



## SSA-424A

### Dual Digital Hybrid

The SSA-424A Dual Digital Hybrid interfaces two 2-wire intercom lines to two 4-wire lines. Unlike earlier analog hybrids, the SSA-424A features advanced digital signal processing to achieve automatic nulling of the 2-wire lines. Plus, each hybrid features convenient peak-reading level meters to quickly match the levels between the lines that are being interfaced. The result is easy and accurate setup. With the SSA-424A, all need for test tones, nulling adjustments and ducking adjustments have been eliminated.

Compatible 2-wire intercom systems include RTS<sup>™</sup> TW, Audiocom<sup>®</sup>, and Clear-Com<sup>™</sup>. Compatible with 4-wire intercom systems. An internal call signal option board is also available for the SSA-424A. This option board provides call signal compatibility with any of the 2-wire systems listed above. The output can also be directly connected to an ADAM or Zeus GPI port. No external circuitry is required.

With features like digital signal processing, peak-reading level meters and optional call signal interfacing, the SSA-424A Dual Digital Hybrid assures ease of setup and maximum transparency between intercom systems.

### Features

#### Two Independent Hybrids

Interface two separate 2-wire lines to two separate 4-wire lines.

#### Automatic Nulling

Digital hybrids eliminate all nulling and ducking adjustments. Quick, trouble-free setup. Puts an end to concerns about echo and feedback when interfacing 2-wire lines.

#### Peak Reading Level Meters

Quick and accurate visual level adjustment. No extra setup equipment or guesswork is required.

#### Direct ADAM/Zeus Audio Connection

Accepts standard ADAM/Zeus DB9 or RJ11 keypanel cables.

#### Transformer Isolated

All audio inputs and outputs are transformer isolated to prevent ground loops and hum.

#### Call Signal Option

Accepts call signal formats from all compatible 2-wire systems. For 4-wire systems, generates NC and NO relay contacts and also +5VDC for received 2-wire call signal generation. Can be direct-wired to an ADAM or Zeus GPI.

#### Half-rack Wide, 1RU High

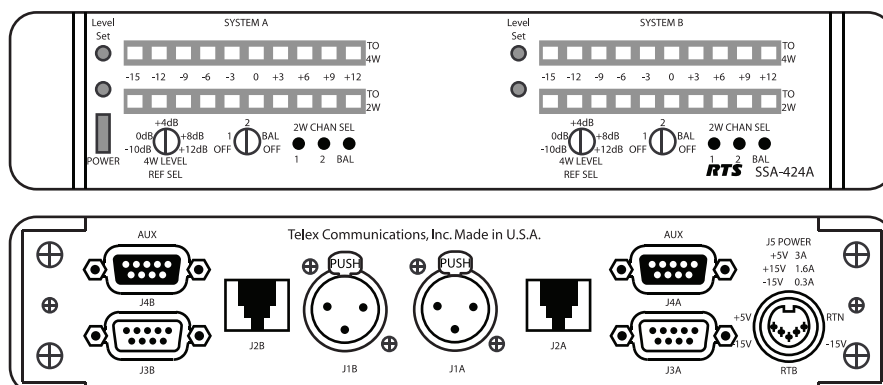
Two SSA-424A's fit into a single rack space. Compatible with RTS<sup>™</sup> TW rack mount hardware. Can be mixed with other TW equipment.\*

#### Universal Power Pack

Ready for worldwide use. Automatically accepts any voltage from 100-250 VAC, 50/60 Hz. Power pack equipped with locking DIN connector for attachment to the SSA-424A.

#### Clear-Com<sup>™</sup> Compatible

### Line Drawings



# SSA-424A Specifications

## 2-Wire Ports

Input/Output Impedance: 5,000 ohms, nominal  
Operating Level: -10dBu to 0dBu, nominal  
Level Adjustment Range:  $\pm 12$ dB

## 4-Wire Ports

Input Impedance: 10,000 ohms, nominal  
Output Impedance: 200 ohms  
Operating Level: -10dBu, 0dBu, +4dBu, +8dBu, +12dBu

## System to System

Frequency Response: 200Hz to 5kHz,  $\pm 3$ dB  
Signal-to-Noise Ratio (Ref 1kHz, 0dB @ 2-wire): -70dB nominal  
Crosstalk: -80dB nominal

## Environmental

Operating Temperature: -20°C to 50°C (-4°F to 122°F)  
Storage Temperature: -40°C to 85°C (-40°F to 185°F)  
Humidity: 0 to 95%, non-condensing

## Power

100 to 250 VAC, 50/60 Hz, 18 Watts

## Dimensions

1.72" (44mm) high, 8.19" (208mm) wide, 8.0" (204mm) deep

## Weight

5.0 lbs. (2.3kg)

## Finish

Thermoplastic front panel, aluminum case, light gray finish

## Contact Information

Telex® Communications, Inc.  
12000 Portland Avenue South  
Burnsville, MN 55337  
Telephone: (800) 392-3497  
Fax: (800) 323-0498

Form Number: 38110-422  
August, 2005

## Ordering Information

**SSA-424A**  
Dual Digital Hybrid  
Catalog Number: 90007824000

This specifications information is preliminary and is subject to change without notification.  
Brand names mentioned are the property of their respective companies.

