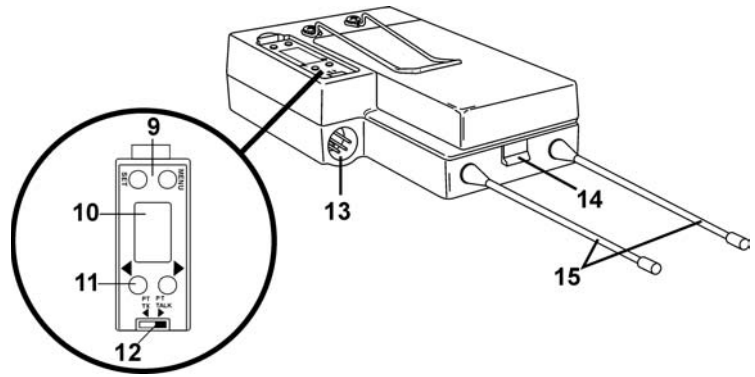
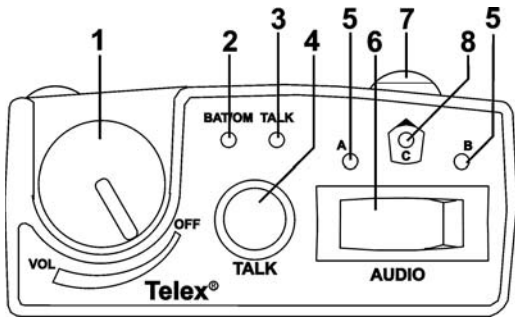


# TR-1 Quick Start Card

## TR-1 Controls and Connections



- On/Off & Volume Control** - Turns the backpack power on and controls headset volume.
- BAT/OM Light-**
  - Battery -**
    - Light flashes on power up = Battery OK
    - Light on continuously = Battery Low
    - Light does not flash or come on = Battery Dead
  - Overmodulation-**
    - Light flashes on loudest speech = Gain OK
    - Light flashes on all speech = Gain too high
    - Light never flashes on loudest speech = Gain too Low
- Talk Light** - Light on if talk button active.
- Talk Button** - Press to enable the audio path from the headset.
  - Selectable modes:
    - Push-to-Talk
    - Push-to-Latch
    - Off
- A and B Lights** - "A" light is on if selection switch in A position. "B" light is on if selection switch in B position.
- Selection Switch-** Switches between base station presets A or B.
- "C" Pushbutton** - Press to enable the base station "C" presets.
  - Selectable modes:
    - Momentary, Latching
    - Quarterback, Off
    - Push-to-Talk, Latching Talk
- "C" Button Light** - "C" light is on if "C" pushbutton active.

9. **[MENU] and [SET] buttons** - Used to select menus and set options on the LCD.

10. **LCD display.**

11. **[UP] and [DOWN] buttons** - Used to select menus and set options on the LCD.

12. **Push-to-Talk/Push-to-Transmit Switch -**

**PT TALK (Push-to-Talk)** - The transmitter is always on. No audio is sent unless the talk button is active. Recommended position.

**PT TX (Push-to-Transmit)** - The transmitter and audio path are off except when the talk button is active.

13. **Headset Connector-** Male XLR connector for Telex units, Female XLR connector for RTS units.

14. **Battery Latch** - Press down to enable the battery pack to be released. While the latch is held down, slide the battery pack about 1/8 inch back, toward the latch, until it stops, then lift out.

15. **Receive and Transmitter Antennas** - The antennas are screw type, 1/4 wave, replaceable antennas. The color dot on the screw end of the antenna must match color dot on antenna receptacle.

### TR-1 Quick Start Procedure




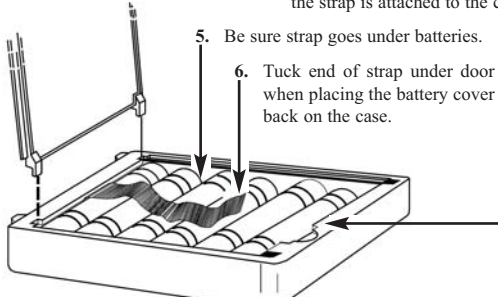
- Press [MENU] as powering-up the base station. (Sets unit to Group 01, TX Channel A, RX Channel 01).
- Press [MENU] as powering-up the backpack. (Sets unit to Group 01, RX Channel A, TX Channel 01).
- Press [MENU] until you arrive at the encryption code screen. Hit [SET] to begin editing the 4-digit encryption code. Set the code that you wish.
- When finished with the encryption code, press and hold [MENU] + [▲] for 3 seconds on the backpack. Then set the 4-digit base serial number on the backpack's display. (Sets backpack encryption to only communicate to that base station, no matter how the encryption code is set).
- At the base station, set the 4-digit encryption code to match the backpack.
- The base should now indicate a battery voltage and signal strength indicating the base and backpack are communicating.
- Plug a headset into the base and backpack. Adjust the microphone gain so the overmodulation light flashes red only on the loudest speech.

### Special Key Functions

- ClearScan** . . . . . Press and hold [MENU] + [SET] buttons for 3 seconds to enter the ClearScan type select. Select from: scan for best group, scan within a group or scan band.
- Lockout** . . . . . Press and hold [▲] + [▼] buttons for 3 seconds. Repeat to toggle it off/on.
- 1st Use Default** . . . Press [MENU] as powering-up the backpack. Sets backpack on Group 01, TX channel 01, RX channel A. All user-programmed memory is retained.
- Factory Default** . . . Press and hold [MENU]+[SET]+[▲]+[▼] for 3 seconds. All user-programmed memory is erased. Sets backpack on Group 01, TX channel 01, RX channel A and all settings change to factory settings.
- Software/Ch Maps** . . . Press and hold [▼] for 3 seconds. The software version of the backpack will be displayed for as long as the [▼] arrow is held. When released, the RX channel map version will be displayed for 1 second then the TX channel map for 1 second.
- Base Serial Number** . . . . . Press and hold [MENU] + [▲] for 3 seconds in the encryption set screen.
- Auto Program** . . . . . Press and hold [▲] for 3 seconds. Allows user to turn auto frequency programming of the backpack from the base on or off.
- Button Modes**
- Talk Button** . . . . . Press and hold [SET] then press the talk button. Set talk button to desired function: latching, off, or push-to-talk.
- "C" Button** . . . . . Press and hold [SET] then press the "C" button. Set "C" button to desired function: momentary, latching, quarterback, off, push-to-talk, latching talk.

### Battery Installation

Ensure that the On/Off volume control knob is turned off. Press and hold down the battery release latch, slide the battery pack about 1/8 inch back, toward the latch, until it stops. Then lift battery pack out. Replace batteries as follows:

- Open the battery pack by inserting finger nail and lifting. 
- Pull battery strap to remove low or dead batteries. 
- Load new batteries following the polarity as shown in battery case. 
- Start loading at the end of the case where the strap is attached to the case.
- Be sure strap goes under batteries.
- Tuck end of strap under door when placing the battery cover back on the case. 

**WARNING**  
Do not place an alkaline TR battery pack in any battery charger. Severe charger and battery pack damage may result.