

# AUDIOCOM®

## 1-3/4" High Rack Mount Kits

### Instruction Sheet

#### GENERAL DESCRIPTION

These kits are specifically designed for use with the 1-3/4" high rack mounted Telex® Audiocom® equipment. This equipment is installed in standard 19" wide racks. There are three different size rack mount kits, and each is available in either black or gray.

#### KIT NUMBERS VS. SIZE VS. COLOR

EQUIPMENT WIDTHS	MOUNTING KIT PART NUMBERS	
	BLACK	GRAY
Single 112-rack unit	9000-7352-000	9000-7352-001
Double 1/2-rack unit	9000-7353-000	9000-7353-001
Single 1/2-rack unit with single 1/4-rack unit	9000-7354-000	9000-7354-001

#### PARTS LIST

The table below lists all of the parts used in the three different kits. The parts for each complete kit are shown in the figures on the back of this sheet. The Item numbers in the table refer to the balloon callouts shown in the figures.

#### KIT PARTS LIST

ITEM	PART NUMBER	DESCRIPTION
1	9110-7352-000	5-3/8" Rack Mount Bracket, Black
2	9110-7352-002	5-3/8" Rack Mount Bracket, Gray
3	9110-7353-000	1-1/4" Rack Mount Bracket, Black
4	9110-7353-002	1-1/4" Rack Mount Bracket, Gray
5	9160-7352-002	5-3/8" Face Plate, Left, Black
6	9160-7352-000	5-3/8" Face Plate, Left, Gray
7	9160-7352-003	5-3/8" Face Plate, Right, Black
8	9160-7352-001	5-3/8" Face Plate, Right, Gray
9	9160-7353-002	1-1/4" Face Plate, Left, Black
10	9160-7353-000	1-1/4" Face Plate, Left, Gray
11	9160-7353-003	1-1/4" Face Plate, Right, Black
12	9160-7353-001	1-1/4" Face Plate, Right, Gray
13	51845-038	Screw, Pan Hd, 4-40 x 0.25
14	52188-006	Nut, Hex, 4-40
15	57881-001	U-clip
16	700305-000	Fastener, Spring
17	58424-001	Screw, Flat Hd, 4-40 x 3/16
18	700439-000	Bracket, Connector
19	700438-000	Bracket, Support

**NOTE:** Each rack mount bracket may be used in either the left or right position.

#### INSTALLATION

Refer to the figures on the **back** of this sheet.

##### Single 1/2-Rack Unit

1. Remove two of the existing cover mounting screws from each side of the equipment. (Do not remove the cover.)
2. Use the screws (13) provided to fasten the rack mount bracket and support brackets (19) to the equipment chassis.
3. Use the nut (14) provided to mount the 5-3/8" face plates and support brackets (19) to the rack mount bracket.
4. Use existing rack mount screws to install the equipment and bracket assembly into the rack.

##### Multiple 1/2 & 1/4, and 1/2 & 1/2 Rack Units

1. Remove two of the existing cover mounting screws from one side of each piece of equipment. (Do not remove the covers.)
2. Use the screws (13) provided to fasten the rack mount bracket and support brackets (19) to the equipment chassis.
3. When only standard depth units are used, install the U-clips (15) provided into the slots on the bottom and rear of the units, then use the screws (17) provided to install the connector brackets (18) on the top and bottom of the units.

When deeper units are used with standard depth units, first use a screw (13) to mount the spring fastener (16) onto the side of the deeper unit, then slip the rear of the standard unit under the spring fastener. Install the U-clip (15) into the slot on the bottom of the units, then use the screws (17) provided to install the connector brackets (18) on the top and bottom of the units.

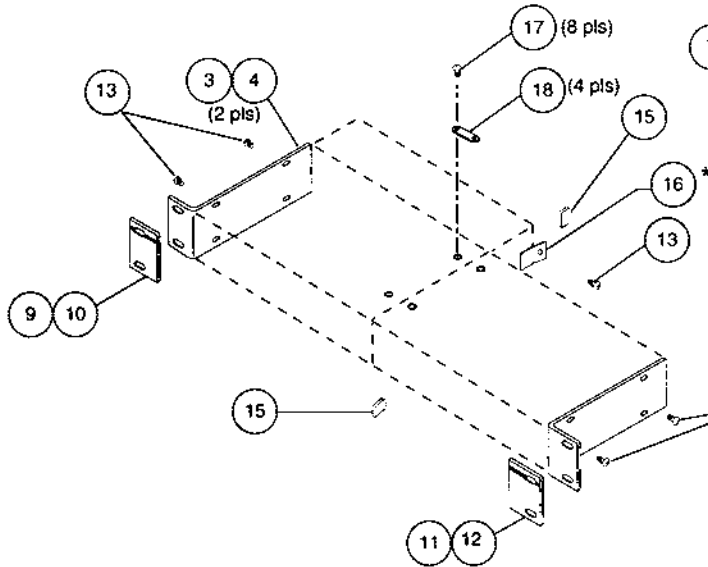
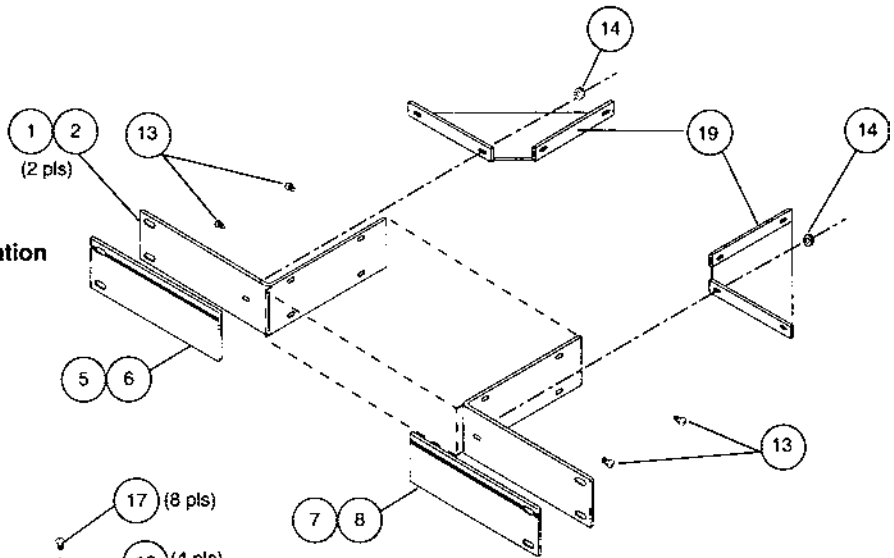
4. Use the nut (14) provided to mount the 5-3/8" face plate and support brackets (19) to the rack mount bracket.
5. Hold the 1-1/4" face plate in place and use existing rack mount screws to install the equipment and bracket assembly into the rack.

#### REMOVAL

To remove the U-clips (15), the units must be out of the 19" rack and the connector brackets (18) must be removed. Slowly rotate one unit in relation to the other; this action should disengage the U-clips.

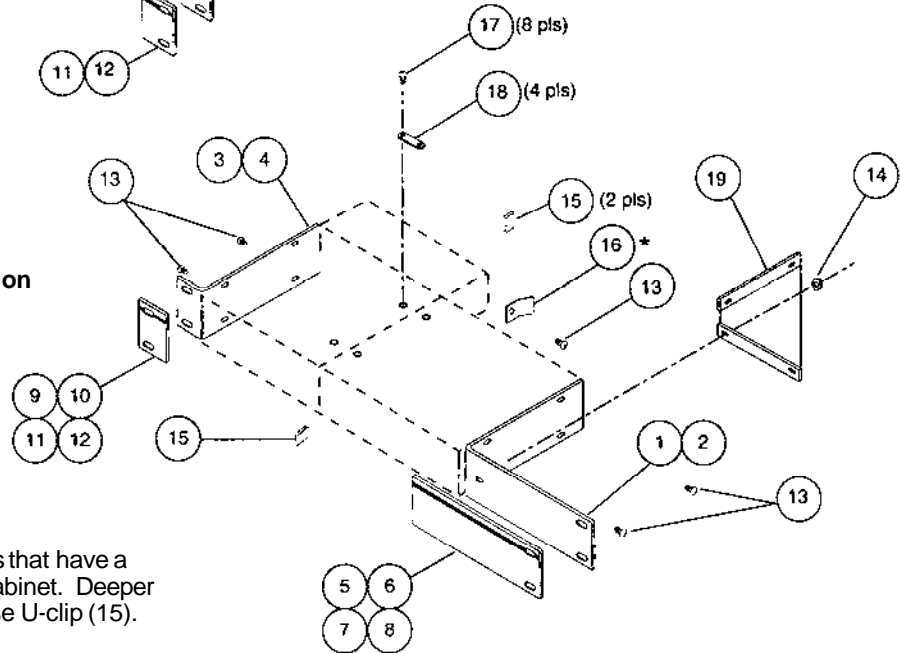
# TELEX®

**Single 1/2-Rack Unit Installation**



**Double 1/2-Rack Unit Installation**

**Combination 1/4-Rack With 1/2-Rack Installation**



\* Item 16 is used with deeper units that have a screw hole on the side of their cabinet. Deeper units without a screw hole will use U-clip (15).

**TELEX®**

TELEX COMMUNICATIONS, INC. • 12000 Portland Ave. S., Burnsville, MN 55337 U.S.A.  
Telephone 952-884-4051 • telex 6879045 Telexcom • Facsimile 952-884-0043