

Technical Data Sheet

Model PH-150 and PH-150R Earset

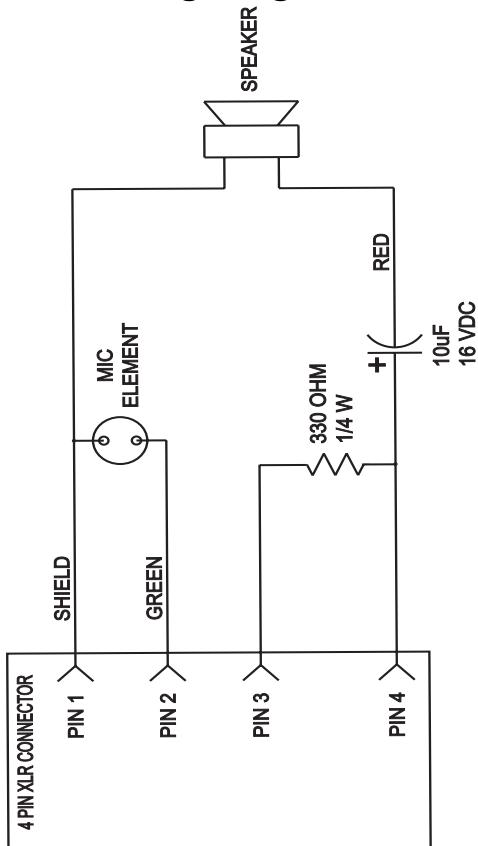


The model PH-150 / PH-150R earclip is a simple and comfortable alternative to the headband headsets ideal for hands free use. The adjustable mouthpiece allows the user to adjust the microphone for personal preferences.

Key Features:

- Comfortable earclip style headset for unobstructed use.
- Flexible boom position for ease of use.
- High performance noise-canceling electret microphone.

Wiring Diagram



Specifications

Headphone:

Frequency Response 20 Hz to 10KHz
 Impedance 150 Ohms
 Sensitivity 100 dB @ 1KHz

Microphone:

Element Type Electret
 Frequency Response 100 Hz to 10KHz
 Sensitivity -56 dB±2dB
 Impedance 2200 Ohms

Cordage:

Straight 1.2 m

Weight:

Gross Weight (approx.) less than 1oz

Parts List

Item No.	Description	Qty.	Part No.
1	M/F Plug Converter*	1	539171-020
2	Windscreen	1	57013-001
3	Earbud Cushion Cover	12	59840-006

*The M/F Plug Converter comes with model PH-150R Earset only.

Ordering Information

PH-150	Earclip style, 4 pin female connector	Catalog no. 301358-000
PH-150R	Earclip style, 4 pin male connector	Catalog no. 301358-001

Technical Data Sheet

Model PH-120 and PH-120R Earset



The model PH-120 / PH-120R earset is simple and comfortable, as well as a discreet headset option, using an earplug with in-line clip-on microphone. The microphone, which is omni-directional has a built-in cough switch, puts no limitations on the user. Weighing less than 2 ounces, this earset gives the freedom of maneuverability and comfort.

Key Features:

- Earset style speaker.
- Clip-on, omni-directional microphone.
- Built-in cough switch.
- Lightweight components (less than 2 ounces)

Parts List

Item No.	Description	Qty.	Part No.
1	4 pin XLR female connector	1	35320-004
2	4 pin XLR male connector	1	35398-004
3	Earbud cushion cover	12	59840-006

Specifications

Earphone:

Frequency Response 300 Hz to 5KHz

Impedance 32 Ohms

Sensitivity 100 dB @ 1KHz

Microphone:

Frequency Response 20Hz to 20KHz

Sensitivity -60 dB@ 1KHz

Impedance 2K Ohms

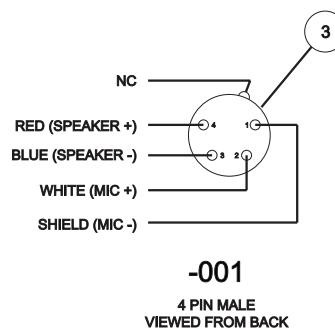
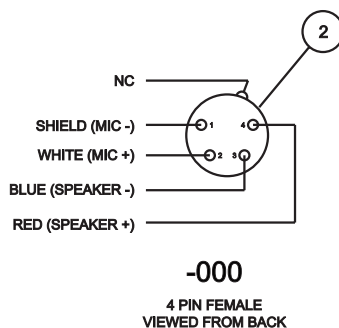
Cordage:

Straight 1 m

Weight:

Gross Weight (approx.) less than 2oz.

Wiring Diagram



Ordering Information

PH-120 EARSET

PH-120	Earset, earplug, inline microphone, 4 pin female connector	Catalog no. 301361-000
PH-120R	Earset, earplug, inline microphone, 4 pin male connector	Catalog no. 301361-001