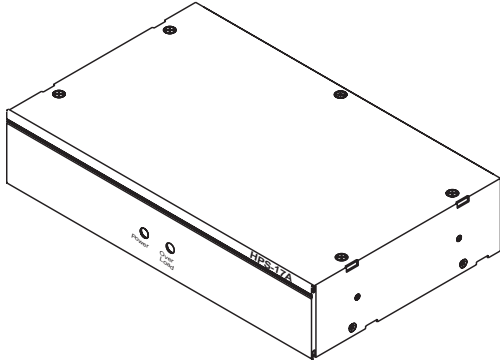
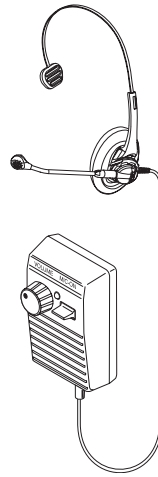


Audiocom®

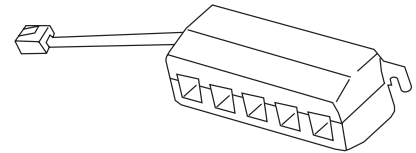
SERIES 17 INTERCOM SYSTEM USER INSTRUCTIONS



HPS17A Power Supply



**HCA17A User Station
(with Attached HST17A Headset)**




HSB17 Modular Splitter

Connections

1. Plug the HPS17A Power Supply into an AC outlet.
2. When using less than 5 HCA17A User Stations:
Connect the user stations directly to the HPS17A Power Supply using modular line cords.

When using 5 to 8 HCA17A User Stations: Connect an HSB17 Modular Splitter to any one of the jacks on the back of the HPS17A Power Supply. Then, use modular line cords to connect 5 HCA17A User Stations to the Modular Splitter. Connect User Stations 6 to 8 to the remaining jacks on the back of the power supply.

 The HPS17A Power Supply may be mounted in an equipment rack with optional rack mounts. See reverse side of sheet for further information.

Operation

1. Turn down the HCA17A listen VOLUME control to less than half way before putting on the headset. Then, readjust the control as desired during intercom use.
2. Put on the headset. Adjust the headband and microphone for proper fit.
3. To turn the microphone on for continuous conversation, place the MIC-ON switch in the up position. Return the switch to the center-off position to turn off the microphone.

For momentary, push-to-talk, microphone operation, hold the MIC-ON switch in the down position to talk. Then, release the switch when finished talking and it will return to the center-off position.

4. The HPS17A Power Supply has an overload protection circuit which typically will only operate if there is a short circuit in one of the line cords. In this case, the Over Load light will turn on and intercom communication will stop. Locate the problem cord by unplugging each cord in turn until the Over Load light turns off. Repair or replace the defective cord.

Headset Replacement Instructions

1. Set the VOLUME control all the way to the minimum position.
2. Pull off the VOLUME control knob.
3. Set the MIC-ON switch to the center-off position.
4. Remove the four screws from the back of the user station (two of which hold the belt clip in place).
5. Pull off the front cover.
6. Note the headset connections on the circuit board, then disconnect the headset.
7. Connect the new headset to the user station.
8. Reassemble the front cover, making sure the headset cord strain relief is properly installed.
9. Reinstall the belt clip and the back cover screws.

Accessories

- **HSB17 1x5 Modular Splitter.** Plugs into one of the intercom station jacks on the back of the HPS-17A Power Supply. Provides 5 connectors for intercom stations. (Note: You can connect up to 4 stations without the splitter, and up to 8 stations when using the splitter).
- **HYB17, HYC17, and HYD17 Modular Line Cords.** Convenient prefabricated cords in several lengths to connect intercom stations.
- **Audiocom RMK-S, Single-unit Rack Mount Kit:** Mounts a single half-rack wide unit, such as the HPS17A Power Supply, in a standard 19" equipment rack.
- **Audiocom RMK-D, Dual-unit Rack Mount Kit:** Mounts two half-rack wide units in a side-by-side configuration.

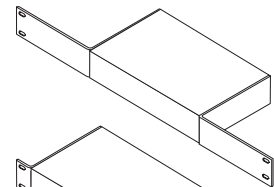
Ordering Information

Description	Cat. Number
HPS17A Power Supply, 110 VAC	9000-7663-000
HPS17A Power Supply, 220/240 VAC	9000-7663-001
HCA/HST17A User Station with Headset	9000-4170-01
HCA17A Replacement User Station (no headset included)	9000-3571-01
HST17A Replacement Headset Only	3000650-108
HSB17 1 X 5 Modular Splitter	2013-0038-00
HYB17 Modular Line Cord, 25' (7.6 m)	2508-0007-00
HYC17 Modular Line Cord, 50' (15.2 m)	9000-4466-00
HYD17 Modular Line Cord, 100' (30.4 m)	9000-4467-00
RMK-S Single-unit Rack Mount Kit	9000-7352-000
RMK-D Dual-unit Rack Mount Kit	9000-7353-000

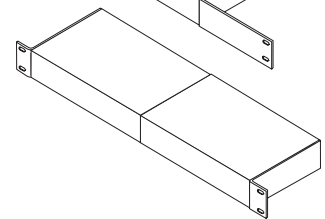
Specifications

General	
Temperature Range	Operating: 0 to 50 degrees C Storage: -55 to 125 degrees C
Humidity Range	0% to 90%, non-condensing
HPS17A Power Supply	
Mains Input Power	110 VAC, 60 Hz, 32 VA 115 VAC, 60 Hz, 32 VA 230 VAC, 50 Hz, 32 VA
Output Voltage	No Load: 24 VDC Full Rated Load: 17 VDC Maximum Load: 14 VDC
Output Current	Full Rated Load: 0.74 Amps Maximum Load: 1 Amp Current Limiting Initiate: 0.5 Amps
Output Line Impedance	200 ohms
Frequency Response	75 Hz to 20 kHz, +0/-3 dB
Output Noise (Ref: 2 volt p-p nominal level)	-55 dBV
Maximum Operating Line Capacitance	0.3 microfarad
Construction and Finish	Aluminum, black finish with gold letters.
Dimensions	1.90" high x 8.00" wide x 5.50" deep (48.3 mm x 203.2 mm x 139.7 mm)
Weight	Approximately 2.25 lbs (1 kg)
HCA17A Headset Station	
Input DC Voltage	2-wire line: 18 to 35 VDC 3-wire line: 14 to 35 VDC
DC Current Draw	Quiescent: 20 to 40 mA Operating: Approximately 50 mA
Bridging Impedance	10,000 ohms, typical
Noise Contribution to 200-ohm line	One HCA17: -75 dBu Two HCA17s: -67 dBu
Construction and Finish	ABS plastic, black finish with gold letters
Dimensions	Housing: 1.20" high x 2.25" wide x 3.6" deep (30.5 mm x 57.2 mm x 91 mm) Overall: 1.75" high x 2.25" wide x 3.6" deep (44.5 mm x 57.2 mm x 91 mm)
Weight	4 oz (112 g)

RMK-S Single-Unit Rack Mount Kit
for one 1/2-rack wide Audiocom component*



RMK-D Dual-Unit Rack Mount Kit
for two 1/2-rack wide Audiocom components*



Audiocom Rack Mount Kits for the HSP17A