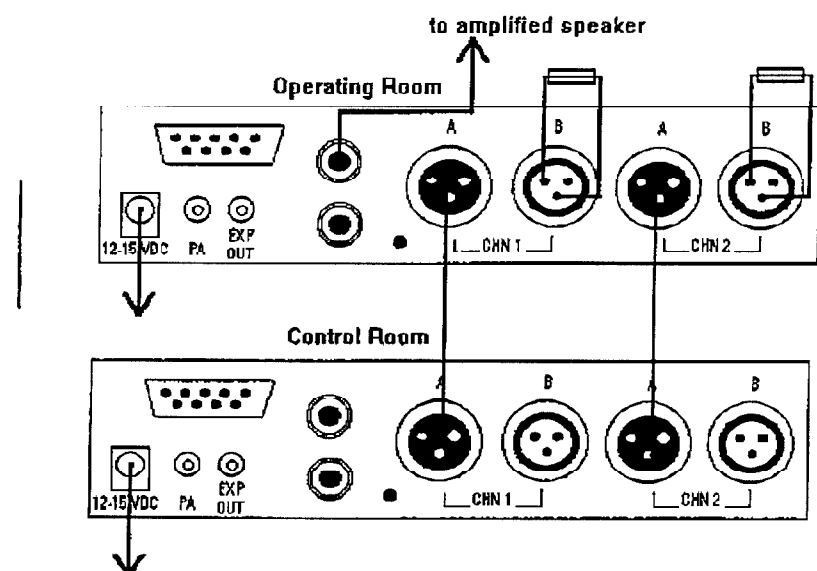
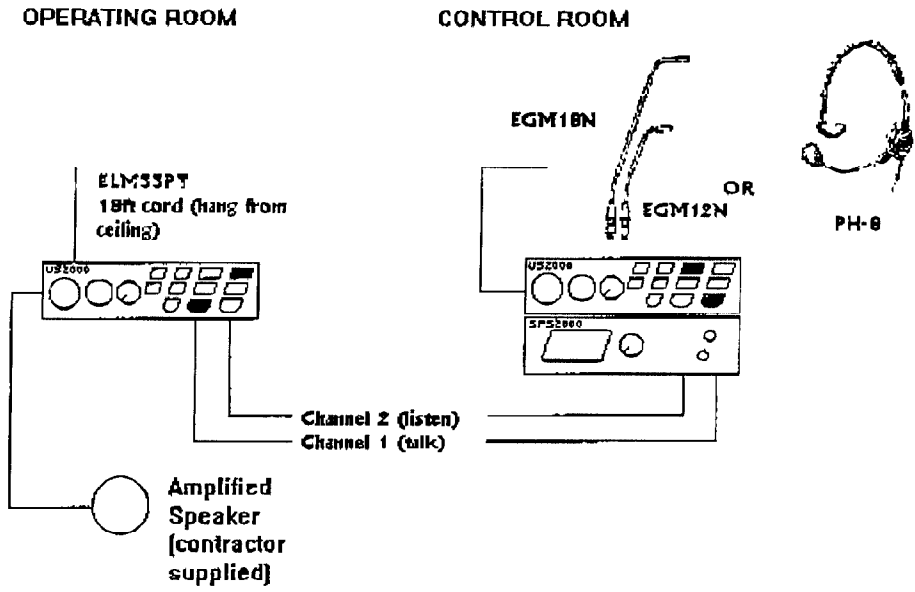


TELEX HOSPITAL CATH LAB DIAGRAM USING AUDIOCOM MODULAR PRODUCTS



Post-it® Fax Note 7671

Date	# of pages
To: <i>[Signature]</i>	From:
Co./Dept.:	Co.:
Phone #:	Phone #:
Fax #:	Fax #:

8294377

