

Telex[®] Technical Data

Models 450D & NC450D Dynamic Microphones



Model 450D

Model NC450D

General Description

Telex Models 450D and NC450D Dynamic Microphones are designed for voice-paging applications requiring a rugged hand-held microphone.

The 450D is a low-impedance, balanced-line dynamic microphone that provides smooth, peak-free response and trouble-free performance. The rugged design makes it particularly effective for use in busy environments (e.g. manufacturing and restaurants) where excellent voice response characteristics in a microphone are required.

The NC450D is a noise canceling design that makes it particularly effective for use in noisy locations, and the excellent voice response characteristics make it a good choice in quiet areas as well.

Design Features

The NC450D microphone contains a shock-mounted dynamic, differential type cartridge which discriminates and cancels distant sounds and noise in favor of voice inputs spoken close to the microphone. The 450D features a standard omnidirectional shock-mounted dynamic cartridge. Output impedance on both models is 200 ohms for matching low impedance input circuits. A push-to-talk switch is located on the microphone housing. The black microphone housings are constructed of molded ABS plastic, which will withstand the day-to-day abuse of hand-held mobile microphone applications. The NC450D includes a soft rubber lip guard which assures the user of correct microphone-to-mouth positioning.

NOTE

Always talk close to the microphone, with the edge of the lip guard just touching the upper lip. This is important because the noise-canceling feature accepts close sounds best and discriminates against sounds greater than 1/2-inch (12 mm) away.

The units are equipped with an unterminated black neoprene coil cord which is relieved at the housing by a spring-type strain relief. In addition, the microphones are equipped with a hanger button, and supplied with standard dashboard mounting bracket and hardware.

Specifications

Type:

NC450D: Noise-canceling dynamic
450D: Dynamic, omnidirectional

Response: 100 Hz to 8 kHz

Output Level at 1 kHz:

NC450D: Open Circuit: -85 dB (ref: 0 dB = 1V/ μ bar)
Power Level: -64 dB (ref: 0 dB = 1 mW/10 μ bar)
450D: Open Circuit: -79 dB (ref: 0 dB = 1V/ μ bar)
Power Level: -58 dB (ref: 0 dB = 1 mW/10 μ bar)
EIA Sensitivity: -151 dB

Impedance: 200 ohms

Switch: Two-position momentary slide. Normally open microphone contacts.

Cable: Unterminated, four-conductor, two shielded, black neoprene, coiled cord. 12 inches (304 mm) retracted, 6 feet (1.8 m) extended.

Color: Black, pebble-grain finish.

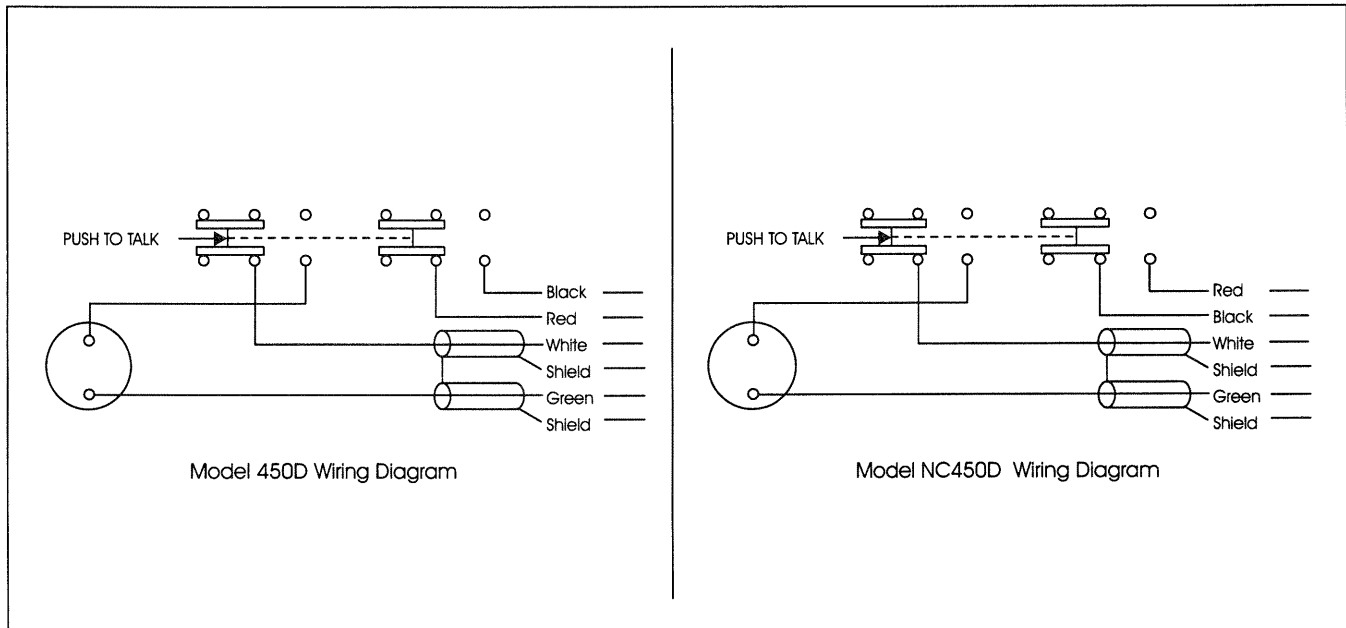
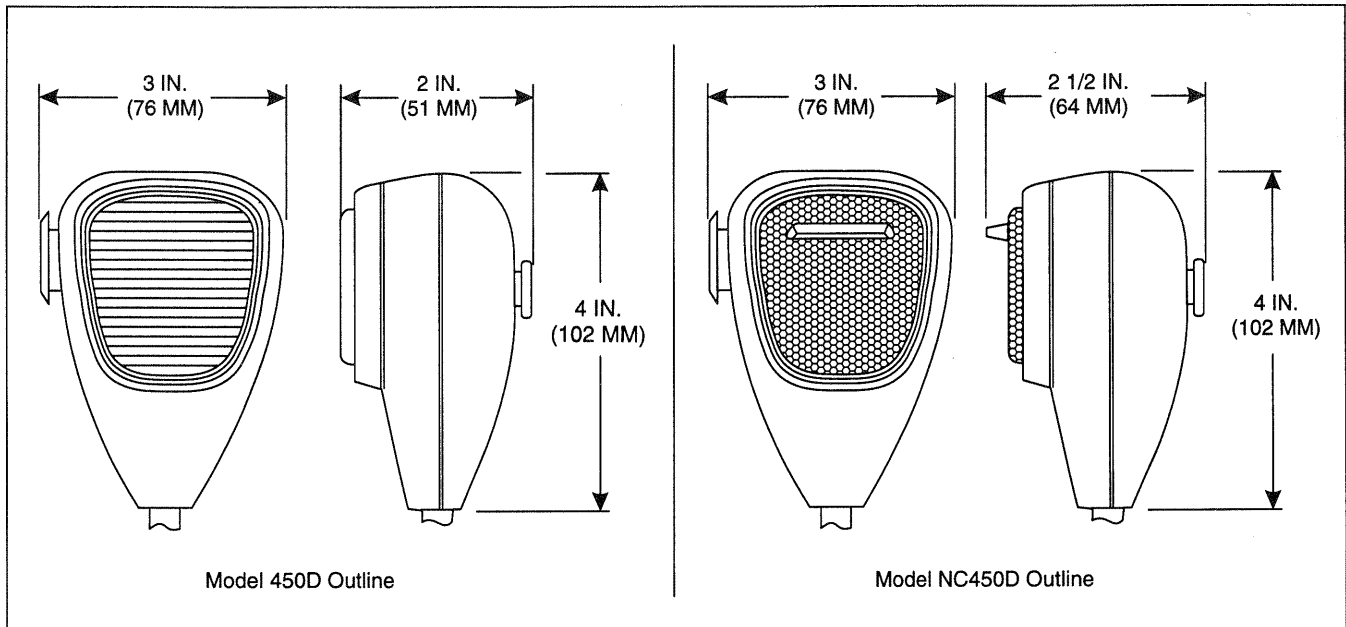
Hanger Bracket: Nickel-plated spring steel

Weight: 9 ounces (225 g)

© Telex Communications, Inc.: December 1995

TELEX[®]

Specifications subject to change without notice.



Ordering Information

Model 450D	Catalog No. 47000
Model NC450D	Catalog No. 47005
Replacement Hanger with Hardware	Catalog No. 02506
Replacement Element	Catalog No. 02189

TELEX®

Telex Communications, Inc. • 9600 Aldrich Ave. So. • Minneapolis, MN 55420 U.S.A.