



IC-6SX

Source Assignment Panel

The IC-6SX is a 6 IN by 12 OUT routing switch (albeit a completely passive one) - not much different from a jackfield. With this panel, six channels of intercom from a master station can be assigned to any of 12 output lines. Those output lines can go to almost any type or group of intercom stations, from single channel beltpacks to multi-channel user stations. By the simple action, a person can slide switches on the IC-6SX to different positions and combine or isolate any intercom stations in any combination.

On one day there may be six separate groups of beltpacks doing six separate tasks on six separate channels. With the simple slide of switches, an operator can reconfigure the system into three groups of four, or a group of ten, and a second group of two. Moving beltpacks from one conference to another becomes very easy.

By placing the IC-6SX physically close to the master station, the central operator can receive verbal change requests from any of the intercom users, implement those changes, and then confirm verbally what has been done.

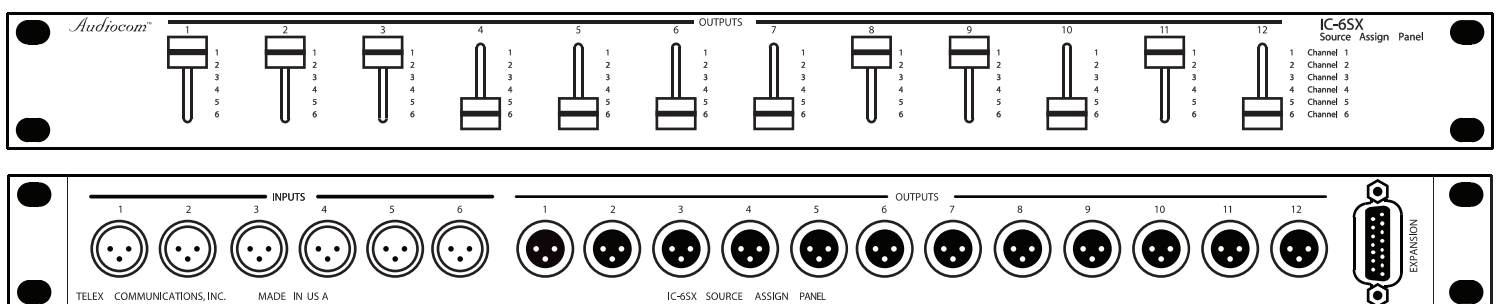
These concepts can be applied to any Audiocom intercom system to add in a degree of flexibility. Unlike a basic system, in which multiple groups of single channel user stations are permanently assigned to each other, the degree of certainty of who will hear, when a person picks up a headset and speaks, in a system is much less.

Features

Passive source assign panel for channel assignment of up to 6 intercom channels to 12 positions - 3-pin XLR

Balanced Audio can be routed for switching audio sources that are not necessarily intercom related.

Line Drawings



IC-6SX Specifications

General

Dimensions

1.75" (44.5 mm) high, 19.0" (482 mm) wide, 3.85" (98 mm) deep

Weight

3.44 lbs (1.55 kg)

Power

N/A

Matrix Type

Passive, Mechanically Switched

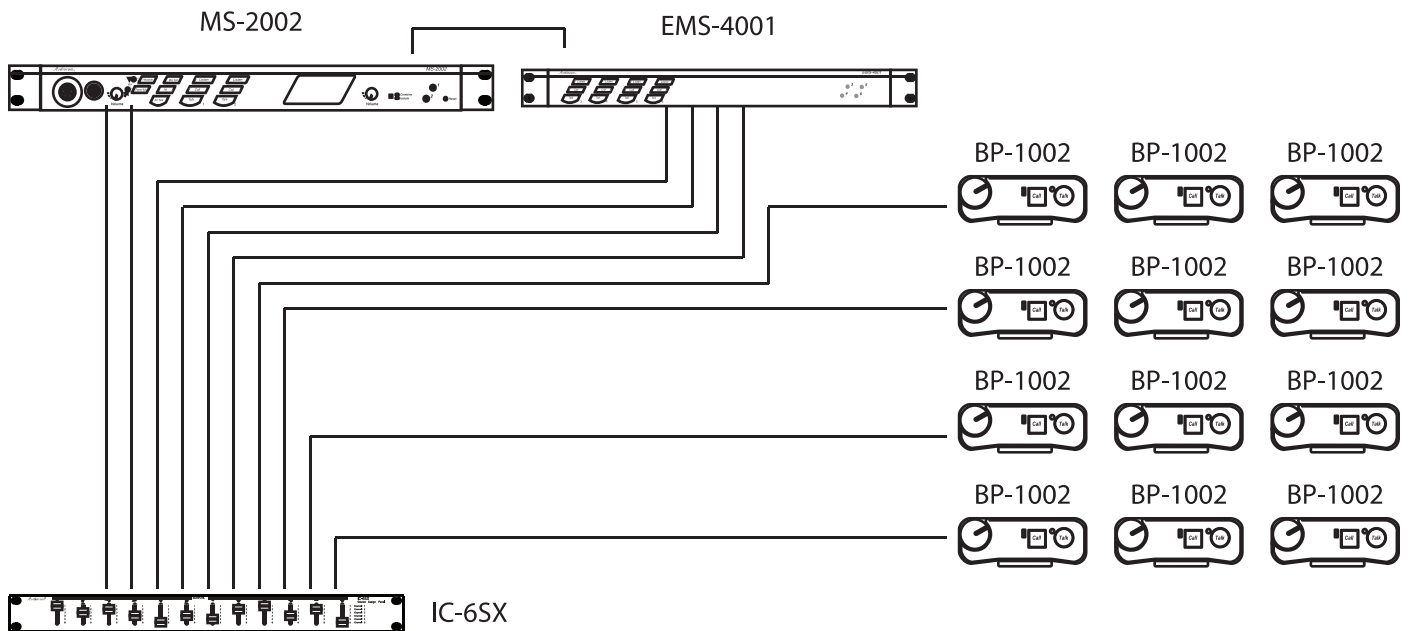
Inputs

6, Balanced, Female XLR type

Outputs

12, Balanced, Male XLR type

System Example



Contact Information

Telex® Communications, Inc.
12000 Portland Avenue South
Burnsville, MN 55337
Telephone: (800) 392-3497
Fax: (800) 323-0498

Form Number: 38110-487
August, 2005

Ordering Information

IC-6SX
Source Assignment Panel
Catalog Number: 90007690000

This specifications information is preliminary and is subject to change without notification.
Brand names mentioned are the property of their respective companies.