

ICW 3&4

S E C U R I T Y C O M M U N I C A T I O N S



The AudioCom™ ICW-3 represent the ultimate in rugged, flexible security communications equipment. The ICW-3 supports both gooseneck microphone and headset operation to accommodate virtually any operational requirement. Unique audio shaping circuitry, state of the art full duplex design and VOX (voice threshold level activation) operation, eliminate frustrating sentence interruptions, garbled communications, and ensure maximum voice intelligibility for greater efficiency and fewer mistakes. Installation is quick and easy with our new two piece, super rugged, maintenance free, polycarbonate package. Choose AudioCom™ for rugged, reliable security communications.

ICW-3

- **Speeds ticket window traffic flow.** No more frustrated customers waiting in long lines. Superior audio quality and level control from our unique audio shaping circuitry ensure maximum voice intelligibility for quick accurate transactions.
- **Reduces costly errors.** Stop wasting money. Improved VOX (voice threshold level activation) and full duplex design eliminate frustrating interruptions in audio for more natural conversations leading to a substantial reduction in costly errors.
- **Gooseneck or headset operation.** Customize your user interface and maximize efficiency with your choice of two hands free operation modes. Gooseneck microphone operation enables users to move freely to access cash drawers or information sheets without being tethered by a headset. Headset operation provides a higher level of privacy and reduces ambient noise levels in multi-user environments.

- **Easy installation and set-up.** Revolutionary new mechanical design concepts incorporated in the ICW-3 make installation easy. Utilize your choice of one 2 1/2 inch hole or five smaller mounting holes. Either way, you'll save precious time and money with the fastest, easiest installation in the industry.
- **Superior audio quality.** You never get a second chance to make a first impression. First contact with your customer is usually at the ticket booth. Crackling, interrupted, garbled audio is not what you want that impression to be. With unique audio shaping circuitry, Improved VOX (voice threshold level activation) operation and natural sounding full duplex design your customers will hear exactly what you want them to.
- **Improved durability.** With all of the things you have to worry about, your security communications system shouldn't be one of them. Super strong high tech polycarbonate fiber resin material makes the ICW-3 virtually indestructible. For years of dependable, maintenance free operation, choose AudioCom.

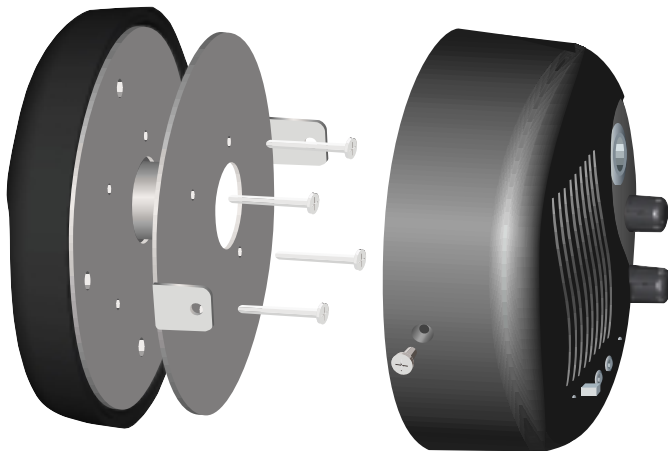
ICW-4

- **Connects to existing intercom.** For live theater and other applications connecting the ticket booth intercom to existing communications systems is essential to keep things running smoothly. The ICW-4 gives you that option. With the ability to seamlessly interface the ICW-3 to virtually every major intercom system available today, you'll always have access to the information you need.
- **Program audio input.** Connect users to show audio, talent cueing feeds or any other audio source you need to keep users informed and able to better serve the customer.

Applications:

Ticket Booths
Gas Station Pay Windows
Toll Booths
Photo Kiosks

Drive Through Banking
Race Track Betting Windows
Hotel/Casino Cashier Windows
Check Cashing Windows



ICW-3 Intercom
Mounting diagram



ICW-4 Intercom
Use in conjunction with ICW-3

Ordering Information

Model No.	Description	Order by Cat.
ICW-3	Intercom	90007686
ICW-4	Intercom Interface	90007687

Distributed by:

All specifications are subject to change without notice.

Telex Communications, Inc.
12000 Portland Avenue South
Minneapolis, MN 55337
1-952-884-4051
www.telex.com

All trademarks are the property of their respective owners.

ICW-3 Specifications

Overall

Power Requirement:	12 to 15 volt DC supply, 150 milliamperes, nominal
System Frequency Response:	200 to 4500 Hz \pm 3dB
Environmental:	Operating and storage temperature: -20 to 55 degrees, Celsius. Humidity: 0 to 90%, non-condensing

Outputs

External Speaker:	2 watt: 100 dB SPL at 1 foot at 1 kHz, C weighting
Internal Speaker:	2 watt: 100 dB SPL at 1 foot at 1 kHz, C weighting <i>Note: These are sine wave maximums, voice measurements will range 70 dB to 90 dB SPL</i>
Headphone:	80mW: 100dB peak SPL; Voice range: 84 to 104 dB SPL, headphone impedance: 25 ohms

Inputs

Internal Panel Microphone:	Electret: 15 millivolts @ 1kHz, typical into 1000 ohms Source impedance: 1 kHz nominal <i>Note: The panel microphone (also called gooseneck microphone) is an optional item.</i>
Internal Headset Microphone:	Dynamic or Electret: range 2 millivolts @ 1 kHz, typical into 1000 ohms. Source impedance dynamic: 200 ohms Source impedance electret: 1000 ohms

ICW-4 Specifications

Overall

Power Requirement:	12 to 15 volt DC supply, 200 milliamperes, nominal (Powers the ICW-3, as well)
System Frequency Response:	200 to 4500 Hz \pm 3dB
Environmental:	Operating and storage temperature: 0 to 55 degrees, Celsius Humidity: 0 to 90%, non-condensing

Output

Headphone:	Headphone impedance: 25 ohms: 31mW: 109dB peak SPL; Voice range: 84 to 109 dB SPL. Headphone impedance: 150 ohms: 15mW: 106 dB peak SPL; Voice range: 81 to 106 dB SPL
-------------------	---

Input/Output

House Intercom:	Printed circuit board switch to select: 1) RTS™ TW™, channels 1 or 2 2) AudioCom™ (balanced) 3) Clear-Com™ (unbalanced, single channel). System levels range from -10 dBu to 0 dBu into 200 to 300 ohms. Unit uses a bilateral current source
------------------------	---

Input

Headset Microphone:	Dynamic or Electret range: 2 to 15 millivolts @ 1 kHz typical into 1000 ohms. Source impedance dynamic: 200 ohms; source impedance electret: 1000 ohms
----------------------------	--

Rear Panel

RJ45	Interconnects to ICW-3
Phone Jack	Miniature 3.5 mm connection for Aux. In Balanced 0dB line level input.
Power Connector:	DC power input, 12 to 15 volts, 150 to 200 milliamperes. Jack: 2.5 mm, center positive.
Intercom Connector:	Connects to House Intercom line.
RTS™ TW™	Pin 1, common; Pin 2, Channel one; Pin 3, Channel two
ClearCom™	Pin 1, common, Pin 2, power, Pin 3, audio
AudioCom™	Pin 1, common, Pins 2,3 balanced audio, phantom power