

6

5

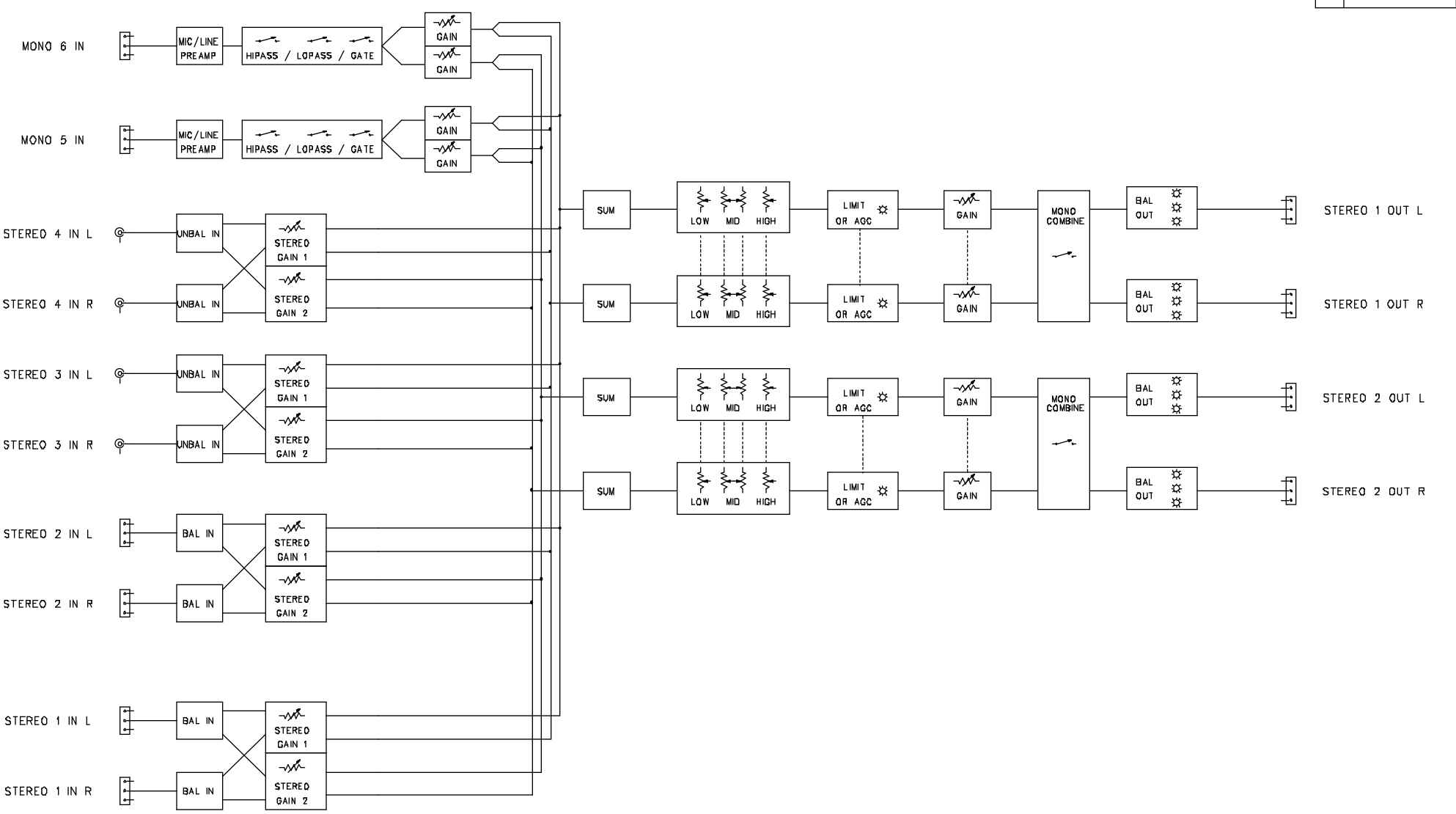
4

3

2

1

REVISION RECORD		
LT#	REVISIONS DONE OR ESD NUMBER	DATE



DRAWN: ba		DATE: 1-27-2000		TITLE: 460 SIGNAL FLOW DIAGRAM		REV: 1,2	
RELEASED:		DATE:		DRAWING NO:		SHEET: 1 OF 1	

SYMETRIX INC.
 14926 35th Avenue West
 Lynnwood, WA 98037-2303 USA