

Expand the size and scope of SymNet Systems.

Would you like to create unified SymNet systems with DSP hardware distributed in widely separated equipment rooms? Are you interested in connecting SymNet hardware with CobraNet equipped devices from other manufacturers?

SymNet CobraLink greatly expands the size and scope of SymNet system designs by offering an audio and data bridge between SymLink and CobraNet.

It's easy to connect SymNet hardware located in separate equipment rooms using CobraLink. Just add one CobraLink per room (see example). This enables the SymNet ring networks to share audio and control data.

The system installer/operator can view and control the entire networked system (using SymNet Designer PC software) from the host computer connected to the master SymNet CobraLink unit.

Under license from Peak Audio, CobraLink uses standard CobraNet implementation, ensuring complete interoperability with other manufacturer's CobraNet devices.

Features

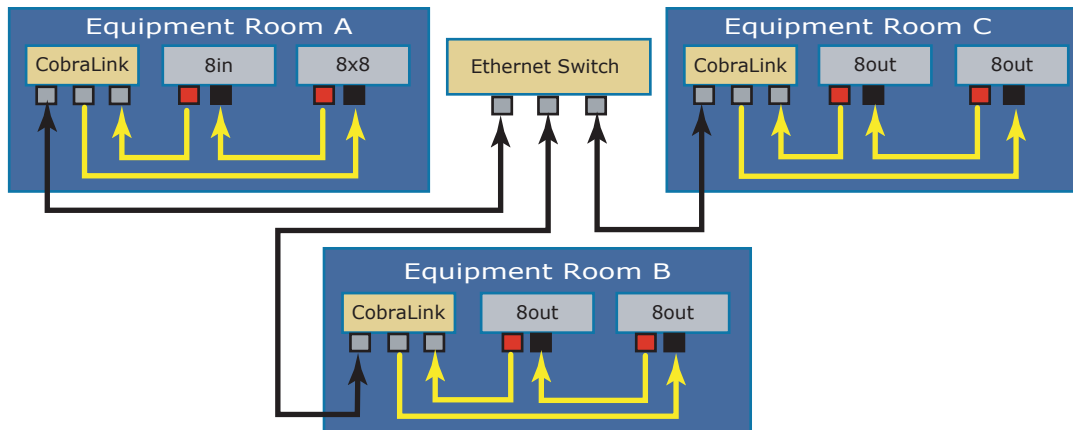
- Provides SymNet system expansion for large scale installations.
- Each CobraLink unit in a system provides an access port for the host computer running SymNet Designer via RS-232 or Ethernet for faster downloads and greater flexibility.
- Easy to configure and operate.
- Easily networked with other CobraNet equipped devices.

Applications

- Stadiums, sports facilities
- Casinos
- Houses of worship
- Convention centers
- Performing arts centers
- Transportation facilities
- Meeting facilities

Technical Highlights

- Exists as a node in a SymLink ring network.
- Maximum CobraNet audio input channels: 32
- Maximum CobraNet audio output channels: 32
- Transmits and receives SymNet control data over CobraNet
- Dynamic Range: 120dB



16 X 40 mixer / router / processor for a sports stadium