

# SONY®

## RACK MOUNT KIT **RMM-10**

**Attention-when the product is installed in Rack:**

**1. Prevention against overloading of branch circuit**

When this product is installed in a rack and is supplied power from an outlet on the rack, please make sure that the rack does not overload the supply circuit.

**2. Providing protective earth**

When this product is installed in a rack and is supplied power from an outlet on the rack, please confirm that the outlet is provided with a suitable protective earth connection.

**3. Internal air ambient temperature of the rack**

When this product is installed in a rack, please make sure that the internal air ambient temperature of the rack is within the specified limit of this product.

**4. Prevention against achieving hazardous condition due to uneven mechanical loading**

When this product is installed in a rack, please make sure that the rack does not achieve hazardous condition due to uneven mechanical loading.

INSTALLATION MANUAL  
1st Edition (Revised 1)



This manual is the installation manual of the rack mount kit RMM-10.  
The RMM-10 is designed to mounted a unit (width : 440 mm) on a 19-inch standard rack.

**Note**

This installation manual explains the standard procedure in mounting a unit into a rack using RMM-10. But then, when mounting the unit into a rack, comply with the instructions in a manual for installing the unit. (The specially mounting procedure and/or typical notes of the unit may be explained in the manual.)

**CAUTION**

- As for the RMM-10, the mass of a rack mountable unit is under 50 kg with safety.  
If 50 kg or over, the unit may fall because of the breakage of the rack mount adaptor.

**Components of RMM-10**

- Rack brackets ..... 2 pieces
- Rack mounting adaptor (right) ..... 1 piece  
[Including two screws (B4 × 6: 7-682-560-09)]
- Rack mounting adaptor (left) ..... 1 piece  
[Including two screws (B4 × 6: 7-682-560-09)]
- Rack bracket fixing screws (B4 × 6: 7-682-560-09) ..... 6 pieces
- Adaptor fixing screws (B4 × 10: 7-682-560-10) ..... 6 pieces

**Required other parts**

To mount the unit on the rack, the following parts are required.

- Screws (RK5 × 16: 7-682-378-04) ..... 4 pieces
- Ornamental washers (2-297-913-01) ..... 4 pieces
- Rock angles (Handles) (When the unit has not it.) ..... 1 pair (left and right)

---

**Notes on Rack Mounting**

**WARNING**

- Fix the rack on the horizontal and firm floor with bolts to prevent it from turning over or moving.  
If the rack overturn due to the weight of the unit, this may cause a death or serious injury.
- After rack mounting, be sure to tighten the screws of the rack angle and fix the unit to the rack.  
If not, the unit may slide and fall from the rack. This causes an injury.

**CAUTION**

Attention when the unit is installed in the rack:

- Mount the unit with two or more persons.
- Be careful not to put your hand in the rack mount adaptor.
- Install in a stable posture.

**Note**

Install a ventilating fan in the rack to prevent the increase in the temperature inside a rack when multiple units are put in one rack.

## Rack Mounting Procedure

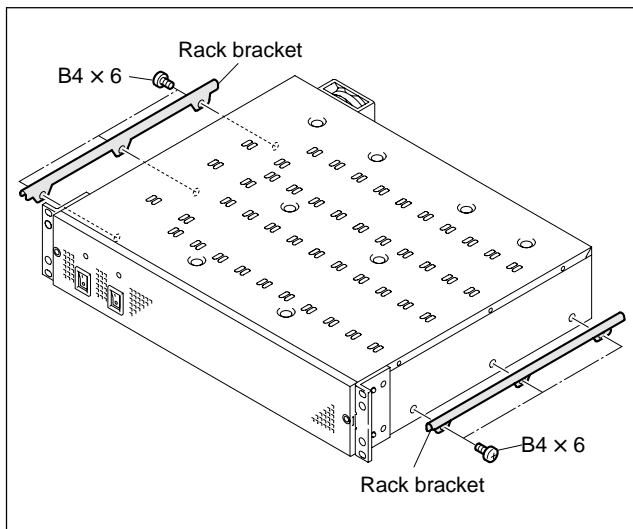
### Notes

- Fasten the screws at the tightening torque below.  
Tightening torque:  $120 \times 10^{-2} \text{ N}\cdot\text{m}$  {12.2 kgf·cm}
- Attach the rack angles (handles) to the unit, before mounting the unit to the rack.

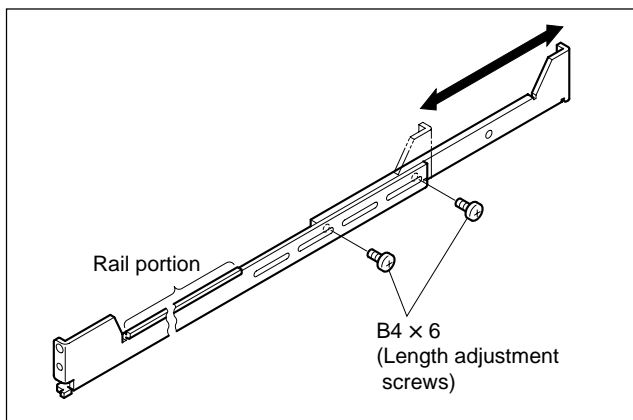
1. Attach the rack brackets in the side panels of the unit with the specified six screws.

### Note

Be sure to use B4 × 6 as a screw.



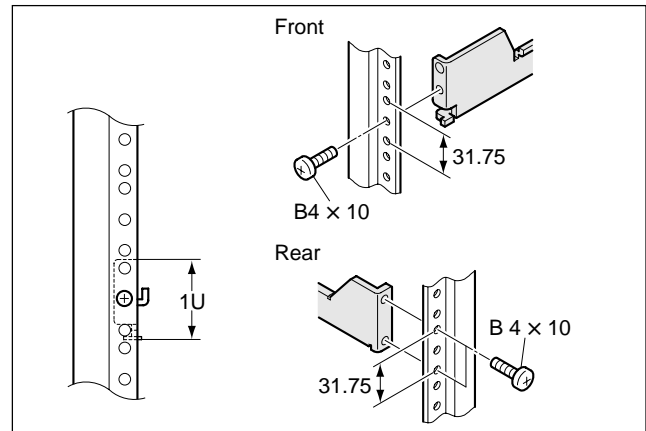
2. Loosen the screws at the rear of the each adaptor, before adjusting each adaptor length to the rack depth. (Following figure is case of left side.)



### Note

The maximum depth of an adaptor is 750 mm.  
The minimum depth of an adaptor is 595 mm.

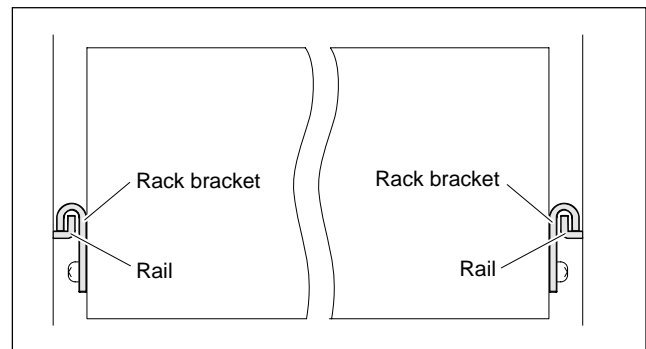
3. Firmly lay the right and left adaptors in the rack with the specified six screws. (Following figure is case of left side.)



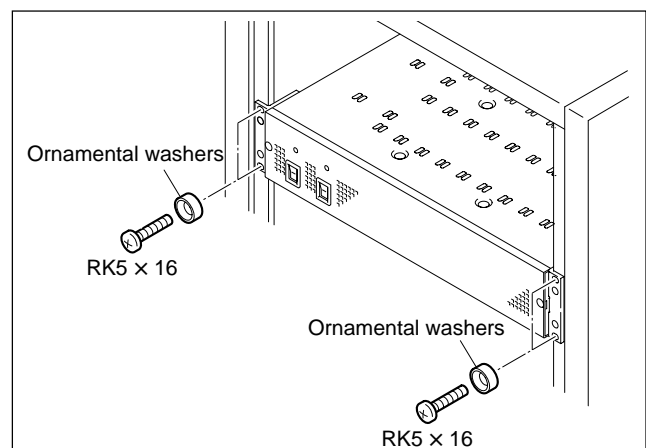
4. Fasten the length adjustment screws which are loosened in step 2.
5. Align the crook of the each rack bracket on the side panels of the unit with the rail, then slide the unit backward.

### Note

Each rack bracket covers the rails as shown in the figure below.



6. Fix the unit to the rack with the specified screws and ornamental washers.





このマニュアルに記載されている事柄の著作権は当社にあります。

従って、当社の許可なしに無断で複写したり、説明内容(操作、保守等)と異なる目的で本マニュアルを使用することを禁止します。

The material contained in this manual consists of information that is the property of Sony Corporation. Sony Corporation expressly prohibits the duplication of any portion of this manual or the use thereof for any purpose other than the operation or maintenance of the equipment described in this manual without the express written permission of Sony Corporation.

Le matériel contenu dans ce manuel consiste en informations qui sont la propriété de Sony Corporation. Sony Corporation interdit formellement la copie de quelque partie que ce soit de ce manuel ou son emploi pour tout autre but que des opérations ou entretiens de l'équipement à moins d'une permission écrite de Sony Corporation.

Das in dieser Anleitung enthaltene Material besteht aus Informationen, die Eigentum der Sony Corporation sind. Die Sony Corporation untersagt ausdrücklich die Vervielfältigung jeglicher Teile dieser Anleitung oder den Gebrauch derselben für irgendeinen anderen Zweck als die Bedienung oder Wartung der in dieser Anleitung beschriebenen Ausrüstung ohne ausdrückliche schriftliche Erlaubnis der Sony Corporation.