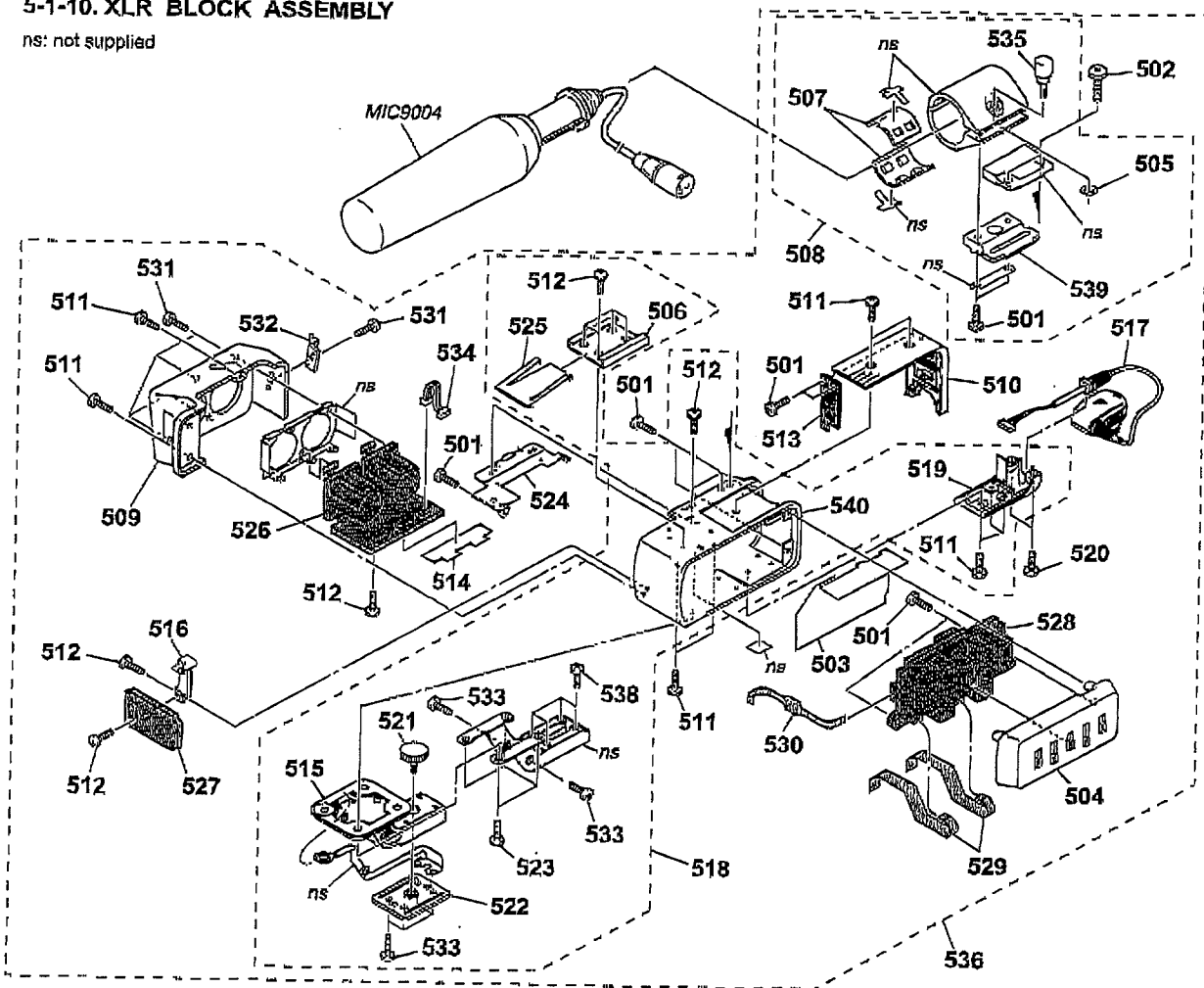


Allen: Scott



5-1-10. XLR BLOCK ASSEMBLY

ns: not supplied



Ref. No.	Part No.	Description
501	3-080-205-21	SCREW, TAPPING, P2
502	7-682-549-09	SCREW +B 3X10
* 503	3-060-814-01	INSULATED PLATE, SW
504	X-3950-603-8	CABINET (L) ASSY, HANDLE
505	3-165-904-01	WASHER, SCREW STOPPER
506	3-069-286-01	SHOE, ACCESSORY
507	3-608-303-01	RUBBER
508	X-3950-604-5	HOLDER ASSY, MICROPHONE
509	3-060-813-02	CABINET (R), HANDLE
510	X-3952-786-1	REAR SUB ASSY, XL CABINET
511	3-080-203-21	SCREW (M2), LOCK ACE, P2
512	3-080-202-21	SCREW (M2), LOCK ACE, P2
513	A-7078-396-A	XK-001 BOARD, COMPLETE
* 514	3-063-408-01	SHEET, XLR
515	2-634-635-01	FOOT (Ø1020), XL
* 516	3-060-815-01	BRACKET, DD
517	1-830-646-11	CABLE, ENCAPSULATED
518	X-2059-768-1	CABINET (CENTER) ASSY (Ø1020)
519	3-077-773-01	BOTTOM, XL CABINET
520	3-080-204-11	SCREW, TAPPING, P2

Ref. No.	Part No.	Description
521	3-077-767-01	XL KNOB
522	3-077-768-11	XL SHOE PLATE
523	2-067-459-01	SCREW (M2.6 (EG))
524	3-064-629-01	RETAINER (UPPER) D, HOLDER
525	3-688-754-11	SPRING
526	A-7078-398-A	XM-002 BOARD, COMPLETE
527	A-7078-395-A	XD-002 BOARD, COMPLETE
528	A-7078-394-A	XS-002 BOARD, COMPLETE
529	1-678-052-11	FP-217 FLEXIBLE BOARD
530	1-678-053-11	FP-218 FLEXIBLE BOARD
531	3-081-062-11	BOLT (M2.6)
* 532	3-678-684-00	HOLDER, CABLE
533	3-080-206-21	SCREW, TAPPING, P2
534	1-961-917-11	HARNESS (XK-050)
535	3-060-811-21	SCREW (M5)
536	A-1133-621-A	XLR BLOCK ASSY
538	3-080-206-11	SCREW, TAPPING, P2
539	3-060-810-01	BASE, MICROPHONE HOLDER
540	3-077-765-11	XL CABINET CENTER
MIC9004	8-814-298-90	MICROPHONE ECM-NV1