

3CCD Color Video Camera

Instructions for Use _____ **GB**

Mode d'emploi _____ **FR**

Bedienungsanleitung _____ **DE**

Manual de instrucciones _____ **ES**

CE (DXC-390P only)

DXC-390

DXC-390P ExwaveHAD™

Owner's Record

The model and serial numbers are located at the bottom. Record these numbers in the spaces provided below. Refer to these numbers whenever you call upon your Sony dealer regarding this product.

Model No. _____ Serial No. _____

WARNING

To prevent fire or shock hazard, do not expose the unit to rain or moisture.

To avoid electrical shock, do not open the cabinet. Refer servicing to qualified personnel only.

For the customers in the U.S.A.

This equipment has been tested and found to comply with the limits for a Class A digital device, pursuant to Part 15 of the FCC Rules. These limits are designed to provide reasonable protection against harmful interference when the equipment is operated in a commercial environment. This equipment generates, uses, and can radiate radio frequency energy and, if not installed and used in accordance with the instruction manual, may cause harmful interference to radio communications. Operation of this equipment in a residential area is likely to cause harmful interference in which case the user will be required to correct the interference at his own expense.

2 (GB)

You are cautioned that any changes or modifications not expressly approved in this manual could void your authority to operate this equipment.

The shielded interface cable recommended in this manual must be used with this equipment in order to comply with the limits for digital device pursuant to Subpart B of Part 15 of FCC Rules.

For the customers in Europe (for DXC-390P only)

This product with the CE marking complies with the EMC Directive (89/336/EEC) issued by the Commission of the European Community.

Compliance with this directive implies conformity to the following European standards:

- EN55103-1: Electromagnetic Interference (Emission)
- EN55103-2: Electromagnetic Susceptibility (Immunity)

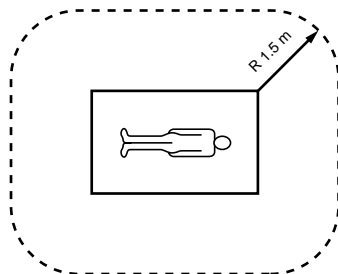
This product is intended for use in the following Electromagnetic Environment(s):

E1 (residential), E2 (commercial and light industrial), E3 (urban outdoors) and E4 (controlled EMC environment, ex. TV studio)

Important safeguards/notices for use in the medical environments

1. All the equipments connected to this unit shall be certified according to Standard IEC60601-1, IEC60950, IEC60065 or other IEC/ISO Standards applicable to the equipments.
2. When this unit is used together with other equipment in the patient area*, the equipment shall be either powered by an isolation transformer or connected via an additional protective earth terminal to system ground unless it is certified according to Standard IEC60601-1.

* Patient Area



3. The leakage current could increase when connected to other equipment.

4. This equipment generates, uses, and can radiate frequency energy. If it is not installed and used in accordance with the instruction manual, it may cause interference to other equipment. If this unit causes interference (which can be determined by unplugging the power cord from the unit), try these measures: Relocate the unit with respect to the susceptible equipment. Plug this unit and the susceptible equipment into different branch circuit. Consult your dealer.
(According to Standard EN60601-1-2 and CISPR11, Class B, Group 1)

Caution

When you dispose of the unit or accessories, you must obey the law in the relative area or country and the regulation in the relative hospital.

Table of Contents

Chapter 1

Overview

Features	6
Location and Functions of Parts and Controls	8
Front Panel/Top Panel/Bottom Panel	8
Right Side Panel (Control Panel)	9
Rear Panel	11

Chapter 2

Operation

Adjusting and Setting with Menus	12
Menu Configuration	12
Operation through Menus	14
Function of Menus	16
Initial Setting of the Menus	31
Shooting	32
Adjusting the Flange Focal Length	32
Basic Shooting Procedure	35
Adjusting the Iris, Focus and Zoom	36
Adjusting the Black Balance	38
Adjusting the White Balance	39
Adjusting the Picture Tone in a Multi-Camera System	41

Chapter 3

Installation and Connections

Installation	42
Applicable Lens	42
Mounting the Lens	43
Mounting a Microscope Adaptor	45
Mounting on a Tripod	45
Mounting to a Wall or Ceiling	45
Basic System Connection	47
Connecting to Video Equipment with Composite Video Input Connectors	48
Connecting to Video Equipment with RGB or S-Video Inputs	50
Connecting Two or More Cameras—Multi-Camera System	51
Connecting to the CMA-D3/D3CE Camera Adaptor	52
Connecting to a Remote Control Unit	53
Operating the Camera with the RM-C950 Remote Control Unit	54
Connecting to a Computer	55
Connections for Long Exposure Shooting	56
Connections for Shooting Using a Flash	57

Chapter 4

Appendix

Precautions	58
Typical CCD Phenomena	59
List of Messages	60
Specifications	61
Optional Accessories	65

Features

High-quality images

- The high density 1/3 type, three-chip Exwave HAD^{TM1)} CCD²⁾, containing some 380,000 (DXC-390) or 430,000 (DXC-390P) effective picture elements (pixels), offers superior picture quality: 800 TV lines of high horizontal resolution, high sensitivity of F8 at 2,000 lx, an excellent signal-to-noise ratio of 62 dB (DXC-390) or 61 dB (DXC-390P) and a low smear level.
- The adoption of the LSI digital signal processing technology reproduces a finer, more detailed picture.
- DynaLatitude processing enables you to adjust contrast finely according to the luminance signal level of each picture element.

- The DCC+ (Dynamic Contrast Control plus) function minimizes the phenomena whereby the whole screen turns white or a part of the image becomes colorless when shooting a very bright object.
- The Partial Enhance function enables you to adjust the sharpness and tint of only a specified color.

Wide Range of Exposure Control

The AGC (Auto Gain Control) function and CCD IRIS^{TM3)} function automatically adjust a wide range of incoming light levels. When the lighting condition is poor, the AGC function automatically increases the gain up to 16 times. When incoming light is excessive, the CCD IRIS function automatically adjusts shutter speed to cut exposure to the

1) Exwave HADTM: Exwave Hole-Accumulated Diode
“Exwave HADTM” is a trademark of Sony Corporation.

2) CCD: Charge-Coupled Device

3) “CCD IRISTM” is a trademark of Sony Corporation.

equivalent of up to 10 aperture stops. When using the video camera in a fixed location or for a microscope system, the AGC, CCD IRIS and auto-iris controls automatically adjust a wide range of incoming light levels. The desired AE window can be set by using the AE AREA MANUAL function.

Wide range of electronic shutter modes

The wide range of speeds for the electronic shutter minimizes blurring in fast-moving objects and produces acceptably bright still images of objects shot in poor light.

- **Flickerless mode:** This mode allows you to obtain flickerless images shot even under fluorescent light.
- **Clear scan mode:** This mode reduces horizontal bands appearing in computer displays when shooting the display with the conventional video camera.

Versatile use with external equipment

- The video camera is equipped with three types of outputs: composite, Y/C and RGB outputs. The camera offers a high-quality picture on a connected monitor or VCR.
- The camera can be remotely controlled with the RM-C950 remote control unit (not supplied).

RS-232C interface

The camera can be controlled from a computer via the RS-232C interface.

For details, contact your authorized Sony dealer.

Compact and lightweight

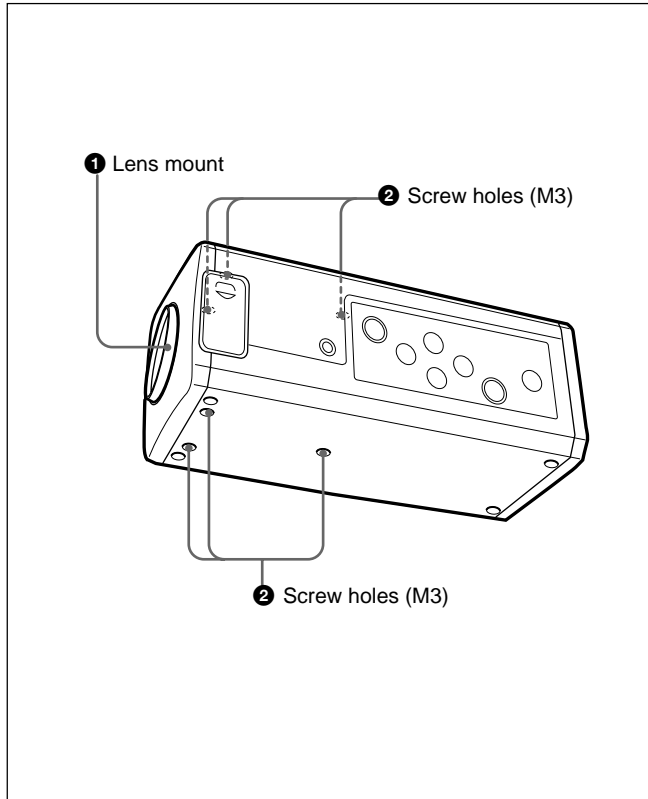
The camera is compact ($56 \times 50 \times 128$ mm ($2\frac{1}{4} \times 2 \times 5\frac{1}{8}$ inches)) and very light (approx. 370 g (13 oz)), allowing easy installation even where space is a problem.

Following are some sample applications:

- As a permanent fixture in theaters, concert halls, etc.
- As a bird's-eye view camera for special events
- As a video conference system camera
- As a camera for microscopes
- As a rooftop weather-monitoring camera
- As a laboratory monitor camera

Location and Functions of Parts and Controls

Front Panel/Top Panel/Bottom Panel



1 Lens Mount (C-mount)

Attach a C-mount lens or microscope adaptor.

Note

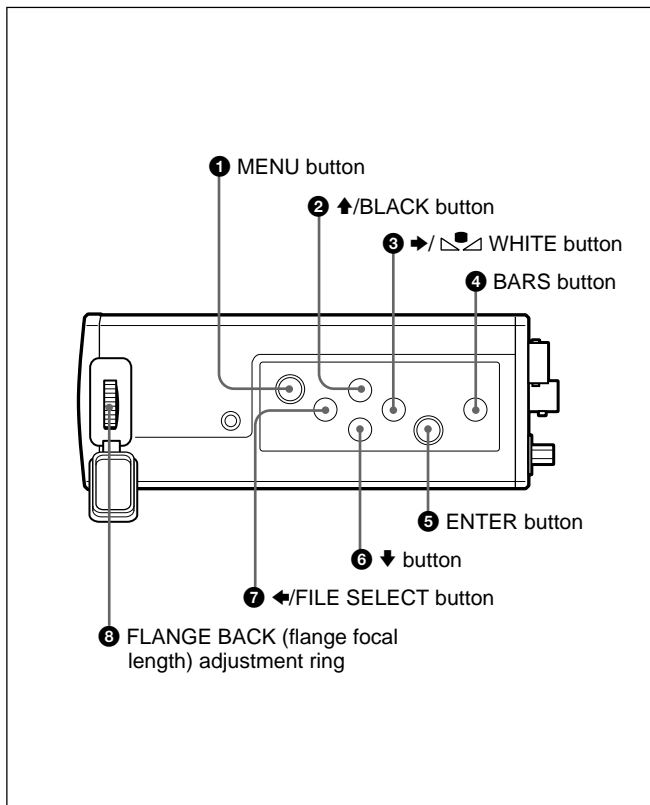
Be sure to use a lens whose projected part from the lens mount surface is less than 4.3 mm. Mounting the lens with a projected part greater than 4.3 mm may damage the internal mechanism of the camera.

2 Screw holes

Use these holes (M3, depth: 4 mm ($\frac{3}{16}$ inches)) to attach the supplied tripod adaptor to the camera for mounting the camera on a wall, ceiling or tripod.

For how to install the tripod adaptor, see “Mounting on a Tripod” on page 45.

Right Side Panel (Control Panel)



1 MENU button

Displays the MAIN menu on a monitor screen. Press again to exit the menu. When a setting menu is displayed, press this button to return to the MAIN menu.
For menu operations, see “Operation through Menus” on page 14.

2 ↑/BLACK (black balance) button

While the menu is displayed: Moves the menu cursor upward. Also use this button for an AE window setting, etc.
While the normal screen is displayed: Activates the automatic black balance adjustment.

3 →/WHITE (white balance) button

While the menu is displayed: Increases the setting value or changes the setting. Also use this button for an AE window setting, etc.
While the normal screen is displayed: Activates the automatic white balance adjustment when MODE is set to AWB in WHITE BALANCE menu.

Location and Functions of Parts and Controls

4 BARS (color bars output) button

Outputs the color bar signal. Press again to revert to video signal output.

For monitor adjustment, contact your authorized Sony dealer.

5 ENTER button

Selects a setting menu in the MAIN menu. Also use this button for an AE window setting, etc.

6 ↓ button

Moves the menu cursor downward. Also use this button for an AE window setting, etc.

7 ←/FILE SELECT button

While the menu is displayed: Decreases the setting value or changes the setting. Also use this button for an AE window setting, etc.

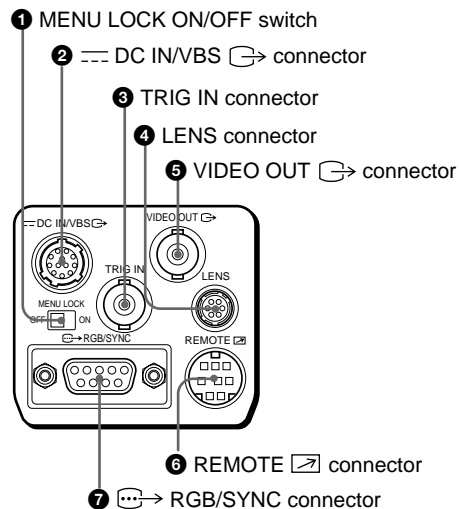
While the normal screen is displayed: Switches the user preset file between A and B.

8 FLANGE BACK (flange focal length) adjustment ring

Adjusts the flange focal length of a lens which is not equipped with this function.

For details on flange focal length adjustment, see “Adjusting the Flange Focal Length” on page 32.

Rear Panel



1 MENU LOCK ON/OFF switch

When this switch is set to ON, the menu is not displayed on the screen even if you press the MENU button.

2 DC IN/VBS  (DC input/video signal output) connector (12-pin)


Connects to the CMA-D2/D2MD/D2CE/D2MDCE/D3/D3CE camera adaptor. Inputs the DC power and outputs the video signal.

3 TRIG IN connector (BNC type)

Connects to a commercially available slave unit by converting to BNC type in strobe mode.

4 LENS connector (6-pin)


Connects to a lens control cable when attaching the zoom lens especially designed for this camera.

5 VIDEO OUT  connector (BNC type)

Outputs a composite video signal.

6 REMOTE  connector (mini DIN 8-pin)

Connects to the RM-C950 remote control unit (not supplied).

7  RGB/SYNC connector (D-sub 9-pin)

Outputs RGB signals and their respective sync signals.

Use the CCXC-9DB/CCXC-9DD/CCMC-9DS connecting cable for the connection with the CMA-D2/D2MD/D2CE/D2MDCE camera adaptor.

For connection with the CMA-D3/D3CE camera adaptor, use the CCMC-3MZ connecting cable.

Operation

Adjusting and Setting with Menus

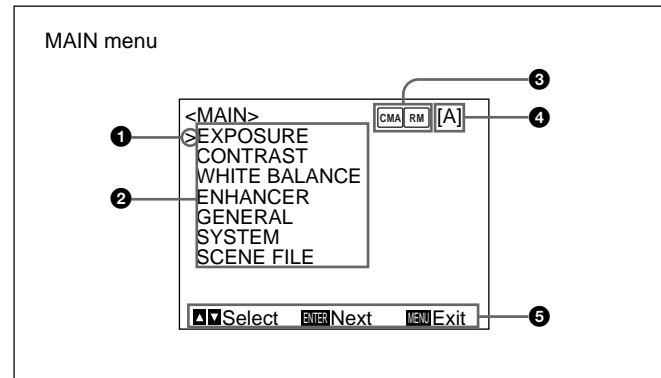
Camera operational settings can be changed through simple adjustment of the settings on the on-screen menus. Settings can be adjusted to get the best possible results for the given shooting conditions or to enhance the image with special effects.

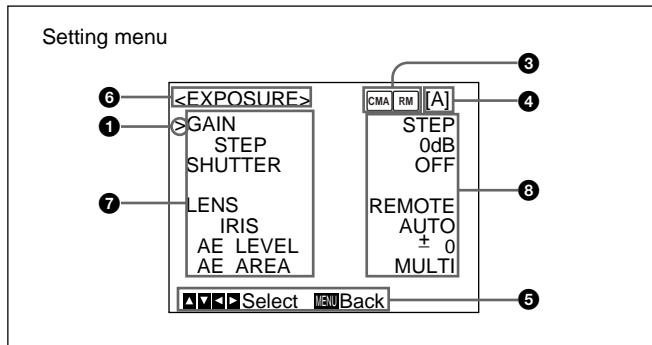
Menu Configuration

Before starting menu operation, make sure that the MENU LOCK ON/OFF switch on the rear panel is set to OFF. To display a menu, press the MENU button on the right side panel. The MAIN menu is displayed on the monitor screen. The setting menu will be displayed by selecting the desired setting menu item with the \uparrow or \downarrow button and pressing the ENTER button.

About on-screen menus

This section explains how to read the on-screen menu before starting menu operation.





1 Cursor

Selects a setting menu or setting item.
Move the cursor up or down using the **↑** or **↓** button.

2 Setting menu items

When you select the desired item with the **↑** or **↓** button and press the ENTER button, the setting menu for adjustment and setting is displayed.

3 Connecting conditions

The indicator changes according to the equipment which is connected to the REMOTE connector on the camera.

[RM]: when the RM-C950 remote control unit is connected

[CMA]: when the CMA-D3/D3CE camera adaptor is connected via the CCMC-3MZ connecting cable

[CMA]**[RM]**: when the CMA-D3/D3CE camera adaptor is connected to the REMOTE connector on the camera via the CCMC-3MZ connecting cable, and the RM-C950 remote control unit is connected to the REMOTE connector on the CMA-D3/D3CE

4 User preset file

You can store two types of preset adjustments into files A and B. Indicates the currently selected preset file (A or B).

5 Operational message

Indicates how to operate the currently displayed menu.

6 Setting menu

Indicates the currently selected setting menu.

7 Setting items

Indicates the items that can be adjusted in each setting menu.

Select the item by moving the cursor beside it with the **↑** or **↓** button.

8 Set values

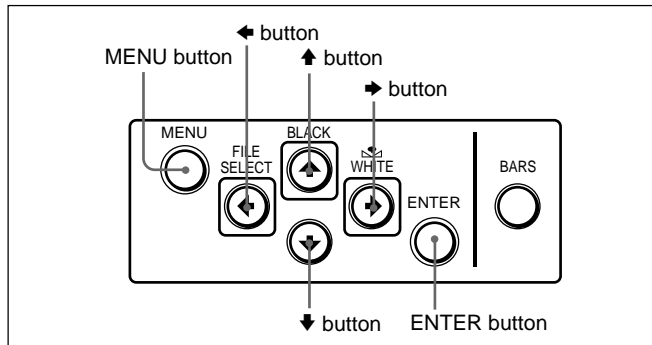
The currently set values are displayed.
Change the values using the **◀** or **▶** button.

Adjusting and Setting with Menus

Operation through Menu

Menu operation buttons

Operate the menu with the buttons on the right side panel.

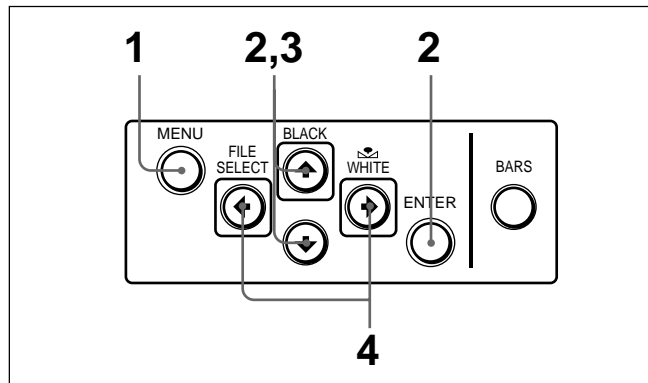


The following table shows the functions of the buttons.

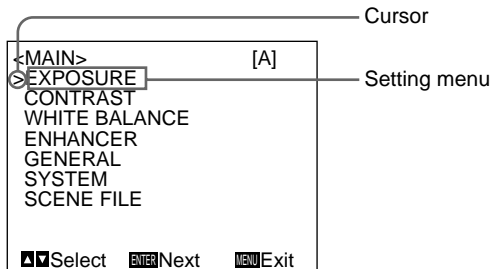
Button	Function
MENU	Displays the MAIN menu.
↑ button	Moves the cursor upward.
↓ button	Moves the cursor downward.
← button	Changes the setting/decreases the value.
→ button	Changes the setting/increases the value.

Menu operation procedure

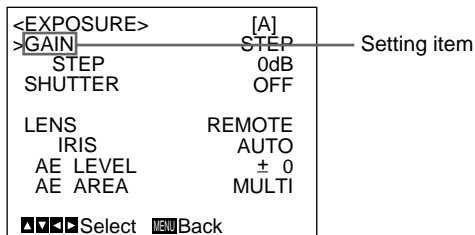
To change the settings on the menu, proceed as follows.



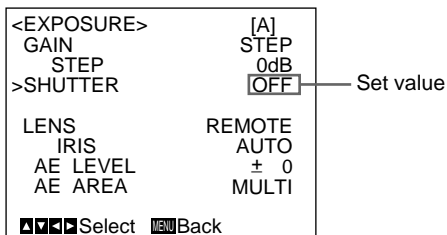
- 1 Press the MENU button.
The MAIN menu appears.



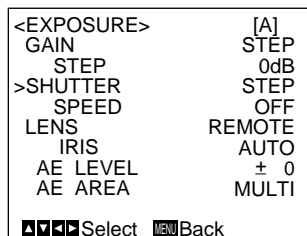
- 2** Move the cursor to the menu item to be set by pressing the **▲** or **▼** button, then press the ENTER button. The setting menu is displayed.



- 3** Move the cursor to the item to be adjusted by pressing the **▲** or **▼** button.



- 4** Change the value by pressing the **◀** or **▶** button. Holding down the button changes the value quickly.



To reset to the initial set value

Select the item to be reset, then press the **◀** and **▶** buttons simultaneously.

For the initial set value on each item, see “Initial Setting of the Menus” on page 31.

To return to the normal screen

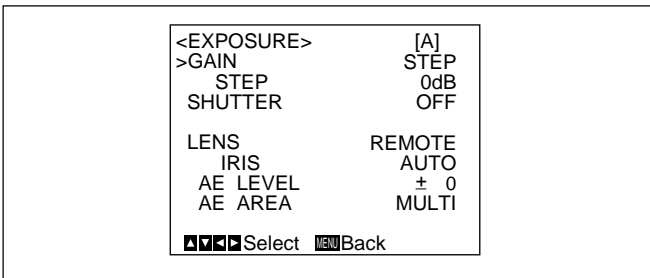
Press the MENU button while the MAIN menu is displayed. While each setting menu is displayed, press the MENU button to return to the MAIN menu, then press it again to return to the normal screen.

Adjusting and Setting with Menus

Function of Menus

EXPOSURE menu

Adjusts the items relating to exposure, such as gain and shutter mode.



Setting items on the EXPOSURE menu

Setting item	Contents of setting	Ref. page
GAIN	Adjusts video gain.	16
STEP	Sets gain level.	16
SHUTTER	Sets the modes for the electronic shutter.	16
LENS	Sets the iris mode.	18
IRIS	Adjusts the iris automatically or manually.	19
AE LEVEL	Finely adjusts the focusing point of auto exposure adjustment.	19
AE AREA	Sets the AE window in AGC, CCD IRIS or auto iris adjustment mode.	19

GAIN

Adjusts the video gain.

Selection	Function
STEP	Sets the video gain to the desired level. Use this setting for shooting in an extremely dark place where even fully opening the lens iris still does not produce an acceptably bright image. The gain level can be set in the range from 0 to 24 dB in units of 1 dB.
AGC	Automatic gain control. Automatically adjusts the gain according to the brightness of the object to be shot. This setting is useful for shooting when lighting conditions may change. You can select the maximum gain level to be adjusted to 6, 12, 18 or 24 dB with the LIMIT setting.
HYPER	Increases the video gain to about 30 dB. This setting is useful when the lighting condition is very dark.

SHUTTER (electronic shutter)

Selects the electronic shutter modes.

This function enables you to obtain blur-free images of fast-moving objects and acceptably bright still images of objects shot in poor lighting conditions.

Selection	Function
OFF	Any electronic shutter mode does not function.
STEP	<p>Sets the shutter speed to any of 15 steps in long-exposure mode and 11 steps in high-speed mode.</p> <p>Select SPEED and set the shutter speed from among the following values:</p> <p>Long-exposure mode: 0.1, 0.2, 0.3, 0.5, 1.0, 1.5, 2.0, 2.5, 3.0, 3.5, 4.0, 5.0, 6.0, 7.0, and 8.0 sec.</p> <p>To set the speed, display OFF by pressing the ◀ and ▶ buttons simultaneously, then select the desired value by pressing the ▶ button. Each press changes the speed in the order as shown above.</p> <p>High-speed mode: FL (flickerless), 1/125, 1/250, 1/500, 1/1000, 1/2000, 1/4000, 1/10000, 1/20000, 1/40000, 1/100000</p> <p>To set the speed, display OFF by pressing the ◀ and ▶ buttons simultaneously, then select the desired value by pressing the ◀ button. Each press changes the speed in the order as shown above.</p> <p>When using the camera in a 50 Hz lighting area (DXC-390) or in a 60 Hz lighting area (DXC-390P), the FL setting offers flickerless images even under fluorescent light.</p>

Selection	Function
VARIABLE	<p>Use for fine adjustment of the video output level in long exposure mode (low-speed mode) or in clear scan mode (high-speed mode).</p> <p>Long exposure mode You can set the SPEED value in units of 1 frame. For example, if you set to 50 frames (about 1.7 seconds), the video signal produced during this set time is output in the form of one complete frame at intervals of about 1.7 seconds. These pictures, which contain 50 frames of video information, are much brighter than normal one-frame images. This mode is useful for shooting a poorly illuminated object in a dark place.</p> <p>To set the shutter speed</p> <ol style="list-style-type: none"> 1 Display OFF by pressing the ◀ and ▶ buttons simultaneously. 2 Select the SPEED value by pressing the ▶ button. Each time you press the button, the value changes in units of 1 frame. <p>To convert the value into the shutter speed Example: When the value is set to 5 frames $5 \times 1/30 = 0.1666$ seconds (DXC-390) $5 \times 1/25 = 0.2000$ seconds (DXC-390P)</p> <p>Notes</p> <ul style="list-style-type: none"> • Do not use AGC, CCD-IRIS, ATW, DCC+ and DYNALATITUDE functions in long exposure mode. • When you set the shutter speed to 1 second or higher, set the gain level to 0 dB.

(Continued)

Adjusting and Setting with Menus

Selection	Function
VARIABLE (Continued)	<p>Clear scan mode You can set the shutter speed in units of 1H (horizontal scanning time: 63.56 μs for DXC-390, 64.00 μs for DXC-390P). Select SPEED, then select the value from 1/525H to 262/525H (DXC-390) or 1/625H to 312/625H (DXC-390P). This mode can be used for shooting computer displays with reduced horizontal bands appearing across the display screen.</p> <p>To set the shutter speed 1 Display OFF by pressing the ◀ and ▶ buttons simultaneously. 2 Select the SPEED value by pressing the ▶ button while observing the noise on the monitor screen so that you can obtain the image with minimum noise. Each time you press the button, the value changes in units of 1H.</p> <p>To convert the value into the shutter speed Example: When the value is set to 250H DXC-390: $250 \times 63.56 \mu\text{s} (1\text{H}) + 34.9 \mu\text{s} (\text{constant}) = 15924.9 \mu\text{s} = \text{Approx. } 0.016 \text{ seconds}$ DXC-390P: $250 \times 64.00 \mu\text{s} (1\text{H}) + 35.0 \mu\text{s} (\text{constant}) = 16035.0 \mu\text{s} = \text{Approx. } 0.016 \text{ seconds}$</p>
CCD-IRIS	Automatically adjusts the luminance level for optimum output level. When incoming light is excessive, this function automatically adjusts the shutter speed to cut exposure equivalent to up to 10 aperture stops.

Selection	Function
CCD-IRIS (Continued)	<p>For example, this function is useful for microscope applications. When shooting with a microscope not equipped with the auto-iris lens, the luminance level that is just right for the human eye is often too bright for the video camera. When CCD-IRIS is selected, the electronic shutter automatically decreases excessive incident light to an appropriate level for the video camera. This function is also useful for cutting out excessive incident light that is not cut out by the auto-iris lens in scenes containing very bright patches (such as snow, or sea water reflecting sunlight). You can select the highest limit value of the variable range of the shutter speed. Select LIMIT, then set the speed to 1/250, 1/500, 1/1000, 1/2000, 1/4000, 1/10000, 1/20000, 1/40000 or 1/100000.</p> <p>Note You cannot use CCD-IRIS mode when using a lens that automatically adjusts the iris control according to the video signal input.</p>

LENS

Selects the iris mode.

Selection	Function
VIDEO	Select when you use a lens that automatically adjusts the iris according to the input video signal. Select AE LEVEL, then adjust the auto exposure focusing point in the range from -127 to +127.
REMOTE	Select when you use a lens that adjusts the iris according to the DC power supplied.

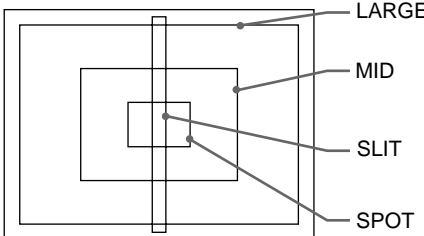
IRIS

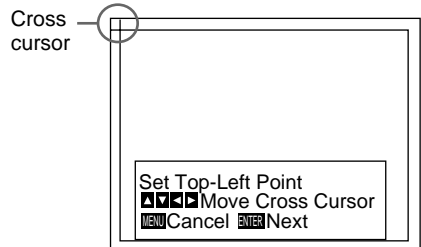
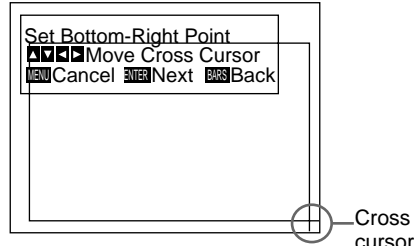
Appears when you set LENS to REMOTE.

Selects how to adjust the iris. You can select AUTO or MANUAL.

AUTO: Adjusts the iris automatically.

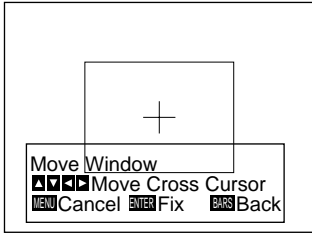
MANUAL: Adjusts the iris with the IRIS control on the RM-C950 remote control unit.

Selection	Function
AE LEVEL	Sets auto exposure focusing point in the range from -127 to +127.
AE AREA	<p>Sets the AE (Auto Exposure) window when the camera is set to AGC, CCD IRIS or auto-iris control mode.</p> <p>MULTI: Divides the screen into 9 sections and adjusts auto exposure according to the luminance level in each section. Normally set to this position.</p> <p>LARGE, MID, SPOT and SLIT: Displays the following AE windows and adjusts auto exposure according to the luminance level in each area.</p> 

Selection	Function
AE AREA (Continued)	<p>MANUAL: Sets the AE window with the desired size and position on the screen. Follow the steps below.</p> <p>1 Select MANUAL and press the ENTER button.</p>  <p>2 Move the cross cursor appearing at the left top corner with the ←, →, ↑ or ↓ button to set the upper and left side size, then press the ENTER button.</p> 

(Continued)

Adjusting and Setting with Menus

Selection	Function
AE AREA (Continued)	<p>3 Move the cross cursor appearing at the right bottom corner with the \leftarrow, \rightarrow, \uparrow or \downarrow button to set the lower and right side size, then press the ENTER button.</p>  <p>4 Move the AE window to the desired position with the \leftarrow, \rightarrow, \uparrow or \downarrow button, then press the ENTER button.</p> <p>Note To cancel the setting before completing the procedure, press the MENU button.</p>
AE SPEED	<p>Sets auto exposure focusing speed in AGC, CCD IRIS or auto-iris control mode. Selects from MID (normal speed), FAST (fast speed) and SLOW (slow speed).</p> <p>Note If lens hunting occurs, adjust with AE SPEED.</p>
AE DETECT	<p>Selects the detection method of the luminance level of the selected AE window.</p> <p>AVERAGE: Selects to detect the average luminance level of the whole AE window. PEAK: Selects to detect the part with the highest luminance level.</p>

CONTRAST menu

Adjusts the contrast of the image.

```

<CONTRAST>          [A]
>EFFECT             MANUAL
  KNEE POINT        MID
  BLACK STRETCH     ± 0
  GAMMA              ON
  LEVEL              ± 0
  MASTER PEDESTAL  ± 0
  R. PEDESTAL       ± 0
  B. PEDESTAL       ± 0

[Left Arrow] Select [Right Arrow] Back
    
```

Setting items in the CONTRAST menu

Setting item	Contents of setting	Ref. page
EFFECT	Adjusts the picture contrast in accordance with the incident luminance level.	21
KNEE POINT	Sets the knee point.	21
BLACK STRETCH	Adjusts the luminance of a dark portion of the screen.	21
GAMMA	Activates gamma compensation.	21
LEVEL	Adjusts the gamma level.	21
MASTER PEDESTAL	Sets the pedestal level of the output signal.	21
R./B. PEDESTAL	Finely adjust the pedestal level.	22

EFFECT

Selects the setting suitable for the incident luminance levels.

Selection	Function
MANUAL	<p>Selects KNEE POINT setting or BLACK STRETCH.</p> <p>KNEE POINT Sets the knee point according to the incoming light levels. OFF: Knee processing does not function. HIGH: Sets the knee point to the highest level. MID: Normally, select this position. LOW: Sets the knee point to the lowest level.</p> <p>BLACK STRETCH Adjusts the luminance of the dark portion of the screen. You can set the value within the range from -10 to +10. The higher the setting, the brighter the screen.</p>
DCC+	<p>When shooting a very bright object, the whole screen may white out or a part of the image may be colorless. This setting minimizes these phenomena.</p>
DYNA-LATITUDE	<p>Adjusts the contrast according to the luminance level of each picture element. The setting is useful for shooting scenes mixed with bright and dark parts. You can set the level within the range from -10 to +10.</p>

GAMMA

Activates gamma compensation.

Selection	Function
OFF	<p>Outputs the video signal linearly without gamma compensation. Use this setting when you want to produce images for image processing or image analysis.</p>
ON	<p>Compensates the reproduction characteristics of a cathode-ray tube of a monitor to produce natural-tone image. Select LEVEL, then adjust so that you can obtain natural-tone image. Adjustable range is from -10 to +10.</p>

MASTER PEDESTAL

The pedestal levels of the G, B and R output signals can be adjusted simultaneously.

Adjusts the darkness level of the black part of the image. Use this function to bring out details in heavily shaded areas. The adjustable range is from -127 to +127. Normally set to ± 0 .

Use of a waveform monitor allows easier adjustment.

(Continued)

Adjusting and Setting with Menus

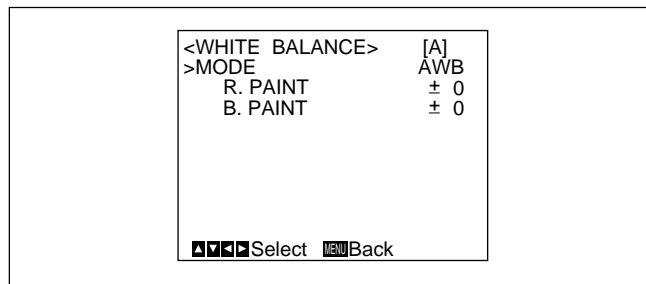
Adjusting direction	Effect
+	The whole screen becomes whiter.
-	The whole screen becomes blacker.

R. (red) PEDESTAL, B. (blue) PEDESTAL

Use these items to finely adjust the pedestal level of each color. Adjust while watching the monitor screen. The items can be finely adjusted within the range from -127 to +127.

WHITE BALANCE menu

Adjusts the white balance.



Setting items in the WHITE BALANCE menu

Setting item	Contents of setting	Ref. page
MODE	Selects the white balance modes.	23
R./B. PAINT	Finely adjusts the white balance (AWB, ATW).	23

MODE

Selects the white balance modes.

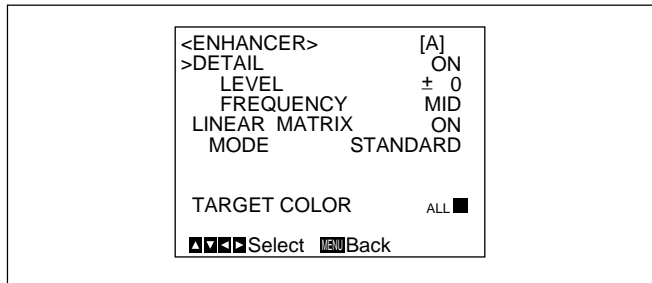
Selection	Function
AWB	<p>Adjusts the white balance automatically (auto white balance).</p> <p>When this item is selected, R. PAINT and B. PAINT are displayed. Use these items for fine adjustment. Adjust them while watching the monitor screen.</p> <p>R. PAINT: Finely adjusts the red in the range from -100 to +100.</p> <p>B. PAINT: Finely adjusts the blue in the range from -100 to +100.</p> <p><i>For details, see "Adjusting the White Balance" on page 39.</i></p>
ATW NORMAL or ATW WIDE	<p>Activates auto-tracing white balance. This mode is suitable for shooting when the light source changes. The white balance is automatically adjusted as the color temperature changes.</p> <p>Normally, set to ATW NORMAL.</p> <p>The ATW WIDE setting can cope with a wider range of color temperature changes.</p> <p>When these items are selected, R. PAINT, B. PAINT, AREA and SPEED are displayed. Use these items for fine adjustment. Adjust them while watching the monitor screen. The adjusted values are stored in memory other than AWB values.</p> <p>R. PAINT: Finely adjusts the red in the range from -10 to +10.</p> <p>B. PAINT: Finely adjusts the blue in the range from -10 to +10.</p>

Selection	Function
ATW NORMAL or ATW WIDE (Continued)	<p>AREA: A detecting window appears on the monitor screen. Normally set to NORMAL to detect the average luminance level on the whole screen. If you want to display the desired window, set to MANUAL and follow the steps below.</p> <ol style="list-style-type: none"> 1 Press the ENTER button. 2 Move the left top cross cursor with the ◀, ▶, ▲ or ▼ button to set the upper and left side size, and press the ENTER button. 3 Move the right bottom cross cursor with the ◀, ▶, ▲ or ▼ button to set the lower and right side size, and press the ENTER button. 4 Move the window to the desired position on the screen with the ◀, ▶, ▲ or ▼ button, and press the ENTER button. <p>SPEED: Sets the focusing speed. You can select SLOW (slow speed), MID (normal speed) or FAST (fast speed).</p>
MANUAL	<p>Use for manual adjustment of white balance. When this item is selected, R. GAIN and B. GAIN are displayed. Adjust them while watching the monitor screen.</p> <p>R. GAIN: Finely adjusts the red gain in the range from -127 to +127.</p> <p>B. GAIN: Finely adjusts the blue gain in the range from -127 to +127.</p>
3200K	Selects for indoor shooting. (Color temperature: 3200K)
5600K	Selects for outdoor shooting. (Color temperature: 5600K)

Adjusting and Setting with Menus

ENHANCER menu

Adjusts the sharpness of the image outline and the color tone (hue).



Setting items in the ENHANCER menu

Setting item	Contents of setting	Ref. page
DETAIL	Enables or disables to adjust the sharpness of the image outline.	24
LEVEL	Adjusts the sharpness of the image outline.	24
FREQUENCY	Adjusts the sharpness of the detailed image outline.	24
LINEAR MATRIX	Enables or disables processing of a color matrix.	25
MODE	Finely adjusts the color tone.	25
TARGET COLOR	Specifies the color for DETAIL or LINEAR MATRIX adjustments.	25

DETAIL

Enables or disables adjustment of the sharpness of the image outline.

Selection	Function
ON	Enables adjustment of the sharpness of the image outline.
OFF	Disables adjustment of the sharpness of the image outline.

When you set DETAIL to ON, LEVEL and FREQUENCY are displayed.

Adjust the sharpness of the image outline in accordance with your shooting purpose and your taste.

Selection	Function
LEVEL	Adjusts the level in the range from -127 to +127. The lower level decreases the sharpness of the image outline and makes the image softer. The higher level increases the sharpness of the image outline and makes the image sharper.
FREQUENCY	Selects the frequency level with which the image outline is adjusted from LOW (lower frequency level), MID (middle frequency level) or HIGH (higher frequency level). Higher setting provides a sharper outline of detailed images.

LINEAR MATRIX

Processes an image with a color matrix to change the chroma saturation and hue in order to reproduce natural color.

Selection	Function
ON	Corrects the color to reproduce natural color.
OFF	Color correction does not function. Use when you want to process the image.

When you set LINEAR MATRIX to ON, MODE is displayed. You can adjust the color suitable for an object. When you set MODE to MANUAL, R. PAINT, G. PAINT and B. PAINT appear.

Selection	Function
STANDARD	Normally, select this setting.
R ENHANCE	Enhances the red.
B ENHANCE	Enhances the blue.
G ENHANCE	Enhances the green.
MANUAL	Adjusts each color finely. R. PAINT: Finely adjusts the red in the range from -30 to +30. G. PAINT: Finely adjusts the green in the range from -30 to +30. B. PAINT: Finely adjusts the blue in the range from -30 to +30.

TARGET COLOR

Select when adjusting DETAIL or LINEAR MATRIX for a specific color.

Selection	Function
ALL	Adjusts DETAIL or LINEAR MATRIX for the whole image. Normally, set to this position.
IN	Adjusts DETAIL or LINEAR MATRIX for a specific color. With the RANGE setting you can finely adjust the area in the range from -10 to +10.
OUT	Adjusts DETAIL or LINEAR MATRIX for colors other than a specified one. With the RANGE setting you can finely adjust the area in the range from -10 to +10.

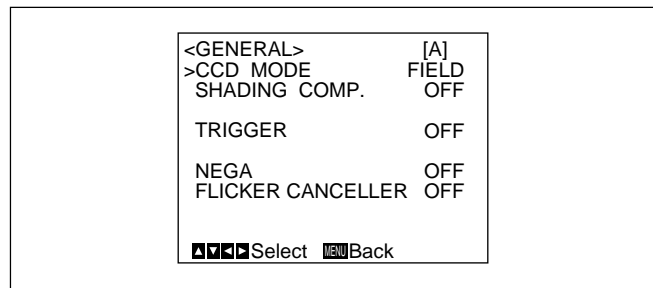
How to specify a color

- 1 Select IN or OUT and press the ENTER button.
- 2 Move the cross cursor (⊕) appearing in the center of the screen to the desired color with the ←, →, ↑ or ↓ button so that the cross cursor square covers the desired color, then press the ENTER button.
When you select IN, you can adjust the color indicated by the cross cursor (⊕).
When you select OUT, you can adjust colors other than that with the cross cursor.

Adjusting and Setting with Menu

GENERAL menu

Sets the general items.



Setting items in the GENERAL menu

Setting item	Contents of setting	Ref. page
CCD MODE	Selects the CCD read-out mode.	26
SHADING COMP.	Eliminates color at the top and bottom of the screen.	26
TRIGGER	Sets the polarity when connecting a slave unit to synchronize with a stroboscope.	27
NEGA	Reverses the output image to negative.	27
FLICKER CANCELLER	Reduces flicker when SHUTTER is set to CCD IRIS or OFF.	27

CCD MODE

Selects the CCD read-out mode.

Selection	Function
FIELD	Accumulates charges in field units. Use to shoot a moving object.
FRAME	Accumulates charges in frame units. Provides the image with the highest possible vertical resolution. Use to shoot a still object.

SHADING COMP. (Shading compensation)

Eliminates green or magenta color which may appear at the top or bottom of the screen, when the camera is used with an optical instrument.

Selection	Function
OFF	Color elimination does not function.
ON	If green or magenta color appears at the top or bottom of the screen when the camera is attached to a microscope, etc., select this setting.

When SHADING COMP. is set to ON, LEVEL is displayed. Adjust while watching the screen so that the color is eliminated. Adjustable range is from -127 to +127.

Adjusting direction	Effect
+	Green at the top and magenta at the bottom will be eliminated.
-	Magenta at the top and green at the bottom will be eliminated.

TRIGGER

Set when you use a slave unit connected to the TRIG IN connector and synchronize the camera with a stroboscope.

Selection	Function
OFF	Select when you do not connect a slave unit.
ON	Select when you connect a slave unit. Select POLARITY, and set it to the same polarity as the input pulse signal. ⌋: Falling edge ⌋: Rising edge

NEGA

Reverses the output image to negative/positive.

Selection	Function
OFF	Outputs the image normally.
ON	Outputs the image reversed to negative/positive.

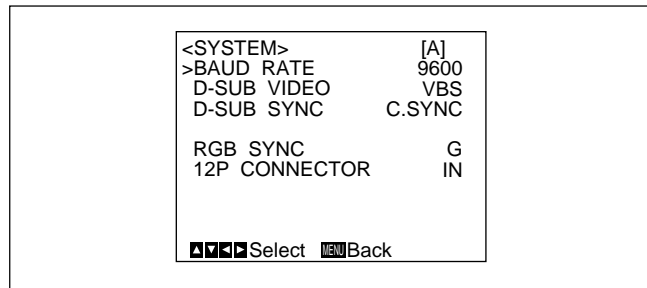
FLICKER CANCELLER

When using the camera in a 50 Hz lighting area (DXC-390) or in a 60 Hz lighting area (DXC-390P), you can obtain images with less flicker under fluorescent light even when SHUTTER is set to CCD IRIS or OFF. Set this item to OFF when you want to set NEGA to ON.

Selection	Function
OFF	Disables the FLICKER CANCELLER function.
ON	Reduces flicker.

SYSTEM menu

Sets the items relating to the system of the camera and selection of output signals.



Setting items in the SYSTEM menu

Setting item	Contents of setting	Ref. page
BAUD RATE	Selects the baud rate.	28
D-SUB VIDEO	Switches the video signal output from the → RGB/SYNC connector (D-sub 9-pin).	28
D-SUB SYNC	Switches the sync signal output from the → RGB/SYNC connector (D-sub 9-pin).	28
RGB SYNC	Adds a sync signal to the RGB output.	29
12P CONNECTOR	Switches the input and output of the → connector and selects the output signal.	29

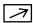
(Continued)

Adjusting and Setting with Menus


Setting item	Contents of setting	Ref. page
(VBS lock) H. PHASE* SC. PHASE ROUGH* SC. PHASE FINE*	Adjusts the horizontal phase and SC (subcarrier) phase during external synchronization (with VBS signal input).	29
(HD/VD lock) H. PHASE*	Adjusts the horizontal phase during external synchronization (with HD/VD signal input).	29

* Displayed only when an external sync signal is input.

BAUD RATE

Switches the baud rate of the REMOTE  connector at the rear panel.


Sets to any of 19200, 9600, 4800, 2400 and 1200.

Normally, set to 9600 when the RM-C950 remote control unit is connected to the REMOTE  connector.

Note

When the CMA-D3/C3CE is connected to the camera using the CCMC-3MZ connecting cable, “CMA-D3” will appear and you cannot select the baud rate.

D-SUB VIDEO


Switches the video signal output from the  → RGB/SYNC connector (D-sub 9-pin) at the rear panel.

Selection	Function
VBS	Outputs VBS signal.
Y/C	Outputs Y/C signal.

Note

When the CMA-D3/C3CE is connected to the camera with the CCMC-3MZ connecting cable, the item does not function.

D-SUB SYNC

Switches the sync signal output from the  → RGB/SYNC connector (D-sub 9-pin) at the rear panel.

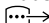
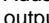
Selection	Function
C.SYNC	Outputs the composite sync signal.
WEN	Outputs the WEN signal. When connecting peripheral equipment, the signal is used as trigger pulse output to the equipment. Select the polarity of the WEN signal with the POLARITY setting. ⌋: Negative ⌋: Positive

Note



When the CMA-D3/C3CE is connected to the camera with the CCMC-3MZ connecting cable, this item is fixed to WEN.

RGB SYNC

Adds a sync signal to the G signal or R, G and B signals output from the  RGB/SYNC connector.

Selection	Function
OFF	No sync signal is added to an output signal.
G	Adds a sync signal to the G signal output from the  RGB/SYNC connector.
RGB	Adds sync signals added to the G, B and R signals output from the  RGB/SYNC connector.

12P CONNECTOR

Switches the input and output of the  DC IN/VBS  connector (12-pin). Selects the output signal from this connector when OUT is selected.

Selection	Function
IN	Functions as the input connector.
OUT	Functions as the output connector. Select the output signal with the SIGNAL setting. HD/VD : Outputs the HD/VD signal. C. SYNC : Outputs the composite sync signal.

Note

When the CMA-D3/C3CE is connected to the camera with the CCMC-3MZ connecting cable, you cannot set this item. Switch between input and output with the IN/OUT switch on the CMA-D3/D3CE camera adaptor.

For details, refer to the operating instructions of the CMA-D3/D3CE.

VBS lock

Appears only when an external reference sync signal (VBS signal) is input. Adjusts the horizontal phase and SC (subcarrier) phase to synchronize the camera operation with the reference signal.

Selection	Function
H.PHASE	Adjusts the horizontal phase within the range from -20 to $+127$.
SC.PHASE ROUGH	Roughly adjusts the subcarrier phase by setting to 0° or 180° .
SC.PHASE FINE	Finely adjusts the subcarrier phase within the range from -127 to $+127$.

HD/VD lock

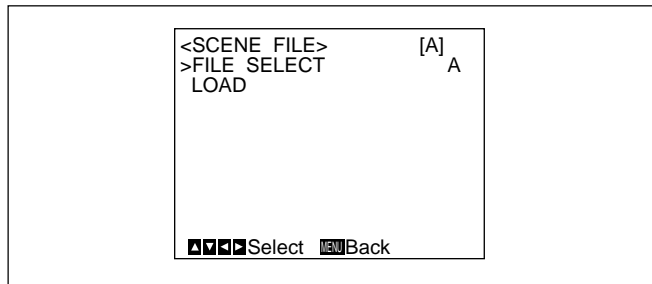
Appears only when an external reference sync signal (HD/VD signal) is input. Adjusts the horizontal phase to synchronize the camera operation with the reference signal. Select H.PHASE, then adjust the level within the range from -20 to $+127$.

Adjusting and Setting with Menus

SCENE FILE menu

Sets the preset menu settings.

The camera has two memory files (A or B) for storing the menu settings. You can store a different type of setting into each file, and switch to the file most suitable for the shooting conditions quickly. The currently selected memory file is shown in the upper right corner of the on-screen menu.



Setting items in the SCENE FILE menu

Setting item	Contents of setting	Ref. page
FILE SELECT	Selects the file into which you store the setting.	30
LOAD	Selects the type of setting to be stored, and loads it.	30

FILE SELECT

Selects the file A or B.

LOAD

Sets the setting to be stored into the file which you select with FILE SELECT, and stores the setting.

Selection	Type of setting
STANDARD	Suitable for a camera used as a permanent fixture.
MICROSCOPE	Suitable for a camera for a microscope.
FULL AUTO	Automatically adjusts settings.
STROBE	Suitable for stroboscopic shooting.
FILE B (or A)	When copying the settings between two files.

Storing the setting

- 1 Select A or B into which the setting is stored in the FILE SELECT setting.
- 2 Press the **↑** or **↓** button to select LOAD.
- 3 Press the **←** or **→** button to select the desired setting to be stored, and press the ENTER button. “Overwrite OK?” appears.
- 4 Press the ENTER button. If you do not want to store the setting, press the MENU button.

Initial Setting of the Menus

If you want to reset the settings and values to the initial settings, press the ◀ and ▶ buttons simultaneously.

Setting menu	Setting item	Initial setting
EXPOSURE	GAIN	STEP
	STEP	0 dB
	SHUTTER	OFF
	STEP	OFF
	LENS	REMOTE
	IRIS	MANUAL
CONTRAST	AE LEVEL	± 0
	AE AREA	MULTI
	EFFECT	MANUAL
	KNEE POINT	MID
	BLACK STRETCH	± 0
	GAMMA	ON
	LEVEL	± 0
	MASTER PEDESTAL	± 0
R. PEDESTAL	± 0	
B. PEDESTAL	± 0	

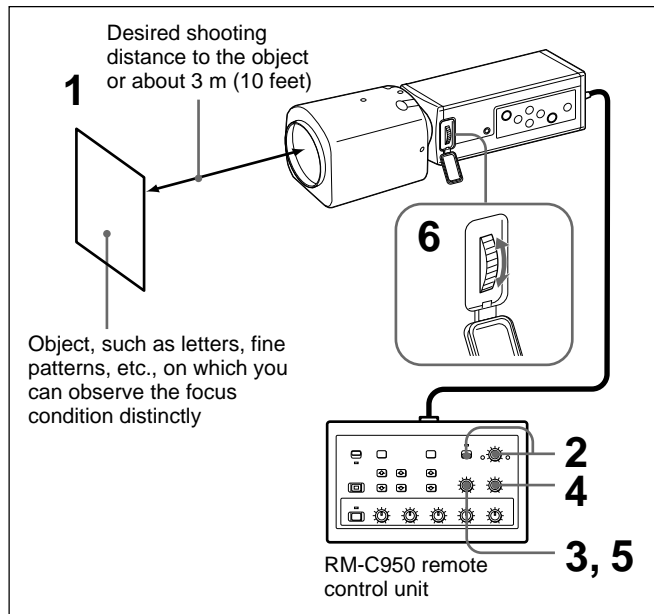
Setting menu	Setting item	Initial setting
WHITE BALANCE	MODE	AWB
	R. PAINT	± 0
	B. PAINT	± 0
ENHANCER	DETAIL	ON
	LEVEL	± 0
	FREQUENCY	MID
	LINEAR MATRIX	ON
GENERAL	MODE	STANDARD
	TARGET COLOR	ALL
	CCD MODE	FIELD
	SHADING COMP.	OFF
	TRIGGER	OFF
SYSTEM	NEGA	OFF
	FLICKER CANCELLER	OFF
	BAUD RATE	9600
	D-SUB VIDEO	VBS
	D-SUB SYNC	C.SYNC
	RGB SYNC	G
	12P CONNECTOR	IN
H. PHASE*	± 0	
SC PHASE ROUGH*	0°	
SC PHASE FINE*	± 0	

* Displayed only when an external sync signal is input.

Adjusting the Flange Focal Length

This section explains how to adjust the flange focal length (distance from the lens mounting plane to an object). Adjustment method varies with the lens you use.

When you use the VCL-610WEA zoom lens



The following is an example of flange focal length adjustment using the RM-C950 remote control unit. Adjust it using the FLANGE BACK (flange focal length) adjustment ring on the camera.

Note

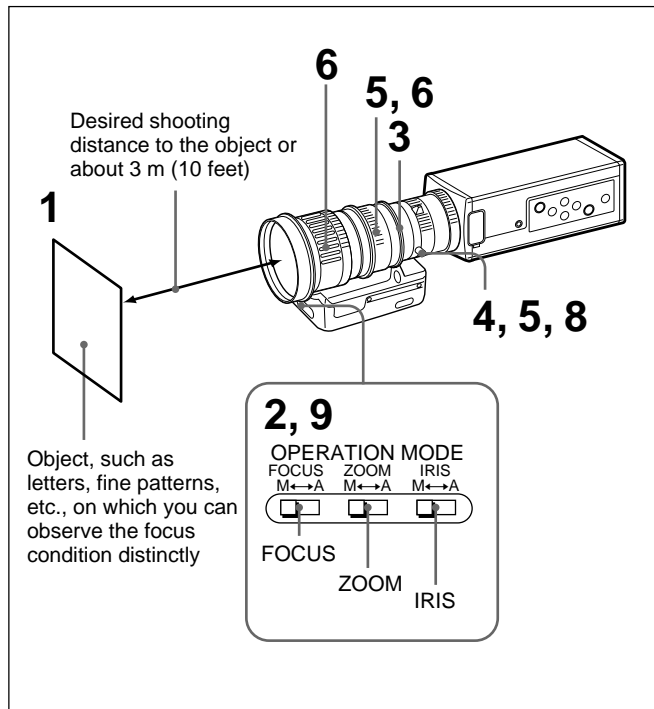
Be sure to set the iris fully open before adjusting the flange focal length.

- 1 Point the camera to an object at the desired shooting distance or about 3 m (10 feet) away.
- 2 Set the IRIS AUTO/MANUAL knob to MANUAL, and turn the IRIS knob to OPEN as far as it goes.
- 3 Turn the ZOOM knob to TELE (telephoto) as far as it goes.
- 4 Adjust the focus on the object used in step 1 by turning the FOCUS knob.
- 5 Turn the ZOOM knob to WIDE (wide-angle) as far as it goes.
- 6 Adjust the focus on the object used in step 1 by turning the FLANGE BACK (flange focal length) adjustment ring on the camera.
- 7 Repeat steps 3 to 6 until you achieve sharp focus both in the telephoto and wide-angle positions.

Now the flange focal length adjustment is completed. You do not need to readjust the flange focal length unless you replace the lens.

When you use the VCL-614WEA zoom lens

You do not need to use the FLANGE BACK (flange focal length) adjustment ring on the camera.



Note

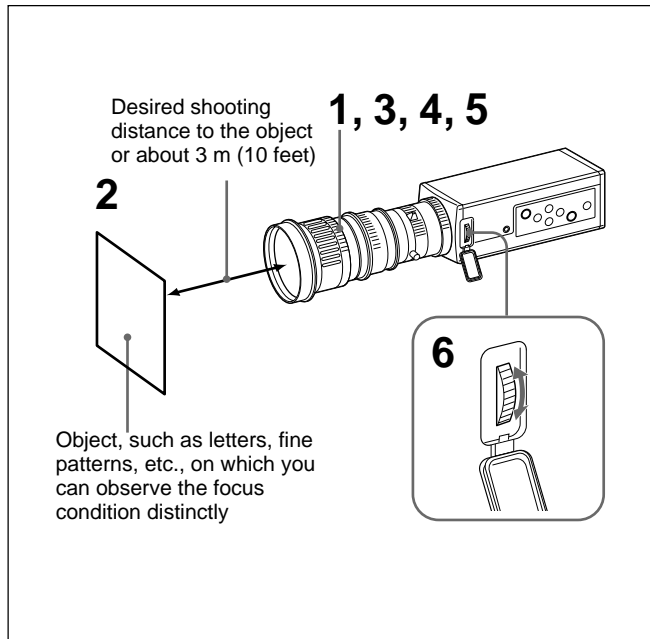
Be sure to set the iris fully open before adjusting the flange focal length.

- 1** Point the camera to an object at the desired shooting distance or about 3 m (10 feet) away.
- 2** Set the FOCUS, ZOOM, IRIS M/A switches on the lens to M (Manual) position using a pointed object.
- 3** Turn the iris ring to 1.4 (open).
- 4** Turn the fixing screw for the F.f adjustment ring counterclockwise to loosen it.
- 5** Turn the ZOOM ring clockwise to align 5.5 (wide-angle) with the white line, then turn the F.f adjustment ring by holding the F.f fixing screw to adjust the focus on the object used in step 1.
- 6** Turn the ZOOM ring counterclockwise to align 77 (telephoto) with the white line, then adjust the focus on the object.
- 7** Repeat steps 5 and 6 until you achieve sharp focus both in the telephoto and wide-angle positions.
- 8** Turn the fixing screw for the F.f adjustment ring clockwise to tighten it firmly.
- 9** Set the FOCUS, ZOOM, IRIS M/A switches on the lens to A (Auto) position.

Now the flange focal length adjustment is completed. You do not need to readjust the flange focal length unless you replace the lens.

When you use a zoom lens not equipped with the flange focal length adjustment function

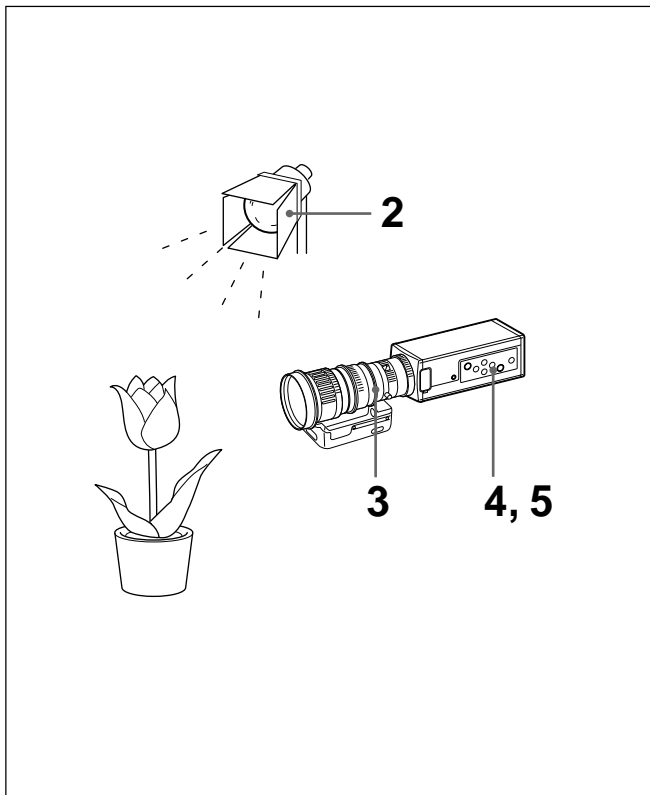
Adjust the flange focal length using the FLANGE BACK (flange focal length) adjustment ring on the camera.



- 1** Set the iris fully open if the lens is equipped with the iris ring.
If you use the auto iris lens, illuminate the object appropriately so that the iris is open.
- 2** Point the camera to an object at the desired shooting distance or about 3 m (10 feet) away.
- 3** Turn the zoom ring to TELE (telephoto) as far as it goes.
- 4** Adjust the focus on the object used in step 2 by turning the focus lens on the lens.
- 5** Turn the zoom ring to WIDE (wide-angle) as far as it goes.
- 6** Adjust the focus on the object used in step 2 by turning the FLANGE BACK (flange focal length) adjustment ring on the camera.
Do not turn the focus ring on the lens during adjustment.
- 7** Repeat steps 3 to 6 until you achieve sharp focus both in the telephoto and wide-angle positions.

Now the flange focal length adjustment is completed.
You do not need to readjust the flange focal length unless you replace the lens.

Basic Shooting Procedure

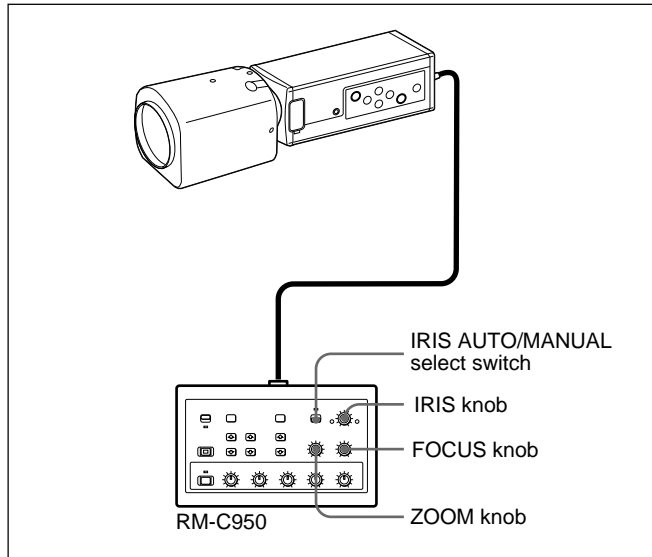


- 1** Turn on the power of the camera and all connected devices.
- 2** Illuminate an object with proper lighting.
- 3** Point the camera at the object and adjust the iris, focus and zoom.
For details, see “Adjusting the Iris, Focus And Zoom” on pages 36 to 37.
- 4** Adjust the white balance.
For details, see “Adjusting the White Balance” on page 39.
- 5** Adjust the settings as required.
For details, see “Adjusting And Setting with Menus” on page 12.
- 6** Start shooting.

Adjusting the Iris, Focus and Zoom

The following is an example of the iris, focus and zoom adjustments using the RM-C950 remote control unit. For details, refer to the *Operating Instructions* supplied with the RM-C950.

When you use the VCL-610WEA zoom lens



Adjusting the iris automatically

Set the IRIS AUTO/MANUAL switch on the RM-C950 to AUTO.

Note

You cannot adjust the iris manually with the VCL-610WEA.

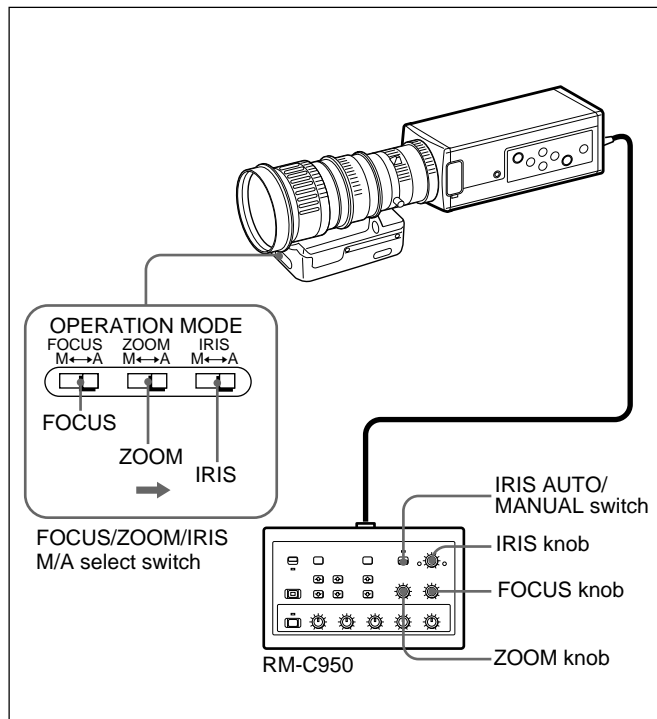
Adjusting the focus

Adjust the focus by turning the FOCUS knob on the RM-C950.

Zooming

Turn the ZOOM knob on the RM-C950 as required.

When you use the VCL-614WEA zoom lens



Adjusting the iris

- 1 Set the IRIS M/A select switch on the lens to A (Auto), and the IRIS AUTO/MANUAL switch on the remote control unit to MANUAL.
- 2 Adjust the iris by turning the IRIS knob on the remote control unit.

Adjusting the focus

- 1 Set the FOCUS M/A select switch on the lens to A (Auto).
- 2 Adjust the focus by turning the FOCUS knob on the remote control unit.

Zooming

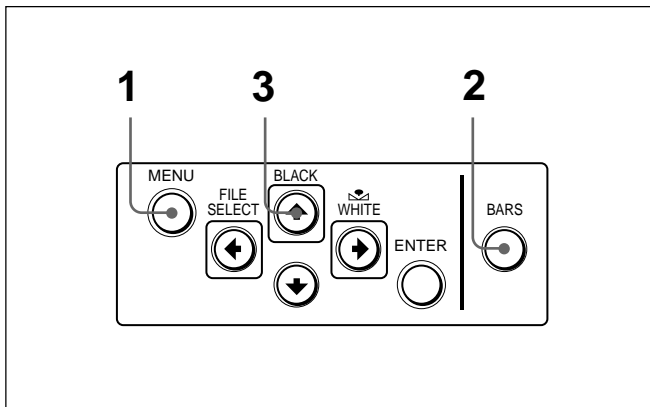
- 1 Set the ZOOM M/A select switch on the lens to A (Auto).
- 2 Turn the ZOOM knob on the remote control unit.

Note

When adjusting the iris, focus and zoom manually using the rings on the lens, make sure to set the IRIS, FOCUS and ZOOM M/A select switches to M (Manual) before operating the iris, focus and zoom. Manual operations with the switch set to A may cause damage to the lens.

Adjusting the Black Balance

Adjust the black balance first, after you turn on the power of your camera.



Operation procedure

- 1** If any menu is displayed on the screen, press the MENU button to remove it.
- 2** If a color bar signal is displayed on the screen, press the BARS button to remove it.
- 3** Press the BLACK button.
The lens iris control is automatically closed, and the black balance is adjusted. If you use a manual-iris lens, close the iris then press the BLACK button.
While adjusting, the bars are displayed. When the adjustment is completed, the message “BLACK: OK” appears on the screen.

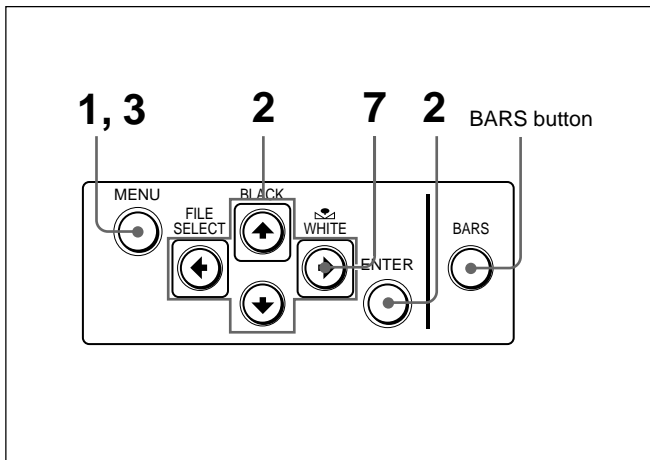
Black balance adjustment errors

If the black balance adjustment is not successful, the message “BLACK: NG” appears on the screen. If this happens, take the necessary measures and perform steps 1 through 3 again.

For details, see “List of Messages” on page 60.

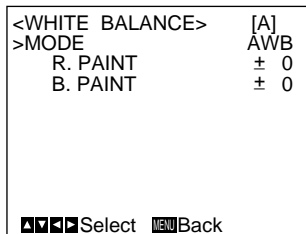
Adjusting the White Balance

Each time the lighting condition changes, be sure to adjust the white balance so that optimum color reproduction is obtained.



Operation procedure

- 1 Press the MENU button to display the MAIN menu.
- 2 Select the WHITE BALANCE menu, and set MODE to AWB.



For menu operation, see “Operation through Menus (Menu operation procedure)” on page 14.

- 3 Press the MENU button twice to remove the menu.
- 4 Display the camera image on the monitor screen.

Note

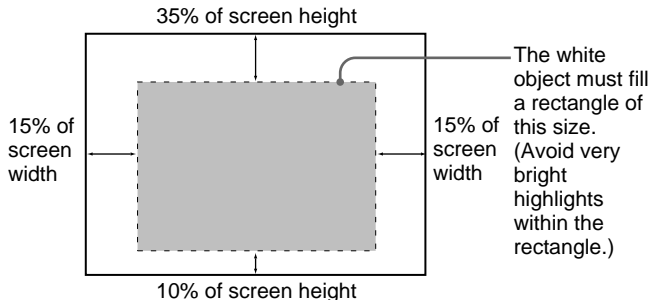
If a color bar signal is displayed on the screen, press the BARS button to turn it off.

- 5 Set the lens iris control as follows:
 - When using an auto-iris lens:** Set to auto-iris control.
 - When using a manual-iris lens:** Set to an appropriate iris opening value.

(Continued)

Shooting

6 Place a white object (white pattern, white cloth, etc.) in the same light as that falling on the object to be shot, then zoom in on the white object to fill the screen as follows.



The white object can be a white wall near the object to be shot.

Notes

- Do not include highly reflective objects in the picture.
- Always shoot the image under suitable lighting conditions.

7 Press the WHITE button.

During adjustment the bars appear. The message “WHITE: OK” appears on the screen when the adjustment is done.

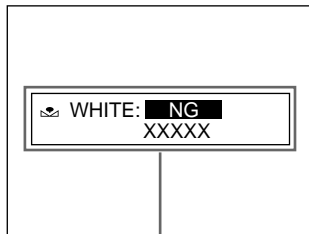
The adjusted white level is automatically stored in memory and remains even if the camera’s power is turned off.

To shoot under the same conditions, the stored white balance is recalled by setting MODE to AWB in the WHITE BALANCE menu.

White balance adjustment errors

If the auto white balance adjustment is not successful, an error message appears on the screen. If this happens, take the necessary measures and perform steps 1 through 7 again.

For more details, see “List of Messages” on page 60.



Error message

Adjusting the Picture Tone in a Multi-Camera System

When configuring a multi-camera system, adjust all cameras to prevent camera-to-camera variations in picture tone.

Before making the adjustments outlined below, input the same sync signal to all cameras.

For connections, see “Connecting Two or More Cameras – Multi Camera System” on page 51.

Connecting the cameras to video equipment with phase indication capability

When connecting to a special-effects generator, a chroma-key unit, or other video equipment with phase indication capability, the basic adjustment procedure is as follows:

- 1** Turn on the phase indication capability of the connected video equipment.
- 2** Adjust the horizontal phase using the menu. Select H. PHASE from the SYSTEM menu.
For more details, see “Operation through Menu” on page 14.
- 3** Adjust the subcarrier phase using the menu. Select SC. PHASE from the SYSTEM menu. First adjust the subcarrier phase roughly with SC. PHASE ROUGH by setting to between 0° and 180°, then adjust it finely using SC. PHASE FINE.
For more details, refer to the instruction manual of the connected video equipment with phase indication capability.

Connecting the cameras to video equipment without phase indication capability

Use one of the cameras as a reference camera and adjust the other cameras to the reference camera one by one.

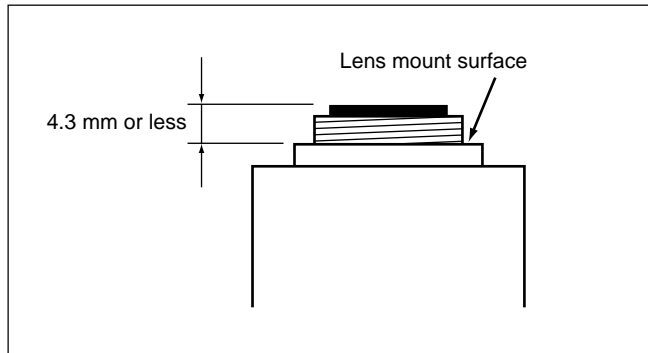
- 1** Adjust the horizontal phase. Select H. PHASE from the SYSTEM menu, and adjust so that the reference video signal and the output signal have the same horizontal sync phase. Use a waveform monitor or an oscilloscope to check the phase.
- 2** Adjust the subcarrier phase. Select SC. PHASE from the SYSTEM menu. First adjust the subcarrier phase roughly with SC. PHASE ROUGH by setting to between 0° and 180°, then adjust it finely using SC. PHASE FINE so that the reference video signal and the output video signal have the same subcarrier phase. Use a vectorscope or the wiping function of a special-effects generator to display the images of both the reference camera and the camera to be adjusted simultaneously on the screen.

Installation and Connections

Installation

Applicable Lens

C-mount lenses with the following lens mount surface can be attached to the camera.

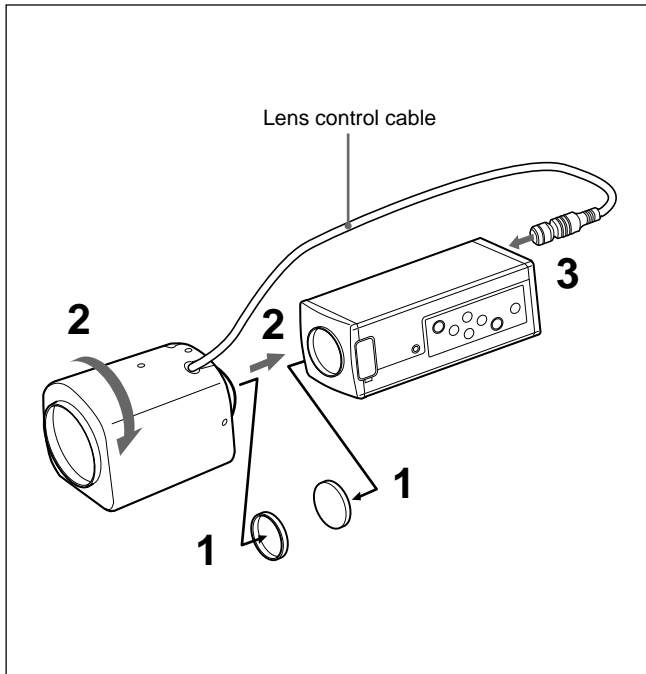


Note

Be sure to use a lens whose projected part from the lens mount surface is less than 4.3 mm. Mounting the lens with a projected part greater than 4.3 mm may damage the internal mechanism of the camera.

Mounting the Lens

Mounting the VCL-610WEA Zoom Lens

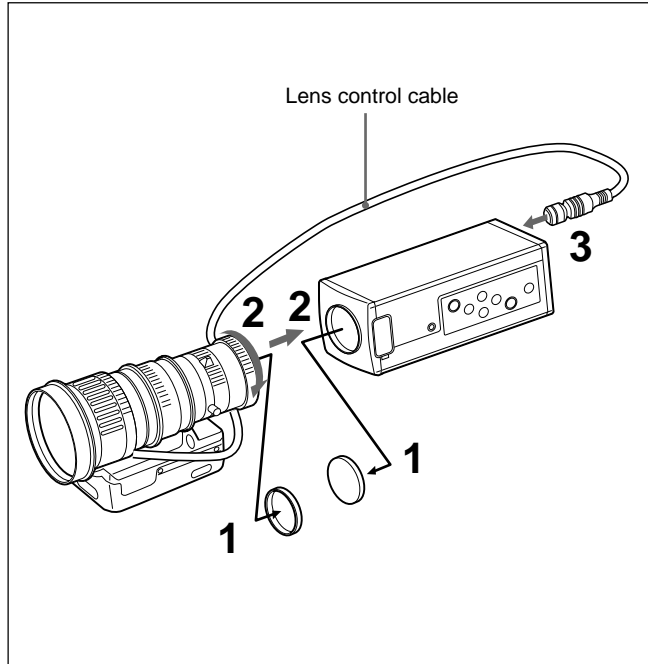


- 1 Remove the mount caps of the camera and lens.
- 2 Align the threaded portion of the lens mount with that of the camera mount, and slowly rotate the lens clockwise to fix to the camera.
- 3 Connect the lens control cable to the LENS connector on the camera.

To adjust the position of the lens

After fixing the lens to the camera, rotate the lens further clockwise. When the lens mount is slipped, rotate the lens in the desired direction.

Mounting the VCL-614WEA Zoom Lens



- 1** Remove the mount caps of the camera and lens.
- 2** Align the threaded portion of the lens mount with that of the camera mount, and turn the mount lock ring clockwise as far as it goes to fix the lens to the camera.
- 3** Connect the lens control cable to the LENS connector on the camera.

To adjust the position of the lens

After tightening the mount lock ring, loosen it by turning it counterclockwise by approximately 90°. Then rotate the lens to adjust the position, and tighten the mount lock ring securely.

Mounting C-mount lens other than the VCL-610WEA and VCL-614WEA other

Also refer to the instruction manual supplied with the lens.

- 1** Remove the mount caps of the camera and lens.
- 2** Align the threaded portion of the lens mount with that of the camera mount, and slowly rotate the lens clockwise to fit to the camera.

To adjust the position of the lens

Refer to the instruction manual supplied with the lens.

Mounting a Microscope Adaptor

To attach the camera to a microscope, an operating microscope, etc., it is necessary to mount an appropriate adaptor. The method for mounting the adaptor is the same as for the lens.

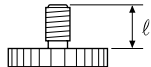
For details, refer to the instruction manual for each adaptor.

Mounting on a Tripod

Install the supplied tripod adaptor using the three screw holes (M3) on the top or bottom panel. Then attach the tripod to the adaptor using the following mounting screws:

U1/4", 20 UNC

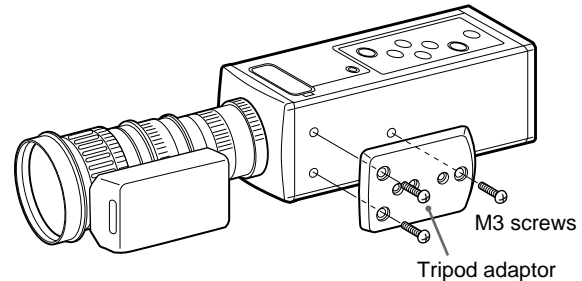
$\ell = 4.5 \text{ mm} \pm 0.2 \text{ mm}$ (ISO standard)



Attaching the supplied tripod adaptor

Following is an example of attaching the tripod adaptor to the bottom panel of the camera. You can also attach the tripod adaptor to the top panel of the camera.

e.g. Attaching on the bottom panel



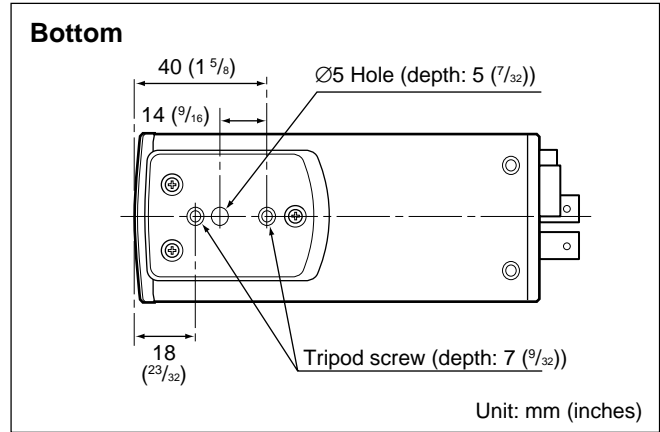
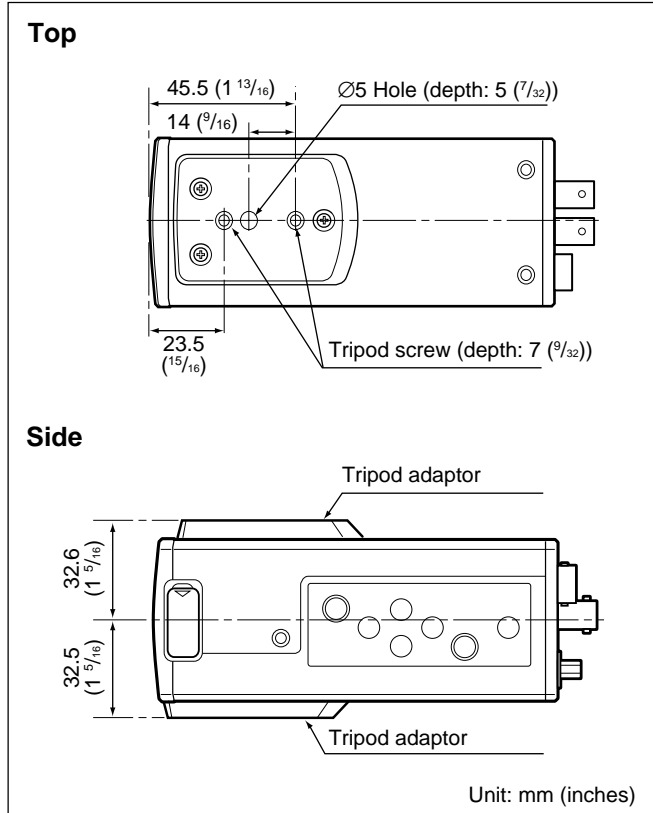
Mounting to a Wall or Ceiling

Attach the camera with the tripod adaptor to the mounting bracket or suspension bracket using the appropriate screws (U1/4", 20 UNC) that fit the tripod holes of the adaptor.

(Continued)

Installation

Reference dimensions for attaching a tripod



Basic System Connection

To supply power to the camera, use the CMA-D2/D2MD/D2CE/D2MDCE/D3/D3CE camera adaptor.

The camera adaptor you can use with your camera varies with the signal systems and uses.

System Use	EIA standard, NTSC color system	CCIR standard, PAL color system
Medical	CMA-D2MD	CMA-D2MDCE
Non-medical	CMA-D2 CMA-D3	CMA-D2CE CMA-D3CE

Note on connections

Be sure to turn off the power supply for all equipment before making any connections.

Using the CMA-D2/D2MD/D2CE/D2MDCE camera adaptor

There are two methods for connecting the camera and the camera adaptor.

- Using the CCDC cable which only supplies power to the camera (*For connecting method, see page 48.*)
- Using the CCMC cable which supplies power to the camera and transmits video signals to the camera adaptor (*For connecting method, see page 49.*)

Note

Be sure to use one camera adaptor for each DXC-390/390P unit.

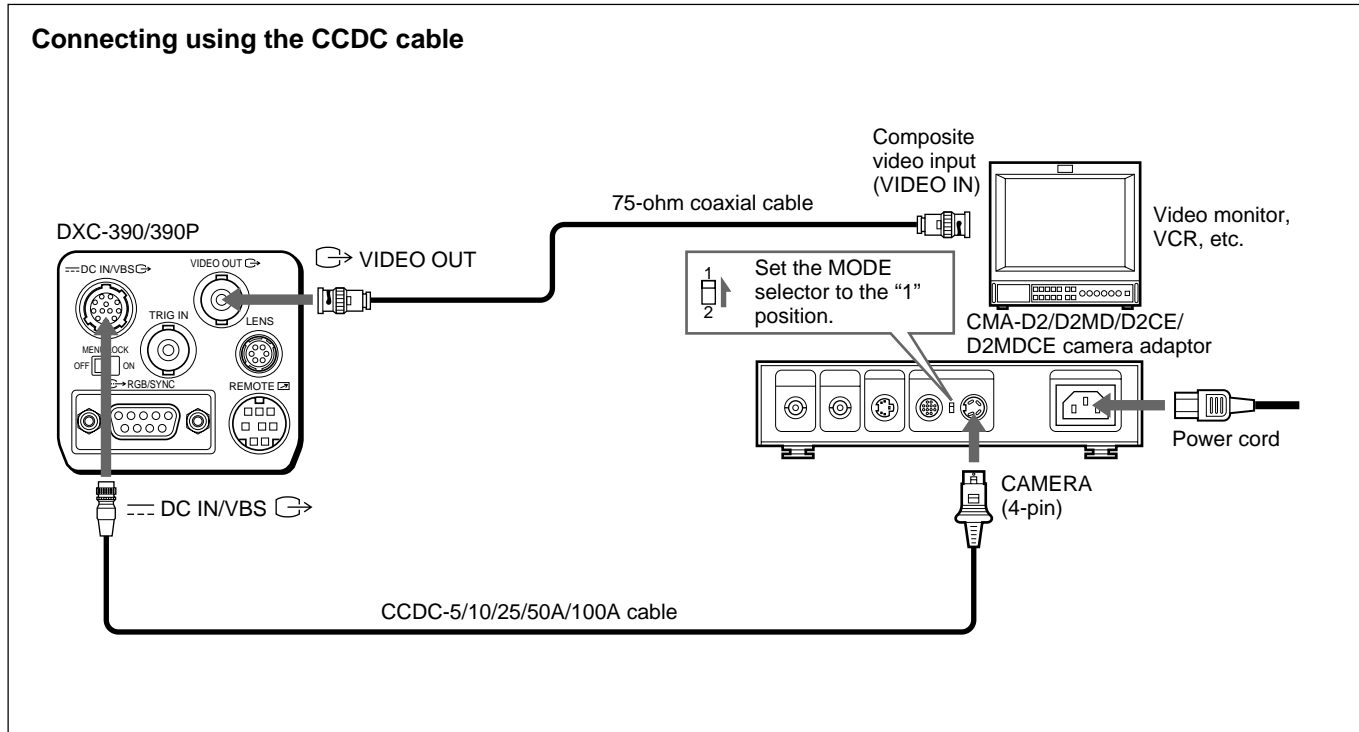
Although the CMA-D2/D2MD/D2CE/D2MDCE camera adaptor has two CAMERA connectors (4-pin and 12-pin), the power consumption of the camera is such that two camera units cannot be connected at the same time.

Using the CMA-D3/D3CE camera adaptor

The connections using the CMA-D3/D3CE camera adaptor supply power to the camera and transmit video signals to the camera adaptor. (*For connecting method, see page 52.*)

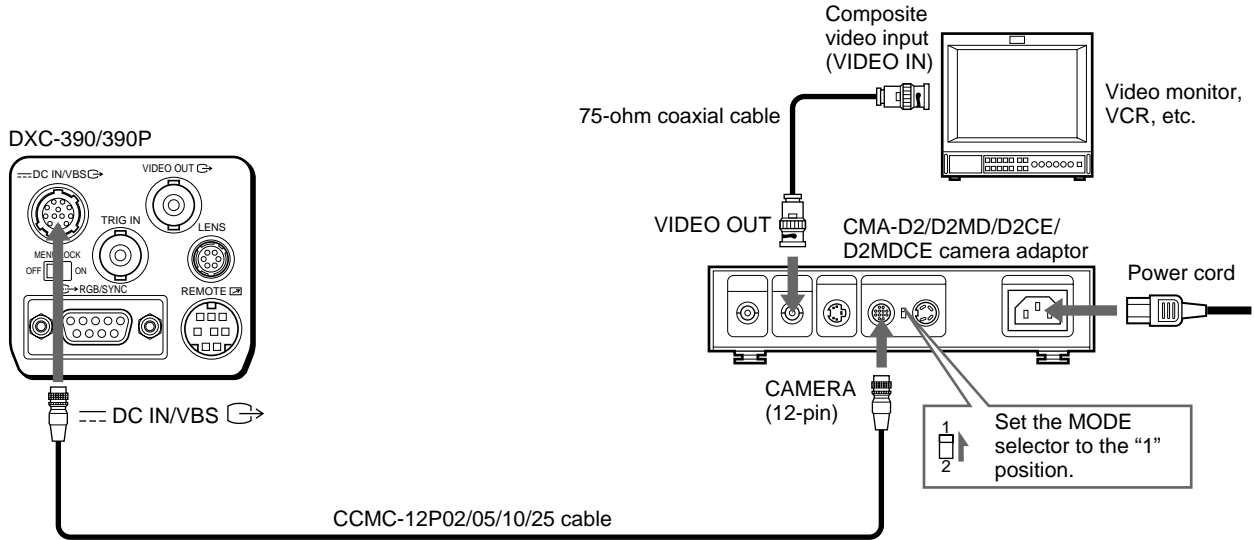
Connecting to Video Equipment with Composite Video Input Connectors

Connecting using the CCDC cable



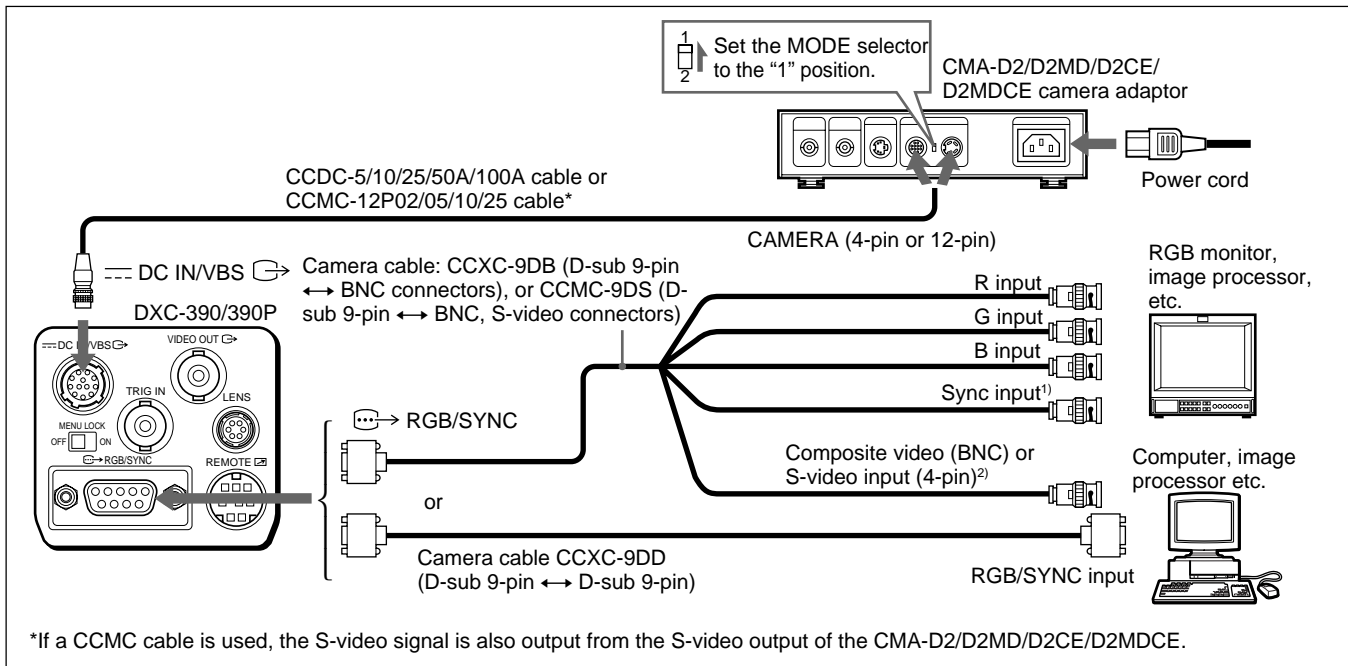
Setup using a CCDC cable (for supplying power only)

Connecting using a CCMC cable



Setup using a CCMC cable (for supplying power to camera and video signals to the camera adaptor)

Connecting to Video Equipment with RGB or S-Video Inputs



1) When using a video monitor without a sync signal input connector, the camera can be set to output a sync signal with the G signal or RGB signals.

For details, see "SYSTEM menu" on page 27.

2) This setup is for connecting to a composite video (VBS) connector. To output separated Y/C signals to the S-video input of video equipment, use a CCMC-9DS camera cable.

For details on switching camera output between VBS (composite video) and Y/C, see "SYSTEM menu" on page 27.

Connecting Two or More Cameras—Multi-Camera System

Notes on multi-camera system

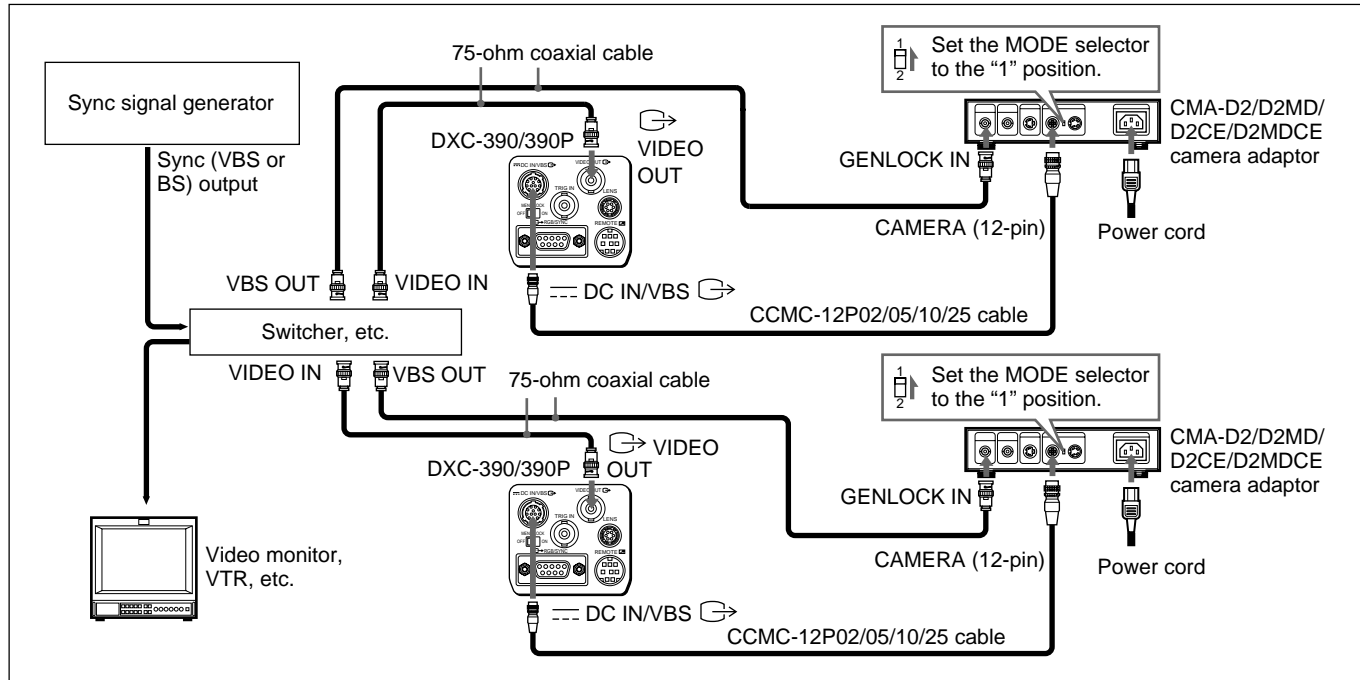
Perform the following to prevent flicker when switching between two or more cameras connected to a video switcher:

- Supply the same sync signal to the GENLOCK IN

connectors on each camera adaptor (see below).

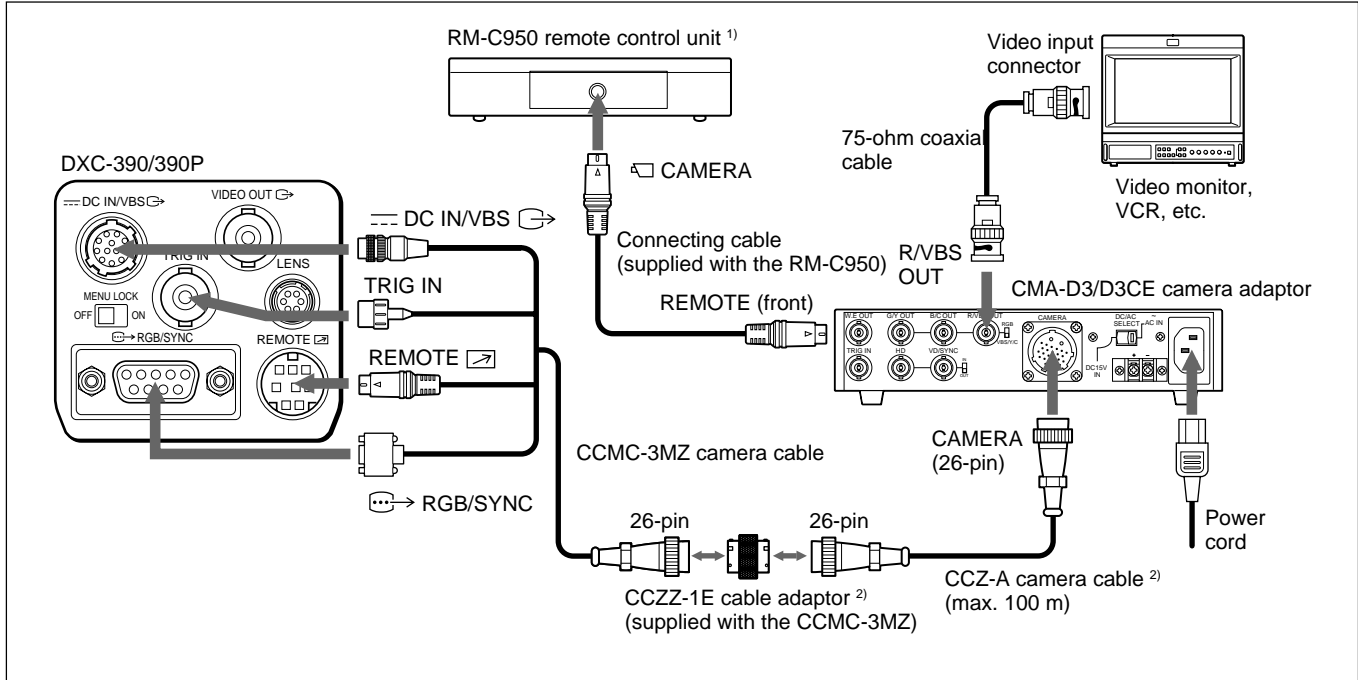
- Adjust the subcarrier and horizontal synchronization phases for all cameras.

For more details, see “Adjusting the Picture Tone in a Multi-Camera System” on page 41.



Basic System Connection

Connecting to the CMA-D3/D3CE Camera Adaptor

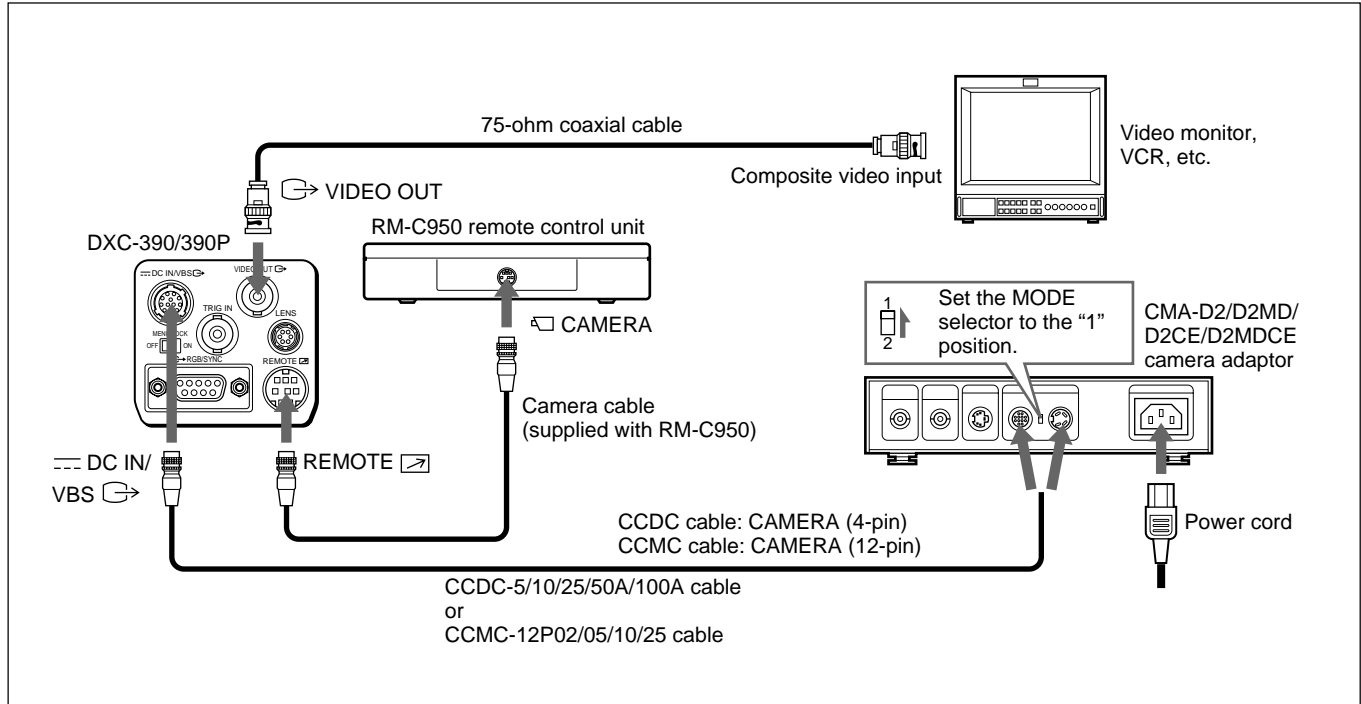


1) In this case, connect the RM-C950 remote control unit to the CMA-D3/D3CE camera adaptor.

2) To extend the cable, connect the CCMC-3MZ camera cable to the CCZ-A camera cable using the cable adaptor supplied with the CCMC-3MZ.

Connecting to a Remote Control Unit

You can connect the RM-C950 remote control unit.






Connecting to a Remote Control Unit

Operating the Camera with the RM-C950 Remote Control Unit

When the RM-C950 remote control unit is used with this camera, the names and functions of the PRINT, FLASH, LONG EXPOSURE and FUNCTION buttons and the GAIN control change as follows, in accordance with the functions of the camera.

Functions of the PRINT, FLASH, LONG EXPOSURE and FUNCTION buttons and GAIN control on the RM-C950

Buttons/control on the RM-C950	Button/control names when used with the camera	Function
PRINT 	ENTER	Use when displaying the setting menu selected in the MAIN menu, or use to set the AE window, etc. manually in the menus.
FLASH 	FILE SELECT	Use to switch a preset file between A and B.
LONG EXPOSURE ↑ ↓	SHUTTER SPEED	Use to set the shutter speed without displaying the menu when SHUTTER is set to STEP or VARIABLE in the menu.

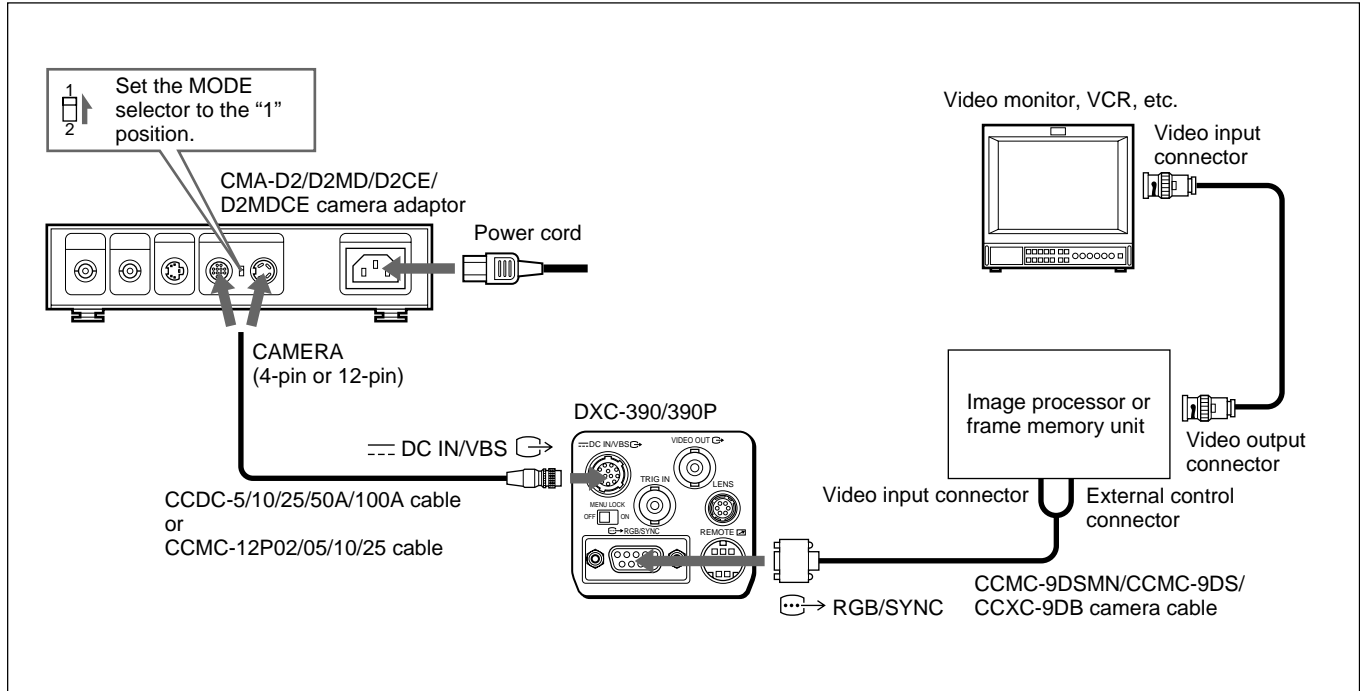
Buttons/control on the RM-C950	Button/control names when used with the camera	Function
GAIN 	GAIN	Use to change the variable range of gain levels to 0–24 dB.
FUNCTION ↑	BLACK	Use to start the auto black balance adjustment.

Attaching the supplied name sheet

The sheet for the button names when the camera is used with the remote control unit is supplied with the camera. Attach the name sheet to the control panel of the RM-C950.

- 1 Before attaching, clean the control panel of the RM-C950.
- 2 Peel off the adhesive sheet at the back of the name sheet and attach the name sheet to the panel.

Connections for Long Exposure Shooting

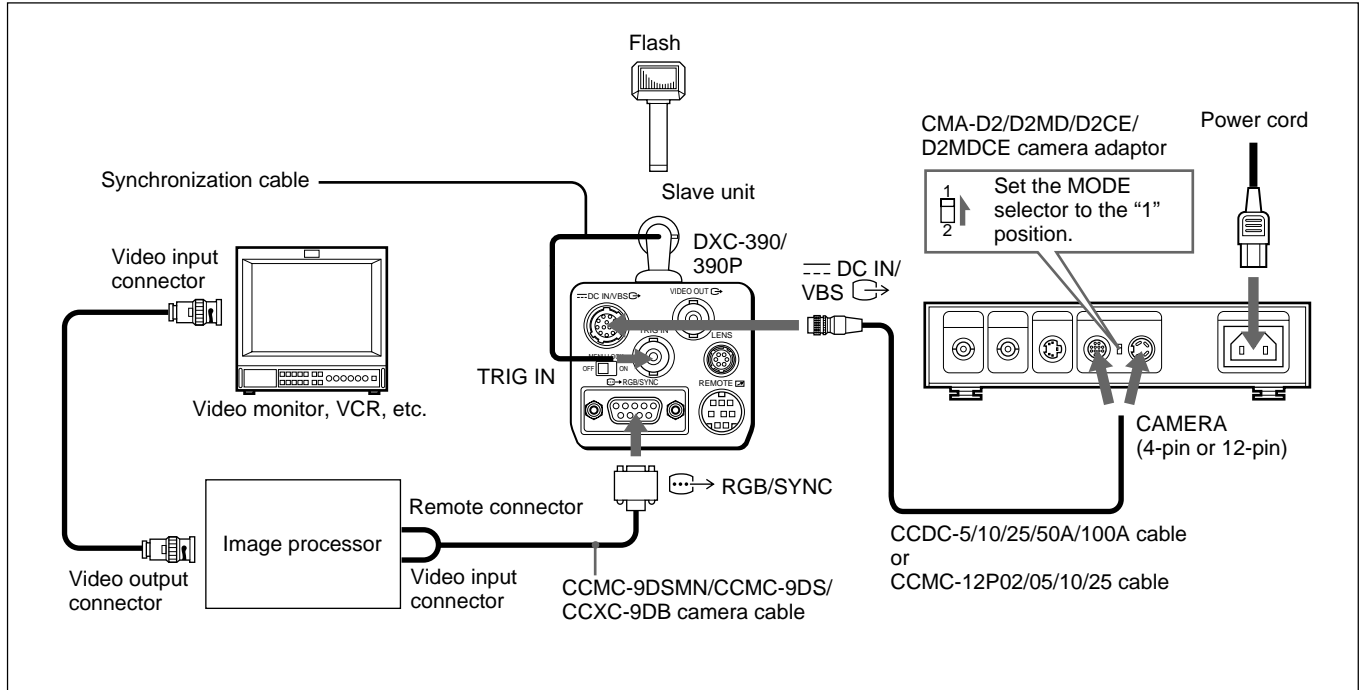


System for shooting using long exposure in VARIABLE mode for electronic shutter

Note

When shooting with long exposure, set D-SUB SYNC to WEN and RGB SYNC to G (or RGB) in the SYSTEM menu (*page 28*).

Connections for Shooting Using a Flash



Note

When connecting a flash unit, set TRIGGER to ON in the GENERAL menu (page 27) and D-SUB SYNC to WEN in the SYSTEM menu (page 28).

Precautions

Operating or storage location

Operating or storing the camera in the following locations may cause damage to the camera:

- Extremely hot or cold places (Operating temperature: -5°C to $+45^{\circ}\text{C}$ [23°F to 113°F])
- Exposed in direct sunlight for a long time, or close to heating equipment (e.g., near heaters)
- Close to sources of strong magnetism
- Close to sources of powerful electromagnetic radiation, such as radios or TV transmitters
- Locations subject to strong vibration or shock

Ventilation

To prevent heat buildup, do not block air circulation around the camera.

Transportation

When transporting the camera, repack it as originally packed at the factory or in materials equal in quality.

Cleaning

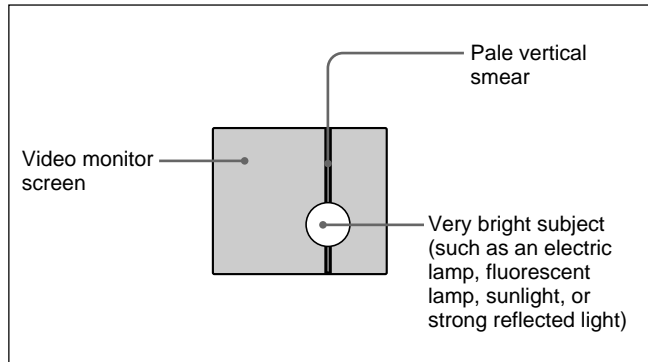
- Use a blower to remove dust from the lens or optical filter.
- Use a soft, dry cloth to clean the external surfaces of the camera. Stubborn stains can be removed using a soft cloth dampened with a small quantity of detergent solution, then wipe dry.
- Do not use volatile solvents such as alcohol, benzene or thinners as they may damage the surface finishes.

Typical CCD Phenomena

The following phenomena may appear on the monitor screen while you are using the DXC-390/390P color video camera. These phenomena stem from the high sensitivity of the CCD image sensors, and do not indicate a fault within the camera.

Vertical smear

A “smear” may appear to extend vertically from very bright subjects, as shown below.



This phenomenon is common to CCD imaging elements using an interline transfer system, and is caused when electric charge induced by infrared radiation deep within the photo sensor is transferred to the resistors.

Aliasing

When shooting fine stripes, straight lines or similar patterns, the lines may become slightly jagged.

Blemishes

A CCD image sensor consists of an array of individual picture elements (pixels). A malfunctioning sensor element will show up as a single pixel blemish in the image. This is generally not a problem.



White speckles

When you shoot a poorly illuminated object at a high temperature, small white dots may appear all over the entire screen image.

List of Messages

The following messages may appear on the screen. Take the necessary measures shown below.

Messages while adjusting the white balance automatically

Message	Meaning/remedies
WHITE: OK	Automatic white balance adjustment has succeeded.
WHITE: NG LEVEL LOW	The video level of the image is too low. <ul style="list-style-type: none">• Increase the illumination.• Widen the iris opening.• Increase the video gain. Take the measures above, then press the  WHITE button.
WHITE: NG LEVEL HIGH	The video level of the image is too high. <ul style="list-style-type: none">• Remove any brightly illuminated objects.• Decrease the illumination.• Close the iris opening.• Decrease the video gain. Take the measures above, then press the  WHITE button.
WHITE: NG TEMP LOW	Color temperature is too low. Change the color temperature of the object to the appropriate level.

Messages while adjusting the white balance automatically (continued)

Message	Meaning/remedies
WHITE: NG TEMP HIGH	Color temperature is too high. Change the color temperature of the object to the appropriate level.
WHITE: NG TRY AGAIN	The camera has failed to adjust the white balance. Add white part to the object shot. Take the measures above, then try again. If the message appears even if you repeat adjustment, the camera needs to be checked. Consult your authorized Sony dealer.

Messages while adjusting the black balance automatically

Message	Meaning/remedies
BLACK: OK	Automatic black balance adjustment has succeeded.
BLACK: NG IRIS close?	The camera has failed to adjust the black balance. Close the iris opening, then press the BLACK button.
BLACK: NG	The camera has failed to adjust the black balance. Check the camera, then press the BLACK button. If the message appears even if you repeat adjustment, the inside of the camera needs to be checked. Consult your authorized Sony dealer.

Specifications

Image system/optical system

Image device	1/3 type CCD, interline transfer type
Effective picture elements	DXC-390: 768 (horizontal) × 494 (vertical) DXC-390P: 752 (horizontal) × 582 (vertical)
Lens mount	C-mount

Video system

Synchronization	Internal/external synchronization (VBS, HD/VD), switched automatically
Signal format	DXC-390: NTSC standard format (EIA standard) DXC-390P: PAL standard format (CCIR standard)
Scanning	DXC-390: 525 lines, 2:1 interlace DXC-390P: 625 lines, 2:1 interlace
Scanning frequency	DXC-390: 15.734 kHz (horizontal), 59.94 Hz (vertical) DXC-390P: 15.625 kHz (horizontal), 50.00 Hz (vertical)

Functions/performance

Horizontal resolution	800 TV lines
Sensitivity	2000 lux (F8, 3,200K)
Signal-to-noise ratio	DXC-390: 62 dB DXC-390P: 61 dB
Gain control	AGC: Automatic Gain Control STEP: 0–24 dB (in units of 1 dB) HYPER
White balance	AWB: R. PAINT, B. PAINT MANUAL: R. GAIN, B. GAIN ATW: R. PAINT, B. PAINT 3200K 5600K
Electronic shutter speed	Adjustable in the range from 1/100000 to about 8.0 sec. (adjustable with CCD IRIS)
Linear matrix	ON/OFF switchable
Gamma compensation	ON/OFF switchable
Charge accumulation mode	Switchable between field and frame mode

(Continued)

Specifications

Inputs/outputs

Video input/output signals

Composite video: 1 Vp-p (75 ohms)

R/G/B: 1.0 Vp-p (75 ohms at R/G/B on Sync)

Y: 1 Vp-p (75 ohms)

Y/C: 1 Vp-p, same level as VBS chroma,
75 ohms

SYNC: 2 Vp-p, 75 ohms

External sync input

VBS/BS, HD/VD (VBS 1 Vp-p or Burst

0.3 Vp-p, SYNC 0.3 Vp-p or HD/VD

4.0 Vp-p, 75 ohms)

Input/output connectors

VIDEO OUT: BNC, 75 ohms, unbalanced

DC IN/VBS: 12-pin

REMOTE: mini DIN 18-pin

TRIG IN: BNC, TTL

RGB/SYNC: D-sub 9-pin

LENS: 6-pin connector for the zoom lens
especially designed for this camera

General

Power supply

12 V DC

Power consumption

Approx. 7.6 W

Operating temperature

-5°C to +45°C (23°F to +113°F)

Storage and transport temperature

-20°C to +60°C (-4°F to +140°F)

Operating humidity

20% to 80% (free of condensation)

Storage and transport humidity

20% to 90% (free of condensation)

Dimensions

56 × 50 × 128 mm (2 1/4 × 2 × 5 1/8 inches)

(w/h/d) (not including the projecting parts)

Mass

Approx. 370 g (13 oz)

Supplied accessories

Lens mount cap (1)

Tripod adaptor (1)

Name sheet for the buttons on the RM-C950

(1)

Instructions for Use (1)

Warranty card (1) (DXC-390 only)

Sales companies' guide (1) (DXC-390P only)

Medical specifications

Protection against electric shock

Class I

Protection against harmful ingress of water

Ordinary

Degree of safety in the presence of flammable anesthetics or oxygen

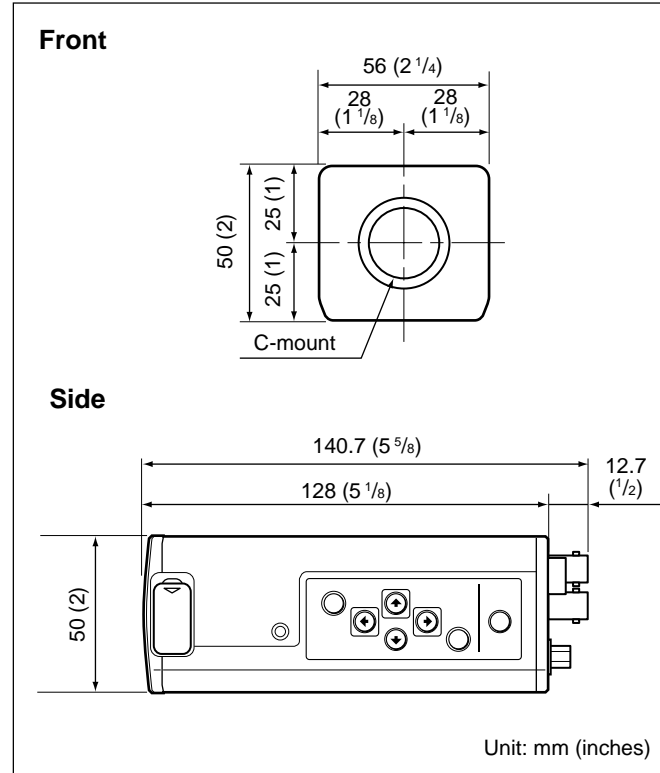
Not suitable for use in the presence of flammable anesthetics or oxygen

Mode of operation

Continuous

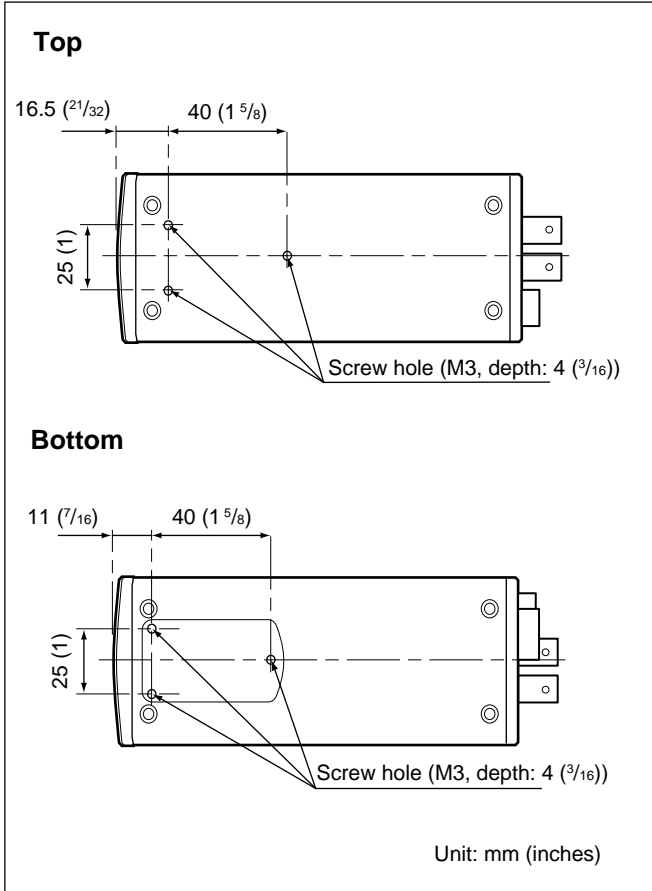
Design and specifications are subject to change without notice.

Dimensions



(Continued)

Specifications



Optional Accessories

Lenses

VCL-614WEA zoom lens (14 ×, f = 5.5 – 77 mm)

VCL-610WEA zoom lens (10 ×, f = 6.5 – 65 mm)

Camera adaptor

CMA-D2 camera adaptor (for NTSC format)

CMA-D2MD camera adaptor (for NTSC format, medical use)

CMA-D2CE camera adaptor (for PAL format)

CMA-D2MDCE camera adaptor (for PAL format, medical use)

CMA-D3 camera adaptor (for NTSC format)

CMA-D3CE camera adaptor (for PAL format)

Remote control unit

RM-C950 remote control unit (connecting cable supplied)

Power supply cable

CCDC series (length: 5 m [16 ft], 10 m [32 ft], or 25 m [82 ft])

CCDC-A series (length: 50 m [164 ft], or 100 m [328 ft])

CCMC series (length: 2 m [7 ft], 5 m [16 ft], 10 m [32 ft], or 25 m [82 ft])

CCMC-3MZ (length: 3 m [10 ft])

CCZ-A series (length: 2 m [7 ft], 5 m [16 ft], 10 m [32 ft], 25 m [82 ft], 50 m [164 ft] or 100 m [330 ft])

Camera cable

CCXC-9DB (D-sub ↔ BNC × 5)

CCXC-9DD (D-sub ↔ D-sub)

CCMC-9DS (D-sub ↔ BNC × 4, S-video connector)

CCMC-9DSMN (D-sub ↔ BNC × 3, phono jack, S-video connector)

AVERTISSEMENT

Pour éviter tout risque d'incendie ou d'électrocution, ne pas exposer cet appareil à la pluie ou à l'humidité.

Pour prévenir tout risque d'électrocution, ne pas ouvrir le boîtier. Confier l'entretien de cet appareil exclusivement à un personnel qualifié.

Pour les clients européens (DXC-390P uniquement)

Ce produit portant la marque CE est conforme à la Directive sur la compatibilité électromagnétique (EMC) (89/336/CEE) émise par la Commission de la Communauté européenne. La conformité à cette directive implique la conformité aux normes européennes suivantes:

- EN55103-1: Interférences électromagnétiques (émission)
- EN55103-2: Sensibilité électromagnétique (immunité)

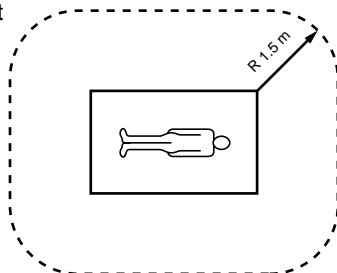
Ce produit est prévu pour être utilisé dans les environnements électromagnétiques suivants:

E1 (résidentiel), E2 (commercial et industrie légère), E3 (urbain extérieur) et E4 (environnement EMC contrôlé ex. studio de télévision).

Instructions de sécurité importantes en vue d'une utilisation dans un environnement médical

1. Tous les équipements raccordés à cet appareil doivent être agréés suivant les normes CEI60601-1, CEI60950, CEI60065 ou les autres normes CEI/ISO applicables à ces équipements.
2. Si cet appareil est utilisé conjointement avec d'autres équipements à proximité d'un patient*, ces équipements doivent être alimentés par un transformateur d'isolement ou raccordés à la mise à la terre du système par une borne de terre de protection, sauf s'ils sont agréés suivant la norme CEI60601-1.

* Proximité d'un patient



3. Dans le cas d'une connexion à d'autres équipements, le courant de fuite peut augmenter.

4. Cet appareil génère, utilise et peut émettre des radiofréquences. S'il n'est pas installé et utilisé conformément au mode d'emploi, il peut provoquer des interférences avec d'autres appareils. Si cet appareil génère des interférences (ce que l'on peut facilement contrôler en débranchant le cordon d'alimentation de l'appareil), appliquez l'une des mesures suivantes :
Installez cet appareil à un autre endroit en tenant compte de l'autre équipement. Branchez cet appareil et l'autre équipement sur des circuits d'alimentation différents. Consultez votre revendeur.
(Conforme aux normes EN60601-1-2 et CISPR11, Classe B, Groupe 1)

Attention

Lors de l'élimination de l'appareil et de ses accessoires, vous devez vous conformer aux dispositions légales en vigueur dans votre région ou pays ainsi qu'au règlement de l'hôpital.

Table des matières

Chapitre 1

Présentation

Caractéristiques	6
Emplacement et fonction des composants et des commandes	8
Panneau frontal/Panneau supérieur/ Panneau inférieur	8
Panneau latéral droit (panneau de commande)	9
Panneau arrière	11

Chapitre 2

Opération

Ajustements et réglages à l'aide des menus	12
Configuration du menu	12
Pilotage par menus	14
Fonctions des menus	16
Réglages initiaux des menus	31
Prise de vues	32
Réglage du tirage mécanique image	32
Procédure de prise de vues de base	35
Réglage du diaphragme, de la mise au point et du zoom	36
Réglage de la balance des noirs	38
Réglage de la balance des blancs	39
Réglage de la tonalité de l'image dans un système multicaméra	41

Chapitre 3

Installation et raccordement

Installation	42
Objectifs	42
Montage de l'objectif	43
Montage d'un adaptateur pour microscope	45
Montage sur un trépied	45
Montage au mur ou au plafond	45
Raccordement de base du système	47
Raccordement à un appareil vidéo équipé de connecteurs d'entrée vidéo composites	48
Raccordement à un appareil vidéo équipé d'entrées RVB ou S-VIDEO	50
Raccordement de deux caméras ou plus— Système multicaméra	51
Connexion de l'adaptateur de caméra CMA-D3/D3CE	52
Raccordement d'une unité de télécommande	53
Exploitation de la caméra à l'aide de la télécommande RM-C950	54
Raccordement à un ordinateur	55
Raccordement pour les prises de vues à exposition longue	56
Raccordement pour les prises de vues au flash	57

Chapitre 4

Appendice

Précautions	58
Phénomènes typiques du CCD	59
Liste des messages	60
Spécifications	61
Accessoires en option	65

Présentation

Caractéristiques

Haute qualité d'images

- Le CCD¹⁾ Exwave HAD^{TM2)} de 1/3 pouces haute densité à trois puces, contenant quelque 380.000 (DXC-390) ou 430.000 (DXC-390P) éléments d'image effectifs (pixels), offre une qualité d'image supérieure: 800 lignes TV de haute résolution horizontale, sensibilité élevée de F8 à 2.000 lx, excellent rapport signal/bruit de 62 dB (DXC-390) ou 61 dB (DXC-390P) et faible niveau de maculage.
- L'adoption de la technologie de traitement de signal numérique LSI assure la reproduction d'une image plus finement détaillée.
- Le traitement DynaLatitude vous permet de régler le contraste avec précision en fonction du niveau du signal de luminance de chaque élément d'image.

- La fonction DCC+ (Dynamic Contrast Control plus) minimise les phénomènes de blanchissement de toute la surface de l'écran et de perte des couleurs d'une partie de l'image lors des prises de vues de sujets très lumineux.
- La fonction Partial Enhance vous permet de régler la netteté et la teinte uniquement d'une couleur spécifique.

Large plage de réglage de l'exposition

La fonction AGC (Auto Gain Control) et la fonction CCD IRIS^{TM3)} règlent automatiquement une large plage de niveaux de lumière entrante. Lorsque les conditions d'éclairage sont faibles, la fonction AGC augmente automatiquement le gain jusqu'à 16 fois. Lorsque la lumière entrante est excessive, la fonction CCD IRIS règle

1) CCD: Dispositif à couplage de charge

2) Exwave HADTM: Exwave Hole-Accumulated Diode
"Exwave HADTM" est une marque commerciale de Sony Corporation.

3) "CCD IRISTM" est une marque commerciale de Sony Corporation.

automatiquement la vitesse d'obturation pour couper l'exposition jusqu'à un équivalent de 10 diaphragmes. Lors de l'utilisation d'une caméra vidéo dans un endroit fixe ou pour un système de microscope, les commandes AGC, CCD IRIS et de diaphragme automatique règlent automatiquement une large plage de niveaux de lumière entrante. Pour un système de microscope, utilisez les fonctions AGC et CCD IRIS. La fenêtre AE voulue peut être réglée à l'aide de la fonction AE AREA MANUAL.

Large palette de modes d'obturation électronique

Le large éventail de vitesses pour l'obturateur électronique minimise le flou des sujets animés de mouvements rapides et produit des images fixes d'une luminosité acceptable d'objets dans des conditions de faible éclairément.

- Mode de réduction du scintillement: Ce mode vous permet d'obtenir des images exemptes de scintillement même sous une lumière fluorescente.
- Mode d'atténuation de balayage: Ce mode réduit les bandes horizontales qui apparaissent sur les écrans d'ordinateurs lors des prises de vues d'écrans avec la caméra vidéo classique.

Utilisation polyvalente avec un appareil externe

- La caméra vidéo est équipée de trois types de sorties: composite, Y/C et RVB. La caméra offre une haute qualité d'image sur un moniteur ou un magnétoscope raccordé.
- La caméra peut être commandée à distance à l'aide d'une télécommande RM-C950 (non fournie).

Interface RS-232C

La caméra peut être commandée au départ d'un ordinateur via l'interface RS-232C.

Pour plus de détails, consultez votre revendeur Sony agréé.

Compact et légère

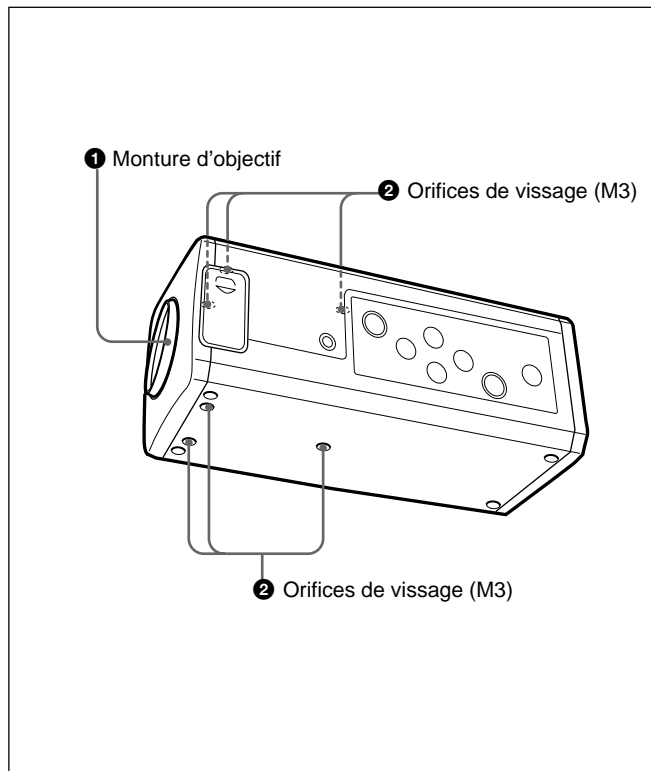
La caméra est compacte (56 × 50 × 128 mm (2 1/4 × 2 × 5 1/8 pouces)) et très légère (approx. 370 g (13 oz)), ce qui permet de l'installer facilement même là où la place fait défaut.

Voici quelques exemples d'applications:

- Comme appareil permanent dans les théâtres, salles de concert, etc.
- Caméra pour vues à vol d'oiseau lors d'événements spéciaux
- Caméra pour système de vidéoconférence
- Caméra pour microscope
- Caméra de contrôle météorologique de toiture
- Caméra de contrôle de laboratoire

Emplacement et fonction des composants et des commandes

Panneau frontal/Panneau supérieur/ Panneau inférieur



1 Monture d'objectif (monture C)

Installez-y un objectif à monture C ou un adaptateur pour microscope.

Remarque

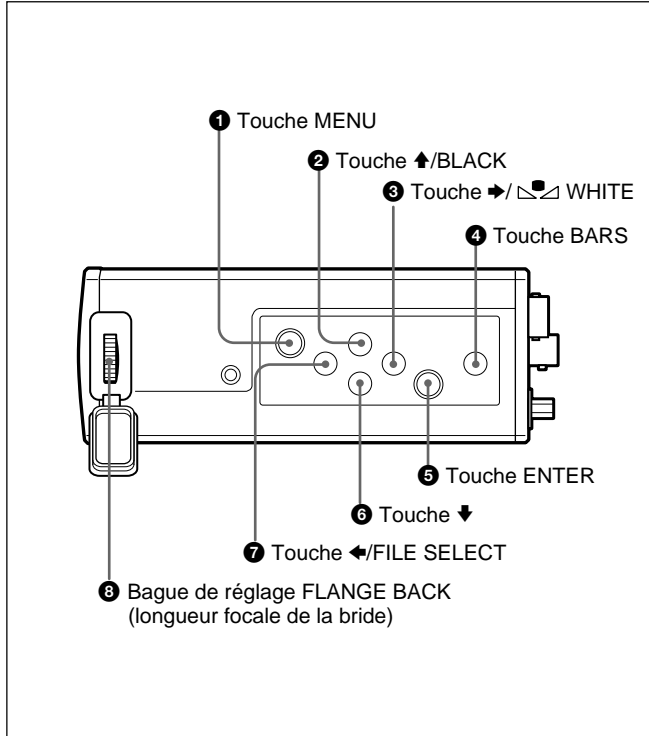
Veillez à employer un objectif dont la saillie par rapport à la surface de montage de l'objectif est inférieure à 4,3 mm. L'installation d'un objectif avec une saillie de plus de 4,3 mm risque d'endommager le mécanisme interne de la caméra.

2 Orifices de vissage

Utilisez ces orifices (M3, profondeur: 4 mm ($\frac{3}{16}$ pouces)) pour fixer l'adaptateur de trépied fourni sur la caméra en vue du montage de la caméra au mur, au plafond ou sur un trépied.

Pour le montage de l'adaptateur de trépied, voir "Montage sur un trépied" à la page 45.

Panneau latéral droit (panneau de commande)



1 Touche MENU

Affiche le menu principal (MAIN) sur l'écran d'un moniteur. Appuyez de nouveau sur cette touche pour quitter le menu. Lorsqu'un paramètre de menu est affiché, appuyez sur cette touche pour revenir au menu MAIN.

Pour l'exploitation du menu, voir "Pilotage par menus" à la page 14.

2 Touche ↑/BLACK (balance des noirs)

Lorsque le menu est affiché: Déplace le curseur du menu vers le haut. Utilisez également cette touche pour le réglage d'une fenêtre AE, etc.

Lorsque l'écran normal est affiché: Active le réglage automatique de la balance des noirs.

3 Touche →/WHITE (balance des blancs)

Lorsque le menu est affiché: Augmente la valeur de réglage ou change le réglage. Utilisez également cette touche pour le réglage d'une fenêtre AE, etc.

Lorsque l'écran normal est affiché: Active le réglage automatique de la balance des blancs lorsque MODE est réglé sur AWB dans le menu WHITE BALANCE.

Emplacement et fonction des composants et des commandes

4 Touche BARS (sortie signal de barres de couleur)
Sort le signal de barres de couleur. Appuyez de nouveau sur cette touche pour revenir à la sortie du signal vidéo.
Pour le réglage du moniteur, consultez votre revendeur Sony agréé.

5 Touche ENTER
Sélection d'un menu de réglage dans le menu principal (MAIN). Utilisez également cette touche pour le réglage d'une fenêtre AE, etc.

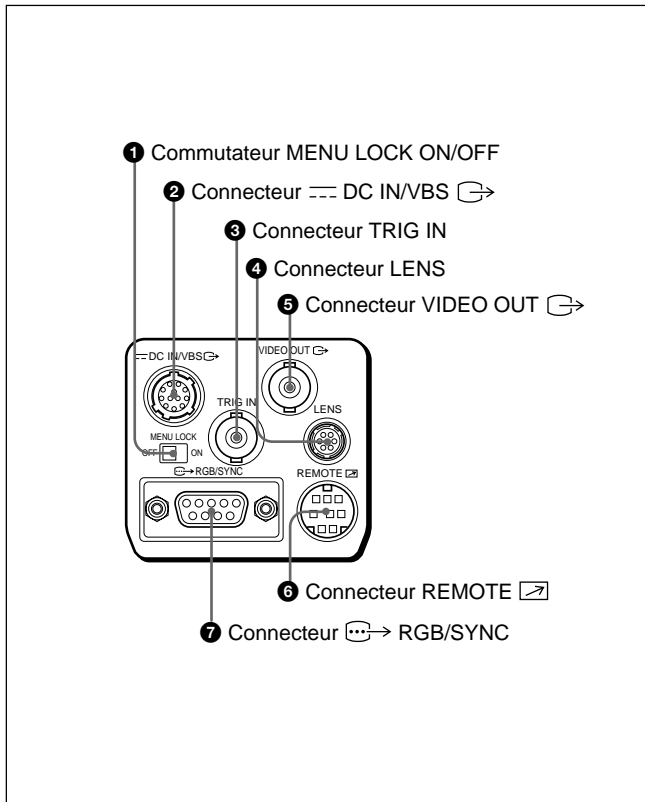
6 Touche ↓
Déplace le curseur du menu vers le bas. Utilisez également cette touche pour le réglage d'une fenêtre AE, etc.

7 Touche ←/FILE SELECT
Lorsque le menu est affiché: Diminue la valeur de réglage ou change le réglage. Utilisez également cette touche pour le réglage d'une fenêtre AE, etc.

Lorsque l'écran normal est affiché: Commute les fichiers de réglages programmés A et B.

8 Bague de réglage FLANGE BACK (longueur focale de la bride)
Ajuste le tirage mécanique image d'un objectif qui n'est pas équipé de cette fonction.
Pour plus de détails sur le réglage du tirage mécanique image, voir "Réglage du tirage mécanique image" à la page 32.

Panneau arrière



1 Commutateur MENU LOCK ON/OFF

Lorsque ce commutateur est réglé sur ON, le menu ne s'affiche pas sur l'écran même si vous appuyez sur la touche MENU.

2 Connecteur DC IN/VBS  (entrée CC/sortie signal vidéo) (12 broches)

Connexion de l'adaptateur de caméra CMA-D2/D2MD/D2CE/D2MDCE/D3/D3CE. Entre l'alimentation CC et sort le signal vidéo.

3 Connecteur TRIG IN (type BNC)

Connexion d'un appareil asservi disponible dans le commerce par conversion au type BNC en mode stroboscopique.

4 Connecteur LENS (6 broches)

Connexion d'un câble de commande d'objectif dans le cas de l'installation du zoom spécialement conçu pour cette caméra.

5 Connecteur VIDEO OUT  (type BNC)

Sort un signal vidéo composite.

6 Connecteur REMOTE  (miniconnecteur DIN à 8 broches)

Connexion d'une télécommande RM-C950 (non fournie).

7  Connecteur RGB/SYNC (D-sub à 9 broches)

Sort les signaux RVB et leurs signaux de synchronisation respectifs.

Utilisez le câble de connexion CCXC-9DB/CCXC-9DD/CCMC-9DS pour un raccordement avec l'adaptateur de caméra CMA-D2/D2MD/D2CE/D2MDCE.

Pour un raccordement avec l'adaptateur CMA-D3/D3CE, utilisez le câble de connexion CCMC-3MZ.

Opération

Ajustements et réglages à l'aide des menus

Les réglages opérationnels de la caméra peuvent être changés par de simples ajustements des paramètres de réglage des menus affichés sur écran. Les paramètres peuvent être ajustés pour obtenir les meilleurs résultats possibles dans des conditions de prise de vues données ou pour accentuer l'image au moyen d'effets spéciaux.

Configuration du menu

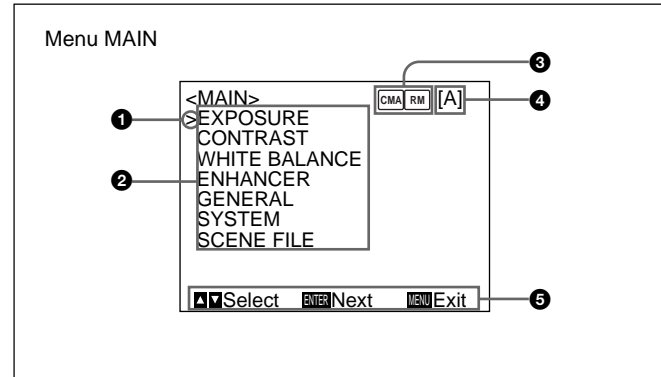
Avant de commencer à exploiter les menus, assurez-vous que le commutateur MENU LOCK ON/OFF du panneau arrière est réglé sur OFF.

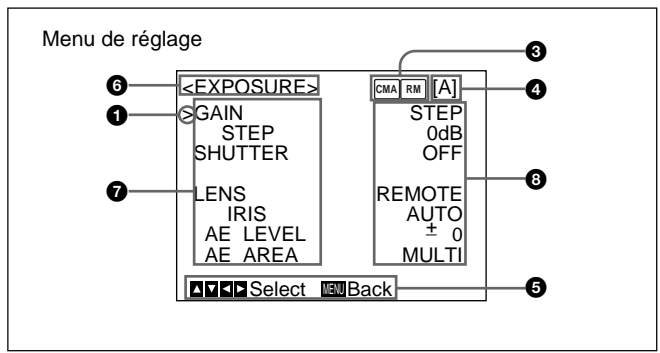
Pour afficher un menu, appuyez sur la touche MENU du panneau latéral droit. Le menu MAIN apparaît sur l'écran du moniteur.

Les paramètres du menu s'affichent en les sélectionnant à l'aide de la touche **↑** ou **↓** et en appuyant ensuite sur la touche ENTER.

A propos des menus affichés sur l'écran

Cette section vous explique comment lire les menus affichés sur l'écran avant de commencer à exploiter les menus.





1 Curseur

Sélectionne un menu de réglage ou un paramètre de réglage. Déplacez le curseur vers le haut ou vers le bas à l'aide de la touche ↑ ou ↓.

2 Réglage des paramètres de menu

Lorsque vous sélectionnez un paramètre à l'aide de la touche ↑ ou ↓ et que vous appuyez sur la touche ENTER, le menu de réglage et d'ajustement de ce paramètre apparaît.

3 Conditions de connexion

L'indicateur change en fonction de l'équipement raccordé au connecteur REMOTE de la caméra.

[RM]: lorsque la télécommande RM-C950 est raccordée

[CMA]: lorsque l'adaptateur de caméra CMA-D3/D3CE est raccordé à l'aide du câble de connexion CCMC-3MZ

[CMA] [RM]: lorsque l'adaptateur de caméra CMA-D3/D3CE est raccordé à l'aide du câble de connexion CCMC-3MZ, et lorsque la télécommande RM-C950 est connectée au connecteur REMOTE de l'appareil CMA-D3/D3CE

4 Fichier de réglages programmés

Vous pouvez mémoriser deux types de réglages présélectionnés dans les fichiers A et B. Indique le fichier de réglages programmés actuellement sélectionné (A ou B).

5 Message opérationnel

Indique comment exploiter le menu actuellement affiché.

6 Menu de réglage

Indique le menu de réglage actuellement sélectionné.

7 Paramètres de réglage

Indique les paramètres qui peuvent être réglés dans chaque menu de réglage. Sélectionnez un paramètre en plaçant le curseur en regard à l'aide de la touche ↑ ou ↓.

8 Valeurs de réglage

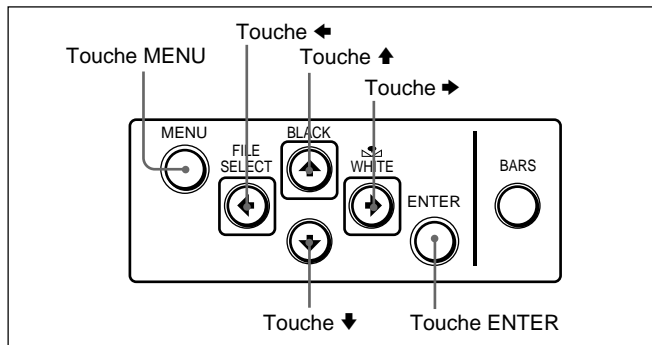
Les valeurs de réglage en cours sont affichées. Changez les valeurs à l'aide de la touche ◀ ou ▶.

Ajustements et réglages à l'aide des menus

Pilotage par menus

Touches de pilotage par menus

Exploiter les menus en utilisant les touches du panneau latéral droit.

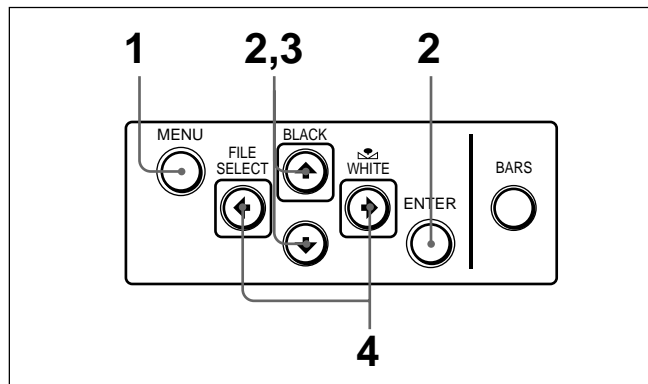


Le tableau suivant présente les fonctions des touches.

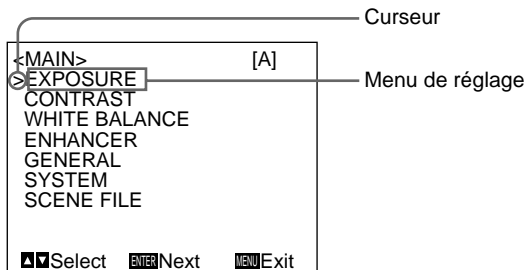
Touche	Fonction
MENU	Affiche le menu MAIN.
Touche ↑	Déplace le curseur vers le haut.
Touche ↓	Déplace le curseur vers le bas.
Touche ←	Change le réglage/diminue la valeur.
Touche →	Change le réglage/augmente la valeur.

Procédure de pilotage par menus

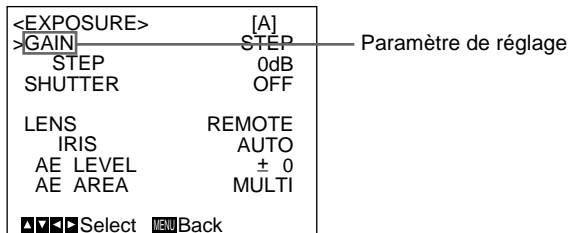
Pour changer les réglages du menu, procédez comme suit.



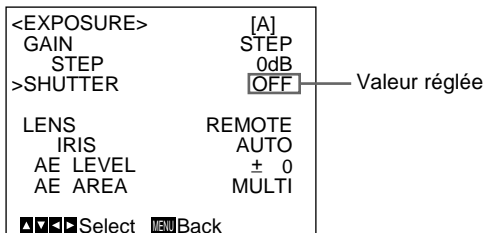
- 1 Appuyez sur la touche MENU.
Le menu MAIN apparaît.



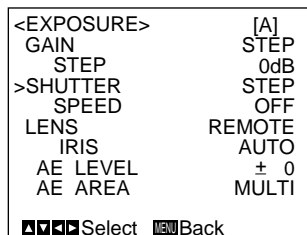
- 2** Déplacez le curseur sur le paramètre de menu à régler en appuyant sur la touche **▲** ou **▼** et appuyez ensuite sur la touche **ENTER**.
Le menu de réglage apparaît.



- 3** Déplacez le curseur sur le paramètre à régler en appuyant sur la touche **▲** ou **▼**.



- 4** Changez la valeur en appuyant sur la touche **◀** ou **▶**. Maintenez la touche enfoncée pour changer la valeur plus rapidement.



Pour restaurer la valeur de réglage initiale

Sélectionnez le paramètre à réinitialiser et appuyez ensuite simultanément sur les touches **◀** et **▶**.

Pour la valeur de réglage initiale de chaque paramètre, voir "Réglages initiaux des menus" à la page 31.

Pour revenir à l'écran normal

Appuyez sur la touche **MENU** pendant que le menu **MAIN** est affiché.

Lorsqu'un menu de réglage est affiché, appuyez sur la touche **MENU** pour revenir au menu **MAIN** et appuyez ensuite de nouveau sur cette touche pour revenir à l'écran normal.

Fonctions des menus

Menu EXPOSURE

Règle les paramètres liés à l'exposition comme le gain et le mode d'obturation.

<EXPOSURE>	[A]
>GAIN	STEP
STEP	0dB
SHUTTER	OFF
LENS	REMOTE
IRIS	AUTO
AE LEVEL	± 0
AE AREA	MULTI
Select Back	

Paramètres de réglage du menu EXPOSURE

Para. de régl.	Description du réglage	Page réf.
GAIN	Réglage du gain vidéo.	16
STEP	Réglage du niveau de gain.	16
SHUTTER	Réglage des modes de l'obturateur électronique.	16
LENS	Réglage du mode de diaphragme.	18
IRIS	Réglage automatique ou manuel du diaphragme.	19
AE LEVEL	Réglage précis du point de focalisation en mode de réglage automatique de l'exposition.	19
AE AREA	Réglage de la fenêtre AE dans les modes AGC, CCD IRIS ou de réglage automatique du diaphragme.	19

GAIN

Règle le gain vidéo.

Sélection	Fonction
STEP	Réglage du gain vidéo sur le niveau désiré. Utilisez cette fonction pour les prises de vues à des endroits extrêmement sombres où l'ouverture complète du diaphragme de l'objectif ne produit pas une image d'une luminosité acceptable. Le niveau du gain peut être réglé dans une plage comprise entre 0 et 24 dB par incréments de 1 dB.
AGC	Réglage automatique du gain. Le gain est réglé automatiquement en fonction de la luminosité de l'objet de la prise de vues. Ce réglage est très pratique pour les prises de vues dans des conditions de luminosité changeante. Vous pouvez sélectionner le niveau de réglage maximal du gain sur 6, 12, 18 ou 24 dB avec le paramètre LIMIT.
HYPER	Augmente le gain vidéo d'environ 30 dB. Ce paramètre est très pratique lorsque les conditions d'éclairage sont très sombres.

SHUTTER (obturateur électronique)

Sélectionne les modes d'obturation électronique.

Cette fonction vous permet d'obtenir des images sans flou d'objets animés de mouvements rapides et des images fixes d'une luminosité acceptable d'objets dans des conditions de faible éclairage.

Sélection	Fonction
OFF	Aucun mode d'obturation électronique n'est activé.
STEP	<p>Réglage de la vitesse d'obturation sur l'une des 15 vitesses du mode d'exposition longue et 11 vitesses du mode d'exposition à grande vitesse.</p> <p>Sélectionnez SPEED et réglez la vitesse d'obturation sur l'une des valeurs suivantes:</p> <p>Mode d'exposition longue: 0,1, 0,2, 0,3, 0,5, 1,0, 1,5, 2,0, 2,5, 3,0, 3,5, 4,0, 5,0, 6,0, 7,0 et 8,0 s.</p> <p>Pour régler la vitesse, affichez OFF en appuyant simultanément sur les touches ◀ et ▶ et sélectionnez ensuite la valeur voulue en appuyant sur la touche ►. Chaque pression sur la touche change la vitesse dans l'ordre indiqué ci-dessus.</p> <p>Mode de grande vitesse: FL (sans scintillements), 1/125, 1/250, 1/500, 1/1000, 1/2000, 1/4000, 1/10000, 1/20000, 1/40000, 1/100000</p> <p>Pour régler la vitesse, affichez OFF en appuyant simultanément sur les touches ◀ et ▶ et sélectionnez ensuite la valeur voulue en appuyant sur la touche ◀. Chaque pression sur la touche change la vitesse dans l'ordre indiqué ci-dessus.</p> <p>Lorsque vous utilisez la caméra dans une zone à éclairage de 50 Hz (DXC-390) ou de 60 Hz (DXC-390P), la position FL assure des images exemptes de scintillements même sous un éclairage fluorescent.</p>

Sélection	Fonction
VARIABLE	<p>Accord fin du niveau de sortie vidéo en mode d'exposition longue (mode de vitesse lente) ou en mode d'atténuation de balayage (mode de grande vitesse).</p> <p>Mode d'exposition longue Vous pouvez régler la valeur SPEED par unités de 1 photogramme. Par exemple, si vous la réglez sur 50 photogrammes (environ 1,7 secondes), le signal vidéo produit durant cette période est sorti sous la forme d'un photogramme complet à intervalles d'environ 1,7 secondes. Ces images, qui contiennent 50 photogrammes vidéo, sont beaucoup plus brillantes que des images normales à un seul photogramme. Ce mode est très pratique pour les prises de vues d'objets faiblement éclairés dans des endroits sombres.</p> <p>Réglage de la vitesse d'obturation</p> <ol style="list-style-type: none"> 1 Affichez OFF en appuyant simultanément sur les touches ◀ et ▶. 2 Sélectionnez la valeur SPEED en appuyant sur la touche ►. Chaque fois que vous appuyez sur cette touche, la valeur change par unités de 1 photogramme. <p>Conversion de la valeur en vitesse d'obturation Exemple: Si la valeur est réglée sur 5 photogrammes $5 \times 1/30 = 0,1666$ seconde (DXC-390) $5 \times 1/25 = 0,2000$ seconde (DXC-390P)</p> <p>Remarques</p> <ul style="list-style-type: none"> • N'utilisez pas les fonctions AGC, CCD-IRIS, ATW, DCC+ et DYNALATITUDE en mode d'exposition longue. • Si vous réglez la vitesse d'obturation sur 1 seconde ou plus, réglez le niveau du gain sur 0 dB.

(suite page suivante)

Ajustements et réglages à l'aide des menus

Sélection	Fonction
VARIABLE (suite)	<p>Mode d'atténuation de balayage Vous pouvez régler la vitesse d'obturation par unités de 1H (temps de balayage horizontal: 63,56 µs pour le DXC-390, 64,00 µs pour le DXC-390P). Sélectionnez SPEED et sélectionnez ensuite une valeur entre 1/525H et 262/525H (DXC-390) ou entre 1/625H et 312/625H (DXC-390P). Ce mode peut être utilisé pour réaliser des prises de vues d'écrans d'ordinateurs en réduisant les bandes horizontales qui apparaissent au travers de l'écran.</p> <p>Réglage de la vitesse d'obturation 1 Affichez OFF en appuyant simultanément sur les touches ◀ et ▶. 2 Sélectionnez la valeur SPEED en appuyant sur la touche ▶ tout en observant les parasites sur l'écran du moniteur de façon à obtenir une image avec le moins de parasites possible. Chaque fois que vous appuyez sur cette touche, la valeur change par unités de 1H.</p> <p>Conversion de la valeur en vitesse d'obturation Exemple: Si la valeur est réglée sur 250H DXC-390: $250 \times 63,56 \mu\text{s} (1\text{H}) + 34,9 \mu\text{s} (\text{constante})$ $= 15924,9 \mu\text{s} = \text{Approx. } 0,016 \text{ seconde}$ DXC-390P: $250 \times 64,00 \mu\text{s} (1\text{H}) + 35,0 \mu\text{s} (\text{constante})$ $= 16035,0 \mu\text{s} = \text{Approx. } 0,016 \text{ seconde}$</p>
CCD-IRIS	Réglage automatique du niveau de luminance pour un niveau de sortie optimal. Lorsque la lumière entrante est excessive, cette fonction règle automatiquement la vitesse d'obturation pour couper l'exposition jusqu'à un équivalent de 10 diaphragmes.

Sélection	Fonction
CCD-IRIS (suite)	<p>Par exemple, cette fonction est pratique pour les applications au microscope. Lors de prises de vues à l'aide d'un microscope sans objectif à diaphragme automatique, le niveau de luminance idéal pour l'œil humain est généralement trop lumineux pour la caméra vidéo. Lorsque la fonction CCD-IRIS est sélectionnée, l'obturateur électronique diminue automatiquement la lumière incidente excessive à un niveau approprié pour la caméra vidéo. Cette fonction est également très pratique pour éliminer la lumière incidente excessive qui n'est pas éliminée par l'objectif à diaphragme automatique dans des scènes contenant des zones très lumineuses (comme de la neige ou un plan d'eau réfléchissant la lumière du soleil). Vous pouvez sélectionner la valeur limite supérieure de la plage variable des vitesses d'obturation. Sélectionnez LIMIT et réglez ensuite la vitesse sur 1/250, 1/500, 1/1000, 1/2000, 1/4000, 1/10000, 1/20000, 1/40000 ou 1/100000.</p> <p>Remarque Vous ne pouvez pas utiliser le mode CCD-IRIS si vous utilisez un objectif qui règle automatiquement le diaphragme en fonction du signal d'entrée vidéo.</p>

LENS

Sélectionnez le mode de diaphragme.

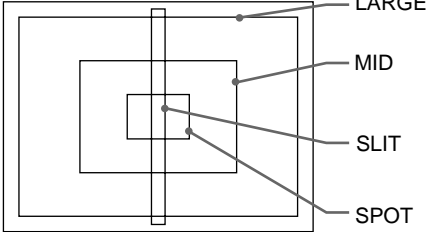
Sélection	Fonction
VIDEO	Sélectionnez ce mode si vous utilisez un objectif qui règle automatiquement le diaphragme en fonction du signal d'entrée vidéo. Sélectionnez AE LEVEL et réglez ensuite le point de focalisation d'exposition automatique dans une plage comprise entre -127 et +127.
REMOTE	Sélectionnez ce mode si vous utilisez un objectif qui règle le diaphragme en fonction de l'alimentation CC fournie.

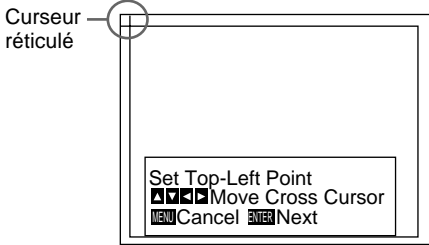
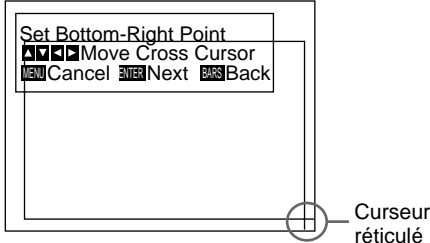
IRIS

Apparaît lorsque vous réglez LENS sur REMOTE. Sélectionne le réglage du diaphragme. Vous pouvez sélectionner AUTO ou MANUAL.

AUTO: Réglage automatique du diaphragme.

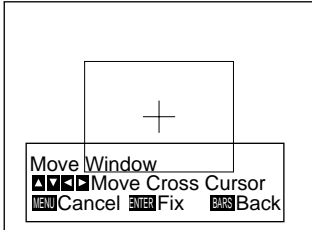
MANUAL: Le réglage du diaphragme s'effectue à l'aide de la commande IRIS de la télécommande RM-C950.

Sélection	Fonction
AE LEVEL	Réglage du point de focalisation d'exposition automatique dans une plage comprise entre -127 et +127.
AE AREA	<p>Réglage de la fenêtre d'exposition automatique AE (Auto Exposure) lorsque la caméra est réglée en mode AGC, CCD IRIS ou de commande automatique du diaphragme.</p> <p>MULTI: Divise l'écran en 9 sections et règle l'exposition automatique en fonction du niveau de luminance de chaque section. En principe, sélectionnez cette position.</p> <p>LARGE, MID, SPOT et SLIT: Affichent les fenêtres AE suivantes et règlent l'exposition automatique en fonction du niveau de luminance de chaque zone.</p> 

Sélection	Fonction
AE AREA (suite)	<p>MANUAL: Règle la fenêtre AE suivant la taille et la position désirées sur l'écran. Appliquez la procédure suivante.</p> <p>1 Sélectionnez MANUAL et appuyez ensuite sur la touche ENTER.</p>  <p>2 Déplacez le curseur réticulé apparaissant dans l'angle supérieur gauche à l'aide des touches ←, →, ↑ ou ↓ pour définir le côté supérieur et latéral gauche, et appuyez ensuite sur la touche ENTER.</p> 

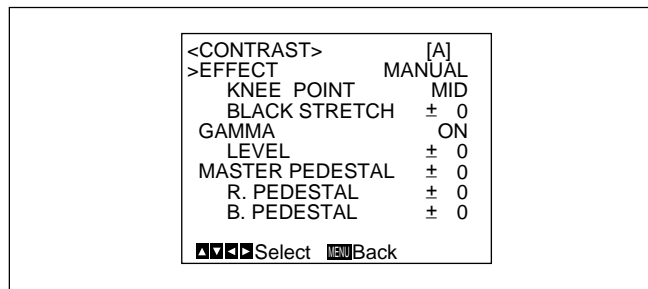
(suite page suivante)

Ajustements et réglages à l'aide des menus

Sélection	Fonction
AE AREA (suite)	<p>3 Déplacez le curseur réticulé apparaissant dans l'angle inférieur droit à l'aide des touches ←, →, ↑ ou ↓ pour définir le côté inférieur et latéral droit, et appuyez ensuite sur la touche ENTER.</p>  <p>4 Déplacez la fenêtre AE à la position voulue à l'aide des touches ←, →, ↑ ou ↓, et appuyez ensuite sur la touche ENTER.</p> <p>Remarque Pour annuler le réglage avant la fin de la procédure, appuyez sur la touche MENU.</p>
AE SPEED	<p>Règle la vitesse de focalisation d'exposition automatique dans les modes AGC, CCD IRIS ou de réglage automatique du diaphragme. Sélectionne MID (vitesse normale), FAST (vitesse rapide) et SLOW (vitesse lente).</p> <p>Remarque En cas d'oscillations de l'objectif, corrigez avec AE SPEED.</p>
AE DETECT	<p>Sélectionne la méthode de détection du niveau de luminance de la fenêtre AE sélectionnée.</p> <p>AVERAGE: Sélectionne la détection du niveau moyen de luminance sur toute la fenêtre AE.</p> <p>PEAK: Sélectionne la détection de la zone offrant le niveau de luminance le plus élevé.</p>

Menu CONTRAST

Ajuste le contraste de l'image.



Paramètres de réglage du menu CONTRAST

Para. de régl.	Description du réglage	Page réf.
EFFECT	Ajuste le contraste de l'image en fonction du niveau de luminance incidente.	21
KNEE POINT	Règle le coude.	21
BLACK STRETCH	Ajuste la luminance d'une zone foncée de l'écran.	21
GAMMA	Active la compensation gamma.	21
LEVEL	Ajuste le niveau gamma.	21
MASTER PEDESTAL	Règle le niveau de suppression du signal de sortie.	21
R./B. PEDESTAL	Règle avec précision le niveau de suppression.	22

EFFECT

Sélectionne le réglage approprié aux niveaux de luminance incidente.

Sélection	Fonction
MANUAL	<p>Sélectionne le réglage KNEE POINT ou BLACK STRETCH.</p> <p>KNEE POINT Règle le coude en fonction du niveau de lumière entrante. OFF: Le traitement de coude ne fonctionne pas. HIGH: Règle le point de coude sur le niveau le plus élevé. MID: En principe, sélectionnez cette position. LOW: Règle le point de coude sur le niveau le plus bas.</p> <p>BLACK STRETCH Ajuste la luminance de la partie foncée de l'écran. Vous pouvez régler la valeur dans une plage comprise entre -10 et +10. Plus la valeur de réglage est élevée, plus l'écran est lumineux.</p>
DCC+	Lors des prises de vues d'objets très lumineux, toute la surface de l'écran peut blanchir ou une partie de l'image perdre ses couleurs. Ce réglage minimise ces phénomènes.
DYNA-LATITUDE	Ajuste le contraste en fonction du niveau de luminance de chaque élément d'image. Ce réglage s'avère bien pratique lors des prises de vues de scènes comprenant des zones d'ombre et des zones de lumière intense. Vous pouvez régler le niveau dans une plage comprise entre -10 et +10.

GAMMA

Active la compensation gamma.

Sélection	Fonction
OFF	Sort le signal vidéo de façon linéaire sans compensation gamma. Utilisez ce réglage pour produire des images en vue d'une procédure de traitement d'image ou d'analyse d'image.
ON	Compense les caractéristiques de reproduction du tube à rayons cathodiques d'un moniteur pour produire des images aux teintes naturelles. Sélectionnez LEVEL et ajustez-en ensuite la valeur de manière à obtenir une images aux teintes naturelles. La plage de réglage est comprise entre -10 et +10.

MASTER PEDESTAL

Les niveaux de suppression des signaux de sortie R, V et B peuvent être réglés simultanément.

Ajuste le niveau des zones noires de l'image. Utilisez cette fonction pour faire ressortir des détails dans les zones fortement ombrées. La plage de réglage est comprise entre -127 et +127. En principe, réglez-le sur ± 0 . L'utilisation d'un oscilloscope de contrôle facilite le réglage.

(suite page suivante)

Ajustements et réglages à l'aide des menus

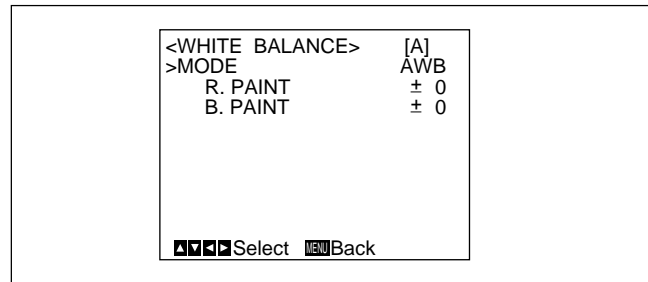
Sens de réglage	Effet
+	Toute la surface de l'écran devient plus blanche.
-	Toute la surface de l'écran devient plus noire.

R. (rouge) PEDESTAL, B. (bleu) PEDESTAL

Utilisez ces paramètres pour régler avec précision le niveau de suppression de chaque couleur. Procédez au réglage tout en observant l'écran du moniteur. Les paramètres peuvent être réglés avec précision dans une plage comprise entre -127 et +127.

Menu WHITE BALANCE

Ajuste la balance des blancs.



Paramètres de réglage du menu WHITE BALANCE

Para. de régl.	Description du réglage	Page réf.
MODE	Sélection des modes de balance des blancs.	23
R./B. PAINT	Réglage précis de la balance des blancs (AWB, ATW).	23

MODE

Sélection des modes de balance des blancs.

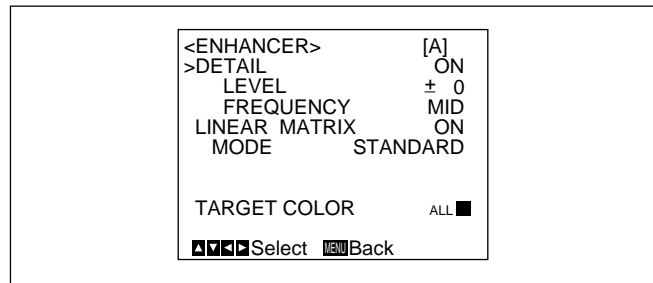
Sélection	Fonction
AWB	<p>Règle automatiquement la balance des blancs (réglage automatique de la balance des blancs). Lorsque ce paramètre est sélectionné, R. PAINT et B. PAINT s'affichent. Utilisez ces paramètres pour effectuer un réglage précis. Ajustez-les tout en observant l'écran du moniteur.</p> <p>R. PAINT: Réglage précis du rouge dans une plage comprise entre -100 et +100.</p> <p>B. PAINT: Réglage précis du bleu dans une plage comprise entre -100 et +100.</p> <p><i>Pour plus de détails, voir "Réglage de la balance des blancs" à la page 39.</i></p>
ATW NORMAL ou ATW WIDE	<p>Active la balance des blancs à suivi automatique. Ce mode convient aux prises de vues lorsque la source lumineuse change. La balance des blancs est automatiquement ajustée lorsque la température des couleurs change.</p> <p>En principe, sélectionnez ATW NORMAL. Le paramètre ATW WIDE est compatible avec une plus large plage de variations de la température des couleurs.</p> <p>Lorsque ces paramètres sont sélectionnés, R. PAINT, B. PAINT, AREA et SPEED s'affichent. Utilisez ces paramètres pour effectuer un réglage précis. Ajustez-les tout en observant l'écran du moniteur. Les valeurs réglées sont enregistrées dans la mémoire différente des valeurs AWB.</p> <p>R. PAINT: Réglage précis du rouge dans une plage comprise entre -10 et +10.</p> <p>B. PAINT: Réglage précis du bleu dans une plage comprise entre -10 et +10.</p>

Sélection	Fonction
ATW NORMAL ou ATW WIDE (suite)	<p>AREA: Une fenêtre de détection apparaît sur l'écran du moniteur. En principe, réglez-le sur NORMAL pour détecter le niveau moyen de luminosité sur toute la surface de l'écran. Pour afficher la fenêtre de votre choix, sélectionnez MANUAL et appliquez la procédure ci-dessous.</p> <ol style="list-style-type: none"> Appuyez sur la touche ENTER. Déplacez le curseur réticulé supérieur gauche à l'aide des touches ←, →, ↑ ou ↓ pour définir la taille du côté supérieur et latéral gauche, et appuyez ensuite sur la touche ENTER. Déplacez le curseur réticulé inférieur droit à l'aide des touches ←, →, ↑ ou ↓ pour définir la taille du côté inférieur et latéral droit, et appuyez ensuite sur la touche ENTER. Déplacez la fenêtre à la position voulue sur l'écran à l'aide des touches ←, →, ↑ ou ↓, et appuyez ensuite sur la touche ENTER. <p>SPEED: Règle la vitesse de focalisation. Vous pouvez sélectionner SLOW (vitesse lente), MID (vitesse normale) et FAST (vitesse rapide).</p>
MANUAL	<p>Pour le réglage manuel de la balance des blancs. Lorsque ce paramètre est sélectionné, R. GAIN et B. GAIN s'affichent. Ajustez-les tout en observant l'écran du moniteur.</p> <p>R. GAIN: Réglage précis du gain du rouge dans une plage comprise entre -127 et +127.</p> <p>B. GAIN: Réglage précis du gain du bleu dans une plage comprise entre -127 et +127.</p>
3200K	A sélectionner pour les prises de vues en intérieur. (Température de couleur: 3200K)
5600K	A sélectionner pour les prises de vues en extérieur. (Température de couleur: 5600K)

Ajustements et réglages à l'aide des menus

Menu ENHANCER

Ajuste la netteté des contours de l'image et la tonalité des couleurs (teinte).



Paramètres de réglage du menu ENHANCER

Para. de régl.	Description du réglage	Page réf.
DETAIL	Active ou désactive le réglage de la netteté des contours de l'image.	24
LEVEL	Ajuste la netteté des contours de l'image.	24
FREQUENCY	Ajuste la netteté des contours détaillés de l'image.	24
LINEAR MATRIX	Active ou désactive le traitement d'une matrice de couleurs.	25
MODE	Ajuste avec précision la tonalité des couleurs.	25
TARGET COLOR	Spécifie la couleur des réglages DETAIL et LINEAR MATRIX.	25

DETAIL

Active ou désactive le réglage de la netteté des contours de l'image.

Sélection	Fonction
ON	Active le réglage de la netteté des contours de l'image.
OFF	Désactive le réglage de la netteté des contours de l'image.

Si vous réglez DETAIL sur ON, LEVEL et FREQUENCY s'affichent.

Ajuste la netteté des contours de l'image en fonction du type de prise de vues et de vos préférences.

Sélection	Fonction
LEVEL	Ajuste le niveau avec précision dans une plage comprise entre -127 et +127. Un niveau inférieur diminue la netteté des contours de l'image et rend l'image plus douce. Un niveau supérieur accroît la netteté des contours de l'image et rend l'image plus nette.
FREQUENCY	Sélectionne le niveau de la fréquence de réglage des contours de l'image : LOW (niveau de fréquence inférieur), MID (niveau de fréquence moyen) ou HIGH (niveau de fréquence supérieur). Une fréquence supérieure accentue la netteté des contours des images détaillées.

LINEAR MATRIX

Traite une image à l'aide d'une matrice de couleurs pour modifier la saturation des couleurs et la teinte afin de reproduire des couleurs naturelles.

Sélection	Fonction
ON	Corrige les couleurs pour reproduire des couleurs naturelles.
OFF	La correction des couleurs ne fonctionne pas. Sélectionnez ce paramètre si vous voulez traiter l'image.

Lorsque vous réglez LINEAR MATRIX sur ON, MODE s'affiche. Vous pouvez ajuster les couleurs convenant à un objet.

Lorsque vous réglez MODE sur MANUAL, R. PAINT, G. PAINT et B. PAINT apparaissent.

Sélection	Fonction
STANDARD	En principe, sélectionnez cette position.
R ENHANCE	Accentue les rouges.
B ENHANCE	Accentue les bleus.
G ENHANCE	Accentue les verts.
MANUAL	Ajuste chaque couleur avec précision. R. PAINT: Réglage précis du rouge dans une plage comprise entre -30 et +30. G. PAINT: Réglage précis du vert dans une plage comprise entre -30 et +30. B. PAINT: Réglage précis du bleu dans une plage comprise entre -30 et +30.

TARGET COLOR

Sélectionnez ce paramètre lorsque vous ajustez DETAIL ou LINEAR MATRIX pour une couleur spécifique.

Sélection	Fonction
ALL	Ajuste DETAIL ou LINEAR MATRIX pour toute l'image. En principe, sélectionnez cette position.
IN	Ajuste DETAIL ou LINEAR MATRIX pour une couleur spécifique. Le paramètre RANGE vous permet d'ajuster la zone avec précision dans une plage comprise entre -10 et +10.
OUT	Ajuste DETAIL ou LINEAR MATRIX pour d'autres couleurs qu'une couleur spécifique. Le paramètre RANGE vous permet d'ajuster la zone avec précision dans une plage comprise entre -10 et +10.

Comment spécifier une couleur

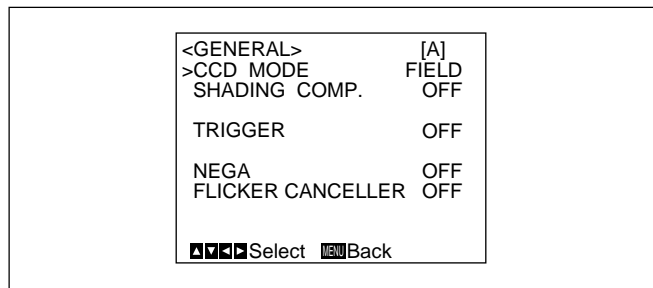
- 1 Sélectionnez IN ou OUT et appuyez ensuite sur la touche ENTER.
- 2 Déplacez le curseur réticulé (⊕) apparaissant au centre de l'écran sur la couleur voulue à l'aide des touches ←, →, ↑ ou ↓ de façon à ce que le carré du curseur réticulé recouvre la couleur voulue, et appuyez ensuite sur la touche ENTER.
 Si vous sélectionnez IN, vous pouvez ajuster la couleur indiquée par le curseur réticulé (⊕).
 Si vous sélectionnez OUT, vous pouvez ajuster d'autres couleurs que celles indiquées par le curseur réticulé.

Ajustements et réglages à l'aide des menus



Menu GENERAL

Règle les paramètres généraux.



Paramètres de réglage du menu GENERAL

Para. de régl.	Description du réglage	Page réf.
CCD MODE	Sélectionne le mode de lecture CCD.	26
SHADING COMP.	Élimine les couleurs dans le haut et dans le bas de l'écran.	26
TRIGGER	Règle la polarité lors du raccordement d'un appareil asservi pour le synchroniser avec un stroboscope.	27
NEGA	Inverse l'image sortie en négatif.	27
FLICKER CANCELLER	Réduit les scintillements lorsque SHUTTER est réglé sur CCD IRIS ou OFF.	27

CCD MODE

Sélectionne le mode de lecture CCD.

Sélection	Fonction
FIELD	Accumule des charges en unités de champs. Utilisez ce paramètre lors des prises de vues d'objets en mouvement.
FRAME	Accumule des charges en unités de photogrammes. Fournit une image offrant la plus haute résolution verticale possible. Utilisez ce paramètre lors des prises de vues d'objets fixes.

SHADING COMP. (compensation)

Élimine la couleur verte ou magenta qui peut apparaître dans le haut ou dans le bas de l'écran lorsque la caméra est employée avec un instrument optique.

Sélection	Fonction
OFF	L'élimination des couleurs ne fonctionne pas.
ON	Si une couleur verte ou magenta apparaît dans le haut ou dans le bas de l'écran lorsque la caméra est installée sur un microscope, etc., sélectionnez ce paramètre.

Lorsque SHADING COMP. est réglé sur ON, LEVEL s'affiche. Ajuste ce paramètre tout en observant l'écran jusqu'à élimination de la couleur parasite. La plage de réglage est comprise entre -127 et +127.

Sens de réglage	Effet
+	Le vert dans le haut de l'écran et le magenta dans le bas sont éliminés.
-	Le magenta dans le haut de l'écran et le vert dans le bas sont éliminés.

TRIGGER

Sélectionnez ce paramètre lorsque vous utilisez un appareil asservi raccordé via le connecteur TRIG IN et que vous synchronisez la caméra avec un stroboscope.

Sélection	Fonction
OFF	Sélectionnez ce paramètre si vous ne raccordez pas un paramètre asservi.
ON	Sélectionnez ce paramètre si vous raccordez un paramètre asservi. Sélectionnez POLARITY et réglez-le sur la même polarité que le signal d'impulsion d'entrée. ⌋: Front descendant ⌋: Front ascendant

NEGA

Inverse l'image sortie en négatif/positif.

Sélection	Fonction
OFF	Sort l'image normalement.
ON	Sort l'image inversée en négatif/positif.

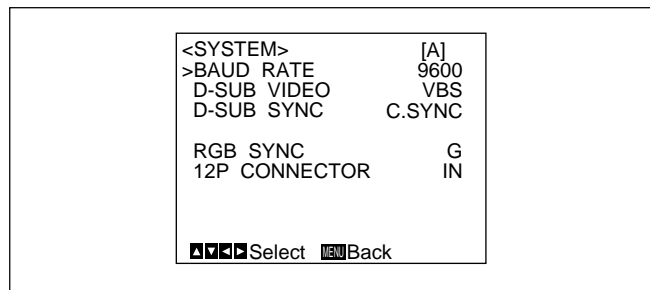
FLICKER CANCELLER

Lorsque vous utilisez la caméra dans une zone à éclairage de 50 Hz (DXC-390) ou de 60 Hz (DXC-390P), vous pouvez obtenir des images avec moins de scintillements même si SHUTTER est réglé sur CCD IRIS ou OFF. Réglez ce paramètre sur OFF lorsque vous voulez régler NEGA sur ON.

Sélection	Fonction
OFF	Désactive la fonction FLICKER CANCELLER.
ON	Réduit les scintillements.

Menu SYSTEM

Règle les paramètres liés au système de la caméra et à la sélection des signaux de sortie.



Paramètres de réglage du menu SYSTEM

Para. de régl.	Description du réglage	Page réf.
BAUD RATE	Sélection du débit en bauds.	28
D-SUB VIDEO	Commute la sortie du signal vidéo via le connecteur RGB/SYNC (D-sub à 9 broches).	28
D-SUB SYNC	Commute la sortie du signal vidéo via le connecteur RGB/SYNC (D-sub à 9 broches).	28
RGB SYNC	Ajoute un signal de synchronisation à la sortie RVB.	29
12P CONNECTOR	Commute l'entrée et la sortie du connecteur DC IN/VBS et sélectionne le signal de sortie.	29


(suite page suivante)

Ajustements et réglages à l'aide des menus

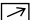
Para. de régl.	Description du réglage	Page réf.
(VBS lock) H. PHASE* SC. PHASE ROUGH* SC. PHASE FINE*	Ajuste la phase horizontale et la phase SC (sous-porteuse) durant la synchronisation externe (avec entrée d'un signal VBS).	29
(HD/VD lock) H. PHASE*	Ajuste la phase horizontale durant la synchronisation externe (avec entrée d'un signal de HD/VD).	29

* S'affiche uniquement lorsqu'un signal de synchronisation externe est entré.

BAUD RATE

Commute le débit en bauds du connecteur REMOTE  situé sur le panneau arrière.


Sélectionnez 19200, 9600, 4800, 2400 ou 1200.

En principe, sélectionnez 9600 si une télécommande RM-C950 est raccordée au connecteur the REMOTE .

Remarque

Lorsque l'appareil CMA-D3/C3CE est raccordé à la caméra en utilisant le câble de connexion CCMC-3MZ, "CMA-D3" apparaîtra et vous pourrez sélectionner le débit en bauds.

D-SUB VIDEO


Commute la sortie du signal vidéo via le connecteur  RGB/SYNC (D-sub à 9 broches) situé sur le panneau arrière.

Sélection	Fonction
VBS	Sort le signal VBS.
Y/C	Sort le signal Y/C.

Remarque

Lorsque l'appareil CMA-D3/C3CE est raccordé à la caméra en utilisant le câble de connexion CCMC-3MZ, l'article ne fonctionne pas.

D-SUB SYNC


Commute la sortie du signal de synchronisation via le connecteur  RGB/SYNC (D-sub à 9 broches) situé sur le panneau arrière.

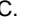

Sélection	Fonction
C.SYNC	Sort le signal de synchronisation composite.
WEN	Sort le signal WEN. Si vous raccordez un appareil périphérique, le signal est utilisé comme impulsion de déclenchement envoyée vers l'appareil. Sélectionnez la polarité du signal WEN avec le paramètre POLARITY. ⌋ : Négative ⌋ : Positive

Remarque

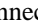

Lorsque l'appareil CMA-D3/C3CE est raccordé à la caméra en utilisant le câble de connexion CCMC-3MZ, l'article est fixé sur WEN.

RGB SYNC

Ajoute un signal de synchronisation au signal V ou aux signaux R, V et B sortis via le connecteur  → RGB/SYNC.

Sélection	Fonction
OFF	Aucun signal de synchronisation n'est ajouté aux signaux de sortie.
G	Ajoute un signal de synchronisation au signal V sorti via le connecteur  → RGB/SYNC.
RGB	Ajoute un signal de synchronisation aux signaux R, V et B sortis via le connecteur  → RGB/SYNC.

12P CONNECTOR

Commute l'entrée et la sortie du connecteur  DC IN/VBS  (12 broches). Sélectionne le signal de sortie via ce connecteur lorsque OUT est sélectionné.

Sélection	Fonction
IN	Sert de connecteur d'entrée.
OUT	Sert de connecteur de sortie. Sélectionnez le signal de sortie avec le paramètre SIGNAL. HD/VD: Sort le signal HD/VD. C. SYNC: Sort le signal de synchronisation composite.

Remarque

Lorsque l'appareil CMA-D3/C3CE est raccordé à la caméra en utilisant le câble de connexion CCMC-3MZ, il ne vous est pas possible de régler cet article. Commute entre l'entrée et la sortie à l'aide du commutateur IN/OUT de l'adaptateur de caméra CMA-D3/D3CE.

Pour obtenir plus de détails, rappelez-vous au mode d'emploi de l'appareil CMA-D3/D3CE.

VBS lock

S'affiche uniquement lorsqu'un signal de synchronisation de référence externe (signal VBS) est entré. Ajuste la phase horizontale et la phase SC (sous-porteuse) pour synchroniser le fonctionnement de la caméra avec le signal de référence.

Sélection	Fonction
H.PHASE	Ajuste la phase horizontale dans une plage comprise entre -20 et +127.
SC.PHASE ROUGH	Ajuste grossièrement la phase de sous-porteuse en la réglant sur 0° ou 180°.
SC.PHASE FINE	Règle avec précision la phase de sous-porteuse dans une plage comprise entre -127 et +127.

HD/VD lock

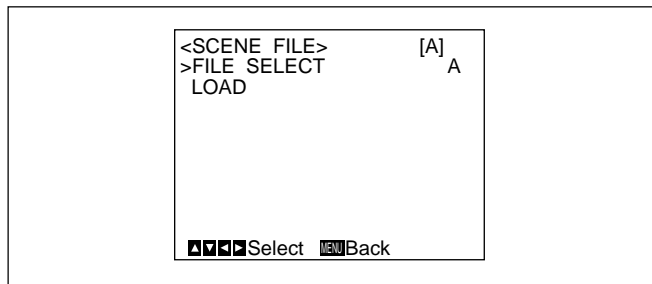
S'affiche uniquement lorsqu'un signal de synchronisation de référence externe (signal HD/VD) est entré. Ajuste la phase horizontale pour synchroniser le fonctionnement de la caméra avec le signal de référence. Sélectionnez H.PHASE et ajustez ensuite le niveau dans une plage comprise entre -20 et +127.

Ajustements et réglages à l'aide des menus

Menu SCENE FILE

Règle les paramètres du menu de présélection.

La caméra comprend deux fichiers de mémoire (A et B) pour la mémorisation des paramètres de menu. Vous pouvez mémoriser un type de paramètre différent dans chaque fichier et commuter rapidement le fichier le mieux approprié aux conditions de prise de vues. Le fichier de mémoire actuellement sélectionné est indiqué dans l'angle supérieur droit du menu affiché.



Paramètres de réglage du menu SCENE FILE

Para. de régl.	Description du réglage	Page réf.
FILE SELECT	Sélectionne le fichier dans lequel mémoriser le paramètre.	30
LOAD	Sélectionne le type de paramètre à mémoriser et le charge.	30

FILE SELECT

Sélectionne le fichier A ou B.

LOAD

Règle le paramètre à mémoriser dans le fichier que vous sélectionnez avec FILE SELECT et mémorise le paramètre.

Sélection	Type de réglage
STANDARD	Convient à une caméra utilisée comme système permanent.
MICROSCOPE	Convient à une caméra pour microscope.
FULL AUTO	Ajuste automatiquement les paramètres.
STROBE	Convient à une prise de vues stroboscopique.
FILE B (ou A)	Pour copier des paramètres entre deux fichiers.

Mémorisation des réglages

- 1 Sélectionnez A ou B suivant le fichier dans lequel le réglage est mémorisé dans le paramètre FILE SELECT.
- 2 Appuyez sur la touche **↑** ou **↓** pour sélectionner LOAD.
- 3 Appuyez sur la touche **←** ou **→** pour sélectionner le réglage à mémoriser et appuyez ensuite sur la touche ENTER. L'indication "Overwrite OK?" apparaît.
- 4 Appuyez sur la touche ENTER. Si vous ne souhaitez pas mémoriser le réglage, appuyez sur la touche MENU.

Réglages initiaux des menus

Si vous voulez réinitialiser les réglages et les valeurs aux sélections initiales, appuyez simultanément sur les touches ◀ et ▶.

Menu de réglage	Para. de régl.	Réglage initial
EXPOSURE	GAIN	STEP
	STEP	0 dB
	SHUTTER	OFF
	STEP	OFF
	LENS	REMOTE
	IRIS	MANUAL
	AE LEVEL	± 0
	AE AREA	MULTI
CONTRAST	EFFECT	MANUAL
	KNEE POINT	MID
	BLACK STRETCH	± 0
	GAMMA	ON
	LEVEL	± 0
	MASTER PEDESTAL	± 0
	R. PEDESTAL	± 0
	B. PEDESTAL	± 0

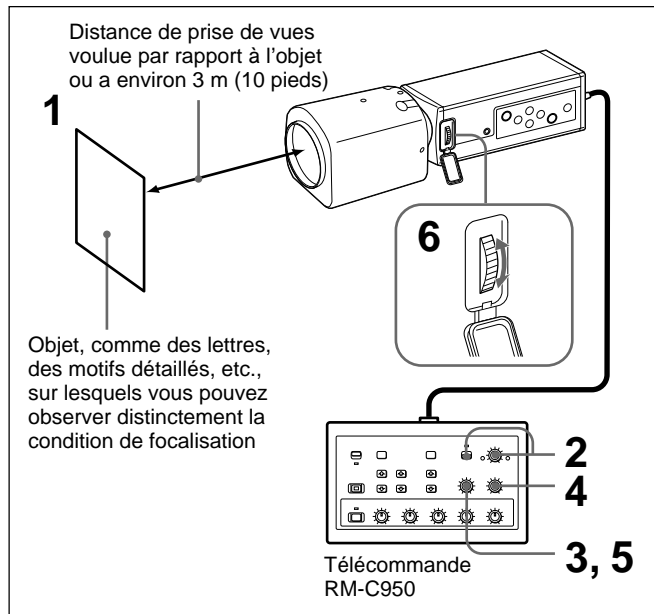
Menu de réglage	Para. de régl.	Réglage initial
WHITE BALANCE	MODE	AWB
	R. PAINT	± 0
	B. PAINT	± 0
ENHANCER	DETAIL	ON
	LEVEL	± 0
	FREQUENCY	MID
	LINEAR MATRIX	ON
	MODE	STANDARD
	TARGET COLOR	ALL
GENERAL	CCD MODE	FIELD
	SHADING COMP.	OFF
	TRIGGER	OFF
	NEGA	OFF
	FLICKER CANCELLER	OFF
SYSTEM	BAUD RATE	9600
	D-SUB VIDEO	VBS
	D-SUB SYNC	C.SYNC
	RGB SYNC	G
	12P CONNECTOR	IN
	H. PHASE*	± 0
	SC PHASE ROUGH*	0°
	SC PHASE FINE*	± 0

* S'affiche uniquement lorsqu'un signal de synchronisation externe est entré.

Réglage du tirage mécanique image

Cette section explique comment ajuster le tirage mécanique image (distance entre le plan de montage de l'objectif et l'objet). La méthode de réglage varie suivant l'objectif que vous utilisez.

Si vous utilisez un zoom VCL-610WEA



Voici un exemple de réglage du tirage mécanique image à l'aide de la télécommande RM-C950. Ajustez-le à l'aide de la bague de réglage FLANGE BACK (longueur focale de la bride) de la caméra.

Remarque

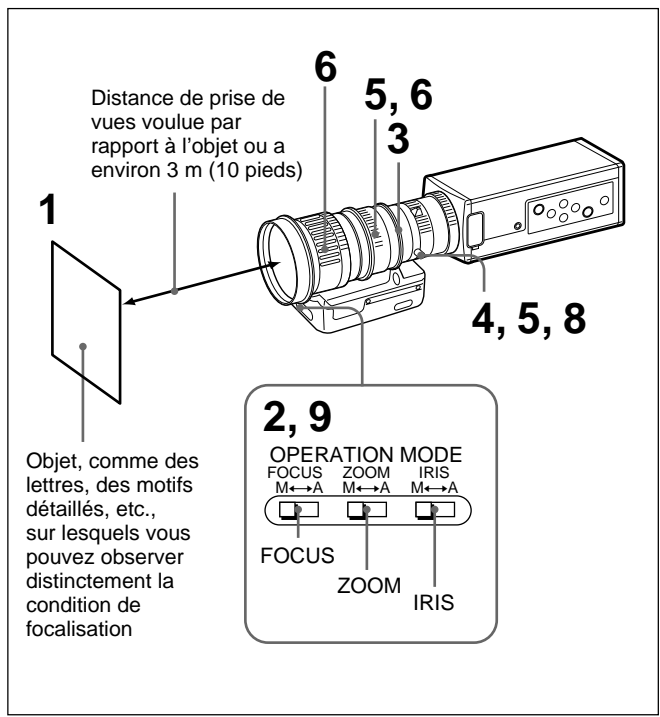
Ouvrez complètement le diaphragme avant de procéder au réglage du tirage mécanique image.

- 1 Dirigez la caméra vers un objet situé à la distance de prise de vues voulue ou à environ 3 m (10 pieds).
- 2 Réglez la molette IRIS AUTO/MANUAL sur MANUAL et tournez à fond la molette IRIS sur OPEN.
- 3 Tournez à fond la molette ZOOM sur TELE (téléobjectif).
- 4 Réglez la mise au point sur l'objet utilisé à l'étape 1 en tournant la molette FOCUS.
- 5 Tournez à fond la molette ZOOM sur WIDE (grand-angle).
- 6 Réglez la mise au point sur l'objet utilisé à l'étape 1 en tournant la bague de réglage FLANGE BACK (longueur focale de la bride) de la caméra.
- 7 Répétez les étapes 3 à 6 jusqu'à obtention d'une mise au point précise tant en mode de téléobjectif que de grand-angle.

Le réglage du tirage mécanique image est à présent terminé. Vous ne devez pas recommencer le réglage du tirage mécanique image, sauf si vous remplacez l'objectif.

Si vous utilisez un zoom VCL-614WEA

Vous ne devez pas utiliser la bague de réglage FLANGE BACK (longueur focale de la bride) de la caméra.



Remarque

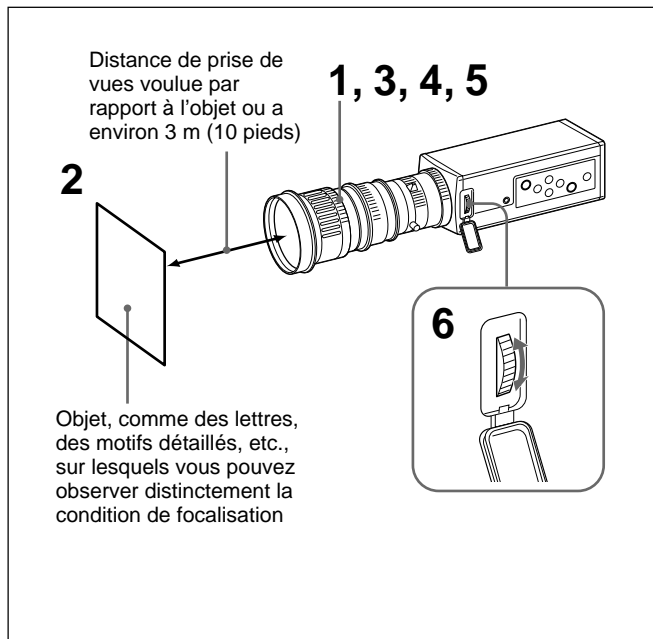
Ouvrez complètement le diaphragme avant de procéder au réglage du tirage mécanique image.

- 1** Dirigez la caméra vers un objet situé à la distance de prise de vues voulue ou à environ 3 m (10 pieds).
- 2** Réglez les commutateurs FOCUS, ZOOM, IRIS M/A de l'objectif sur la position M (manuel) à l'aide d'un objet pointu.
- 3** Tournez la bague de diaphragme sur 1.4 (ouvert).
- 4** Tournez la vis de blocage de la bague de réglage F.f dans le sens antihoraire pour la desserrer.
- 5** Tournez la bague ZOOM dans le sens horaire pour aligner 5.5 (grand-angle) sur la ligne blanche et tournez ensuite la bague de réglage F.f tout en maintenant la vis de blocage F.f pour régler la mise au point sur l'objet utilisé à l'étape 1.
- 6** Tournez la bague ZOOM dans le sens antihoraire pour aligner 77 (téléobjectif) sur la ligne blanche et réglez ensuite la mise au point sur l'objet.
- 7** Répétez les étapes 5 et 6 jusqu'à obtention d'une mise au point précise tant en mode de téléobjectif que de grand-angle.
- 8** Tournez la vis de blocage de la bague de réglage F.f dans le sens horaire pour la serrer.
- 9** Réglez les commutateurs FOCUS, ZOOM, IRIS M/A de l'objectif sur la position A (automatique).

Le réglage du tirage mécanique image est à présent terminé. Vous ne devez pas recommencer le réglage du tirage mécanique image, sauf si vous remplacez l'objectif.

Si vous utilisez un zoom sans fonction de réglage du tirage mécanique image

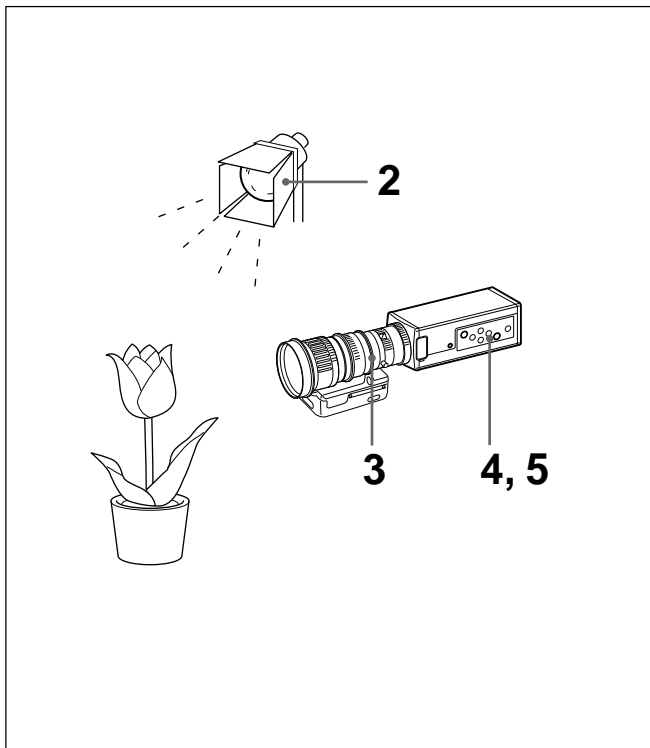
Ajustez le tirage mécanique image à l'aide de la bague de réglage FLANGE BACK (longueur focale de la bride) de la caméra.



- 1** Ouvrez complètement le diaphragme si l'objectif est équipé d'une bague de diaphragme. Si vous utilisez un objectif à diaphragme automatique, éclairez l'objet de façon appropriée pour ouvrir le diaphragme.
- 2** Dirigez la caméra vers un objet situé à la distance de prise de vues voulue ou à environ 3 m (10 pieds).
- 3** Tournez à fond la bague de zoom sur TELE (téléobjectif).
- 4** Réglez la mise au point sur l'objet utilisé à l'étape 2 en tournant la bague de mise au point de l'objectif.
- 5** Tournez à fond la bague de zoom sur WIDE (grand-angle).
- 6** Réglez la mise au point sur l'objet utilisé à l'étape 2 en tournant la bague de réglage FLANGE BACK (longueur focale de la bride) de la caméra. Ne tournez pas la bague de mise au point de l'objectif pendant le réglage.
- 7** Répétez les étapes 3 à 6 jusqu'à obtention d'une mise au point précise tant en mode de téléobjectif que de grand-angle.

Le réglage du tirage mécanique image est à présent terminé. Vous ne devez pas recommencer le réglage du tirage mécanique image, sauf si vous remplacez l'objectif.

Procédure de prise de vues de base



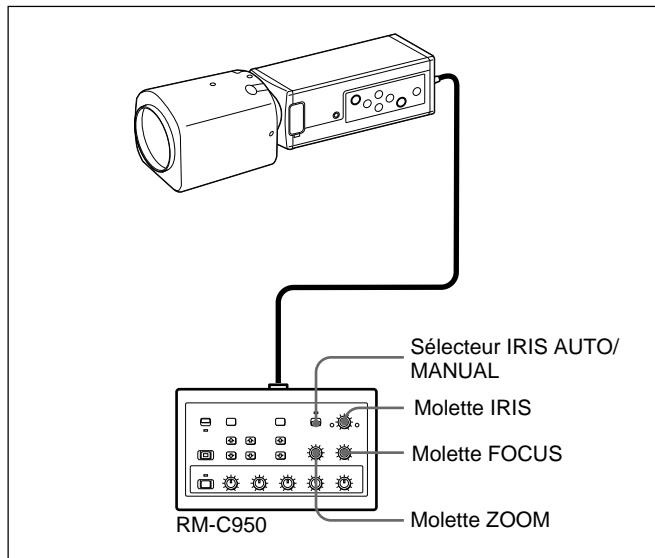
- 1** Mettez la caméra et tous les appareils connectés sous tension.
- 2** Eclairez un objet de manière appropriée.
- 3** Dirigez la caméra vers l'objet et réglez le diaphragme, la mise au point et le zoom.
Pour plus de détails, voir "Réglage du diaphragme, de la mise au point et du zoom" aux pages 36 et 37.
- 4** Réglez la balance des blancs.
Pour plus de détails, voir "Réglage de la balance des blancs" à la page 39.
- 5** Réglez les paramètres.
Pour plus de détails, voir "Ajustements et réglages à l'aide des menus" à la page 12.
- 6** Entamez votre prise de vues.

Réglage du diaphragme, de la mise au point et du zoom

Voici un exemple de réglage du diaphragme, de la mise au point et du zoom à l'aide de la télécommande RM-C950.

Pour plus de détails, reportez-vous au mode d'emploi fourni avec la télécommande RM-C950.

Si vous utilisez un zoom VCL-610WEA



Réglage automatique du diaphragme

Réglez le commutateur IRIS AUTO/MANUAL de la télécommande RM-C950 sur AUTO.

Remarque

Vous ne pouvez pas régler manuellement le diaphragme de l'objectif VCL-610WEA.

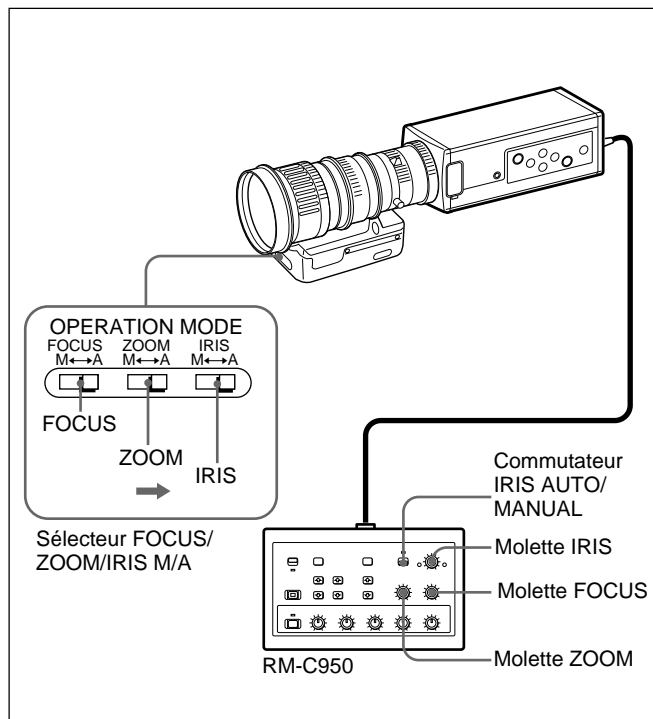
Réglage de la mise au point

Réglez la mise au point en tournant la molette FOCUS de la télécommande RM-C950.

Réglage du zoom

Réglez le zoom en tournant la molette ZOOM de la télécommande RM-C950.

Si vous utilisez un zoom VCL-614WEA



Réglage du diaphragme

- 1 Réglez le sélecteur IRIS M/A de l'objectif sur A (automatique) et le commutateur IRIS AUTO/MANUAL de la télécommande sur MANUAL.
- 2 Réglez le diaphragme en tournant la molette IRIS de la télécommande.

Réglage de la mise au point

- 1 Réglez le sélecteur FOCUS M/A de l'objectif sur A (automatique).
- 2 Réglez la mise au point en tournant la molette FOCUS de la télécommande.

Réglage du zoom

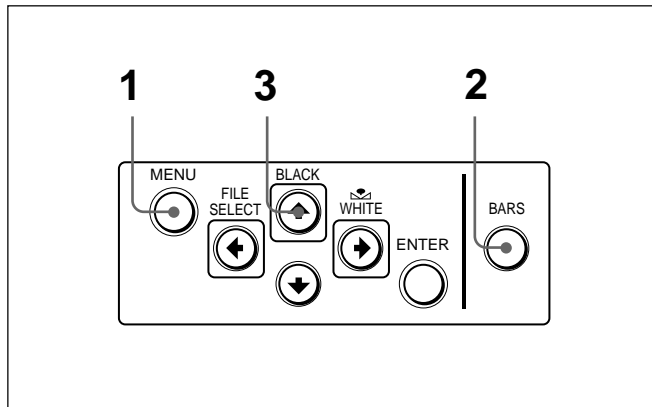
- 1 Réglez le sélecteur ZOOM M/A de l'objectif sur A (automatique).
- 2 Tournez la molette ZOOM de la télécommande.

Remarque

Pour pouvoir régler manuellement le diaphragme, la mise au point et le zoom à l'aide des bagues de l'objectif, n'oubliez pas de régler les sélecteurs IRIS, FOCUS et ZOOM M/A sur la position M (manuel) au préalable. Des réglages manuels alors que le sélecteur est toujours réglé sur la position A peuvent causer des dommages à l'objectif.

Réglage de la balance des noirs

Réglez la balance des noirs avant de mettre la caméra sous tension.



Procédure

- 1** Si un menu est affiché sur l'écran, appuyez sur la touche MENU pour le désactiver.
- 2** Si un signal de barres de couleur est affiché sur l'écran, appuyez sur la touche BARS pour le désactiver.
- 3** Appuyez sur la touche BLACK.
Le diaphragme de l'objectif se ferme automatiquement et la balance des noir est réglée. Si vous utilisez un objectif à réglage manuel du diaphragme, fermez le diaphragme et appuyez ensuite sur la touche BLACK. Pendant le réglage, les barres s'affichent. Lorsque le réglage est terminé, le message "BLACK: OK" apparaît sur l'écran.

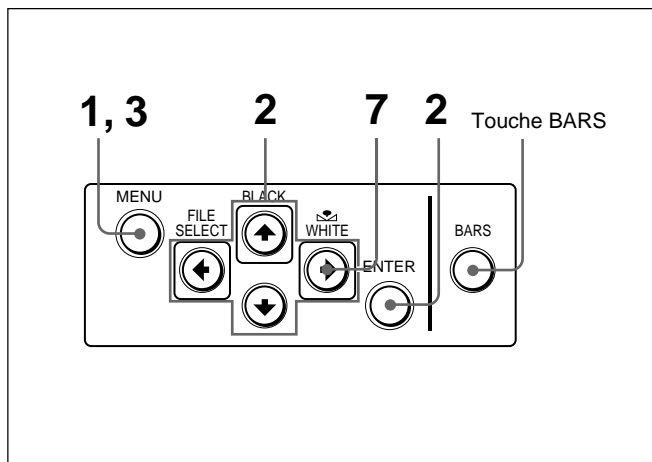
Erreurs de réglage de la balance des noirs

Si le réglage de la balance des noirs échoue, le message "BLACK: NG" apparaît sur l'écran. Si cela se produit, prenez les mesures requises et recommencez les étapes 1 à 3.

Pour plus de détails, voir "Liste des messages" à la page 60.

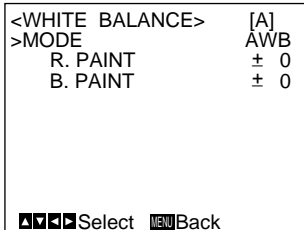
Réglage de la balance des blancs

Chaque fois que les conditions d'éclairage changent, n'oubliez pas de régler la balance des blancs de manière à obtenir une reproduction des couleurs optimale.



Procédure

- 1 Appuyez sur la touche MENU pour afficher le menu MAIN.
- 2 Sélectionnez le menu WHITE BALANCE et réglez MODE sur AWB.



Pour l'exploitation du menu, voir "Pilotage par menus (Procédures de pilotage par menus)" à la page 14.

- 3 Appuyez deux fois sur la touche MENU pour désactiver le menu.
- 4 Affichez l'image de la caméra sur l'écran du moniteur.

Remarque

Si le signal de barres de couleur est affiché sur l'écran, appuyez sur la touche BARS pour le désactiver.

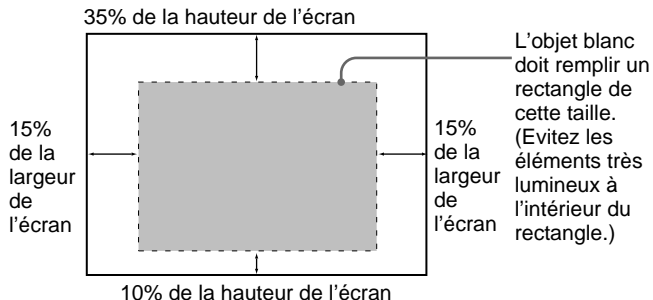
- 5 Réglez la commande de diaphragme de l'objectif comme suit:

Si vous utilisez un objectif à réglage automatique du diaphragme: Réglez-la sur la position de réglage automatique.

(suite page suivante)

Si vous utilisez un objectif à réglage manuel du diaphragme: Sélectionnez une ouverture de diaphragme appropriée.

- 6** Placez un objet blanc (motif blanc, tissu blanc, etc.) sous la même source d'éclairage que celle qui éclaire l'objet de la prise de vues et effectuez ensuite un zoom avant sur l'objet blanc de manière à remplir l'écran comme illustré ci-dessous.



L'objet blanc peut être un mur blanc à proximité de l'objet de la prise de vues.

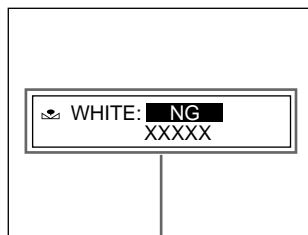
Remarques

- N'incluez pas d'objets très réfléchissants dans l'image.
- Réalisez toujours les prises de vues dans des conditions d'éclairage appropriées.

- 7** Appuyez sur la touche WHITE. Pendant le réglage, les barres apparaissent. Le message "WHITE: OK" apparaît sur l'écran lorsque le réglage est terminé. Le niveau de blanc réglé est automatiquement enregistré dans la mémoire et reste mémorisé même après que la caméra a été mise hors tension. Pour réaliser une prise de vues dans les mêmes conditions, la balance des blancs mémorisée est rappelée en réglant MODE sur AWB dans le menu WHITE BALANCE.

Erreurs de réglage de la balance des blancs

Si le réglage de la balance des blancs échoue, un message d'erreur apparaît sur l'écran. Si cela se produit, prenez les mesures requises et recommencez les étapes 1 à 7. *Pour plus de détails, voir "Liste des messages" à la page 60.*



Message d'erreur

Réglage de la tonalité de l'image dans un système multicaméra

Lors de la configuration d'un système multicaméra, réglez toutes les caméras afin d'éviter des variations de la tonalité de l'image d'une caméra à une autre.

Avant de procéder aux réglages décrits ci-après, envoyez le même signal de synchronisation à toutes les caméras.

Pour le raccordement, voir "Raccordement de deux caméras ou plus—Système multicaméra" à la page 51.

Raccordement de caméras à un appareil vidéo à indication de phase

Pour raccorder un générateur d'effets spéciaux, une unité chromatique ou un autre appareil vidéo à indication de phase, appliquez la procédure de réglage de base suivante:

- 1** Activez la fonction d'indication de phase de l'appareil vidéo connecté.
- 2** Ajustez la phase horizontale à l'aide du menu. Sélectionnez H. PHASE dans le menu SYSTEM.
Pour plus de détails, voir "Pilote par menus" à la page 14.
- 3** Ajustez la phase de sous-porteuse à l'aide du menu. Sélectionnez SC. PHASE dans le menu SYSTEM. Ajustez d'abord grossièrement la phase de sous-porteuse à l'aide de SC. PHASE ROUGH en la réglant entre 0° et 180°, et ajustez-la ensuite avec précision à l'aide de SC. PHASE FINE.
Pour plus de détails, reportez-vous au mode d'emploi de l'appareil vidéo connecté à indication de phase.

Raccordement de caméras à un appareil vidéo sans indication de phase

Utilisez l'une des caméras comme caméra de référence et ajustez les autres caméras une par une suivant la caméra de référence.

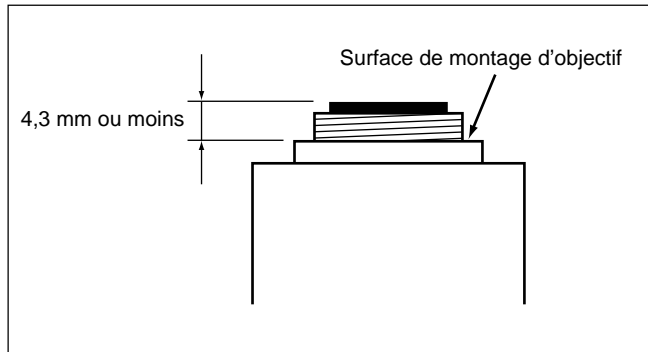
- 1** Ajustez la phase horizontale. Sélectionnez le paramètre H. PHASE dans le menu SYSTEM et ajustez-le de façon à ce que le signal vidéo de référence et le signal de sortie aient la même phase de synchronisation horizontale. Utilisez un oscilloscope de contrôle ou un oscilloscope pour contrôler la phase.
- 2** Ajustez la phase de sous-porteuse. Sélectionnez SC. PHASE dans le menu SYSTEM. Ajustez d'abord grossièrement la phase de sous-porteuse à l'aide de SC. PHASE ROUGH en la réglant entre 0° et 180°, et ajustez-la ensuite avec précision à l'aide de SC. PHASE FINE de façon à ce que le signal vidéo de référence et le signal vidéo de sortie aient la même phase de sous-porteuse. Utilisez un vecteurscope ou la fonction d'effacement d'un générateur d'effets spéciaux pour afficher simultanément sur l'écran l'image de la caméra de référence et de la caméra à régler.

Installation et raccordement

Installation

Objectifs

Vous pouvez monter sur la caméra des objectifs à monture C présentant une surface de montage comme suit.

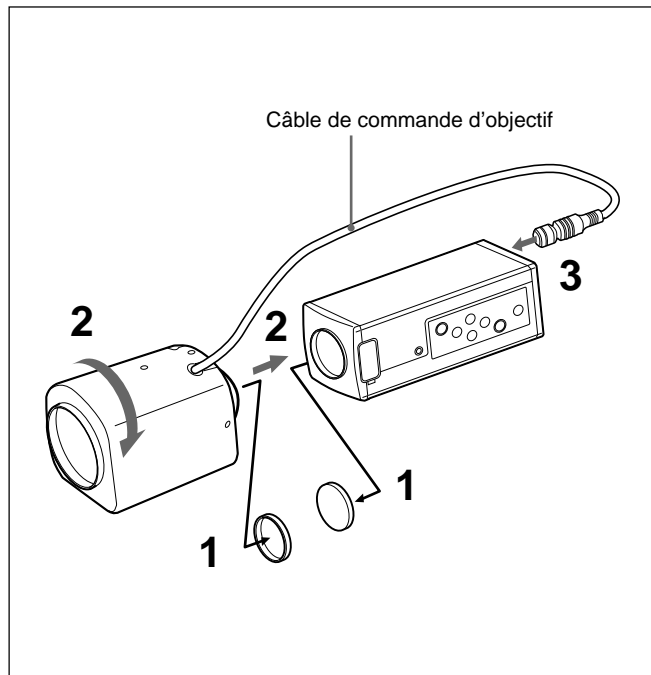


Remarque

Veillez à employer un objectif dont la saillie par rapport à la surface de montage de l'objectif est inférieure à 4,3 mm. L'installation d'un objectif avec une saillie de plus de 4,3 mm risque d'endommager le mécanisme interne de la caméra.

Montage de l'objectif

Montage du zoom VCL-610WEA

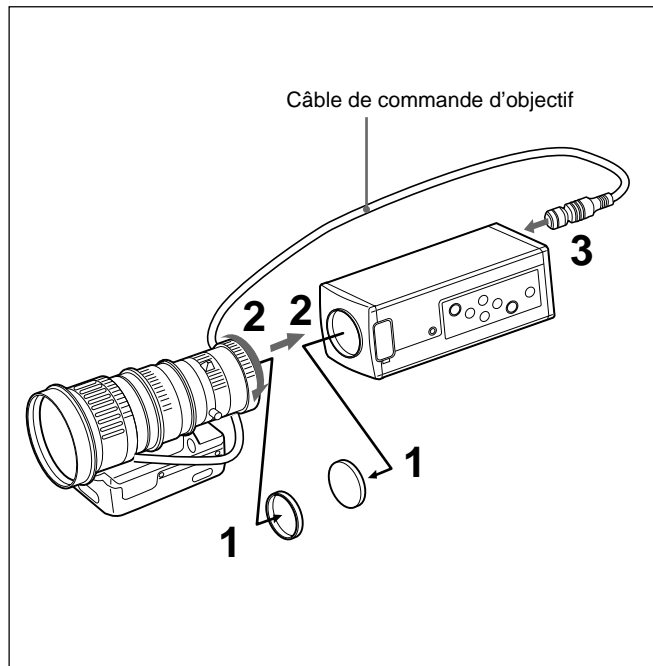


- 1** Retirez les bouchons de montage de la caméra et de l'objectif.
- 2** Alignez la section fileté de la monture de l'objectif sur celle de la caméra et tournez lentement l'objectif dans le sens horaire pour l'assujettir sur la caméra.
- 3** Branchez le câble de commande d'objectif sur le connecteur LENS de la caméra.

Réglage de la position de l'objectif

Après avoir monté l'objectif sur la caméra, tournez un peu plus l'objectif dans le sens horaire. Lorsque la monture de l'objectif est en contact, tournez l'objectif dans le sens voulu.

Montage du zoom VCL-614WEA



- 1 Retirez les bouchons de montage de la caméra et de l'objectif.
- 2 Alignez la section filetée de la monture de l'objectif sur celle de la caméra et tournez à fond la bague de verrouillage de montage dans le sens horaire pour assujettir l'objectif sur la caméra.
- 3 Branchez le câble de commande d'objectif sur le connecteur LENS de la caméra.

Réglage de la position de l'objectif

Après avoir serré la bague de verrouillage de montage, desserrez-la en la faisant tourner dans le sens antihoraire d'approximativement 90°. Tournez ensuite l'objectif pour en ajuster la position et serrez ensuite la bague de verrouillage de montage.

Montage d'un objectif à monture C autre qu'un VCL-610WEA ou un VCL-614WEA

Reportez-vous également au mode d'emploi fourni avec l'objectif.

- 1 Retirez les bouchons de montage de la caméra et de l'objectif.
- 2 Alignez la section filetée de la monture de l'objectif sur celle de la caméra et tournez lentement l'objectif dans le sens horaire pour l'assujettir sur la caméra.

Réglage de la position de l'objectif

Reportez-vous au mode d'emploi fourni avec l'objectif.

Montage d'un adaptateur pour microscope

Pour installer la caméra sur un microscope, etc., il est indispensable de monter un adaptateur approprié. La méthode de montage de l'adaptateur est identique à celle de l'objectif.

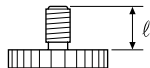
Pour plus de détails, reportez-vous au mode d'emploi de l'adaptateur.

Montage sur un trépied

Installez l'adaptateur de trépied fourni à l'aide des trois orifices de vissage (M3) sur le panneau supérieur ou inférieur. Montez ensuite le trépied sur l'adaptateur à l'aide des vis de montage suivantes:

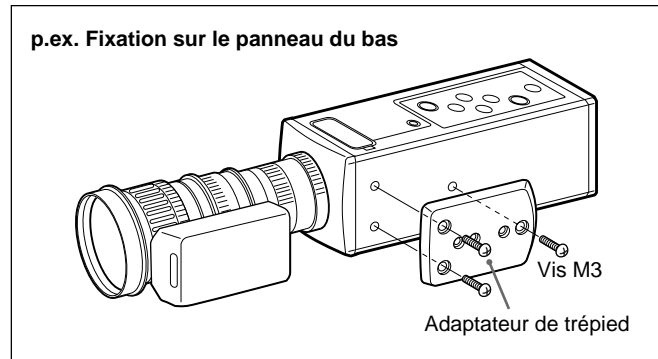
U1/4", 20 UNC

$\ell = 4,5 \text{ mm} \pm 0,2 \text{ mm}$ (normes ISO)



Montage de l'adaptateur de trépied fourni

Voici un exemple d'installation de l'adaptateur de trépied sur le panneau inférieur de la caméra. Vous pouvez également installer l'adaptateur de trépied sur le panneau supérieur de la caméra.



Montage au mur ou au plafond

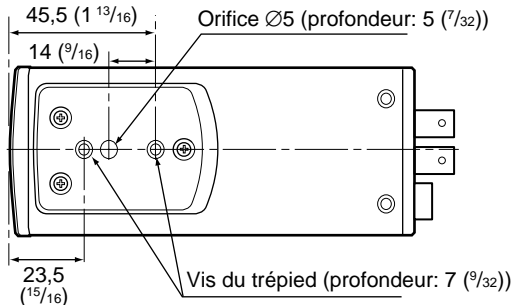
Installez la caméra avec l'adaptateur de trépied sur le support de montage ou sur le support de suspension à l'aide des vis appropriées (U1/4", 20 UNC) prévues pour les orifices de vissage du trépied sur l'adaptateur.

(suite page suivante)

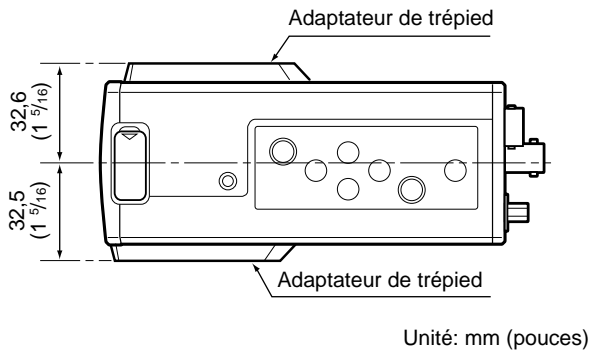
Installation

Dimensions de référence pour l'installation d'un trépied

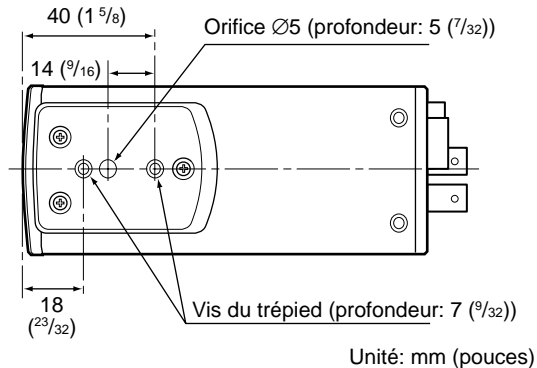
Dessus



Côté



Dessous



Raccordement de base du système

Pour assurer l'alimentation de la caméra, utilisez l'adaptateur de caméra CMA-D2/D2MD/D2CE/D2MDCE/D3/D3CE.

L'adaptateur de caméra que vous pouvez utiliser avec votre caméra dépend du signal système et de l'usage.

Usage \ Système	Norme EIA, système couleur NTSC	Norme CCIR, système couleur PAL
Médical	CMA-D2MD	CMA-D2MDCE
Non médical	CMA-D2 CMA-D3	CMA-D2CE CMA-D3CE

Remarque sur les raccordements

Mettez tous les appareils hors tension avant d'établir quelque connexion que ce soit.

Utilisation de l'adaptateur de caméra CMA-D2/D2MD/D2CE/D2MDCE

Il y a deux méthodes de raccordement pour la caméra et de l'adaptateur de caméra.

- A l'aide du câble CCDC qui alimente uniquement la caméra (*Pour la méthode de raccordement, voir page 48.*)
- A l'aide du câble CCMC qui alimente la caméra et transmet les signaux vidéo à l'adaptateur de caméra (*Pour la méthode de raccordement, voir page 49.*)

Remarque

Veillez à utiliser un adaptateur de caméra pour chaque unité DXC-390/390P.

Bien que l'adaptateur de caméra comporte deux connecteurs CAMERA (à 4 et 12 broches), la consommation de courant de la caméra est telle que vous ne pouvez pas raccorder deux unités de caméra en même temps.

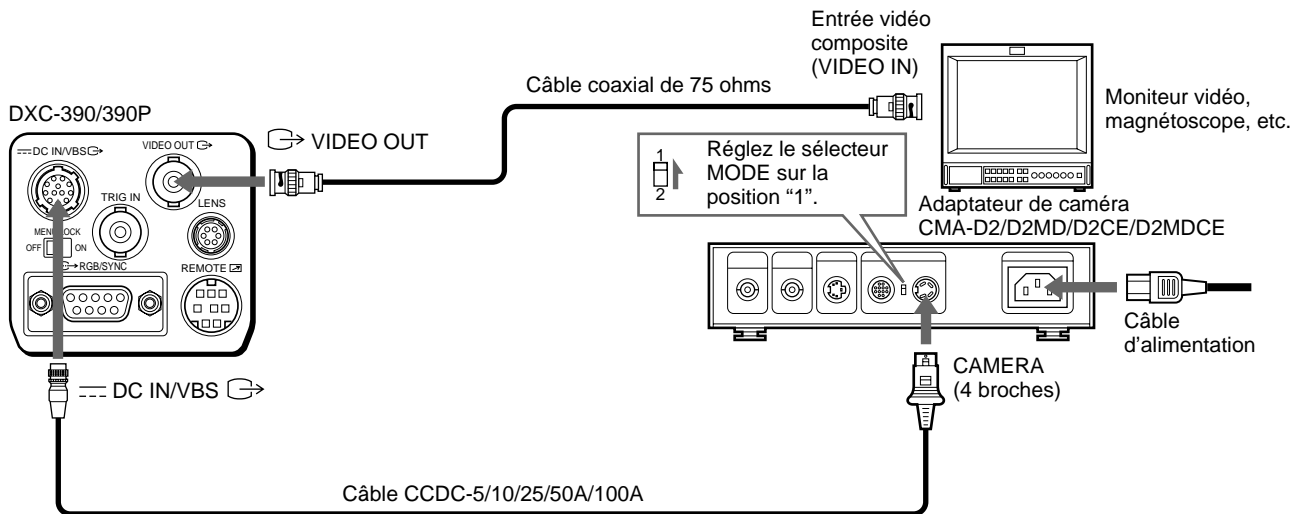
Utilisation de l'adaptateur de caméra CMA-D3/D3CE

Les connexions utilisant l'adaptateur de caméra CMA-D3/D3CE permettent d'assurer une alimentation électrique à la caméra et transmettre des signaux vidéo à l'adaptateur de caméra. (*Pour plus de détails sur la méthode de connexion, voir page 52.*)

Raccordement de base du système

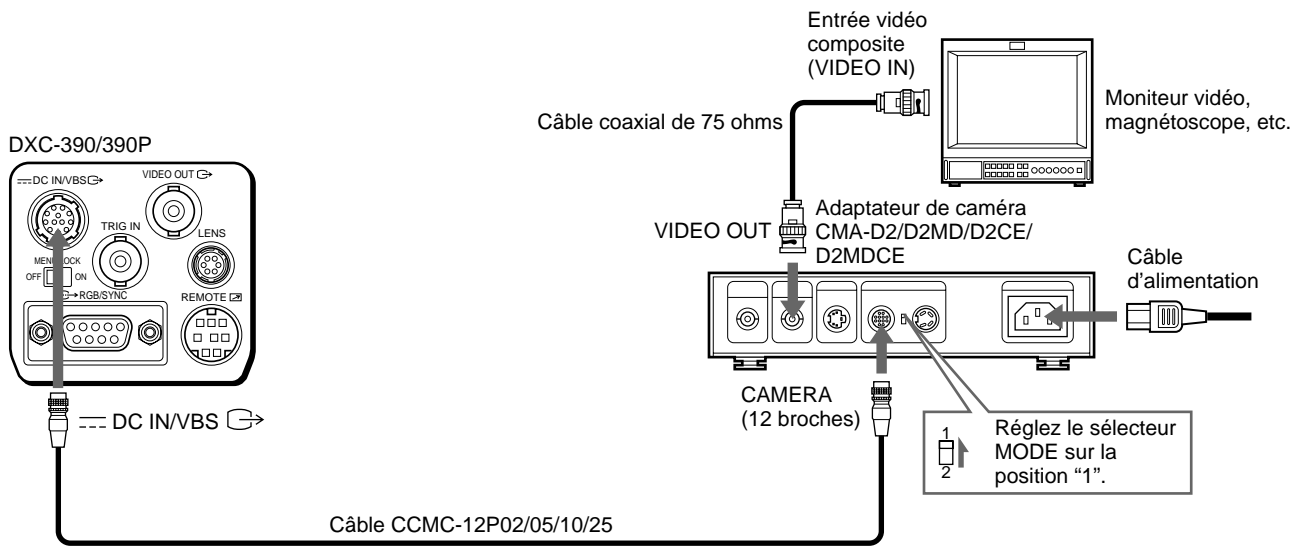
Raccordement à un appareil vidéo équipé de connecteurs d'entrée vidéo composites

Raccordement à l'aide d'un câble CCDC



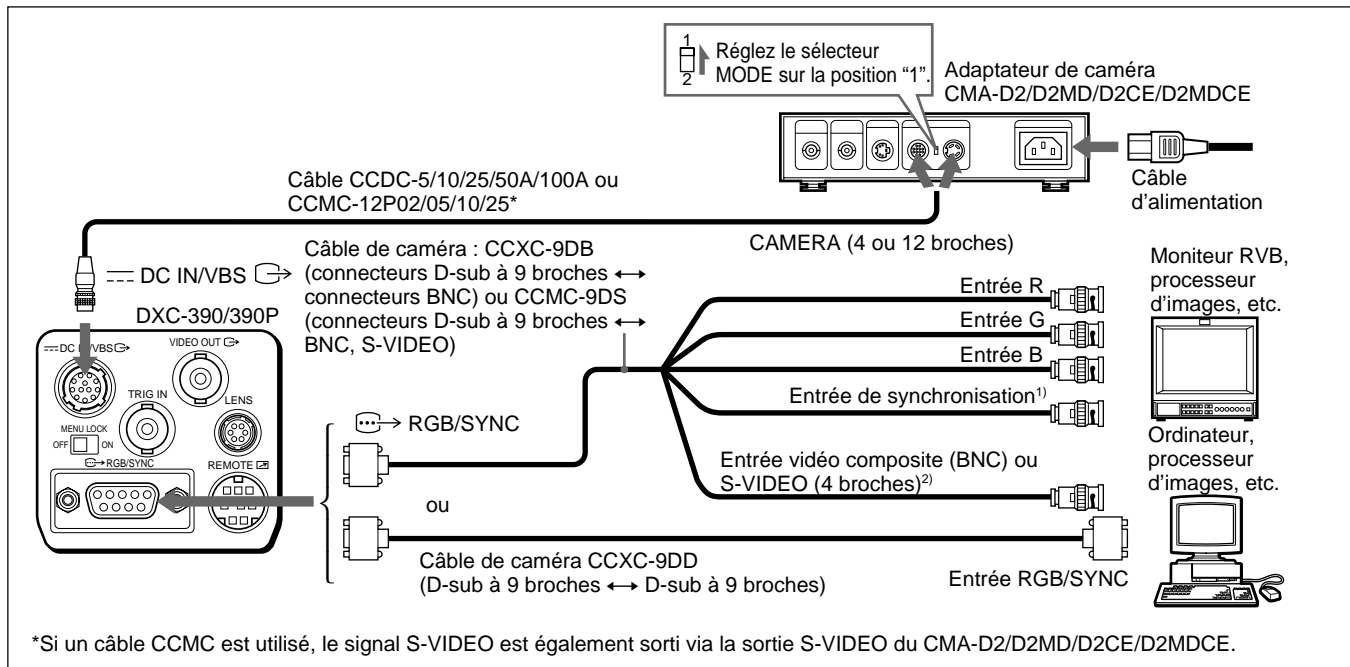
Installation à l'aide d'un câble CCDC (pour l'alimentation uniquement)

Raccordement à l'aide d'un câble CCMC



Installation à l'aide d'un câble CCMC (pour l'alimentation de la caméra et la transmission des signaux vidéo à l'adaptateur de caméra)

Raccordement à un appareil vidéo équipé d'entrées RVB ou S-VIDEO



1) Si vous utilisez un moniteur vidéo sans connecteur d'entrée de signal de synchronisation, la caméra peut être réglée pour envoyer un signal de synchronisation avec le signal V ou les signaux RVB.

Pour plus de détails, voir "Menu SYSTEM" à la page 27.

2) Cette installation est prévue pour le raccordement à un connecteur (VBS) vidéo composite. Pour sortir des signaux Y/C séparés vers l'entrée S-VIDEO de l'appareil vidéo, utilisez un câble de caméra CCMC-9DS.

Pour plus de détails sur la commutation des sorties de caméra VBS (vidéo composite) et Y/C, voir "Menu SYSTEM" à la page 27.

Raccordement de deux caméras ou plus—Système multicaméra

Remarques sur le système multicaméra

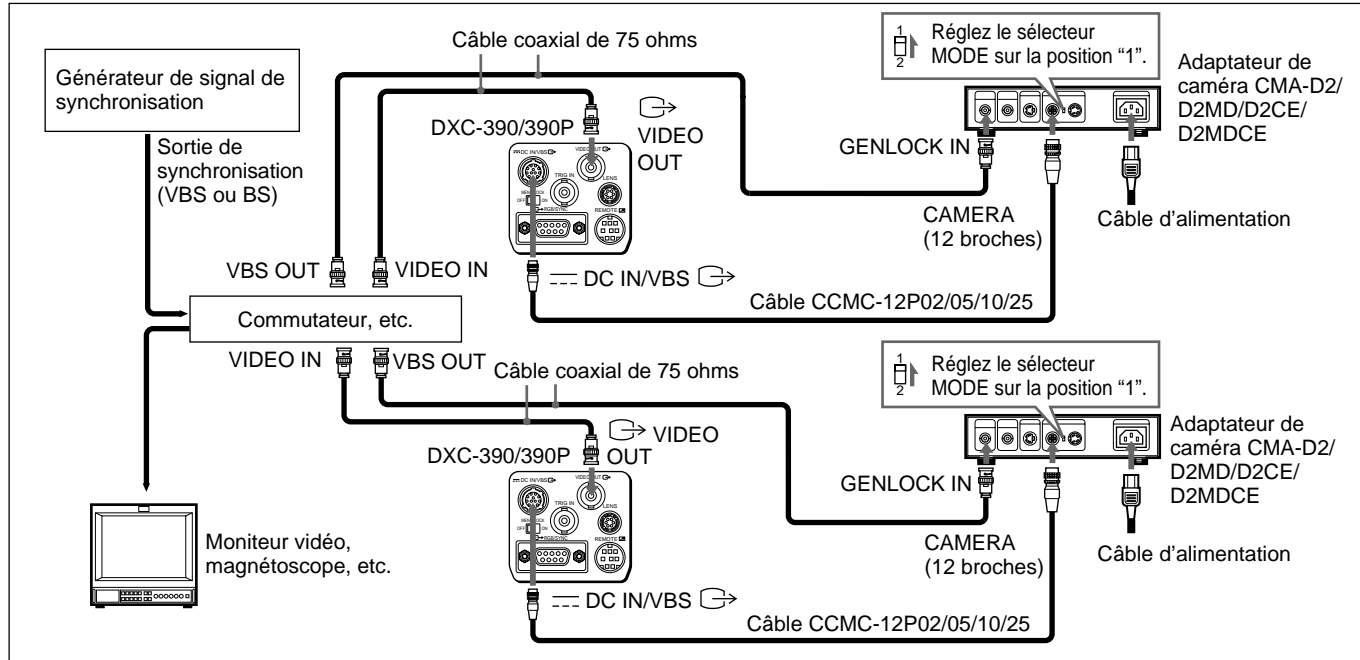
Appliquez la procédure suivante pour éviter les scintillements lors de la commutation de deux caméras ou plus raccordées à un commutateur vidéo:

- Envoyez le même signal de synchronisation aux

connecteurs GENLOCK IN de chaque adaptateur de caméra (voir ci-dessous).

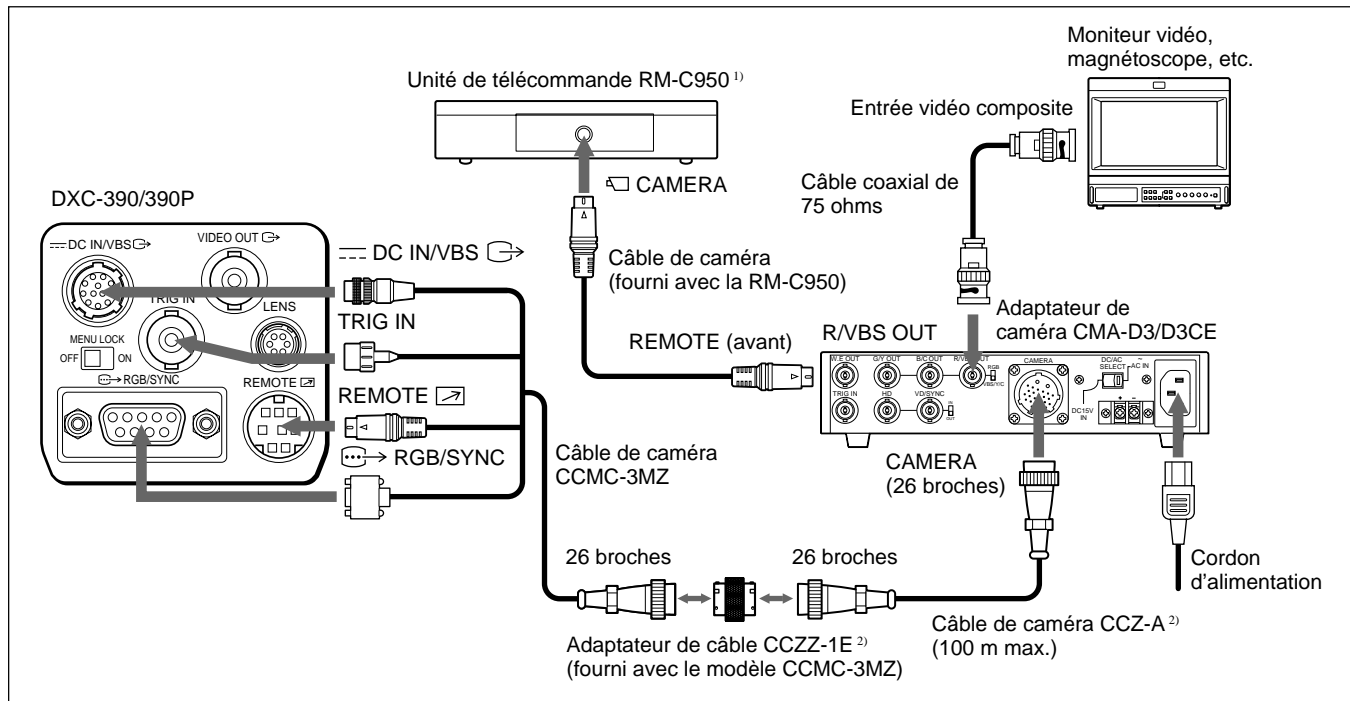
- Ajustez les phases de sous-porteuse et de synchronisation horizontale pour toutes les caméras.

Pour plus de détails, voir “Réglage de la tonalité de l’image dans un système multicaméra” à la page 41.



Raccordement de base du système

Connexion de l'adaptateur de caméra CMA-D3/D3CE





1) Dans ce cas, raccordez la télécommande RM-C950 à l'adaptateur de caméra CMA-D3/D3CE.


2) Pour rallonger le câble, raccordez le câble de caméra CCMC-3MZ au câble de caméra CCZ-A à l'aide de l'adaptateur de câble CCZZ-1E fourni avec le modèle CCMC-3MZ.

Exploitation de la caméra à l'aide de la télécommande RM-C950

Si vous utilisez une unité de télécommande RM-C950 avec cette caméra, le nom et la fonction des touches PRINT, FLASH, LONG EXPOSURE et FUNCTION et de la commande GAIN changent comme suit, selon les fonctions de la caméra.

Fonction des touches PRINT, FLASH, LONG EXPOSURE et FUNCTION et de la commande GAIN de la RM-C950

Touches/ commande de la RM-C950	Nom des touches/ commande si utilisation avec la caméra	Fonction
PRINT 	ENTER	Pour afficher le menu de réglage sélectionné dans le menu MAIN ou pour régler la fenêtre AE, etc., manuellement dans les menus.
FLASH 	FILE SELECT	Pour commuter les fichiers de réglages programmés A et B.

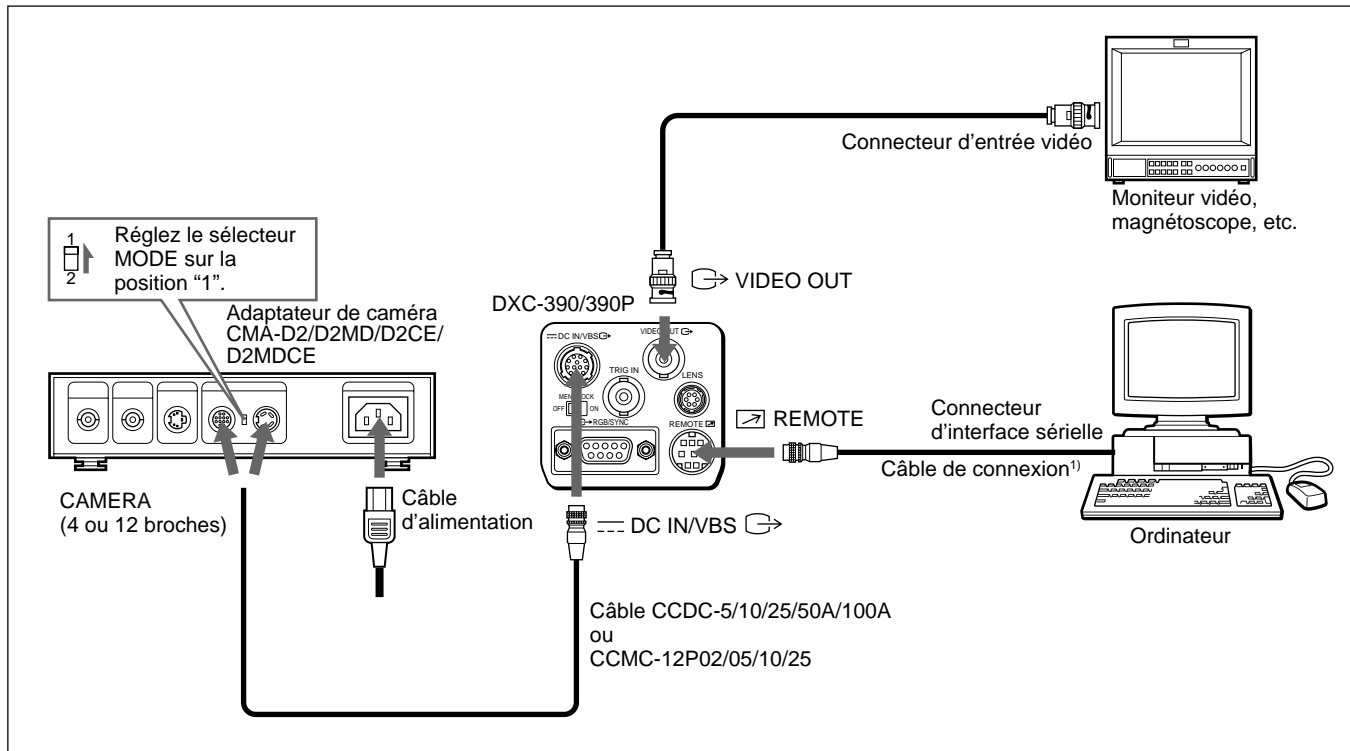
Touches/ commande de la RM-C950	Nom des touches/ commande si utilisation avec la caméra	Fonction
LONG EXPOSURE ↑ ↓	SHUTTER SPEED	Pour régler la vitesse d'obturation sans afficher le menu lorsque SHUTTER est réglé sur STEP ou VARIABLE dans la menu.
GAIN 	GAIN	Pour changer la plage variable des niveaux de gain sur 0–24 dB.
FUNCTION ↑	BLACK	Pour activer le réglage automatique de la balance des noirs.

Application de la feuille nominative fournie

La feuille nominative pour les touches lorsque la caméra est employée avec la télécommande est fournie avec la caméra. Appliquez la feuille nominative sur le panneau de commande de la RM-C950.

- 1 Avant l'application, nettoyez le panneau de commande de la RM-C950.
- 2 Décollez la feuille adhésive à l'arrière de la feuille nominative et appliquez-la sur le panneau.

Raccordement à un ordinateur

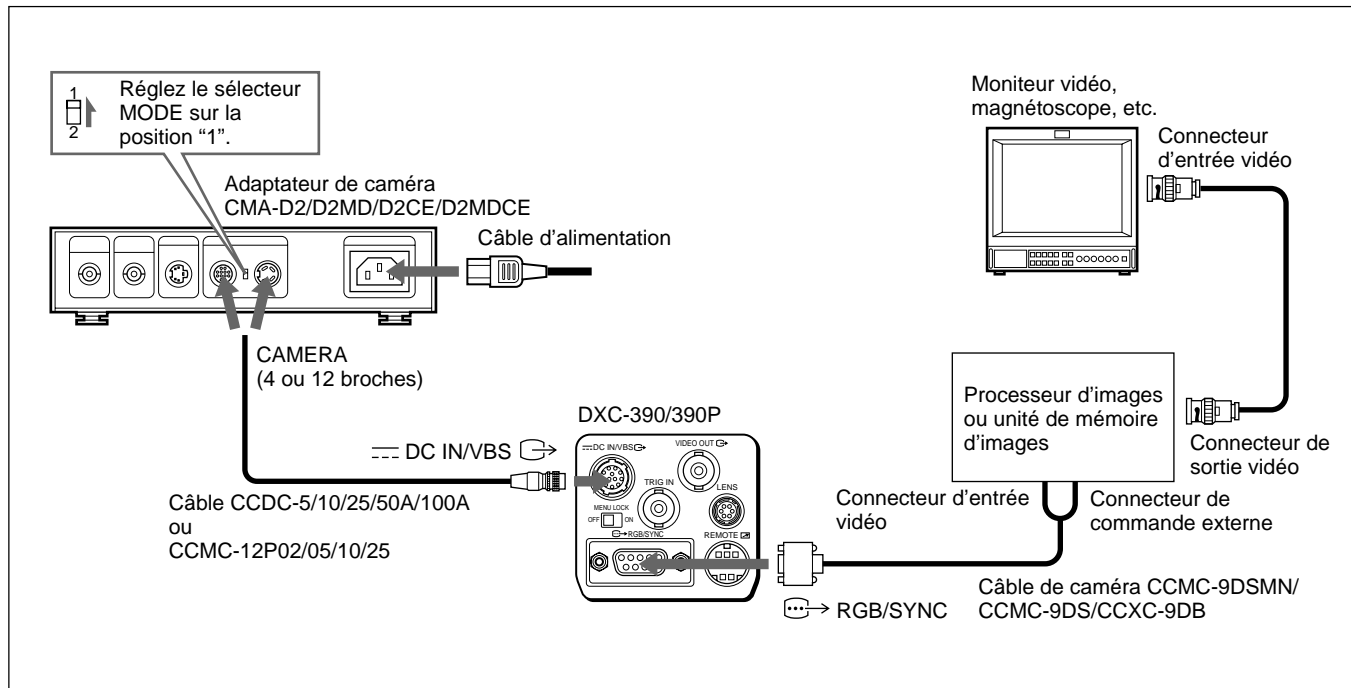


Système de commande de la caméra avec un ordinateur utilisant une commande RS-232C

1) Utilisez un câble de connexion blindé pour le raccordement à un ordinateur.

Pour plus de détails sur les protocoles RS-232C et les câbles de connexion à un ordinateur, consultez votre revendeur Sony agréé.

Raccordement pour les prises de vues à exposition longue

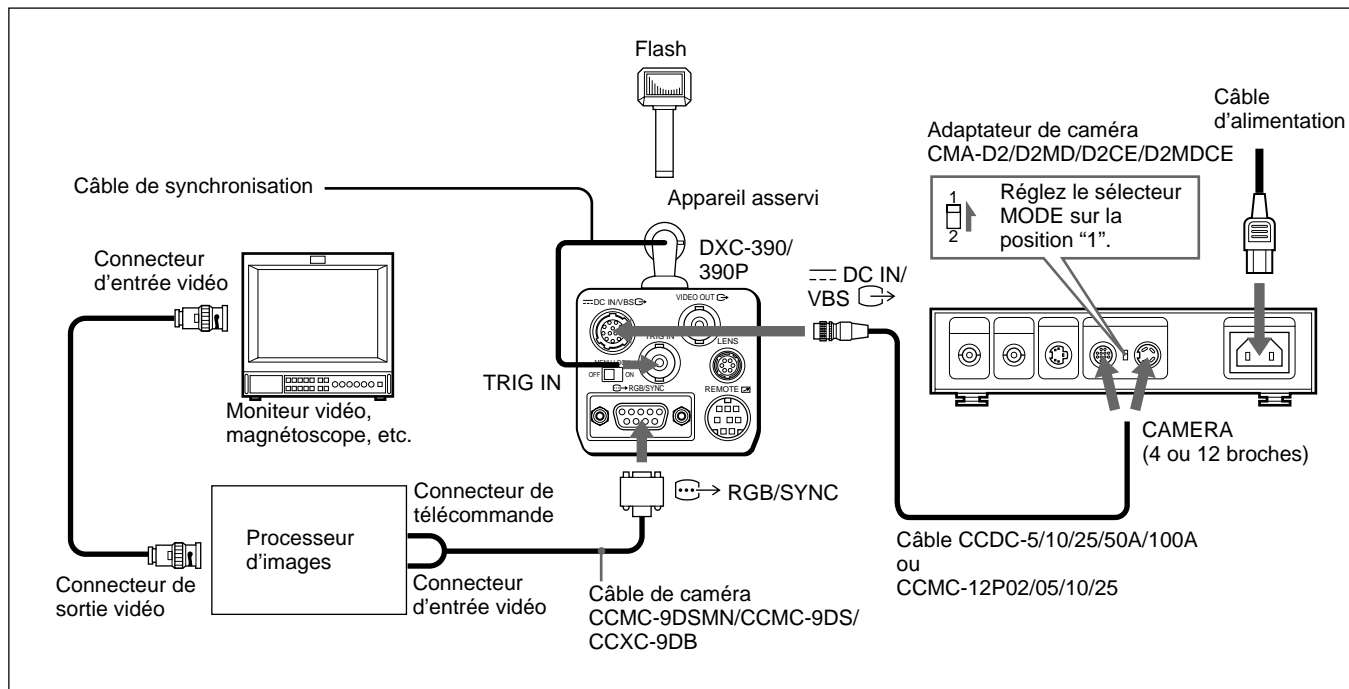


Système de prise de vues en exposition longue en mode VARIABLE pour obturateur électronique

Remarque

Pour les prises de vues en exposition longue, réglez D-SUB SYNC sur WEN et RGB SYNC sur G (ou RGB) dans le menu SYSTEM (page 28).

Raccordement pour les prises de vues au flash



Remarque

Si vous raccordez un flash, réglez TRIGGER sur ON dans le menu GENERAL (page 27) et D-SUB SYNC sur WEN dans le menu SYSTEM (page 28).

Précautions

Lieu d'utilisation et de rangement

L'utilisation ou le rangement de la caméra dans les endroits suivants peut provoquer des dégâts à la caméra:

- extrêmement chauds ou froids (température de service: -5 à +45 °C [23 à 113 °F]);
- exposés au rayonnement direct du soleil pendant une longue durée ou à proximité d'un système de chauffage;
- proches de puissantes sources magnétiques;
- proches de sources de puissantes radiations électromagnétiques, comme des transmetteurs de radio ou de télévision.
- endroits soumis à de fortes vibrations ou à des chocs

Ventilation

Pour prévenir toute surchauffe interne, n'entrez pas la circulation de l'air autour de la caméra.

Transport

Pour transporter la caméra, remballiez-la dans son conditionnement d'origine ou dans des matériaux de qualité équivalente.

Nettoyage

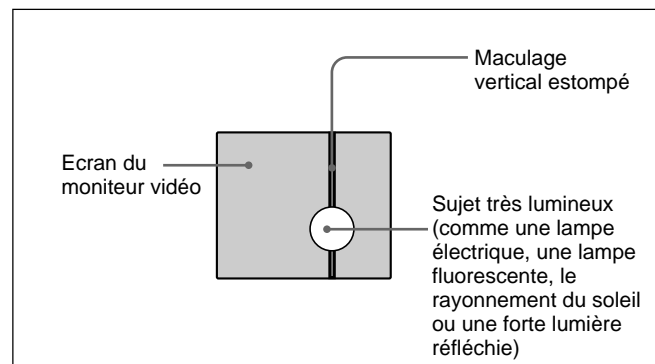
- Utilisez un pinceau soufflant pour éliminer la poussière de l'objectif et du filtre optique.
- Utilisez un chiffon doux et sec pour nettoyer les surfaces externes de la caméra. Les taches tenaces s'éliminent avec un chiffon doux légèrement imprégné d'une solution détergente ; ensuite, essuyez.
- N'utilisez pas de solvants puissants tels que de l'alcool, de la benzine ou du diluant, car vous risquez de ternir le fini de l'appareil.

Phénomènes typiques du CCD

Les phénomènes suivants peuvent apparaître sur l'écran du moniteur pendant que vous utilisez la caméra vidéo couleur DXC-390/390P. Ces phénomènes sont produits par la haute sensibilité des capteurs d'image CCD et n'indiquent pas une défaillance de la caméra.

Maculage vertical

Du "maculage" vertical peut apparaître autour des objets brillants comme indiqué ci-dessous.



Ce phénomène est commun aux éléments de formation de l'image CCD utilisant un système à transfert et interligne, et se produit lorsqu'une charge électrique induite par une profonde radiation infrarouge dans le photocapteur est transférée aux résistances.

Crénelage

Lors de prises de vues de fines rayures, de lignes droites ou de motifs similaires, il se peut que les lignes apparaissent légèrement crénelées.

Défauts d'aspect

Un capteur d'image CCD est constitué de nombreux éléments d'images individuels (pixels). Le dysfonctionnement d'un élément de capteur se manifeste par le pâlissement d'un pixel dans l'image. Cela ne pose généralement pas de problèmes.



Mouchetures blanches

Lors des prises de vues d'un objet faiblement éclairé sous de hautes températures, de petits points blancs peuvent apparaître sur toute la surface de l'image à l'écran.

Liste des messages

Les messages suivants peuvent apparaître sur l'écran.
Prenez les mesures requises indiquées ci-dessous.

Messages affichés durant le réglage automatique de la balance des blancs

Message	Signification/Remèdes
WHITE: OK	Le réglage automatique de la balance des blancs est correct.
WHITE: NG LEVEL LOW	Le niveau vidéo de l'image est trop faible. <ul style="list-style-type: none">• Augmentez l'éclairage.• Ouvrez davantage le diaphragme.• Augmentez le gain vidéo. Appliquez les mesures ci-dessus et appuyez ensuite sur la touche  WHITE.
WHITE: NG LEVEL HIGH	Le niveau vidéo de l'image est trop élevé. <ul style="list-style-type: none">• Éliminez les objets fortement éclairés.• Diminuez l'éclairage.• Fermez le diaphragme.• Diminuez le gain vidéo. Appliquez les mesures ci-dessus et appuyez ensuite sur la touche  WHITE.
WHITE: NG TEMP LOW	La température est trop faible. Réglez la température des couleurs de l'objet sur le niveau approprié.

Messages affichés durant le réglage automatique de la balance des blancs (suite)

Message	Signification/Remèdes
WHITE: NG TEMP HIGH	La température est trop élevée. Réglez la température des couleurs de l'objet sur le niveau approprié.
WHITE: NG TRY AGAIN	La caméra n'est pas parvenue à régler la balance des blancs. Ajoutez du blanc à l'objet de la prise de vues. Appliquez les mesures ci-dessus et recommencez. Si le message apparaît même après avoir répété le réglage, c'est que la caméra doit être révisée. Consultez votre revendeur Sony agréé.

Messages affichés durant le réglage automatique de la balance des noirs

Message	Signification/Remèdes
BLACK: OK	Le réglage automatique de la balance des noirs est correct.
BLACK: NG IRIS close?	La caméra n'est pas parvenue à régler la balance des noirs. Fermez le diaphragme et appuyez ensuite sur la touche BLACK.
BLACK: NG	La caméra n'a pas réussi à régler la balance des noirs. Vérifiez la caméra puis appuyez sur la touche BLACK. Si le message apparaît après avoir répété le réglage, vous devez vérifier l'intérieur de la caméra. Contactez votre revendeur Sony agréé.

Spécifications

Système d'image/Système optique

Dispositif d'image	CCD type 1/3, type à transfert et interligne
Eléments d'image effectifs	DXC-390: 768 (horizontal.) × 494 (vertical.) DXC-390P: 752 (horizontal.) × 582 (vertical.)
Monture d'objectif	Monture C

Système vidéo

Synchronisation	Synchronisation interne/externe (VBS, HD/VD), commutation automatique
Format du signal	DXC-390: Format standard NTSC (normes EIA) DXC-390P: Format standard PAL (normes CCIR)
Balayage	DXC-390: 525 lignes, entrelacement 2:1 DXC-390P: 625 lignes, entrelacement 2:1
Fréquence de balayage	DXC-390: 15,734 kHz (horizontal.), 59,94 Hz (vertical.) DXC-390P: 15,625 kHz (horizontal.), 50,00 Hz (vertical.)

Fonctions/Performances

Résolution horizontale	800 lignes TV
Sensibilité	2000 lux (F8, 3.200K)
Rapport signal/bruit	DXC-390: 62 dB DXC-390P: 61 dB
Commande de gain	AGC: Réglage automatique du gain STEP: 0–24 dB (par incréments de 1 dB) HYPER
Balance des blancs	AWB: R. PAINT, B. PAINT MANUAL: R. GAIN, B. GAIN ATW: R. PAINT, B. PAINT 3200K 5600K
Vitesses de l'obturateur électronique	Réglable dans une plage comprise entre 1/100000 et environ 8,0 s. (réglable avec CCD IRIS)
Matrice linéaire	Commutable
Compensation gamma	Commutable
Mode d'accumulation de charge	Commutation modes de champ et d'image

(suite page suivante)

Entrées/Sorties

Signaux d'entrée/sortie vidéo

Vidéo composite: 1 Vp-p (75 ohms)

R/V/B: 1,0 Vp-p (75 ohms avec R/V/B sur Sync)

Y: 1 Vp-p (75 ohms)

Y/C: 1 Vp-p, même niveau que VBS chroma, 75 ohms

SYNC: 2 Vp-p, 75 ohms

Entrée de synchronisation externe

VBS/BS, HD/VD (VBS 1 Vp-p ou séparation 0,3 Vp-p, SYNC 0,3 Vp-p ou HD/VD 4,0 Vp-p, 75 ohms)

Connecteurs d'entrée/sortie

VIDEO OUT: BNC, 75 ohms, asynchrone

DC IN/VBS: 12 broches

REMOTE: miniconnecteur DIN à 18 broches

TRIG IN: BNC, TTL

RGB/SYNC: D-sub à 9 broches

LENS: Connecteur à 6 broches pour le zoom spécialement conçu pour cette caméra

Caractéristiques générales

Alimentation 12 V CC

Consommation de courant

Approx. 7,6 W

Température de service

-5 à +45 °C (23 à +113 °F)

Température de stockage et de transport

-20 à +60 °C (-4 à +140 °F)

Humidité de service

20 à 80% (sans condensation)

Humidité de stockage et de transport

20 à 90% (sans condensation)

Dimensions 56 × 50 × 128 mm (2 1/4 × 2 × 5 1/8 pouces)
(l/h/p) (parties saillantes non comprises)

Masse Approx. 370 g (13 oz)

Accessoires fournis

Bouchon de monture d'objectif (1)

Adaptateur de trépied (1)

Feuille nominative des touches de la RM-C950 (1)

Mode d'emploi (1)

Carte de garantie (1) (DXC-390 uniquement)

Guide des sociétés de vente (1) (DXC-390P uniquement)

Spécifications médicales

Protection contre les chocs électriques:

Classe I

Protection contre la pénétration néfaste d'eau:

Ordinaire

Degré de sécurité en présence d'anesthésiants inflammables ou d'oxygène:

Ne convient pas à une utilisation en présence d'anesthésiants inflammables ou d'oxygène.

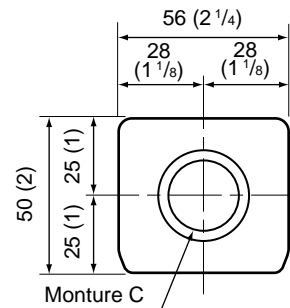
Mode de fonctionnement:

Continu

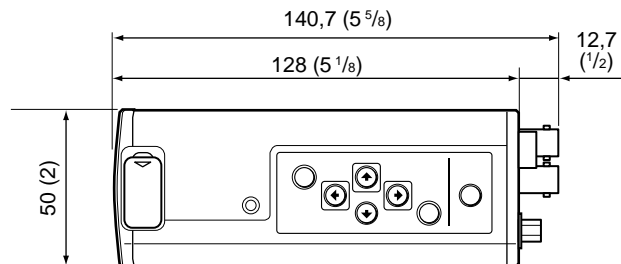
La conception et les spécifications sont sujettes à modifications sans préavis.

Dimensions

Avant



Côté

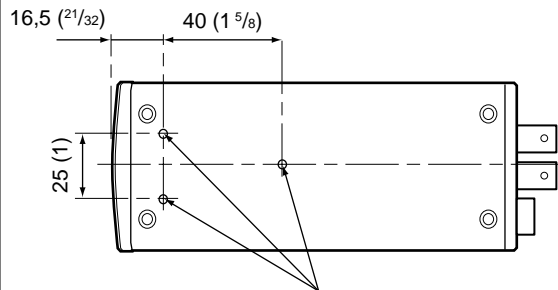


Unité: mm (pouces)

(suite page suivante)

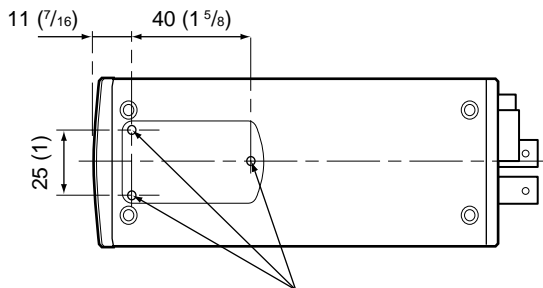
Spécifications

Dessus



Orifice de vissage
(M3, profondeur: 4 (3/16))

Dessous



Orifice de vissage
(M3, profondeur: 4 (3/16))

Unité: mm (pouces)

Accessoires en option

Objectifs

Zoom VCL-614WEA (14 ×, f = 5,5 – 77 mm)

Zoom VCL-610WEA (10 ×, f = 6,5 – 65 mm)

Adaptateur de caméra

Adaptateur de caméra CMA-D2 (format NTSC)

Adaptateur de caméra CMA-D2MD (format NTSC, usage médical)

Adaptateur de caméra CMA-D2CE (format PAL)

Adaptateur de caméra CMA-D2MDCE (format PAL, usage médical)

Adaptateur de caméra CMA-D3 (format NTSC)

Adaptateur de caméra CMA-D3CE (format PAL)

Unité de télécommande

Unité de télécommande RM-C950 (câble de connexion fourni)

Câble d'alimentation

Câble CCDC (longueur: 5 m [16 pieds], 10 m [32 pieds] ou 25 m [82 pieds])

Câble CCDC-A (longueur: 50 m [164 pieds] ou 100 m [328 pieds])

Câble CCMC (longueur: 2 m [7 pieds], 5 m [16 pieds], 10 m [32 pieds] ou 25 m [82 pieds])

CCMC-3MZ (longueur: 3m [10 pieds])

Câble CCZ-A (longueur: 2 m [7 pieds] ou 5 m [16 pieds], 10 m [32 pieds], 25 m [82 pieds], 50 m [164 pieds] ou 100 m [330 pieds])

Câble de caméra

CCXC-9DB (D-sub ↔ BNC × 5)

CCXC-9DD (D-sub ↔ D-sub)

CCMC-9DS (D-sub ↔ BNC × 4, connecteur S-VIDEO)

CCMC-9DSMN (D-sub ↔ BNC × 3, prise phono, connecteur S-VIDEO)

VORSICHT

Um Feuergefahr und die Gefahr eines elektrischen Schlages zu vermeiden, darf das Gerät weder Regen noch Feuchtigkeit ausgesetzt werden.

Um einen elektrischen Schlag zu vermeiden, darf das Gehäuse nicht geöffnet werden. Überlassen Sie Wartungsarbeiten stets nur qualifiziertem Fachpersonal.

Für Kunden in Europa (nur DXC-390P)

Dieses Produkt besitzt die CE-Kennzeichnung und erfüllt die EMV-Direktive (89/336/EWG) der EG-Kommission.

Die Erfüllung dieser Direktive bedeutet Konformität für die folgenden Europäischen Normen:

- EN55103-1: Elektromagnetische Interferenz (Emission)
- EN55103-2: Elektromagnetische Empfindlichkeit (Immunität)

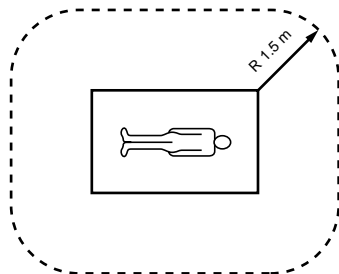
Dieses Produkt ist für den Einsatz unter folgenden elektromagnetischen Bedingungen ausgelegt:

E1 (Wohnbereich), E2 (kommerzieller und in beschränktem Maße industrieller Bereich), E3 (Stadtbereich im Freien) und E4 (kontrollierter EMV-Bereich, z.B. Fernsehstudio).

Wichtige Sicherheitshinweise zur Verwendung des Geräts im medizinischen Bereich

1. Alle Geräte, die an diese Einheit angeschlossen sind, müssen den Standards IEC60601-1, IEC60950 und IEC60065 oder anderen IEC-/ISO-Standards, die für die Geräte gelten, entsprechen.
2. Wenn diese Einheit zusammen mit anderen Geräten in der Patientenumgebung* verwendet wird, müssen die Geräte entweder mit einem Isolationstransformator betrieben oder über einen zusätzlichen Schutzleitungsanschluß mit der Gehäusemasse verbunden werden, es sei denn, sie entsprechen dem Standard IEC60601-1.

* Patientenumgebung



3. Der Ableitstrom kann sich beim Zusammenschluß mehrerer Geräte summieren und höhere Werte annehmen.

4. Dieses Gerät erzeugt und verwendet Hochfrequenzenergie und kann diese auch abstrahlen. Wenn das Gerät nicht entsprechend den Anweisungen in dieser Anleitung installiert und verwendet wird, kann es Interferenzen mit anderen Geräten hervorrufen. Dies können Sie leicht feststellen, indem Sie das Netzkabel vom Gerät lösen. Versuchen Sie bei Interferenzen folgendes: Stellen Sie das Gerät weiter entfernt vom gestörten Gerät auf. Schließen Sie dieses Gerät und das andere Gerät an verschiedene Stromkreise an. Wenden Sie sich für weitere Informationen an Ihren Händler. (nach Standard EN60601-1-2 und CISPR11, Klasse B, Gruppe 1)

Vorsicht

Wenn Sie das Gerät oder die Zubehörteile entsorgen, beachten Sie unbedingt die gesetzlichen Vorschriften in der jeweiligen Region bzw. im jeweiligen Land sowie die Vorschriften in der jeweiligen Klinik.

Kapitel 1

Übersicht

Merkmale und Funktionen	6
Lage und Funktion der Teile und Bedienelemente	8
Vorderseite/Oberseite/Unterseite	8
Rechte Seite (Bedienfeld)	9
Rückseite	11

Kapitel 2

Betrieb

Einstellen über die Menüs	12
Die Menüstruktur	12
Arbeiten mit den Menüs	14
Menüfunktionen	16
Werkseitige Einstellungen der Menüoptionen	31
Aufnahmen	32
Einstellen des Aufmaßes	32
Grundlegendes Aufnahmeverfahren	35
Einstellen von Blende, Brennpunkt und Zoom	36
Einstellen des Schwarzwerts (Schwarzabgleich)	38
Einstellen des Weißwerts (Weißabgleich)	39
Einstellen der Farbqualität in einem System mit mehreren Kameras	41

Kapitel 3

Installation und Anschlüsse

Installation	42
Geeignete Objektive	42
Anbringen des Objektivs	43
Anbringen eines Mikroskopadapters	45
Montieren auf einem Stativ	45
Installation der Kamera an Wand oder Decke	45
Grundlegende Systemanschlüsse	47
Anschließen an Videogeräte mit FBAS-Videoeingängen	48
Anschließen an Videogeräte mit RGB- oder S-Videoeingängen	50
Anschließen von mehreren Kameras — Multikamerasystem	51
Anschließen des Kameraadapters CMA-D3/D3CE	52
Anschließen an eine Fernsteuereinheit	53
Bedienen der Kamera über die Fernsteuereinheit RM-C950	54
Anschließen an einen Computer	55
Anschlüsse für Aufnahmen mit Langzeitbelichtung	56
Anschlüsse für Aufnahmen mit Blitz	57

Kapitel 4

Anhang

Sicherheitsmaßnahmen	58
Typische CCD-Phänomene	59
Liste der Meldungen	60
Technische Daten	61
Sonderzubehör	65

Übersicht

Merkmale und Funktionen

Hohe Bildqualität

- Der Exwave-HAD^{TM1}-CCD²⁾ (1/3 Zoll, hohe Dichte, 3 Chips) enthält etwa 380.000 (DXC-390) bzw. 430.000 (DXC-390P) effektive Bildelemente (Pixel) und bietet eine besonders hohe Bildqualität: hohe Auflösung von 800 horizontalen Fernsehzeilen, hohe Empfindlichkeit von F8 bei 2.000 lx, hervorragender Signal-Rauschabstand von 62 dB (DXC-390) oder 61dB (DXC-390P) sowie ein sehr geringfügiger Nachzieheffekt.
- Die LSI-Technologie für die Verarbeitung digitaler Signale erzeugt ein feineres, detailreicheres Bild.
- Die DynaLatitude-Verarbeitung ermöglicht eine Feineinstellung des Kontrasts je nach Luminanzsignalpegel der einzelnen Bildelemente.

- Die Funktion DCC+ (Dynamic Contrast Control plus) minimiert das bei CCD-Kameras häufige Phänomen, daß beim Aufnehmen eines sehr hellen Objekts der gesamte Bildschirm weiß wird oder die Farben in einem Teil des Bildes verschwinden.
- Mit der Funktion Partial Enhance können Sie die Bildschärfe und den genauen Farbton für eine bestimmte Farbe individuell regulieren.

Belichtungssteuerung für unterschiedlichste Lichtverhältnisse

Mit Hilfe der AGC-Funktion (Auto Gain Control) und der CCD-IRIS^{TM 3)}-Funktion stellt sich die Kamera automatisch auf sehr unterschiedliche Lichtverhältnisse ein. Bei Aufnahmen in unzureichender Beleuchtung erhöht die

1) Exwave HADTM: Exwave Hole-Accumulated Diode
"Exwave HADTM" ist ein Warenzeichen der Sony Corporation.

2) CCD: Charge-Coupled Device

3) "CCD IRISTM" ist ein Warenzeichen der Sony Corporation.

AGC-Funktion den Gain-Wert automatisch um das bis zu 16fache. Wenn übermäßig viel Licht in das Objektiv gelangt, reguliert die CCD-IRIS-Funktion automatisch die Verschlusszeit, um die Belichtung zu reduzieren, und zwar um einen Wert, der bis zu 10 Öffnungsblenden entspricht. Wenn die Videokamera an einem festen Standort montiert oder in einem Mikroskopsystem verwendet wird, läßt sie sich mit Hilfe der Einstellungen für AGC, CCD-IRIS und Blendenaomatik automatisch an unterschiedlichste Umgebungslichtbedingungen anpassen. Das gewünschte AE-Fenster können Sie mit der Funktion AE AREA MANUAL festlegen.

Verschiedene elektronische Blendenmodi

Dank einer großen Bandbreite an Verschlusszeiten kann die elektronische Blende Unschärfen bei sich schnell bewegendenden Objekten minimieren und ausreichend helle Standbilder von Motiven erzeugen, die in unzureichender Beleuchtung aufgenommen werden.

- **Flimmerfreier Modus:** In diesem Modus können Sie flimmerfreie Bilder von Motiven erzielen, die bei fluoreszierender Beleuchtung (Leuchtstoffröhren) aufgenommen werden.
- **Clear-Scan-Modus:** In diesem Modus werden die horizontalen Streifen reduziert, die bei der Aufnahme von Computer-Bildschirmen mit herkömmlichen Videokameras zu sehen sind.

Vielseitig kombinierbar mit externen Geräten

- Die Videokamera verfügt über drei Typen von Ausgängen: FBAS-, Y/C- und RGB-Ausgänge. Bilder, die Sie mit der Kamera aufnehmen, lassen sich in hoher Qualität auf einem angeschlossenen Monitor bzw. über einen Videorecorder wiedergeben.
- Die Kamera läßt sich mit der Fernsteuereinheit RM-C950 (nicht mitgeliefert) fernsteuern.

RS-232C-Schnittstelle

Die Kamera kann über eine RS-232C-Schnittstelle von einem Computer aus gesteuert werden. Näheres dazu erfahren Sie bei Ihrem autorisierten Sony-Händler.

Kompakt und leicht

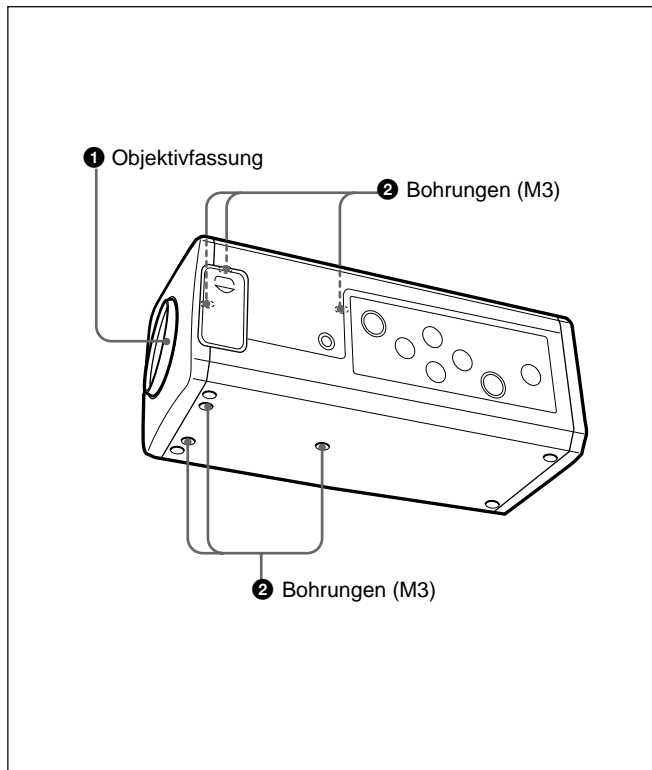
Die Kamera ist klein ($56 \times 50 \times 128$ mm) und sehr leicht (ca. 370 g). Damit ist die Installation auch bei beengten Platzverhältnissen kein Problem.

Im folgenden einige Einsatzmöglichkeiten für die Kamera:

- Als fest montierte Kamera in Theatern, Konzertsälen usw.
- Aufnahmen aus der Vogelperspektive bei besonderen Ereignissen
- Videokonferenzkamera
- Kamera für ein Mikroskop
- Wetterüberwachungskamera (Installation auf dem Dach)
- Laborkamera

Lage und Funktion der Teile und Bedienelemente

Vorderseite/Oberseite/Unterseite



1 Objektivfassung (C-Fassung)

Hier können Sie ein Objektiv für C-Fassungen oder einen Mikroskopadapter anbringen.

Hinweis

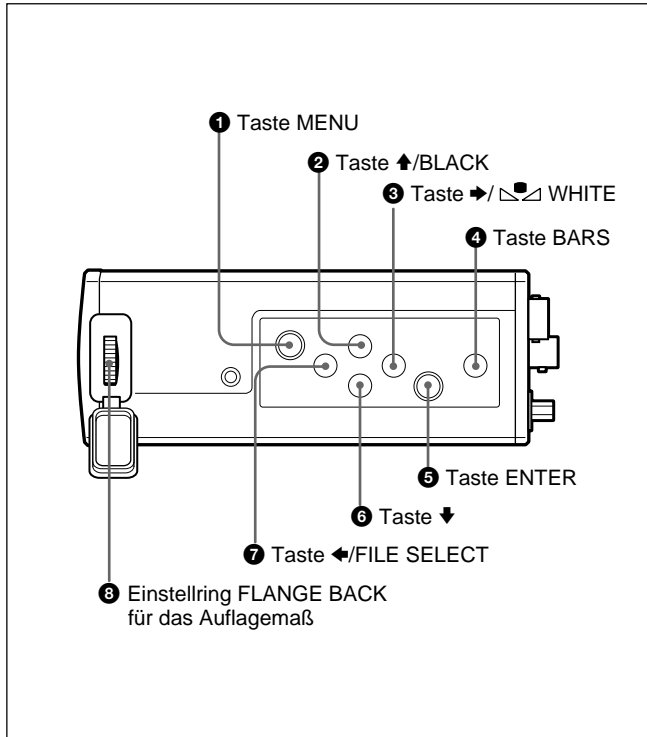
Verwenden Sie ausschließlich Objektive mit einem Überstand von maximal 4,3 mm über der Objektivmontagefläche. Bei einem Überstand von mehr als 4,3 mm können die internen Mechanismen der Kamera beschädigt werden.

2 Bohrungen

An diesen Bohrungen (M3, 4 mm tief) können Sie den mitgelieferten Stativadapter befestigen, um die Kamera an der Wand, an der Decke oder auf einem Stativ montieren zu können.

Die Montage des Stativadapters wird unter "Montieren auf einem Stativ" auf Seite 45 erläutert.

Rechte Seite (Bedienfeld)



1 Taste MENU

Ruft das Hauptmenü MAIN auf dem Monitorbildschirm auf. Mit einem erneuten Tastendruck auf MENU schließen Sie das Menü. Wenn ein Einstellmenü angezeigt wird, drücken Sie diese Taste, um wieder das Hauptmenü MAIN aufzurufen.

Erläuterungen zu den Menüs finden Sie unter "Arbeiten mit den Menüs" auf Seite 14.

2 Taste ↑/BLACK (Schwarzabgleich)

Wenn das Menü angezeigt wird: Bewegt den Cursor nach oben. Mit dieser Taste können Sie auch eine AE-Fenstereinstellung vornehmen usw.

Wenn die normale Anzeige zu sehen ist: Aktiviert den automatischen Schwarzabgleich.

3 Taste →/ ▢ WHITE (Weißabgleich)

Wenn das Menü angezeigt wird: Erhöht den Einstellwert oder ändert die Einstellung. Mit dieser Taste können Sie auch eine AE-Fenstereinstellung vornehmen usw.

Wenn die normale Anzeige zu sehen ist: Aktiviert den automatischen Weißabgleich, wenn MODE im Menü WHITE BALANCE auf AWB gesetzt ist.

Lage und Funktion der Teile und Bedienelemente

4 Taste BARS (Farbbalkensignalausgabe)

Über diese Taste wird das Farbbalkensignal ausgegeben. Drücken Sie die Taste erneut, wird wieder das Videosignal ausgegeben.
Zum Einstellen des Monitors wenden Sie sich bitte an Ihren autorisierten Sony-Händler.

5 Taste ENTER

Wählt im Hauptmenü MAIN ein Einstellenmenü aus. Mit dieser Taste können Sie auch eine AE-Fenstereinstellung vornehmen usw.

6 Taste ↓

Bewegt den Cursor nach unten. Mit dieser Taste können Sie auch eine AE-Fenstereinstellung vornehmen usw.

7 Taste ←/FILE SELECT

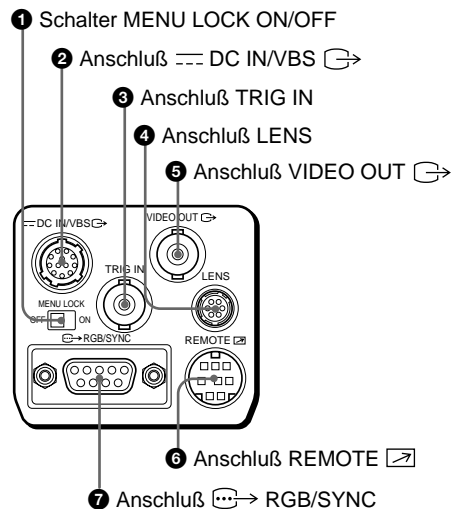
Wenn das Menü angezeigt wird: Verringert den Einstellwert oder ändert die Einstellung. Mit dieser Taste können Sie auch eine AE-Fenstereinstellung vornehmen usw.

Wenn die normale Anzeige zu sehen ist: Wechselt zwischen der Benutzerdatei A und B.

8 Einstellring FLANGE BACK für das Auflagemaß

Stellt das Auflagemaß an einem Objektiv ein, das nicht mit einer entsprechenden Funktion ausgestattet ist.
Erläuterungen zur Auflagemaßeinstellung finden Sie unter "Einstellen des Auflagemaßes" auf Seite 32.

Rückseite



1 Schalter MENU LOCK ON/OFF

Wenn dieser Schalter auf ON steht, erscheint das Menü nicht auf dem Bildschirm, auch wenn Sie die Taste MENU drücken.

2 Anschluß  (Gleichstromeingang/ Videosignalausgang, 12polig)

Zum Anschließen des Kameraadapters CMA-D2/D2MD/D2CE/D2MDCE/D3/D3CE. Dient zum Einspeisen von Gleichstrom und zum Ausgeben von Videosignalen.

3 Anschluß TRIG IN (BNC-Anschluß)

Zum Anschließen eines handelsüblichen untergeordneten Geräts: Im Stroboskopmodus fungiert dieser Anschluß als BNC-Anschluß.

4 Anschluß LENS (6polig)

Zum Anschließen des Objektivsteuernkabels, wenn Sie ein speziell zu dieser Kamera passendes Zoom-Objektiv anbringen.

5 Anschluß VIDEO OUT  (BNC-Anschluß)

Zum Ausgeben von FBAS-Videosignalen.

6 Anschluß REMOTE  (Mini-DIN, 8polig)

Zum Anschließen der Fernsteuereinheit RM-C950 (nicht mitgeliefert).

7 Anschluß  RGB/SYNC (D-Sub, 9polig)

Zum Ausgeben von RGB-Signalen mit ihren entsprechenden Synchronisationssignalen. Stellen Sie die Verbindung mit dem Kameraadapter CMA-D2/D2MD/D2CE/D2MDCE über das Verbindungskabel CCXC-9DB/CCXC-9DD/CCMC-9DS her. Verwenden Sie zur Verbindung mit dem Kameraadapter CMA-D3/D3CE das Verbindungskabel CCMC-3MZ.

Betrieb

Einstellen über die Menüs

Die Betriebseinstellungen der Kamera können Sie mühelos über die Bildschirmmenüs ändern. So können Sie die Einstellungen an die jeweiligen Aufnahmebedingungen anpassen und auf diese Weise die bestmögliche Bildqualität erzielen, oder Sie können das Bild mit Spezialeffekten ausgestalten.

Die Menüstruktur

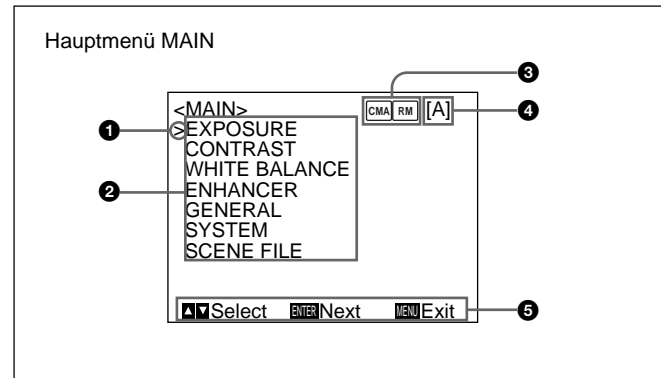
Bevor Sie mit den Menüs arbeiten können, muß der Schalter MENU LOCK ON/OFF an der Rückseite auf OFF gesetzt sein.

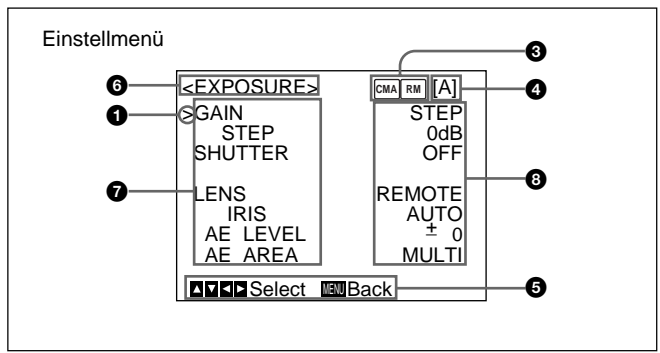
Wollen Sie ein Menü aufrufen, drücken Sie die Taste MENU an der rechten Seite. Das Hauptmenü MAIN erscheint auf dem Bildschirm.

Die Einstellmenüs rufen Sie auf, indem Sie mit der Taste \uparrow oder \downarrow die entsprechende Option wählen und die Taste ENTER drücken.

Die Bildschirmenüs

In diesem Abschnitt finden Sie Informationen zu den Bildschirmmenüs, die Sie zum Arbeiten mit diesen Menüs benötigen.





1 Cursor

Zum Auswählen eines Einstellmenüs oder einer Option. Mit \uparrow oder \downarrow bewegen Sie den Cursor auf oder ab.

2 Optionen auf den Einstellmenüs

Wenn Sie mit \uparrow oder \downarrow eine Hauptmenüoption auswählen und ENTER drücken, erscheint das entsprechende Einstellmenü, und Sie können die gewünschten Optionen festlegen.

3 Anschlußbedingungen

Die Anzeige wechselt je nachdem, was an den Anschluß REMOTE an der Kamera angeschlossen ist.

RM: wenn die Fernsteuereinheit RM-C950 angeschlossen ist.

CMA: wenn der Kameraadapter CMA-D3/D3CE über das Verbindungskabel CCMC-3MZ angeschlossen ist.

CMA **RM**: wenn der Kameraadapter CMA-D3/D3CE über das Verbindungskabel CCMC-3MZ und die Fernsteuereinheit RM-C950 an den Anschluß REMOTE des CMA-D3/D3CE angeschlossen ist.

4 Benutzerdatei

In zwei Benutzerdateien (A und B) können Sie zwei Gruppen von Voreinstellungen speichern. Diese Angabe weist auf die gerade ausgewählte Benutzerdatei hin.

5 Bedienungshinweis

Gibt an, welche Funktionen Sie mit welchen Tasten auf dem angezeigten Menü ausführen können.

6 Einstellmenü

Gibt das gerade ausgewählte Einstellmenü an.

7 Optionen

Dies sind die Optionen, die in den einzelnen Einstellmenüs festgelegt werden können.

Sie wählen eine Option aus, indem Sie den Cursor mit der Taste \uparrow oder \downarrow neben die Option stellen.

8 Eingestellte Werte

Die gerade eingestellten Werte werden angezeigt.

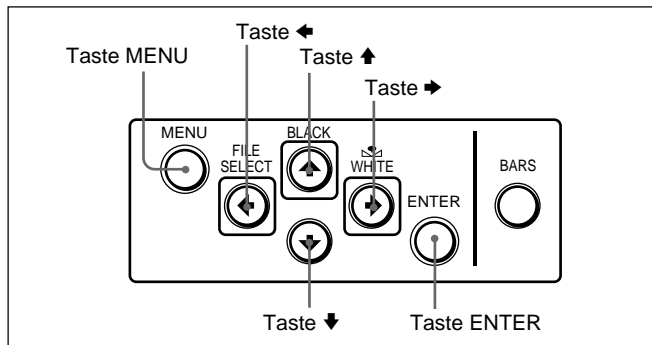
Mit der Taste \leftarrow oder \rightarrow können Sie die Werte ändern.

Einstellen über die Menüs

Arbeiten mit den Menüs

Menütasten

Mit den Tasten an der rechten Seite der Kamera können Sie mit den Menüs arbeiten.

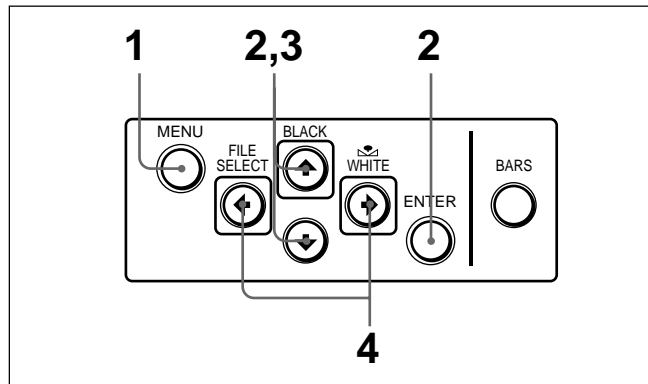


In der folgenden Tabelle sind die Funktionen der Menütasten aufgeführt.

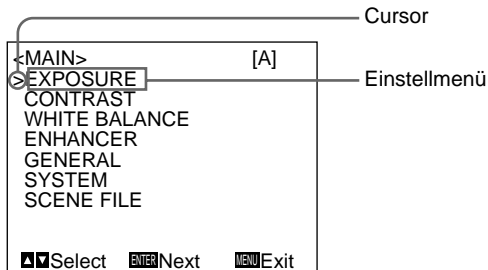
Taste	Funktion
MENU	Ruft das Hauptmenü MAIN auf.
Taste ↑	Bewegt den Cursor nach oben.
Taste ↓	Bewegt den Cursor nach unten.
Taste ←	Ändert die Einstellung/verringert den Wert.
Taste →	Ändert die Einstellung/erhöht den Wert.

Einstellen der Menüoptionen

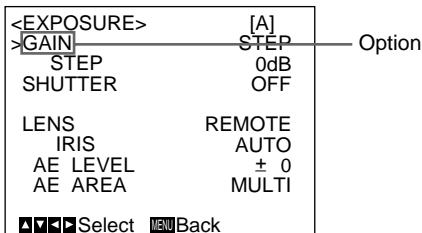
Gehen Sie zum Ändern der Einstellungen in den Menüs wie im folgenden erläutert vor.



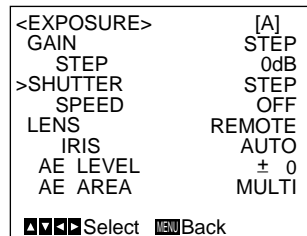
- 1 Drücken Sie die Taste MENU.
Das Hauptmenü MAIN wird angezeigt.



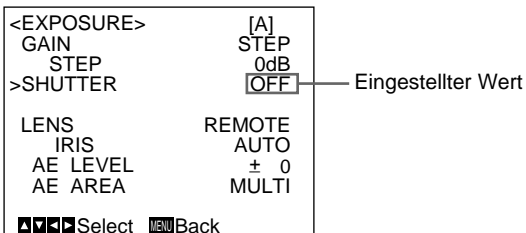
- 2** Stellen Sie den Cursor mit der Taste **↑** oder **↓** auf die Option, die Sie ändern wollen, und drücken Sie dann **ENTER**.
Das Einstellmenü erscheint.



- 4** Mit der Taste **←** oder **→** können Sie jetzt den Wert der Option ändern.
Wenn Sie die Taste gedrückt halten, laufen die Einstellwerte schnell durch.



- 3** Stellen Sie den Cursor mit der Taste **↑** oder **↓** auf die einzustellende Menüoption.



So setzen Sie eine Option auf den ursprünglichen Wert zurück

Wählen Sie die Option aus, die Sie zurücksetzen wollen, und drücken Sie dann gleichzeitig **←** und **→**.

Die ursprünglichen (werkseitig eingestellten) Werte der einzelnen Optionen finden Sie unter "Werkseitige Einstellungen der Menüoptionen" auf Seite 31.

So rufen Sie wieder die normale Anzeige auf

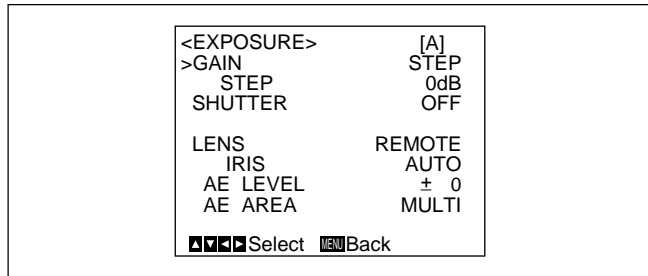
Drücken Sie **MENU**, solange das Hauptmenü **MAIN** angezeigt wird.

Wenn eins der Einstellmenüs angezeigt wird, drücken Sie **MENU**, so daß wieder das Hauptmenü **MAIN** erscheint, und drücken Sie dann nochmals **MENU**, so daß dann wieder die normale Anzeige zu sehen ist.

Menüfunktionen

Menü EXPOSURE

Dieses Menü dient zum Einstellen von Optionen im Zusammenhang mit der Belichtung, zum Beispiel Gain-Wert und Blende.



Einstelloptionen im Menü EXPOSURE

Einstelloption	Funktion	Seite
GAIN	Einstellen des Video-Gain-Werts.	16
STEP	Einstellen des Gain-Werts.	16
SHUTTER	Einstellen der Modi für die elektronische Blende.	16
LENS	Einstellen des Blendenmodus.	18
IRIS	Einstellen der Blende automatisch oder manuell.	19
AE LEVEL	Feineinstellen des Brennpunkts bei der automatischen Belichtungseinstellung.	19
AE AREA	Einstellen des AE-Fensters im AGC- und CCD-IRIS-Modus und im Blendenautomatikmodus.	19

GAIN

Diese Option dient zum Einstellen des Video-Gain-Werts.

Auswahl	Funktion
STEP	Stellen Sie den Video-Gain-Wert auf den gewünschten Pegel ein. Verwenden Sie diese Funktion für Aufnahmen in sehr dunkler Umgebung, in der auch eine vollständig geöffnete Objektivblende kein ausreichend helles Bild ergibt. Der Gain-Wert kann in Schritten von 1 dB auf 0 bis 24 dB eingestellt werden.
AGC	Automatische Gain-Verstärkung. Stellt den Gain-Wert automatisch auf die Helligkeit des Motivs ein, das aufgenommen werden soll. Diese Einstellung ist empfehlenswert, wenn bei wechselnden Lichtverhältnissen aufgenommen werden soll. Sie können einen maximalen Gain-Wert vorgeben, indem Sie unter LIMIT als Wert 6, 12, 18 oder 24 dB einstellen.
HYPER	Erhöht den Video-Gain-Wert auf etwa 30 dB. Diese Einstellung ist empfehlenswert, wenn das Umgebungslicht unzureichend ist.

SHUTTER (elektronische Blende)

Diese Option dient zur Auswahl der elektronischen Blendenmodi.

Mit dieser Funktion erzielen Sie scharfe Bilder auch bei sich schnell bewegenden Objekten und ausreichend helle Standbilder von Objekten auch bei schlechten Lichtverhältnissen.

Auswahl	Funktion
OFF	Die elektronischen Blendenmodi sind außer Funktion.
STEP	<p>Stellt die Verschußzeit im Langzeitbelichtungsmodus auf einen von 15 Werten und im Hochgeschwindigkeitsverschußmodus auf einen von 11 Werten ein.</p> <p>Wählen Sie SPEED, und geben Sie für die Verschußzeit einen der folgenden Werte an: Langzeitbelichtungsmodus: 0,1, 0,2, 0,3, 0,5, 1,0, 1,5, 2,0, 2,5, 3,0, 3,5, 4,0, 5,0, 6,0, 7,0 und 8,0 Sek.</p> <p>Um die Verschußzeit einzustellen, rufen Sie OFF auf, indem Sie ◀ und ▶ gleichzeitig drücken. Wählen Sie dann mit ▶ den gewünschten Wert. Mit jedem Tastendruck wechselt die Verschußzeit in der oben angegebenen Reihenfolge.</p> <p>Hochgeschwindigkeitsmodus: FL (flimmerfrei), 1/125, 1/250, 1/500, 1/1000, 1/2000, 1/4000, 1/10000, 1/20000, 1/40000, 1/100000</p> <p>Um die Verschußzeit einzustellen, rufen Sie OFF auf, indem Sie ◀ und ▶ gleichzeitig drücken. Wählen Sie dann mit ▶ den gewünschten Wert. Mit jedem Tastendruck wechselt die Verschußzeit in der oben angegebenen Reihenfolge. Wenn Sie die Kamera in einer Umgebung mit 50-Hz-Beleuchtung (DXC-390) bzw. mit 60-Hz-Beleuchtung (DXC-390P) einsetzen, ermöglicht die Einstellung FL flimmerfreie Aufnahmen sogar bei fluoreszierendem Licht.</p>

Auswahl	Funktion
VARIABLE	<p>Zur Feineinstellung des Videoausgangspegels im Langzeitbelichtungsmodus (lange Verschußzeit) oder im Clear-Scan-Modus (kurze Verschußzeit).</p> <p>Langzeitbelichtungsmodus Sie können den Wert von SPEED in Schritten von 1 Vollbild einstellen. Wenn der Wert z. B. auf 50 Vollbilder (etwa 1,7 Sekunden) eingestellt ist, wird die Gesamtsumme der in dieser Zeit akkumulierten Videosignale in Form eines Vollbildes ausgegeben. Die einzelnen Bilder folgen dabei in Intervallen von etwa 1,7 Sekunden aufeinander. Diese Bilder, die 50 Vollbilder mit Videoinformationen enthalten, sind viel heller als normale, aus einem Vollbild bestehende Bilder. Dieser Modus eignet sich besonders zum Aufnehmen eines schlecht beleuchteten Motivs in einer dunklen Umgebung.</p> <p>So stellen Sie die Verschußzeit ein 1 Rufen Sie OFF auf, indem Sie ◀ und ▶ gleichzeitig drücken. 2 Wählen Sie mit ▶ den Wert für SPEED aus. Mit jedem Tastendruck wechselt der Wert folgendermaßen in Schritten von je 1 Vollbild.</p> <p>So rechnen Sie den Wert in die Verschußzeit um Beispiel: Wenn der Wert auf 5 Vollbilder gesetzt ist $5 \times 1/30 = 0,1666$ Sekunden (DXC-390) $5 \times 1/25 = 0,2000$ Sekunden (DXC-390P)</p> <p>Hinweise</p> <ul style="list-style-type: none"> • Verwenden Sie im Langzeitbelichtungsmodus nicht die Funktionen AGC, CCD-IRIS, ATW, DCC+ und DYNALATITUDE. • Wenn Sie die Verschußzeit auf 1 Sekunde oder mehr setzen, setzen Sie den Gain-Wert auf 0 dB.

(Fortsetzung)

Einstellen über die Menüs

Auswahl	Funktion
VARIABLE (Fortsetzung)	<p>Clear-Scan-Modus Sie können die Verschlusszeit in Schritten von 1 H (horizontale Abtastzeit: 63,56 µs für DXC-390, 64,00 µs für DXC-390P einstellen.). Wählen Sie SPEED und dann einen Wert zwischen 1/525 H und 262/525 H (DXC-390) oder zwischen 1/625 H und 312/625 H (DXC-390P). Dieser Modus eignet sich für Aufnahmen von Computer-Bildschirmen. Er reduziert die horizontalen Streifen, die bei solchen Aufnahmen normalerweise zu sehen sind.</p> <p>So stellen Sie die Verschlusszeit ein 1 Rufen Sie OFF auf, indem Sie ◀ und ▶ gleichzeitig drücken. 2 Stellen Sie mit ▶ den Wert für SPEED ein, und beobachten Sie dabei die Störungen auf dem Bildschirm. Stellen Sie den Wert so ein, daß die Störungen möglichst gering sind. Mit jedem Tastendruck wechselt der Wert in Schritten von je 1 H.</p> <p>So rechnen Sie den Wert in die Verschlusszeit um Beispiel: Wenn der Wert auf 250 H gesetzt ist DXC-390: $250 \times 63,56 \mu\text{s} (1 \text{ H}) + 34,9 \mu\text{s} (\text{Konstante})$ $= 15924,9 \mu\text{s} = \text{ca. } 0,016 \text{ Sekunden}$ DXC-390P: $250 \times 64,00 \mu\text{s} (1 \text{ H}) + 35,0 \mu\text{s} (\text{Konstante})$ $= 16035,0 \mu\text{s} = \text{ca. } 0,016 \text{ Sekunden}$</p>
CCD-IRIS	<p>Stellt den Luminanzpegel automatisch auf einen optimalen Wert ein. Wenn übermäßig viel Licht in das Objektiv gelangt, reguliert diese Funktion automatisch die Verschlusszeit, um die Belichtung zu reduzieren, und zwar um einen Wert, der bis zu 10 Öffnungsblenden entspricht.</p>

Auswahl	Funktion
CCD-IRIS (Fortsetzung)	<p>Diese Funktion eignet sich zum Beispiel für Mikroskopaufnahmen. Bei Mikroskopaufnahmen ohne Blendenautomatik ist ein Luminanzpegel, den das menschliche Auge als gerade richtig empfindet, für die Videokamera oftmals zu hell. Wenn CCD-IRIS ausgewählt ist, wird das übermäßig einfallende Licht automatisch auf einen für Videokameras geeigneten Wert reduziert. Die CCD-IRIS-Funktion ist auch nützlich zum Verringern von übermäßig einfallendem Licht, das nicht über die Blendenautomatik des Objektivs kompensiert werden kann, z. B. bei Motiven mit sehr hellen Bereichen wie Schnee oder Lichtreflexionen im Wasser. Sie können den höchsten Wert des Variationsbereichs für die Verschlusszeit einstellen. Wählen Sie LIMIT, und stellen Sie als Verschlusszeit dann 1/250, 1/500, 1/1000, 1/2000, 1/4000, 1/10000, 1/20000, 1/40000 oder 1/100000 ein.</p> <p>Hinweis Den CCD-IRIS-Modus können Sie nicht verwenden, wenn Sie mit einem Objektiv arbeiten, das die Blendensteuerung automatisch an das eingehende Videosignal anpaßt.</p>

LENS

Diese Option dient zum Auswählen des Blendenmodus.

Auswahl	Funktion
VIDEO	<p>Wählen Sie diese Einstellung, wenn Sie mit einem Objektiv arbeiten, das die Blendensteuerung automatisch an das eingehende Videosignal anpaßt. Wählen Sie AE LEVEL, und stellen Sie dann den Brennpunkt für die Belichtungsautomatik auf einen Wert zwischen -127 und +127 ein.</p>
REMOTE	<p>Wählen Sie diese Einstellung, wenn Sie mit einem Objektiv arbeiten, das die Blende automatisch je nach zugeführtem Gleichstrom einstellt.</p>

IRIS

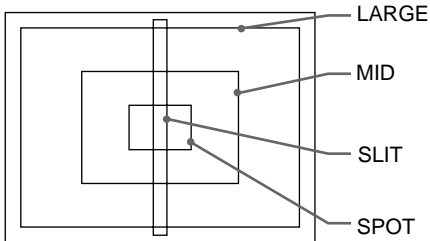
Diese Option wird angezeigt, wenn Sie LENS auf REMOTE setzen.

Sie gibt an, wie die Blende eingestellt werden soll. Sie können zwischen AUTO und MANUAL wählen.

AUTO: Die Blende wird automatisch eingestellt.

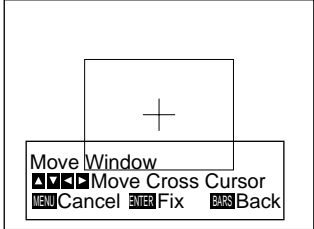
MANUAL: Die Blende kann über den Regler IRIS an der Fernsteuereinheit RM-C950 eingestellt werden.

Auswahl	Funktion
AE LEVEL	Stellt den Brennpunkt für die automatische Belichtung auf einen Wert zwischen -127 und +127 ein.
AE AREA	<p>Stellt das AE-Fenster (Auto Exposure) ein, wenn sich die Kamera im AGC- oder CCD-IRIS-Modus oder im Blendenselbstmodus befindet.</p> <p>MULTI: Teilt den Bildbereich in 9 Teile und stellt die automatische Belichtung auf den Luminanzpegel der einzelnen Teile ein. In der Regel ist die Option auf diese Einstellung gesetzt.</p> <p>LARGE, MID, SPOT und SLIT: Zeigt die folgenden AE-Fenster an und stellt die automatische Belichtung auf den Luminanzpegel der einzelnen Bereiche ein.</p>



Auswahl	Funktion
AE AREA (Fortsetzung)	<p>MANUAL: Legt ein AE-Fenster mit einer bestimmten Größe und Position auf dem Bildschirm fest. Gehen Sie wie im folgenden beschrieben vor.</p> <p>1 Wählen Sie MANUAL, und drücken Sie ENTER.</p> <p>Fadenkreuz-Cursor</p> <p>2 In der oberen linken Ecke erscheint ein Fadenkreuz-Cursor. Bewegen Sie diesen mit ←, →, ↑ oder ↓ an die entsprechenden Stellen, um die obere und die linke Seite festzulegen. Drücken Sie dann ENTER.</p> <p>Fadenkreuz-Cursor</p>

(Fortsetzung)

Auswahl	Funktion
AE AREA (Fortsetzung)	<p>3 In der unteren rechten Ecke erscheint ein Fadenkreuz-Cursor. Bewegen Sie diesen mit \leftarrow, \rightarrow, \uparrow oder \downarrow an die entsprechenden Stellen, um die untere und die rechte Seite festzulegen. Drücken Sie dann ENTER.</p>  <p>4 Bewegen Sie das AE-Fenster mit \leftarrow, \rightarrow, \uparrow oder \downarrow an die gewünschte Stelle, und drücken Sie ENTER.</p> <p>Hinweis Um den Vorgang abzubrechen, bevor Sie etwas festgelegt haben, drücken Sie MENU.</p>
AE SPEED	<p>Legt die Fokussiergeschwindigkeit für die automatische Belichtung im AGC- oder CCD-IRIS-Modus oder im Blendenautomatikmodus fest. Sie haben die Wahl zwischen MID (normal), FAST (schnell) und SLOW (langsam).</p> <p>Hinweis Bildverschiebungen können Sie durch Einstellen von AE SPEED korrigieren.</p>
AE DETECT	<p>Legt die Erkennungsmethode des Luminanzpegels für das ausgewählte AE-Fenster fest.</p> <p>AVERAGE: Der durchschnittliche Luminanzpegel für das gesamte AE-Fenster wird bestimmt.</p> <p>PEAK: Die Stelle mit dem höchsten Luminanzpegel wird bestimmt.</p>

Das Menü CONTRAST

Dieses Menü dient zum Einstellen des Bildkontrasts.

<CONTRAST>	[A]
>EFFECT	MANUAL
KNEE POINT	MID
BLACK STRETCH	\pm 0
GAMMA	ON
LEVEL	\pm 0
MASTER PEDESTAL	\pm 0
R. PEDESTAL	\pm 0
B. PEDESTAL	\pm 0
\leftarrow Select	\rightarrow Back

Einstelloptionen im Menü CONTRAST

Einstelloption	Funktion	Seite
EFFECT	Stellt den Bildkontrast auf den Luminanzpegel des einfallenden Lichts ein.	21
KNEE POINT	Stellt den Kniepunkt ein.	21
BLACK STRETCH	Stellt die Luminanz dunkler Bereiche auf dem Bildschirm ein.	21
GAMMA	Aktiviert die Gammakompensation.	21
LEVEL	Stellt den Gammapegel ein.	21
MASTER PEDESTAL	Stellt den Schwarzwert des Ausgangssignals ein.	21
R./B. PEDESTAL	Nimmt eine Feineinstellung des Ausgangssignalschwarzwerts vor.	22

EFFECT

Diese Option dient zum Auswählen einer Einstellung, die für den Luminanzpegel des einfallenden Lichts geeignet ist.

Auswahl	Funktion
MANUAL	<p>Wählt KNEE POINT oder BLACK STRETCH.</p> <p>KNEE POINT Stellt den Kniepunkt auf den Luminanzpegel des einfallenden Lichts ein. OFF: Es findet keine Kniepunktverarbeitung statt. HIGH: Stellt den Kniepunkt auf den höchsten Pegel ein. MID: Normalerweise sollten Sie diese Einstellung wählen. LOW: Stellt den Kniepunkt auf den niedrigsten Pegel ein.</p> <p>BLACK STRETCH Stellt die Luminanz dunkler Bereiche auf dem Bildschirm ein. Sie können einen Wert zwischen -10 und +10 einstellen. Je höher der Wert, umso heller der Bildschirm.</p>
DCC+	<p>Beim Aufnehmen eines sehr hellen Objekts kann der gesamte Bildschirm weiß werden, oder in einem Teil des Bildes verschwinden die Farben. Bei dieser Einstellung ist dieses Phänomen minimiert.</p>
DYNA-LATITUDE	<p>Stellt den Kontrast je nach Luminanzpegel der einzelnen Bildelemente ein. Die Einstellung ist besonders geeignet für Aufnahmen mit einer Mischung heller und dunkler Bereiche. Sie können den Pegel auf einen Wert zwischen -10 und +10 einstellen.</p>

GAMMA

Diese Option aktiviert die Gammakompensation.

Auswahl	Funktion
OFF	<p>Gibt das Videosignal linear ohne Gammakompensation aus. Verwenden Sie diese Einstellung, wenn Sie Bilder zur Bildverarbeitung oder Bildanalyse erzeugen.</p>
ON	<p>Kompensiert die Bildwiedergabemerkmale eines Monitors mit Kathodenstrahlröhre und erzeugt auf diese Weise Bilder mit naturgetreuen Farbtönen. Wählen Sie LEVEL, und stellen Sie den Wert so ein, daß die Farbtöne naturgetreu wirken. Sie können einen Wert zwischen -10 und +10 einstellen.</p>

MASTER PEDESTAL

Die Schwarzwertpegel der R-, G-, B-Ausgangssignale können gleichzeitig eingestellt werden.

Mit dieser Option wird der Schwarzwert der schwarzen Bildbereiche eingestellt. Mit dieser Funktion können Sie auch in stark abgeschatteten Bereichen detailscharf aufnehmen. Sie können einen Wert zwischen -127 und +127 einstellen. In der Regel ist ± 0 eingestellt.
Wenn Sie mit einem Prüfsignal-Monitor arbeiten, läßt sich die Einstellung leichter vornehmen.

(Fortsetzung)

Einstellen über die Menüs



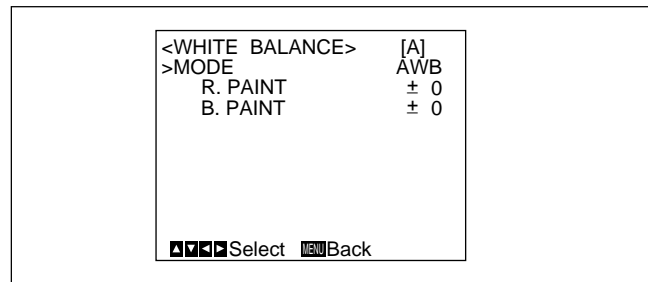
Einstell- richtung	Wirkung
+	Der gesamte Bildschirm wird heller.
-	Der gesamte Bildschirm wird dunkler.

R. PEDESTAL (rot), B. PEDESTAL (blau)

Mit diesen Optionen können Sie den Schwarzwert der einzelnen Farben feineinstellen. Beobachten Sie die Wirkung beim Einstellen auf dem Monitorbildschirm. Die Schwarzwerte lassen sich auf einen Wert zwischen -127 und +127 feineinstellen.

Menü WHITE BALANCE

Auf diesem Menü können Sie den Weißabgleich vornehmen.



Einstelloptionen im Menü WHITE BALANCE

Einstelloption	Funktion	Seite
MODE	Wählt den Modus für die Einstellung des Weißwerts aus.	23
R./B. PAINT	Nimmt eine Feineinstellung des Weißwerts vor (AWB, ATW).	23

MODE

Mit dieser Option wählen Sie den Modus für die Einstellung des Weißwerts aus.

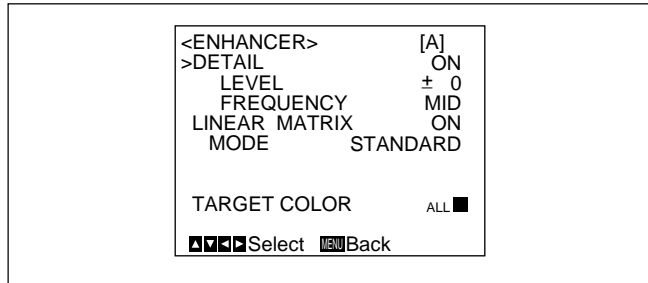
Auswahl	Funktion
AWB	<p>Stellt den Weißwert automatisch ein (automatischer Weißabgleich).</p> <p>Wenn Sie diese Option auswählen, werden R. PAINT und B. PAINT angezeigt. Mit diesen Optionen können Sie die Feineinstellung vornehmen. Beobachten Sie die Wirkung beim Einstellen auf dem Monitorbildschirm.</p> <p>R. PAINT: Stellt den Wert für die Rotkomponente auf -100 bis +100 ein.</p> <p>B. PAINT: Stellt den Wert für die Blaukomponente auf -100 bis +100 ein.</p> <p><i>Näheres dazu finden Sie unter "Einstellen des Weißwerts (Weißabgleich)" auf Seite 39.</i></p>
ATW NORMAL oder ATW WIDE	<p>Aktiviert die automatische Anpassung des Weißwerts. Diesen Modus sollten Sie wählen, wenn sich die Lichtverhältnisse ändern. Der Weißwert wird automatisch angepaßt, wenn die Farbtemperatur wechselt.</p> <p>Normalerweise sollte ATW NORMAL eingestellt sein. Bei ATW WIDE kann sich die Kamera auf stärkere Farbtemperaturschwankungen einstellen.</p> <p>Wenn Sie diese Optionen auswählen, werden R. PAINT, B. PAINT, AREA und SPEED angezeigt. Mit diesen Optionen wiederum können Sie die Feineinstellung vornehmen. Beobachten Sie die Wirkung beim Einstellen auf dem Monitorbildschirm. Die Einstellwerte werden im Gerät gespeichert (nicht dagegen die AWB-Werte).</p> <p>R. PAINT: Stellt den Wert für die Rotkomponente auf -10 bis +10 ein.</p> <p>B. PAINT: Stellt den Wert für die Blaukomponente auf -10 bis +10 ein.</p>

Auswahl	Funktion
ATW NORMAL oder ATW WIDE (Fortsetzung)	<p>AREA: Ein Fenster erscheint auf dem Monitorbildschirm. Normalerweise sollten Sie NORMAL einstellen, so daß der durchschnittliche Luminanzpegel des gesamten Bildschirms gemessen wird. Wenn Sie ein bestimmtes Fenster anzeigen lassen wollen, wählen Sie MANUAL und gehen wie im folgenden beschrieben vor.</p> <ol style="list-style-type: none"> Drücken Sie die Taste ENTER. In der oberen linken Ecke erscheint ein Fadenkreuz-Cursor. Bewegen Sie diesen mit ◀, ▶, ▲ oder ▼ an die entsprechenden Stellen, um die obere und die linke Seite festzulegen. Drücken Sie dann ENTER. In der unteren rechten Ecke erscheint ein Fadenkreuz-Cursor. Bewegen Sie diesen mit ◀, ▶, ▲ oder ▼ an die entsprechenden Stellen, um die untere und die rechte Seite festzulegen. Drücken Sie dann ENTER. Bewegen Sie das Fenster mit ◀, ▶, ▲ oder ▼ an die gewünschte Stelle, und drücken Sie ENTER. <p>SPEED: Legt die Fokussiergeschwindigkeit fest. Sie haben die Wahl zwischen SLOW (langsam), MID (normal) und FAST (schnell).</p>
MANUAL	<p>Zum manuellen Weißabgleich.</p> <p>Wenn Sie diese Option auswählen, werden R. GAIN und B. GAIN angezeigt. Beobachten Sie die Wirkung beim Einstellen auf dem Monitorbildschirm.</p> <p>R. GAIN: Stellt den Gain-Wert für die Rotkomponente auf -127 bis +127 ein.</p> <p>B. GAIN: Stellt den Gain-Wert für die Blaukomponente auf -127 bis +127 ein.</p>
3200K	Für Innenaufnahmen. Farbtemperatur: 3200 K
5600K	Für Außenaufnahmen. Farbtemperatur: 5600 K

Einstellen über die Menüs

Menü ENHANCER

Dieses Menü dient zum Einstellen der Konturschärfe im Bild und der Farbtöne.



Einstelloptionen im Menü ENHANCER

Einstelloption	Funktion	Seite
DETAIL	Aktiviert oder deaktiviert die Funktion zum Einstellen der Konturschärfe.	24
LEVEL	Stellt die Konturschärfe ein.	24
FREQUENCY	Stellt die Konturschärfe für sehr detailreiche Bilder ein.	24
LINEAR MATRIX	Aktiviert oder deaktiviert die Verarbeitung einer Farbmatrix.	25
MODE	Nimmt eine Feineinstellung der Farbtöne vor.	25
TARGET COLOR	Legt die Farben für die Einstelloptionen DETAIL oder LINEAR MATRIX fest.	25

DETAIL

Diese Option dient zum Aktivieren und Deaktivieren der Konturschärfeneinstellung eines Bildes.

Auswahl	Funktion
ON	Aktiviert die Funktion zur Konturschärfeneinstellung eines Bildes.
OFF	Deaktiviert die Funktion zur Konturschärfeneinstellung eines Bildes.

Wenn Sie DETAIL auf ON setzen, werden LEVEL und FREQUENCY angezeigt.

Mit dieser Option können Sie die Schärfe der Bildkonturen auf die Art der Aufnahme bzw. Ihren Wünschen gemäß einstellen.

Auswahl	Funktion
LEVEL	Stellt den Pegel auf einen Wert zwischen -127 und +127 ein. Bei einem niedrigeren Pegel verringert sich die Schärfe der Bildkonturen, und das Bild wirkt weicher. Bei einem höheren Pegel erhöht sich die Schärfe der Bildkonturen, und das Bild wirkt schärfer.
FREQUENCY	Gibt den Frequenzpegel an, mit dem die Bildkonturen eingestellt werden: LOW (niedrig), MID (mittel) oder HIGH (hoch). Je höher der Pegel, desto schärfer wirken die Konturen bei sehr detailreichen Bildern.

LINEAR MATRIX

Diese Option dient zum Verarbeiten eines Bildes mit einer Farbmatrix. Dadurch können Farbsättigung und Farbton verändert werden, so daß sich Bilder in naturgetreuen Farben erzeugen lassen.

Auswahl	Funktion
ON	Korrigiert die Farben, um eine naturgetreue Farbwirkung zu erzielen.
OFF	Es erfolgt keine Farbkorrektur. Verwenden Sie diese Einstellung, wenn Sie das Bild weiterverarbeiten wollen.

Wenn Sie LINEAR MATRIX auf ON setzen, wird MODE angezeigt. Damit können Sie die Farben auf das aufgenommene Motiv einstellen.

Wenn Sie MODE auf MANUAL setzen, werden R. PAINT, G. PAINT und B. PAINT angezeigt.

Auswahl	Funktion
STANDARD	Wählen Sie normalerweise diese Einstellung.
R ENHANCE	Die Rotkomponente wird verstärkt.
B ENHANCE	Die Blaukomponente wird verstärkt.
G ENHANCE	Die Grünkomponente wird verstärkt.
MANUAL	Nimmt eine Feineinstellung der einzelnen Farben vor. R. PAINT: Stellt den Wert für die Rotkomponente auf -30 bis +30 ein. G. PAINT: Stellt den Wert für die Grünkomponente auf -30 bis +30 ein. B. PAINT: Stellt den Wert für die Blaukomponente auf -30 bis +30 ein.

TARGET COLOR

Diese Option legt fest, wann DETAIL oder LINEAR MATRIX für eine bestimmte Farbe eingestellt werden soll.

Auswahl	Funktion
ALL	Stellt DETAIL oder LINEAR MATRIX für das gesamte Bild ein. In der Regel sollten Sie diese Einstellung wählen.
IN	Stellt DETAIL oder LINEAR MATRIX für eine bestimmte Farbe ein. Mit RANGE können Sie den Bereich auf einen Wert zwischen -10 und +10 einstellen.
OUT	Stellt DETAIL oder LINEAR MATRIX für alle Farben mit Ausnahme einer bestimmten Farbe ein. Mit RANGE können Sie den Bereich auf einen Wert zwischen -10 und +10 einstellen.

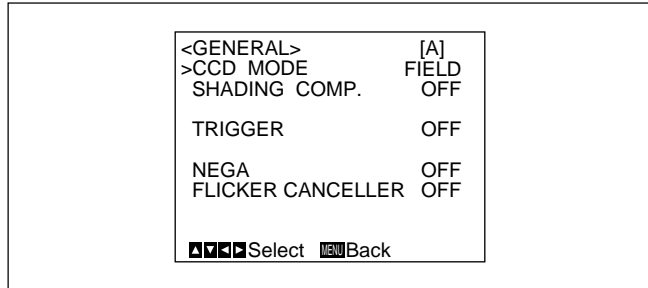
So geben Sie eine Farbe an

- 1 Wählen Sie IN oder OUT, und drücken Sie ENTER.
- 2 In der Bildschirmmitte erscheint ein Fadenkreuzcursor (⊕). Stellen Sie diesen mit **←**, **→**, **↑** oder **↓** so auf die gewünschte Farbe, daß das Quadrat des Fadenkreuzcursor die Farbe bedeckt, und drücken Sie dann ENTER.
 Wenn Sie IN wählen, können Sie die Farbe, die der Fadenkreuzcursor (⊕) angibt, einstellen.
 Wenn Sie OUT wählen, können Sie alle Farben außer der Farbe, die der Fadenkreuzcursor angibt, einstellen.

Einstellen über die Menüs

Menü GENERAL

Auf diesem Menü können Sie allgemeine Einstellungen vornehmen.



Einstelloptionen im Menü GENERAL

Einstelloption	Funktion	Seite
CCD MODE	Wählt den CCD-Auslesemodus.	26
SHADING COMP.	Eliminiert Farbe im oberen und unteren Bildschirmbereich.	26
TRIGGER	Stellt die Polarität ein, wenn ein untergeordnetes Gerät angeschlossen und per Stroboskop synchronisiert werden soll.	27
NEGA	Kehrt das ausgegebene Bild in ein Negativ um.	27
FLICKER CANCELLER	Reduziert das Bildflimmern, wenn SHUTTER auf CCD IRIS oder OFF gesetzt ist.	27

CCD MODE

Dieses Menü dient zur Auswahl des CCD-Auslesemodus.

Auswahl	Funktion
FIELD	Akkumuliert Ladungen in Halbbildeinheiten. Eignet sich zum Aufnehmen bewegter Objekte.
FRAME	Akkumuliert Ladungen in Vollbildeinheiten. Erzeugt im Bild die höchstmögliche vertikale Auflösung. Eignet sich zum Aufnehmen unbewegter Objekte.

SHADING COMP. (Schattierungskompensation)

Mit dieser Menüoption lassen sich grüne oder magentafarbene Töne eliminieren, die im oberen und unteren Bildschirmbereich auftreten können, wenn die Kamera in Kombination mit einem optischen Instrument eingesetzt wird.

Auswahl	Funktion
OFF	Es erfolgt keine Farbeliminierung.
ON	Wenn die Kamera an ein Mikroskop usw. angeschlossen ist und grüne oder magentafarbene Töne im oberen und unteren Bildschirmbereich auftreten, wählen Sie diese Einstellung.

Wenn Sie SHADING COMP. auf ON setzen, wird LEVEL angezeigt. Beobachten Sie beim Einstellen die Wirkung am Bildschirm, bis die Farbe eliminiert ist. Sie können einen Wert zwischen -127 und +127 einstellen.

Einstellrichtung	Wirkung
+	Grün im oberen und Magenta im unteren Bildschirmbereich werden eliminiert.
-	Magenta im oberen und Grün im unteren Bildschirmbereich werden eliminiert.

TRIGGER

Stellen Sie diese Option ein, wenn Sie ein untergeordnetes Gerät an den Anschluß TRIG IN angeschlossen haben und die Kamera mit einem Stroboskop synchronisieren.

Auswahl	Funktion
OFF	Wählen Sie diese Einstellung, wenn Sie kein untergeordnetes Gerät anschließen.
ON	Wählen Sie diese Einstellung, wenn Sie ein untergeordnetes Gerät anschließen. Wählen Sie POLARITY, und stellen Sie die gleiche Polarität wie beim eingespeisten Impulssignal ein. ⌋: Abfallend ⌋: Ansteigend

NEGA

Mit dieser Option kann das ausgegebene Bild zwischen Negativ und Positiv umgeschaltet werden.

Auswahl	Funktion
OFF	Gibt das Bild normal aus.
ON	Gibt das Bild umgekehrt (negativ/positiv) aus.

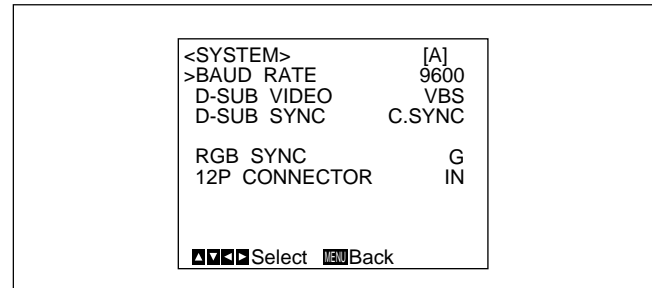
FLICKER CANCELLER

Wenn Sie die Kamera in einer Umgebung mit 50-Hz-Beleuchtung (DXC-390) bzw. mit 60-Hz-Beleuchtung (DXC-390P) einsetzen, können Sie auch bei Leuchtstoffröhrenbeleuchtung das Bildflimmern reduzieren, selbst wenn SHUTTER auf CCD IRIS oder OFF gesetzt ist. Setzen Sie diese Option auf OFF, wenn Sie NEGA auf ON setzen wollen.

Auswahl	Funktion
OFF	Deaktiviert die Funktion FLICKER CANCELLER.
ON	Reduziert das Bildflimmern.

Menü SYSTEM

Auf diesem Menü stellen Sie die Optionen im Zusammenhang mit dem Kamerasystem und den ausgegebenen Signalen ein.



Einstelloptionen im Menü SYSTEM

Einstelloption	Funktion	Seite
BAUD RATE	Wählt die Baudrate aus.	28
D-SUB VIDEO	Schaltet das Videosignal um, das am Anschluß → RGB/SYNC (D-Sub, 9polig) ausgegeben wird.	28
D-SUB SYNC	Schaltet das Synchronisationssignal um, das am Anschluß → RGB/SYNC (D-Sub, 9polig) ausgegeben wird.	28
RGB SYNC	Fügt ein Synchronisationssignal zum Signal am RGB-Ausgang hinzu.	29
12P CONNECTOR	Schaltet den Anschluß DC IN/VBS zwischen Eingang und Ausgang um und wählt das ausgegebene Signal.	29

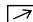
(Fortsetzung)

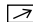
Einstellen über die Menüs

Einstelloption	Funktion	Seite
(VBS lock) H. PHASE* SC. PHASE ROUGH* SC. PHASE FINE*	Stellt bei der externen Synchronisation die Horizontalphase und die SC-Phase (Hilfsträgerphase) ein (VBS-Signal wird eingespeist).	29
(HD/VD lock) H. PHASE*	Stellt bei der externen Synchronisation die Horizontalphase ein (HD/VD-Signal wird eingespeist).	29

* Wird nur angezeigt, wenn ein externes Synchronisationssignal eingespeist wird.

BAUD RATE


Mit dieser Option wird die Baudrate des Anschlusses REMOTE  an der Rückseite umgeschaltet. Sie können 19200, 9600, 4800, 2400 oder 1200 Baud einstellen.

Wenn die Fernsteuereinheit RM-C950 an den Anschluß REMOTE  angeschlossen ist, sollten Sie 9600 einstellen.

Hinweis

Wenn der Kameraadapter CMA-D3/C3CE mit dem Verbindungskabel CCMC-3MZ an die Kamera angeschlossen ist, erscheint "CMA-D3", und Sie können die Baudrate nicht auswählen.

D-SUB VIDEO


Mit dieser Option wird das Videosignal umgeschaltet, das am Anschluß  → RGB/SYNC (D-Sub, 9polig) an der Rückseite ausgegeben wird.

Auswahl	Funktion
VBS	Gibt VBS-Signale aus.
Y/C	Gibt Y/C-Signale aus.

Hinweis

Wenn der Kameraadapter CMA-D3/C3CE mit dem Verbindungskabel CCMC-3MZ an die Kamera angeschlossen ist, steht diese Funktion nicht zur Verfügung.

D-SUB SYNC


Mit dieser Option wird das Synchronisationssignal umgeschaltet, das am Anschluß  → RGB/SYNC (D-Sub, 9polig) an der Rückseite ausgegeben wird.

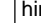
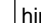
Auswahl	Funktion
C.SYNC	Gibt ein zusammengesetztes Synchronisationssignal aus.
WEN	Gibt ein WEN-Signal aus. Wenn ein Peripheriegerät angeschlossen ist, dient das Signal als Auslöse-Impuls, der an das Gerät ausgegeben wird. Stellen Sie die Polarität des WEN-Signals mit der Option POLARITY ein. ⌋: Negativ ⌋: Positiv

Hinweis



Wenn der Kameraadapter CMA-D3/C3CE mit dem Verbindungskabel CCMC-3MZ an die Kamera angeschlossen ist, gilt immer die Einstellung WEN.

RGB SYNC

Diese Option fügt ein Synchronisationssignal zum Grünsignal oder zu den R/G/B-Signalen hinzu, die am Anschluß  → RGB/SYNC ausgegeben werden.

Auswahl	Funktion
OFF	Fügt kein Synchronisationssignal zum Ausgangssignal hinzu.
G	Fügt ein Synchronisationssignal zum Grünsignal hinzu, das am Anschluß  → RGB/SYNC ausgegeben wird.
RGB	Fügt Synchronisationssignale zu den R/G/B-Signalen hinzu, die am Anschluß  → RGB/SYNC ausgegeben werden.

12P CONNECTOR

Diese Option schaltet den Anschluß  DC IN/VBS  (12polig) zwischen Eingang und Ausgang um. Wenn Sie OUT wählen, stellen Sie auch das Ausgangssignal ein, das an diesem Anschluß ausgegeben wird.

Auswahl	Funktion
IN	Anschluß fungiert als Eingang.
OUT	Anschluß fungiert als Ausgang. Stellen Sie mit SIGNAL das Ausgangssignal ein. HD/VD: Gibt ein HD/VD-Signal aus. C. SYNC: Gibt ein zusammengesetztes Synchronisationssignal aus.

Hinweis

Wenn der Kameraadapter CMA-D3/C3CE mit dem Verbindungskabel CCMC-3MZ an die Kamera angeschlossen ist, können Sie diese Einstellung nicht

vornehmen. Sie können jedoch mit dem Schalter IN/OUT am Kameraadapter CMA-D3D/3CE zwischen Eingang und Ausgang wechseln.

Näheres dazu schlagen Sie bitte in der Bedienungsanleitung zum CMA-D3/D3CE nach.

VBS lock

Diese Option wird nur angezeigt, wenn ein externes Synchronisationssignal (VBS-Signal) als Referenz eingespeist wird. Sie dient zum Einstellen der Horizontalphase und der SC-Phase (Hilfsträgerphase), um die Kamera mit dem Referenzsignal zu synchronisieren.

Auswahl	Funktion
H.PHASE	Stellt die Horizontalphase auf einen Wert zwischen -20 und +127 ein.
SC.PHASE ROUGH	Nimmt eine Grobeinstellung der Hilfsträgerphase vor (0° oder 180°).
SC.PHASE FINE	Nimmt eine Feineinstellung der Hilfsträgerphase vor (-127 bis +127).

HD/VD lock

Diese Option wird nur angezeigt, wenn ein externes Synchronisationssignal (HD/VD-Signal) als Referenz eingespeist wird. Sie dient zum Einstellen der Horizontalphase, um die Kamera mit dem Referenzsignal zu synchronisieren.

Wählen Sie H.PHASE, und stellen Sie dann einen Wert zwischen -20 und +127 ein.

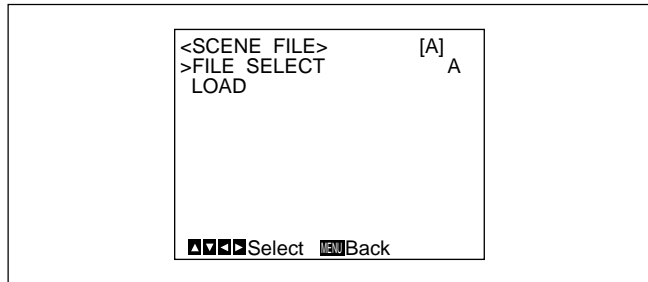
Einstellen über die Menüs

Kapitel 2

Menü SCENE FILE

In diesem Menü können Sie die gewünschte Voreinstellung auswählen.

Die Kamera verfügt über zwei Speicherdateien (A oder B), in denen Menüeinstellungen gespeichert werden können. In jeder der beiden Dateien können Sie unterschiedliche Voreinstellungen speichern und dann die Datei auswählen, die für eine bestimmte Aufnahmesituation am besten geeignet ist. Die gerade ausgewählte Speicherdatei wird in der oberen rechten Ecke des Menüs angezeigt.



Einstelloptionen im Menü SCENE FILE

Einstelloption	Funktion	Seite
FILE SELECT	Wählt die Datei aus, in der die Einstellungen gespeichert werden sollen.	30
LOAD	Wählt die Art der Einstellung aus, die gespeichert werden soll, und liest diese ein.	30

FILE SELECT

Mit dieser Option wählen Sie Datei A oder B aus.

LOAD

Diese Option legt die Einstellung fest, die in der Datei gespeichert werden soll, die Sie mit FILE SELECT wählen, und speichert diese Einstellung.

Auswahl	Art der Einstellung
STANDARD	Geeignet für eine fest montierte Kamera.
MICROSCOPE	Geeignet für eine Kamera in Kombination mit einem Mikroskop.
FULL AUTO	Nimmt die Einstellungen automatisch vor.
STROBE	Geeignet für Stroboskopaufnahmen.
FILE B (oder A)	Dient zum Kopieren von Einstellungen zwischen den beiden Dateien.

Speichern der Einstellung

- 1 Wählen Sie Datei A oder B (FILE SELECT), je nachdem, in welcher Datei die Einstellung gespeichert werden soll.
- 2 Wählen Sie mit **↑** oder **↓** die Option LOAD aus.
- 3 Wählen Sie mit **←** oder **→** die zu speichernde Einstellung aus, und drücken Sie ENTER. "Overwrite OK?" wird angezeigt.
- 4 Drücken Sie die Taste ENTER. Wenn Sie die Einstellung nicht speichern wollen, drücken Sie MENU.

Werkseitige Einstellungen der Menüoptionen

Wenn Sie die Optionen und Werte auf ihre werkseitigen Einstellungen zurücksetzen wollen, drücken Sie gleichzeitig **←** und **→**.

Einstellmenü	Einstelloption	Werkseitige Einstellung
EXPOSURE	GAIN	STEP
	STEP	0 dB
	SHUTTER	OFF
	STEP	OFF
	LENS	REMOTE
	IRIS	MANUAL
CONTRAST	AE LEVEL	± 0
	AE AREA	MULTI
	EFFECT	MANUAL
	KNEE POINT	MID
	BLACK STRETCH	± 0
	GAMMA	ON
	LEVEL	± 0
	MASTER PEDESTAL	± 0
	R. PEDESTAL	± 0
B. PEDESTAL	± 0	

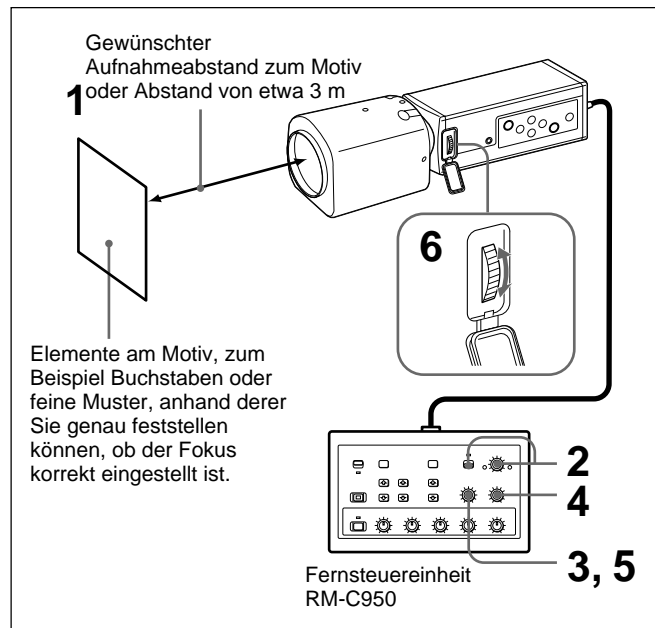
Einstellmenü	Einstelloption	Werkseitige Einstellung
WHITE BALANCE	MODE	AWB
	R. PAINT	± 0
	B. PAINT	± 0
ENHANCER	DETAIL	ON
	LEVEL	± 0
	FREQUENCY	MID
	LINEAR MATRIX	ON
GENERAL	MODE	STANDARD
	TARGET COLOR	ALL
	CCD MODE	FIELD
	SHADING COMP.	OFF
	TRIGGER	OFF
SYSTEM	NEGA	OFF
	FLICKER CANCELLER	OFF
	BAUD RATE	9600
	D-SUB VIDEO	VBS
	D-SUB SYNC	C.SYNC
	RGB SYNC	G
H. PHASE*	12P CONNECTOR	IN
	H. PHASE*	± 0
	SC PHASE ROUGH*	0°
	SC PHASE FINE*	± 0

* Wird nur angezeigt, wenn ein externes Synchronisationssignal eingespeist wird.

Einstellen des Auflagemaßes

Im folgenden wird erläutert, wie Sie das Auflagemaß (Abstand zwischen der Objektivmontageebene und dem Motiv) einstellen können. Das Einstellverfahren hängt vom verwendeten Objektiv ab.

Beim Zoom-Objektiv VCL-610WEA



Es folgt ein Beispiel für das Einstellen des Auflagemaßes mit der Fernsteuereinheit RM-C950. Stellen Sie es mit dem Einstellring FLANGE BACK an der Kamera ein.

Hinweis

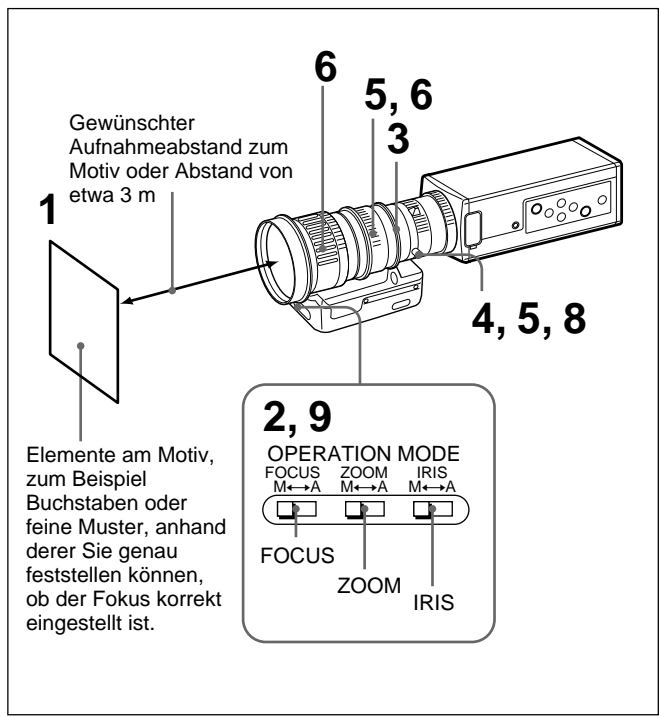
Achten Sie darauf, die Blende ganz zu öffnen, bevor Sie das Auflagemaß einstellen.

- 1 Richten Sie die Kamera auf ein Motiv im gewünschten Aufnahmeabstand oder in einer Entfernung von etwa 3 m.
- 2 Stellen Sie den Knopf IRIS AUTO/MANUAL auf MANUAL, und drehen Sie dann den Knopf IRIS bis zum Anschlag in Richtung OPEN.
- 3 Drehen Sie den Knopf ZOOM bis zum Anschlag in Richtung TELE (Telebereich).
- 4 Stellen Sie die Brennweite auf das in Schritt 1 verwendete Motiv ein, indem Sie den Knopf FOCUS drehen.
- 5 Drehen Sie den Knopf ZOOM bis zum Anschlag in Richtung WIDE (Weitwinkelbereich).
- 6 Stellen Sie die Brennweite auf das in Schritt 1 verwendete Motiv ein, indem Sie den Einstellring FLANGE BACK an der Kamera für das Auflagemaß drehen.
- 7 Wiederholen Sie Schritt 3 bis 6, bis die Brennweite im Tele- und im Weitwinkelbereich korrekt eingestellt ist.

Damit ist die Einstellung des Auflagemaßes abgeschlossen. Sie brauchen das Auflagemaß erst dann wieder einzustellen, wenn Sie ein anderes Objektiv anbringen.

Beim Zoom-Objektiv VCL-614WEA

Bei diesem Objektiv müssen Sie den Einstellring FLANGE BACK an der Kamera für das Auflagemaß nicht verstellen.



Hinweis

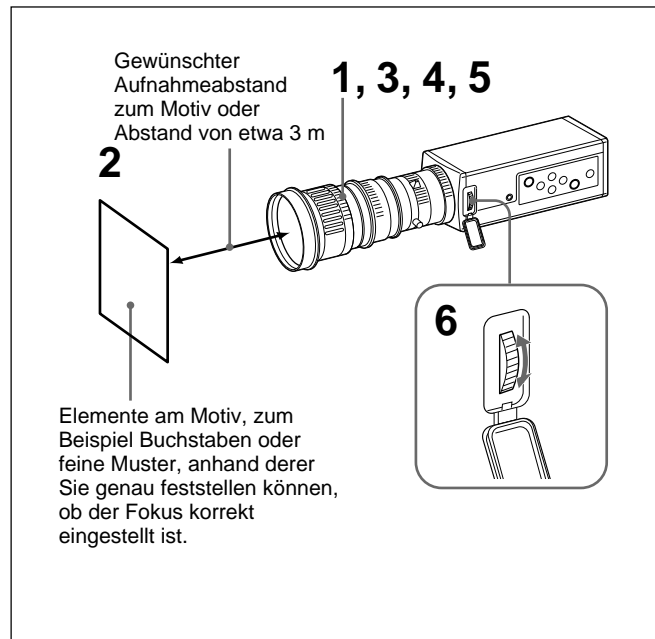
Achten Sie darauf, die Blende ganz zu öffnen, bevor Sie das Auflagemaß einstellen.

- 1 Richten Sie die Kamera auf ein Motiv im gewünschten Aufnahmeabstand oder in einer Entfernung von etwa 3 m.
- 2 Stellen Sie die Schalter FOCUS, ZOOM und IRIS M/A am Objektiv mit einem spitzen Gegenstand auf M (manuell).
- 3 Drehen Sie den Blendenring auf 1.4 (offen).
- 4 Drehen Sie die Schraube zum Feststellen des Einstellrings für das Auflagemaß gegen den Uhrzeigersinn, um den Einstellring zu lockern.
- 5 Drehen Sie den Ring ZOOM im Uhrzeigersinn, bis 5.5 (Weitwinkel) an der weißen Linie ausgerichtet ist, und drehen Sie dann den Auflagemaßeinstellung (halten Sie dazu die Feststellschraube), um das in Schritt 1 verwendete Motiv scharf einzustellen.
- 6 Drehen Sie den Ring ZOOM gegen den Uhrzeigersinn, bis 77 (Telebereich) an der weißen Linie ausgerichtet ist, und stellen Sie dann das Motiv scharf ein.
- 7 Wiederholen Sie Schritt 5 und 6, bis die Brennweite im Tele- und im Weitwinkelbereich korrekt eingestellt ist.
- 8 Drehen Sie die Schraube zum Feststellen des Einstellrings für das Auflagemaß im Uhrzeigersinn, um den Einstellring zu arretieren.
- 9 Stellen Sie die Schalter FOCUS, ZOOM und IRIS M/A am Objektiv auf A (automatisch).

Damit ist die Einstellung des Auflagemaßes abgeschlossen. Sie brauchen das Auflagemaß erst dann wieder einzustellen, wenn Sie ein anderes Objektiv anbringen.

Wenn Sie ein Zoom-Objektiv verwenden, bei dem das Auflagemaß nicht eingestellt werden kann

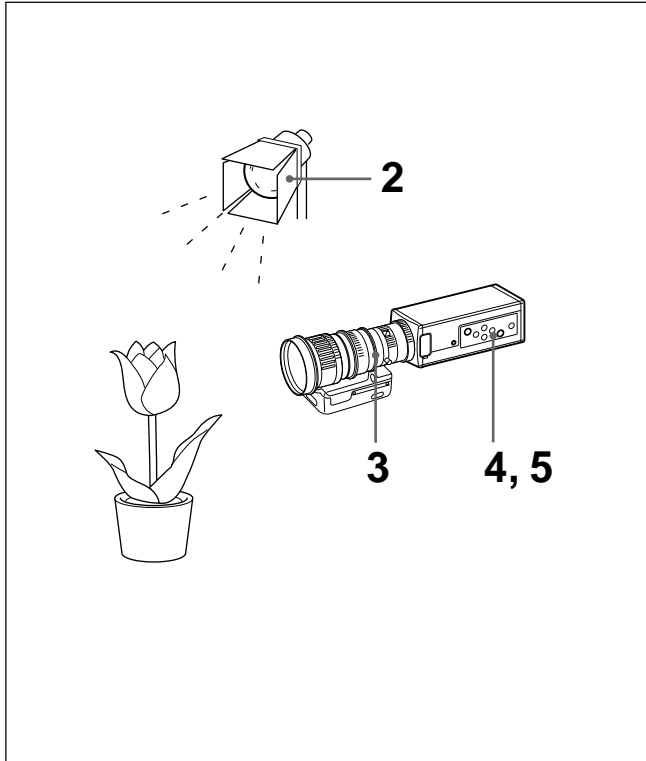
Stellen Sie das Auflagemaß mit dem Einstelling FLANGE BACK für das Auflagemaß an der Kamera ein.



- 1 Öffnen Sie die Blende ganz, wenn das Objektiv mit einem Blendenring ausgestattet ist. Beleuchten Sie bei einer automatischen Blende das Motiv so, daß sich die Blende öffnet.
- 2 Richten Sie die Kamera auf ein Motiv im gewünschten Aufnahmeabstand oder in einer Entfernung von etwa 3 m.
- 3 Drehen Sie den Zoom-Ring bis zum Anschlag in Richtung TELE (Telebereich).
- 4 Stellen Sie die Brennweite auf das in Schritt 2 verwendete Motiv ein, indem Sie den Fokussiering am Objektiv drehen.
- 5 Drehen Sie den Zoom-Ring bis zum Anschlag in Richtung WIDE (Weitwinkelbereich).
- 6 Stellen Sie die Brennweite auf das in Schritt 2 verwendete Motiv ein, indem Sie den Einstelling FLANGE BACK für das Auflagemaß an der Kamera drehen. Drehen Sie beim Einstellen nicht den Fokussiering am Objektiv.
- 7 Wiederholen Sie Schritt 3 bis 6, bis die Brennweite im Tele- und im Weitwinkelbereich korrekt eingestellt ist.

Damit ist die Einstellung des Auflagemaßes abgeschlossen. Sie brauchen das Auflagemaß erst dann wieder einzustellen, wenn Sie ein anderes Objektiv anbringen.

Grundlegendes Aufnahmeverfahren



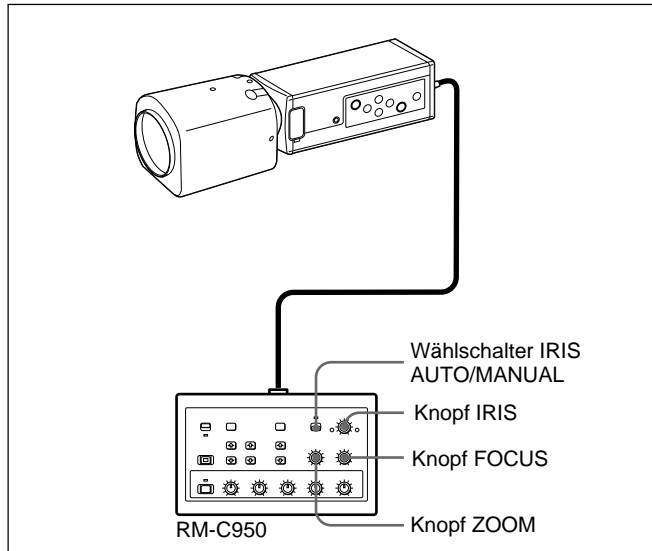
- 1** Schalten Sie die Kamera und alle angeschlossenen Geräte ein.
- 2** Beleuchten Sie das Objekt ausreichend.
- 3** Richten Sie die Kamera auf das Motiv, und stellen Sie Blende, Brennpunkt und Zoom ein.
Erläuterungen dazu finden Sie unter "Einstellen von Blende, Brennpunkt und Zoom" auf Seite 36 bis 37.
- 4** Nehmen Sie den Weißabgleich vor.
Näheres dazu finden Sie unter "Einstellen des Weißwerts (Weißabgleich)" auf Seite 39.
- 5** Stellen Sie die Menüoptionen nach Bedarf ein.
Erläuterungen dazu finden Sie unter "Einstellen über die Menüs" auf Seite 12.
- 6** Beginnen Sie mit der Aufnahme.

Einstellen von Blende, Brennpunkt und Zoom

Im folgenden finden Sie ein Beispiel für das Einstellen von Blende, Brennpunkt und Zoom mit der Fernsteuereinheit RM-C950.

Näheres dazu schlagen Sie bitte in der mit der RM-C950 gelieferten Bedienungsanleitung nach.

Beim Zoom-Objektiv VCL-610WEA



Automatisches Einstellen der Blende

Stellen Sie den Schalter IRIS AUTO/MANUAL an der RM-C950 auf AUTO.

Hinweis

Beim VCL-610WEA ist eine manuelle Einstellung der Blende nicht möglich.

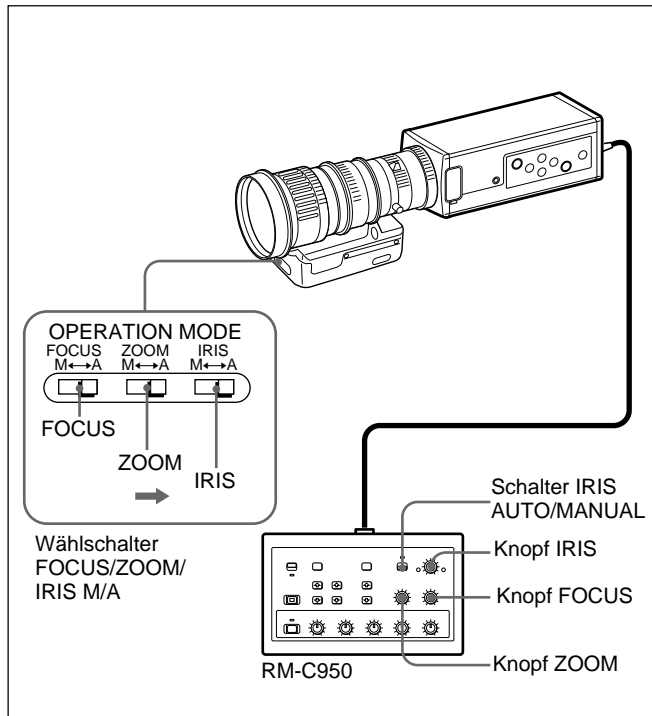
Einstellen des Brennpunkts

Stellen Sie den Brennpunkt durch Drehen des Knopfs FOCUS an der RM-C950 ein.

Zoomen

Stellen Sie den Knopf ZOOM an der RM-C950 wie erforderlich ein.

Beim Zoom-Objektiv VCL-614WEA



Einstellen der Blende

- 1 Stellen Sie den Wählschalter IRIS M/A am Objektiv auf A (automatisch) und den Schalter IRIS AUTO/MANUAL an der Fernsteuereinheit auf MANUAL.
- 2 Stellen Sie durch Drehen des Knopfes IRIS an der Fernsteuereinheit die Blende ein.

Einstellen des Brennpunkts

- 1 Stellen Sie den Wählschalter FOCUS M/A am Objektiv auf A (automatisch).
- 2 Stellen Sie durch Drehen des Knopfes FOCUS an der Fernsteuereinheit den Fokus ein.

Zoomen

- 1 Stellen Sie den Wählschalter ZOOM M/A am Objektiv auf A (automatisch).
- 2 Drehen Sie den Knopf ZOOM an der Fernsteuereinheit.

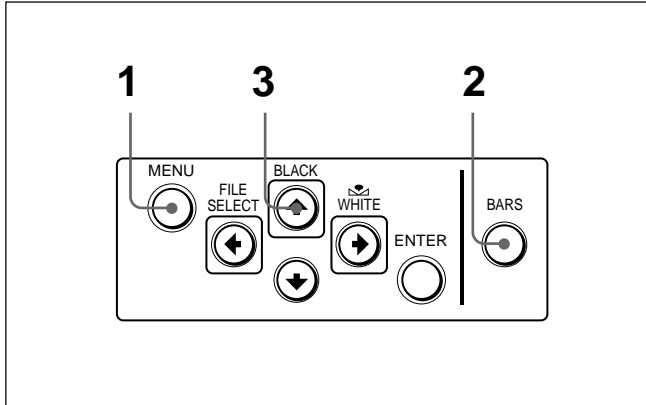
Hinweis

Beim manuellen Einstellen von Blende, Brennpunkt und Zoom mit den Ringen am Objektiv stellen Sie die Wählschalter IRIS, FOCUS und ZOOM M/A unbedingt auf M (manuell), bevor Sie Blende, Brennpunkt und Zoom einzustellen beginnen.

Wenn der Schalter beim manuellen Einstellen auf A steht, kann es zu Schäden am Objektiv kommen.

Einstellen des Schwarzwerts (Schwarzabgleich)

Stellen Sie nach dem Einschalten der Kamera zuerst den Schwarzwert ein.



Vorgehen

- 1** Wenn auf dem Bildschirm ein Menü angezeigt wird, blenden Sie es mit der Taste MENU aus.
- 2** Wenn ein Farbbalkensignal auf dem Bildschirm angezeigt wird, blenden Sie es mit der Taste BARS aus.
- 3** Drücken Sie die Taste BLACK.
Die Blende schließt sich automatisch, und der Schwarzwert wird eingestellt. Wenn Sie ein Objektiv ohne Blendenautomatik verwenden, schließen Sie die Blende, und drücken Sie dann BLACK.
Beim Einstellen werden die Balken angezeigt. Wenn die Einstellung abgeschlossen ist, erscheint die Meldung "BLACK: OK" auf dem Bildschirm.

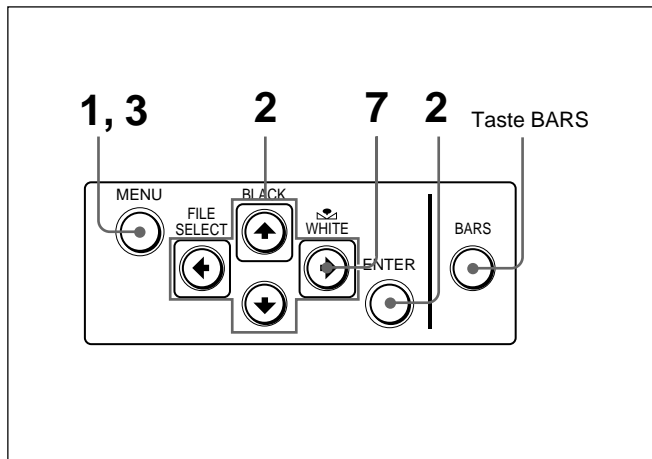
Fehler beim Schwarzabgleich

Wenn der Schwarzwert nicht korrekt eingestellt werden konnte, erscheint die Meldung "BLACK: NG" auf dem Bildschirm. Führen Sie in diesem Fall die erforderlichen Maßnahmen durch, und gehen Sie nochmals wie unter Schritt 1 bis 3 erläutert vor.

Näheres finden Sie unter "Liste der Meldungen" auf Seite 60.

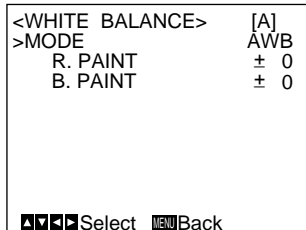
Einstellen des Weißwerts (Weißabgleich)

Stellen Sie jedes Mal, wenn sich die Lichtverhältnisse ändern, den Weißwert ein, so daß Sie immer eine optimale Farbwiedergabe erzielen.



Vorgehen

- 1** Rufen Sie mit der Taste MENU das Menü MAIN auf.
- 2** Rufen Sie das Menü WHITE BALANCE auf, und setzen Sie MODE auf AWB.



Erläuterungen zu den Menüs finden Sie unter "Arbeiten mit den Menüs (Einstellen der Menüoptionen" auf Seite 14.

- 3** Drücken Sie die Taste MENU zweimal, um das Menü auszublenden.
- 4** Lassen Sie das Kamerabild auf dem Bildschirm anzeigen.

Hinweis

Wenn ein Farbbalkensignal auf dem Bildschirm angezeigt wird, blenden Sie es mit der Taste BARS aus.

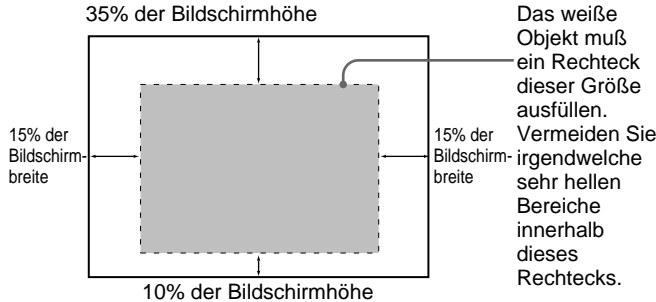
- 5** Stellen Sie die Steuerung der Objektivblende folgendermaßen ein.

Bei einem Objektiv mit Blendenautomatik: Stellen Sie die automatische Blendensteuerung ein.

Bei einem Objektiv ohne Blendenautomatik: Stellen Sie einen geeigneten Wert für die Blendenöffnung ein.

(Fortsetzung)

6 Stellen Sie ein weißes Motiv (weißes Muster, weißer Stoff usw.) in dasselbe Licht, das auch das aufzunehmende Objekt beleuchtet, und zoomen Sie dann auf das weiße Objekt, so daß es den folgenden Bildschirmbereich ausfüllt.



Als weißes Objekt eignet sich zum Beispiel eine weiße Wand in der Nähe des eigentlichen Motivs.

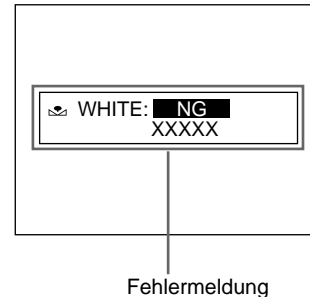
Hinweise

- Achten Sie darauf, daß keine stark reflektierenden Objekte auf dem Bild zu sehen sind.
- Nehmen Sie das Objekt immer unter geeigneten Lichtverhältnissen auf.

7 Drücken Sie die Taste WHITE. Beim Einstellen erscheinen die Balken. Die Meldung "WHITE: OK" erscheint auf dem Bildschirm, wenn die Einstellung abgeschlossen ist. Der eingestellte Weißwert wird automatisch gespeichert und bleibt erhalten, auch wenn die Kamera ausgeschaltet wird. Wenn Sie wieder unter vergleichbaren Bedingungen aufnehmen wollen, können Sie den gespeicherten Weißwert aufrufen, indem Sie MODE im Menü WHITE BALANCE auf AWB setzen.

Fehler beim Weißabgleich

Wenn der automatische Weißabgleich nicht erfolgreich verläuft, erscheint eine Fehlermeldung auf dem Bildschirm. Führen Sie in diesem Fall die erforderlichen Maßnahmen durch, und gehen Sie nochmals wie unter Schritt 1 bis 7 erläutert vor. Näheres finden Sie unter "Liste der Meldungen" auf Seite 60.



Einstellen der Farbqualität in einem System mit mehreren Kameras

Wenn Sie ein System mit mehreren Kameras konfigurieren, müssen Sie die Kameras aufeinander abstimmen, um Unterschiede in der Farbqualität bei den einzelnen Kameras zu vermeiden.

Bevor Sie die unten aufgeführten Einstellungen vornehmen, sorgen Sie dafür, daß in alle Kameras dasselbe Synchronisationssignal eingespeist wird.

Näheres finden Sie unter "Anschließen von mehreren Kameras – Multikamerasystem" auf Seite 51.

Anschließen der Kameras an Videogeräte mit Phasenanzeigefunktion

Wenn Sie die Kameras an einen Spezialeffektgenerator, ein Chroma-Key-Gerät oder ein anderes Videogerät mit Phasenanzeigefunktion anschließen, nehmen Sie die grundlegenden Einstellungen folgendermaßen vor.

- 1 Schalten Sie die Phasenanzeigefunktion des angeschlossenen Videogeräts ein.
- 2 Stellen Sie die Horizontalphase mit dem Menü ein. Wählen Sie H. PHASE im Menü SYSTEM.
Näheres dazu finden Sie unter "Arbeiten mit den Menüs" auf Seite 14.
- 3 Stellen Sie die Hilfsträgerphase mit dem Menü ein. Wählen Sie SC. PHASE im Menü SYSTEM. Nehmen Sie erst eine Grobeinstellung der Hilfsträgerphase vor, indem Sie SC. PHASE ROUGH auf 0° bis 180° einstellen, und nehmen Sie dann mit SC.

PHASE FINE die Feineinstellung vor.
Weitere Informationen dazu finden Sie in der Bedienungsanleitung zum angeschlossenen Videogerät mit Phasenanzeigefunktion.

Anschließen der Kameras an Videogeräte ohne Phasenanzeigefunktion

Verwenden Sie eine der Kameras als Referenzkamera, und passen Sie die anderen Kameras nacheinander an die Referenzkamera an.

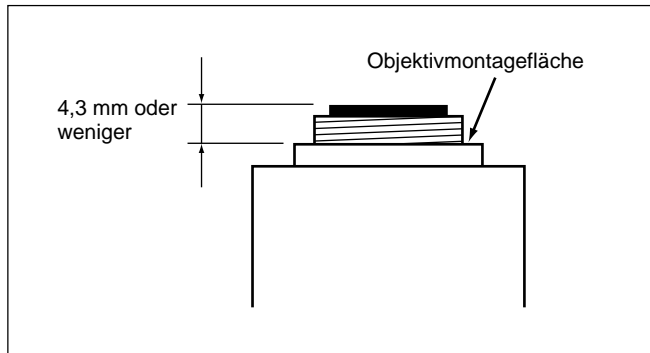
- 1 Stellen Sie die horizontale Phase ein. Wählen Sie H. PHASE aus dem Menü SYSTEM, und stellen Sie die Option so ein, daß das Referenzvideosignal und das Ausgangssignal dieselbe Horizontal-Synchronphase haben.
Überprüfen Sie die Phase mit einem Prüfsignal-Monitor oder einem Oszilloskop.
- 2 Stellen Sie die Hilfsträgerphase ein. Wählen Sie SC. PHASE im Menü SYSTEM. Nehmen Sie erst eine Grobeinstellung der Hilfsträgerphase vor, indem Sie SC. PHASE ROUGH auf 0° bis 180° einstellen, und nehmen Sie dann mit SC. PHASE FINE die Feineinstellung vor, so daß das Referenzvideosignal und das Ausgangssignal dieselbe Hilfsträgerphase haben. Benutzen Sie einen Vektorgraphen oder die Wiper-Funktion eines Spezialeffektgenerators, um das Signal der Referenzkamera und das der einzustellenden Kamera gleichzeitig auf dem Bildschirm anzuzeigen.

Installation und Anschlüsse

Installation

Geeignete Objektive

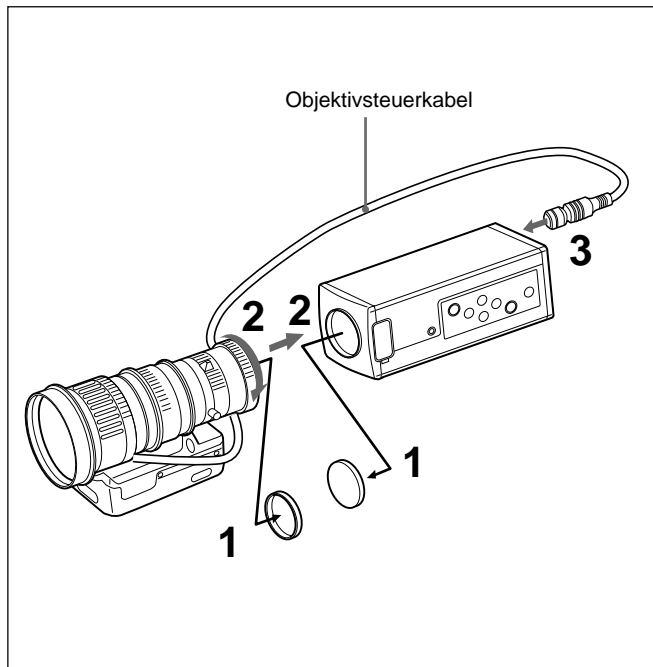
An diese Kamera können Sie Objektive mit C-Fassung und folgender Objektivmontagefläche anbringen.



Hinweis

Verwenden Sie ausschließliche Objektive mit einem Überstand von maximal 4,3 mm über der Objektivmontagefläche. Bei einem Überstand von mehr als 4,3 mm können die internen Mechanismen der Kamera beschädigt werden.

Montieren des Zoom-Objektivs VCL-614WEA



- 1 Entfernen Sie die Montagekappen von Kamera und Objektiv.
- 2 Richten Sie das Gewinde am Objektiv am Gewinde an der Kamera aus, und drehen Sie den Montagering so weit wie möglich im Uhrzeigersinn, um das Objektiv an der Kamera zu befestigen.
- 3 Schließen Sie das Objektivsteuerkabel an den Anschluss LENS der Kamera an.

So korrigieren Sie die Position des Objektivs

Wenn Sie den Montagering festgezogen haben, lockern Sie ihn, indem Sie ihn etwa 90° gegen den Uhrzeigersinn drehen. Drehen Sie dann das Objektiv, bis die Position korrekt ist, und ziehen Sie den Montagering dann wieder fest.

Montieren eines anderen Objektivs mit C-Fassung (nicht VCL-610WEA oder VCL-614WEA)

Erläuterungen dazu finden Sie auch in der mit dem Objektiv gelieferten Bedienungsanleitung.

- 1 Entfernen Sie die Montagekappen von Kamera und Objektiv.
- 2 Richten Sie das Gewinde am Objektiv am Gewinde an der Kamera aus, und drehen Sie das Objektiv langsam im Uhrzeigersinn, um es an der Kamera zu befestigen.

So korrigieren Sie die Position des Objektivs

Schlagen Sie in der mit dem Objektiv gelieferten Bedienungsanleitung nach.

Anbringen eines Mikroskopadapters

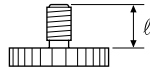
Wenn Sie die Kamera an einem Mikroskop, einem Operationsmikroskop usw. anbringen wollen, benötigen Sie einen geeigneten Adapter. Den Adapter können Sie auf die gleiche Weise anbringen wie ein Objektiv.

Erläuterungen dazu finden Sie in der mit dem Adapter gelieferten Bedienungsanleitung.

Montieren auf einem Stativ

Bringen Sie den mitgelieferten Stativadapter an den drei Bohrungen (M3) an der Ober- oder Unterseite an. Montieren Sie dann das Stativ am Adapter, und zwar mit Hilfe der folgenden Montageschrauben:

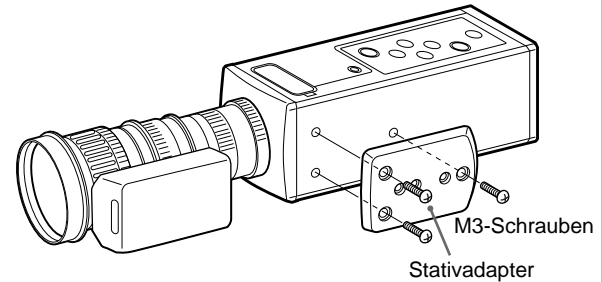
UNC-20-Schraube, 1/4 Zoll
 $\ell = 4,5 \text{ mm} \pm 0,2 \text{ mm}$ (ISO-Standard)



Montieren des mitgelieferten Stativadapters

Das folgende Beispiel erläutert die Montage des Stativadapters an der Unterseite der Kamera. Genauso können Sie den Stativadapter auch an der Oberseite der Kamera anbringen.

Beispiel: Montieren an der Unterseite



Installation der Kamera an Wand oder Decke

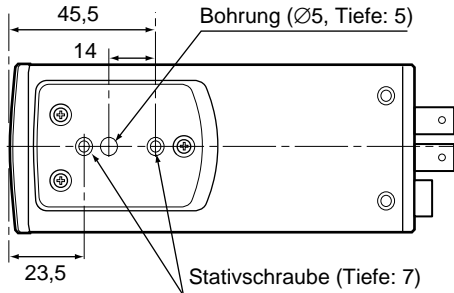
Bringen Sie die Kamera mit dem Stativadapter an der Montagehalterung oder der Deckenhalterung an. Verwenden Sie dazu geeignete Schrauben (UNC-20-Schraube, 1/4 Zoll), die in die Stativbohrungen des Adapters passen.

(Fortsetzung)

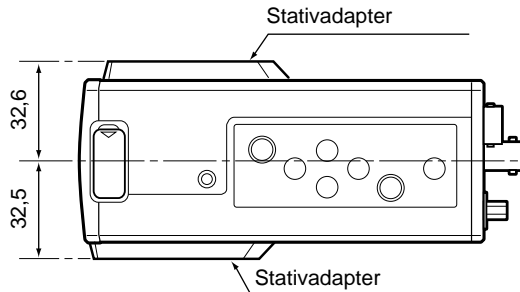
Installation

Referenzmaße für die Montage eines Stativs

Oberseite

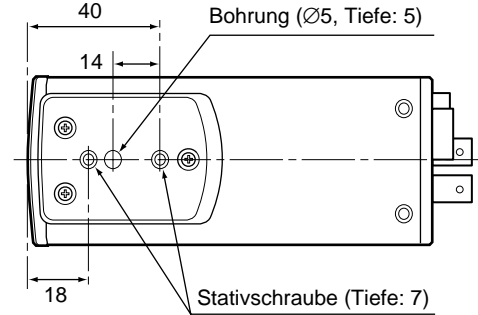


Seite



Einheit: mm

Unterseite



Einheit: mm

Grundlegende Systemanschlüsse

Verwenden Sie zur Stromversorgung der Kamera den Kameraadapter CMA-D2/D2MD/D2CE/D2MDCE/D3/D3CE.

Welcher Kameraadapter jeweils geeignet ist, hängt von den Signalsystemen und der Verwendung der Kamera ab.

System Verwendung	EIA-Standard, Farbsystem NTSC	CCIR-Standard, Farbsystem PAL
Medizinisch	CMA-D2MD	CMA-D2MDCE
Nicht-medizinisch	CMA-D2 CMA-D3	CMA-D2CE CMA-D3CE

Hinweis zu den Anschlüssen

Achten Sie darauf, daß alle Geräte ausgeschaltet sind, bevor Sie irgendwelche Anschlüsse vornehmen.

Verwenden des Kameraadapters CMA-D2/ D2MD/D2CE/D2MDCE

Es gibt zwei Möglichkeiten, Kamera und Kameraadapter miteinander zu verbinden.

- Über ein CCDC-Kabel, das die Kamera nur mit Strom versorgt (*Das Anschlußverfahren ist auf Seite 48 erläutert.*)
- Über ein CCMC-Kabel, das die Kamera mit Strom versorgt und außerdem Videosignale an den Kameraadapter überträgt (*Das Anschlußverfahren ist auf Seite 49 erläutert.*)

Hinweis

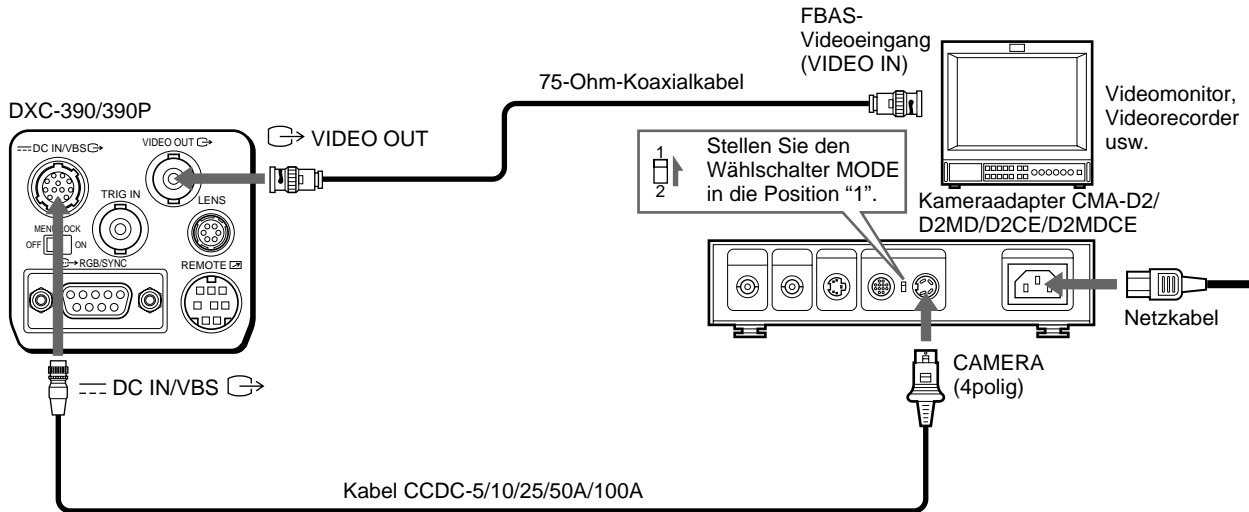
Verwenden Sie für jede DXC-390/390P unbedingt einen eigenen Kameraadapter. Der Kameraadapter weist zwar zwei CAMERA-Anschlüsse (4polig und 12polig) auf, aber die Leistungsaufnahme der Kamera ist so hoch, daß nicht zwei Kameras gleichzeitig angeschlossen werden können.

Verwenden des Kameraadapters CMA-D3/ D3CE

Bei einer Verbindung über den Kameraadapter CMA-D3/D3CE wird die Kamera mit Strom versorgt, und Videosignale werden an den Kameraadapter übertragen. *Das Anschlußverfahren ist auf Seite 52 erläutert.*

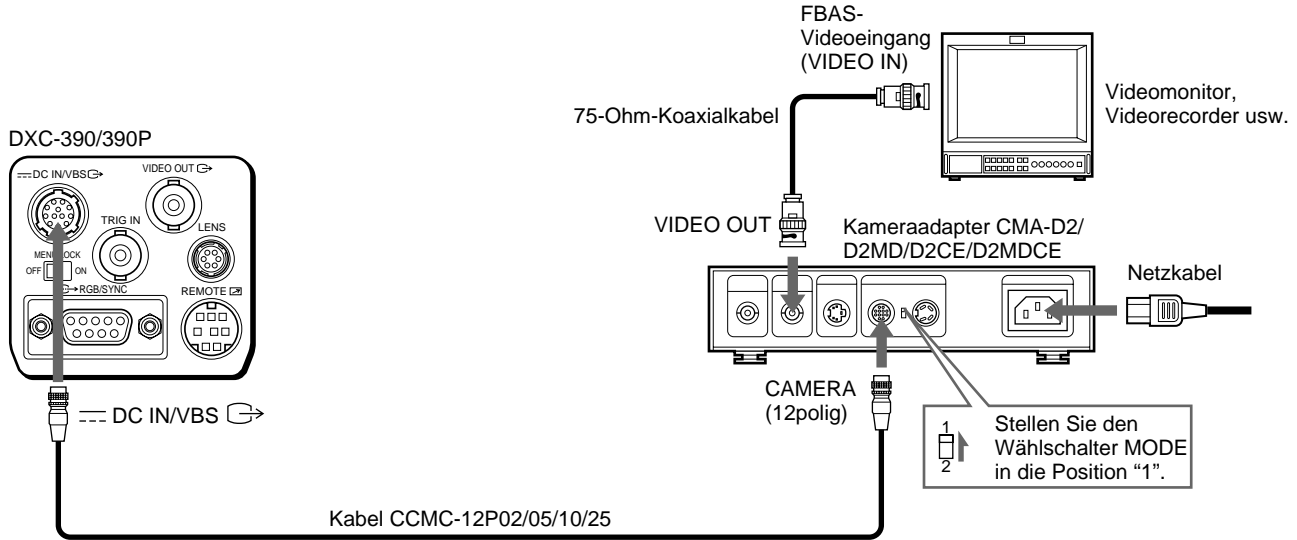
Anschließen an Videogeräte mit FBAS-Videoeingängen

Anschließen über ein CCDC-Kabel



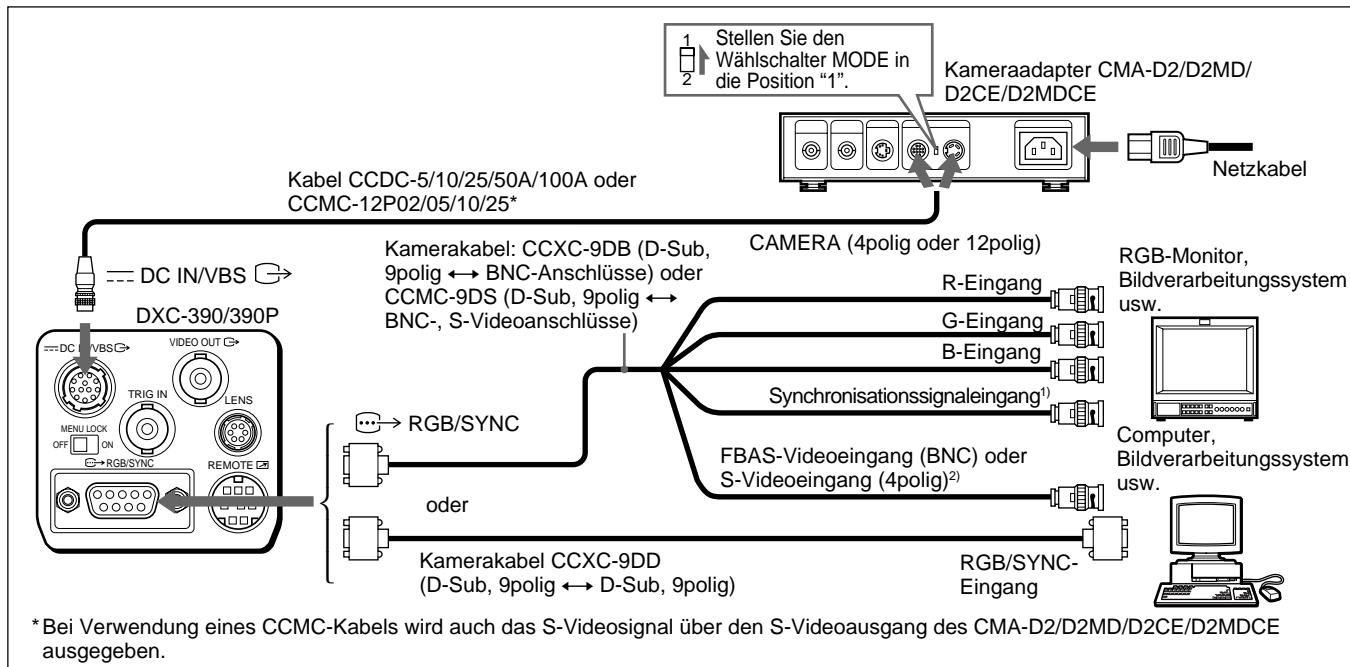
Anschließen über ein CCDC-Kabel (nur zur Stromversorgung)

Anschließen über ein CCMC-Kabel



Anschließen über ein CCMC-Kabel (Stromversorgung der Kamera und Übertragen von Videosignalen an den Kameraadapter)

Anschließen an Videogeräte mit RGB- oder S-Videoeingängen



1) Bei Verwendung eines Videomonitors ohne Eingangsanschluß für Synchronisationssignale können Sie die Kamera so einstellen, daß ein Synchronisationssignal zusammen mit dem G-Signal oder den RGB-Signalen ausgegeben wird.
Erläuterungen dazu finden Sie unter "MenüSYSTEM" auf Seite 27.

2) Diese Konfiguration gilt für den Anschluß des Geräts an einen FBAS-Videoanschluß (VBS). Zum Einspeisen getrennter Y/C-Signale in den S-Videoeingang von Videogeräten verwenden Sie das Kamerakabel CCMC-9DS.
Näheres zum Umschalten der Kameraausgangssignale zwischen VBS (FBAS-Video) und Y/C finden Sie unter "MenüSYSTEM" auf Seite 27.

Anschließen von mehreren Kameras — Multikamerasystem

Hinweise zu Systemen mit mehreren Kameras

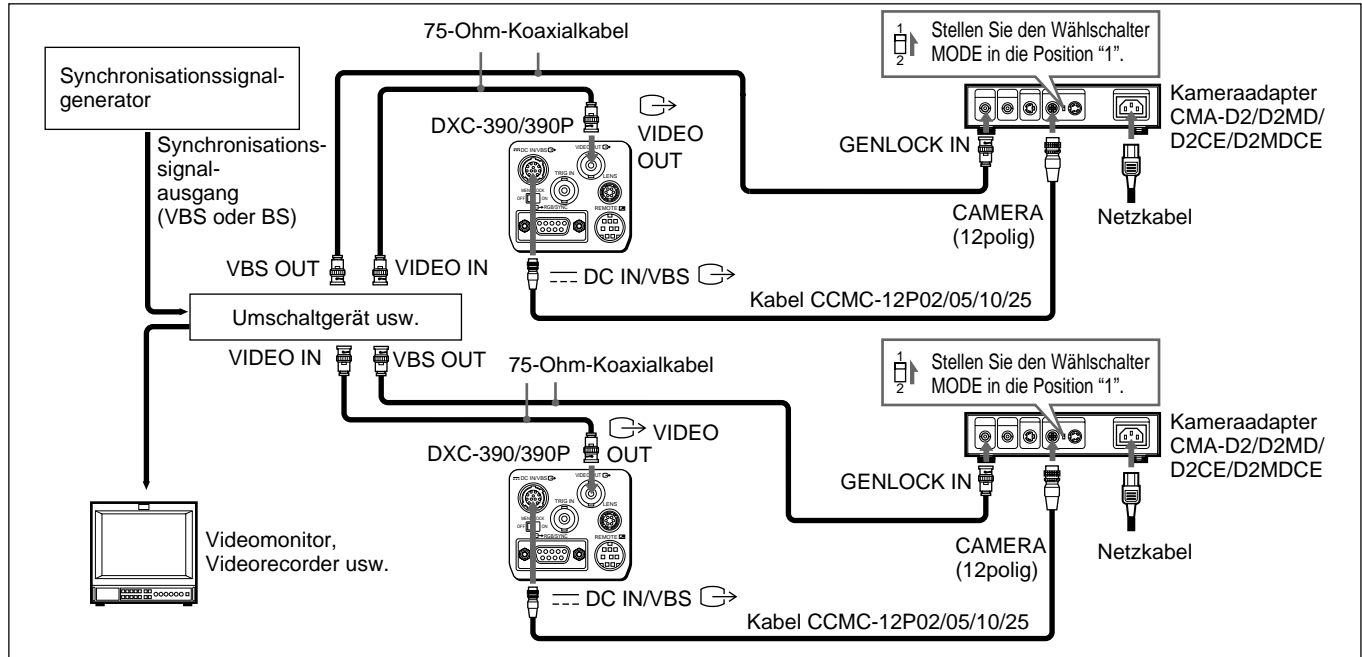
Führen Sie folgende Schritte aus, um Flimmern beim Umschalten zwischen zwei oder mehr Kameras zu vermeiden, die an ein Videoumschaltgerät angeschlossen sind:

- Speisen Sie dasselbe Synchronisationssignal in die

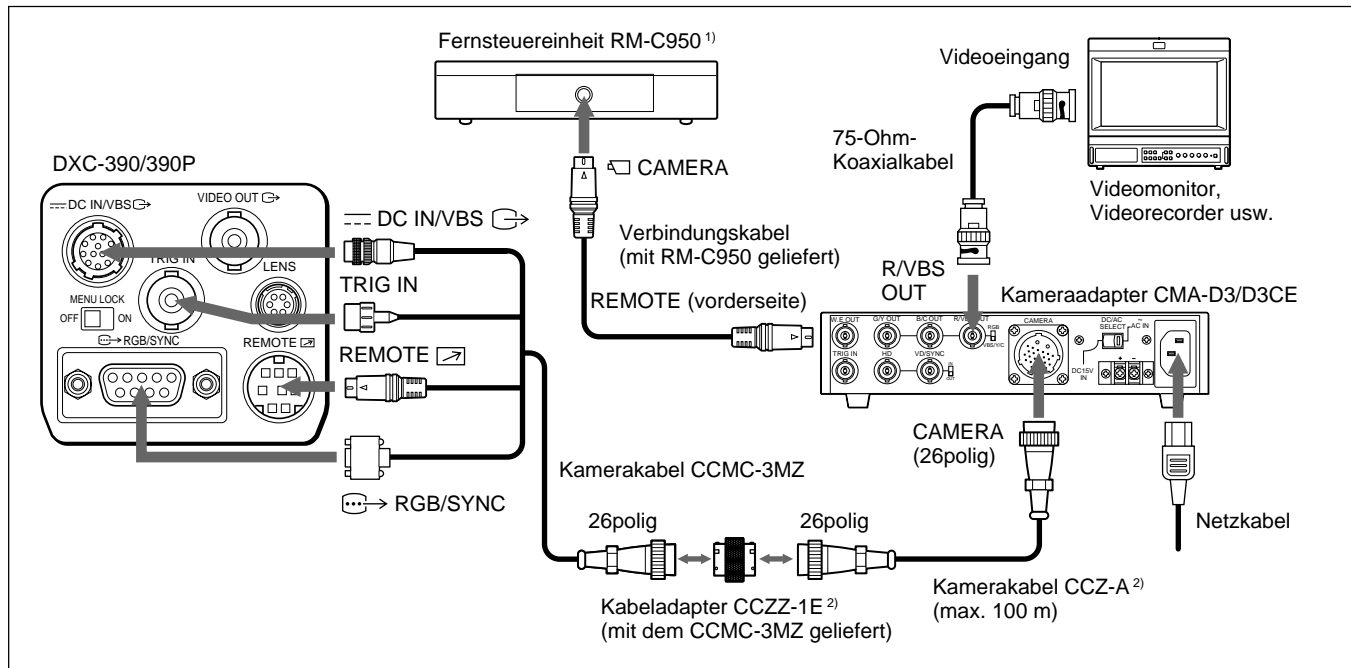
Anschlüsse GENLOCK IN aller Kameraadapter ein (siehe unten).

- Stellen Sie die Hilfsträger- und Horizontal-Synchronphasen aller Kameras ein.

Näheres finden Sie unter "Einstellen der Farbqualität in einem System mit mehreren Kameras" auf Seite 41.



Anschließen des Kameraadapters CMA-D3/D3CE

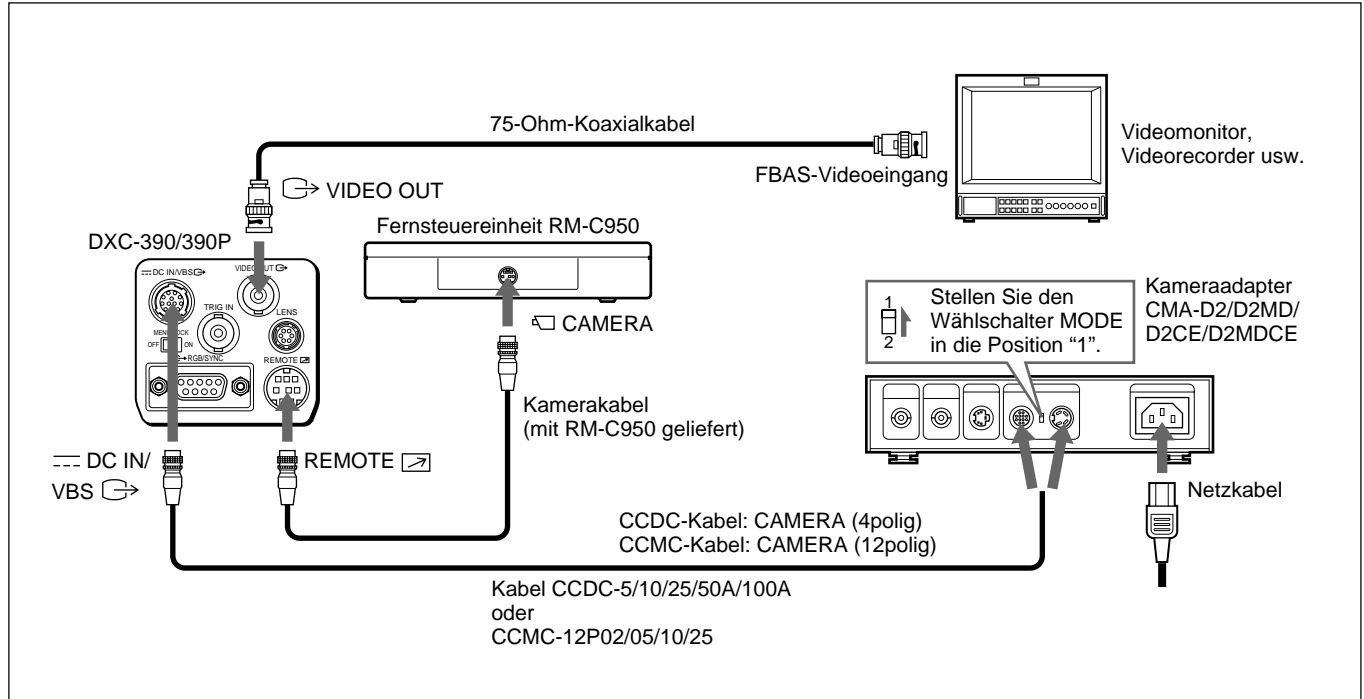


1) Verbinden Sie in diesem Fall die Fernbedienung RM-C950 mit dem Kameraadapter CMA-D3/D3CE.

2) Zur Verlängerung des Kabels schließen Sie das Kamerakabel CCMC-3MZ über den Kabeladapter, der mit dem CCMC-3MZ geliefert wird, an das Kamerakabel CCZ-A an.

Anschließen an eine Fernsteuereinheit



An diese Kamera können Sie die Fernsteuereinheit RM-C950 anschließen.




Bedienen der Kamera über die Fernsteuereinheit RM-C950

Wenn Sie diese Kamera über die Fernsteuereinheit RM-C950 bedienen, ändern sich - entsprechend den Kamerafunktionen - Name und Funktion der Tasten PRINT, FLASH, LONG EXPOSURE und FUNCTION sowie des Reglers GAIN in folgender Weise.

Funktion der Tasten PRINT, FLASH, LONG EXPOSURE und FUNCTION sowie des Reglers GAIN an der RM-C950

Taste/Regler auf der RM-C950	Tasten-/Reglerbezeichnung bei Verwendung mit dieser Kamera	Funktion
PRINT 	ENTER	Dient zum Aufrufen des Einstellmenüs, das Sie im Hauptmenü MAIN ausgewählt haben, oder zum manuellen Einstellen des AE-Fensters usw. in den Menüs.
FLASH 	FILE SELECT	Dient zum Wechseln zwischen den Benutzerdateien A und B.

Taste/Regler auf der RM-C950	Tasten-/Reglerbezeichnung bei Verwendung mit dieser Kamera	Funktion
LONG EXPOSURE ↑ ↓	SHUTTER SPEED	Dient zum Einstellen der Verschlusszeit, ohne daß das Menü aufgerufen werden muß, wenn SHUTTER im Menü auf STEP oder VARIABLE gesetzt ist.
GAIN 	GAIN	Dient zum Umschalten des Variationsbereichs der Gain-Werte auf 0-24 dB.
FUNCTION ↑	BLACK	Dient zum Starten des automatischen Schwarzabgleichs.

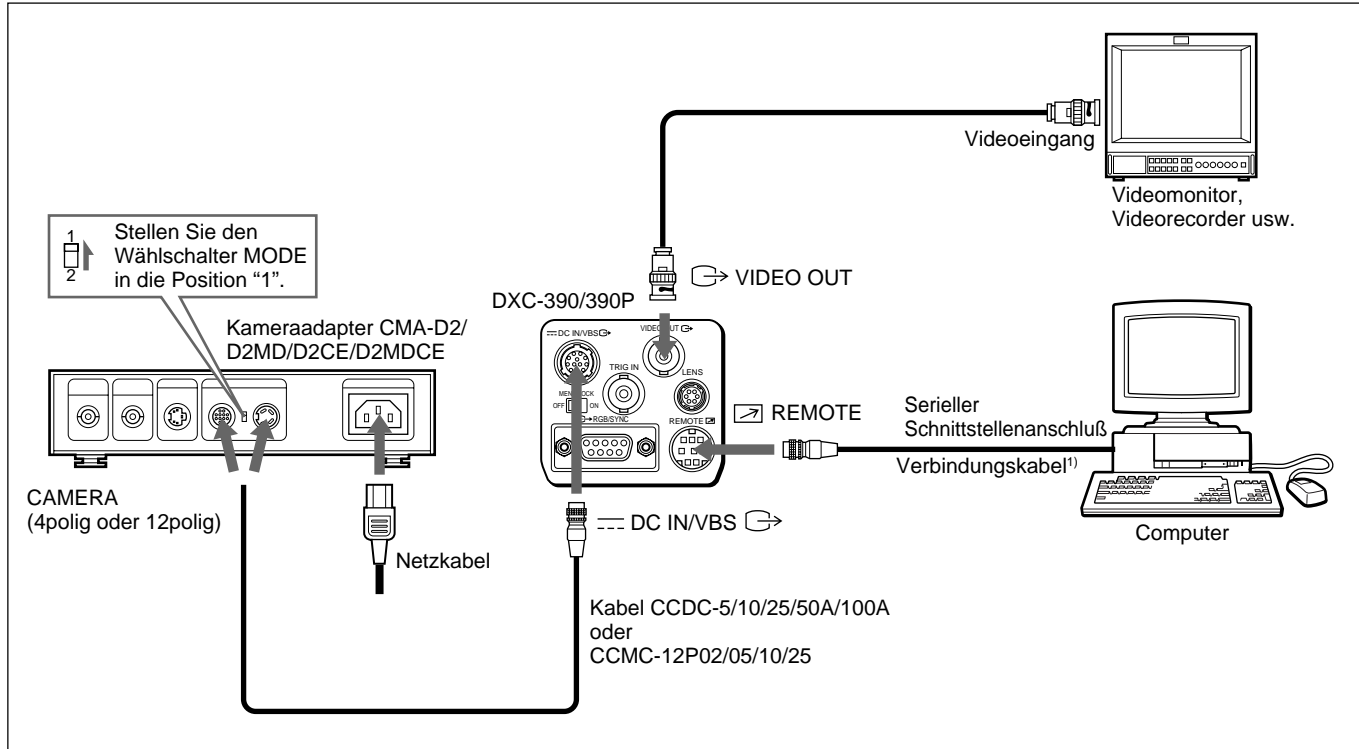
Anbringen des mitgelieferten Aufklebers

Mit der Kamera wird ein Aufkleber mit den Tastenbezeichnungen geliefert, die für die Fernsteuereinheit gelten, wenn Sie diese zum Bedienen der Kamera verwenden.

Bringen Sie den Aufkleber auf dem Bedienfeld der RM-C950 an.

- 1** Reinigen Sie das Bedienfeld der RM-C950, bevor Sie den Aufkleber anbringen.
- 2** Lösen Sie das Trägerblatt an der Rückseite des Aufklebers ab, und bringen Sie den Aufkleber auf dem Bedienfeld an.

Anschließen an einen Computer

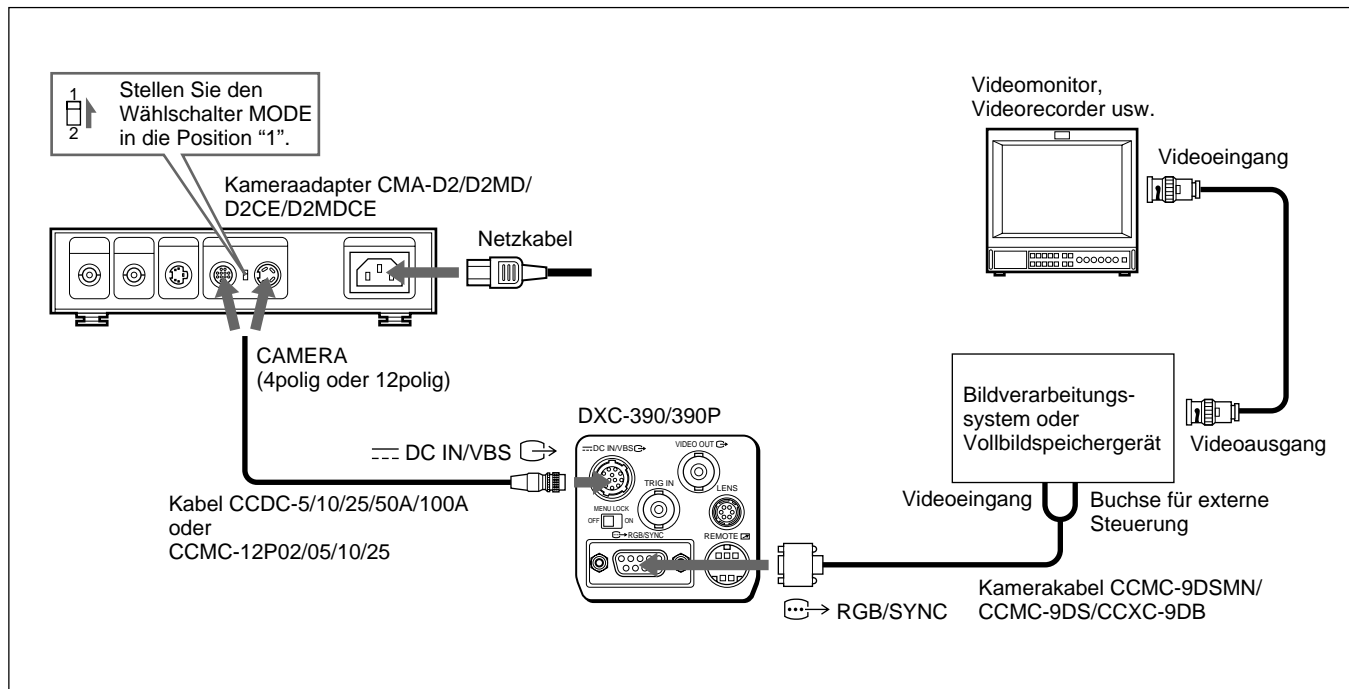


System zum Bedienen der Kamera per Computer mit Hilfe von RS-232C-Befehlen

1) Verwenden Sie zum Anschließen an einen Computer ein abgeschirmtes Verbindungskabel.

Näheres zu RS-232C-Protokollen und zu den Kabeln für den Anschluß an einen Computer erfahren Sie bei Ihrem autorisierten Sony-Händler.

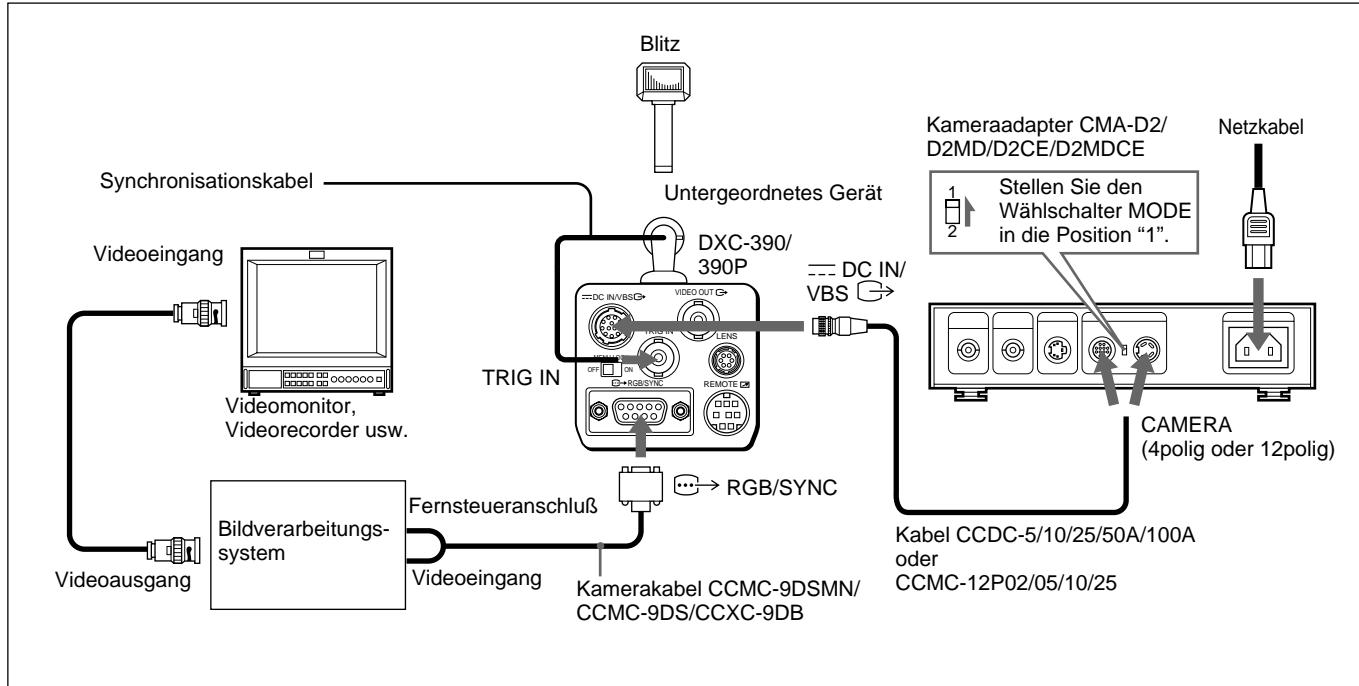
Anschlüsse für Aufnahmen mit Langzeitbelichtung



Hinweis

Bei Aufnahmen mit Langzeitbelichtung setzen Sie im Menü SYSTEM die Option D-SUB SYNC auf WEN und die Option RGB SYNC auf G oder RGB (Seite 28).

Anschlüsse für Aufnahmen mit Blitz



Hinweis

Bei Aufnahmen mit Blitz setzen Sie im Menü **GENERAL** die Option **TRIGGER** auf **ON** (Seite 27) und im Menü **SYSTEM** die Option **D-SUB SYNC** auf **WEN** (Seite 28).

Sicherheitsmaßnahmen

Umgebungsbedingungen bei Betrieb und Lagerung

Benutzen und lagern Sie die Kamera nicht an Orten, an denen sie folgenden Bedingungen ausgesetzt ist. Andernfalls kann die Kamera beschädigt werden.

- Extremer Hitze oder Kälte (Betriebstemperatur: -5 °C bis $+45\text{ °C}$)
- Direktem Sonnenlicht über einen längeren Zeitraum hinweg oder dem Einfluß von Wärmequellen wie z. B. Heizungen
- Starken Magnetfeldern
- Starker elektromagnetischer Strahlung wie z. B. in der Nähe von Radios oder Fernsehsendern
- Starken Vibrationen oder Stößen

Luftzufuhr

Achten Sie auf ausreichende Luftzufuhr, damit sich im Gerät kein Wärmestau bildet.

Transport

Verpacken Sie die Kamera zum Transportieren wieder in der Original- oder in einer gleichartigen Verpackung.

Reinigung

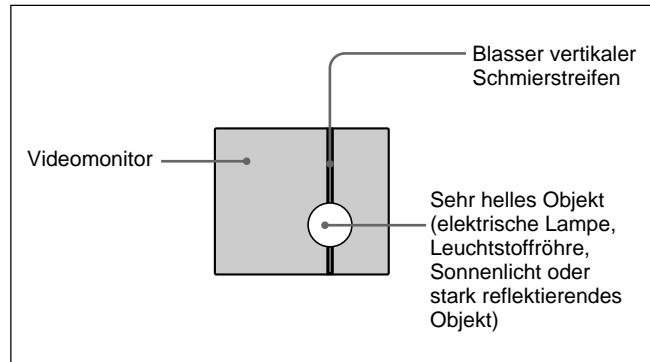
- Staub können Sie mit einem Staubbläser vom Objektiv und dem optischen Filter entfernen.
- Reinigen Sie die Oberflächen der Kamera mit einem weichen, trockenen Tuch. Hartnäckige Verschmutzungen entfernen Sie mit einem Tuch, das Sie leicht mit einer Reinigungslösung angefeuchtet haben. Wischen Sie das Gehäuse anschließend trocken.
- Verwenden Sie keine flüchtigen Lösungsmittel wie Alkohol, Benzin oder Verdünnung, da diese die Gehäuseoberfläche angreifen könnten.

Typische CCD-Phänomene

Die folgenden Phänomene können beim Arbeiten mit der Farbvideokamera DXC-390/390P auf dem Bildschirm des Monitors auftreten. Diese Phänomene sind auf die hohe Empfindlichkeit der CCD-Bildsensoren zurückzuführen und stellen keine Fehlfunktion des Geräts dar.

Vertikale Schmiereffekte

Wie unten abgebildet, kann von sehr hellen Objekten ein vertikaler "Schmierstreifen" ausgehen.



Dieses Phänomen tritt auf, wenn eine durch Infrarotstrahlung im Innern des Fotosensors hervorgerufene elektrische Ladung an die Widerstände übertragen wird. Es ist auf das Zwischenzeilentransfer-System der CCD-Bilderzeugungselemente zurückzuführen.

Treppeneffekt (Aliasing)

Beim Aufnehmen schmaler Streifen, gerader Linien oder ähnlicher Muster können die Linien leicht treppenförmig (gezackt) erscheinen.

Bildelementfehler

Ein CCD-Bildsensor besteht aus einer Anordnung von einzelnen Sensorelementen, die den Bildelementen (Pixeln) entsprechen. Eine Fehlfunktion eines Sensorelements erscheint im Bild als fehlendes Pixel. Dies ist im allgemeinen kein Problem.



Weißer Flecken

Wenn Sie ein schlecht beleuchtetes Objekt bei hoher Temperatur aufnehmen, können auf dem gesamten Bildschirm kleine weiße Punkte erscheinen.

Liste der Meldungen

Folgende Meldungen können auf dem Bildschirm erscheinen. Führen Sie in diesem Fall die unten angegebenen Abhilfemaßnahmen durch.

Meldungen beim automatischen Weißabgleich

Meldung	Bedeutung/Abhilfemaßnahmen
WHITE: OK	Der automatische Weißabgleich wurde erfolgreich abgeschlossen.
WHITE: NG LEVEL LOW	Der Videopegel des Bildes ist zu niedrig. <ul style="list-style-type: none"> • Verstärken Sie die Beleuchtung. • Öffnen Sie die Blende weiter. • Erhöhen Sie den Video-Gain-Wert. Führen Sie eine oder mehrere der angegebenen Maßnahmen durch, und drücken Sie dann die Taste  WHITE.
WHITE: NG LEVEL HIGH	Der Videopegel des Bildes ist zu hoch. <ul style="list-style-type: none"> • Entfernen Sie hell leuchtende Objekte. • Verringern Sie die Beleuchtung. • Verringern Sie die Blendenöffnung. • Verringern Sie den Video-Gain-Wert. Führen Sie eine oder mehrere der angegebenen Maßnahmen durch, und drücken Sie dann die Taste  WHITE.
WHITE: NG TEMP LOW	Die Farbtemperatur ist zu niedrig. Ändern Sie die Farbtemperatur des Motivs auf einen geeigneten Wert.

Meldungen beim automatischen Weißabgleich (Fortsetzung)

Meldung	Bedeutung/Abhilfemaßnahmen
WHITE: NG TEMP HIGH	Die Farbtemperatur ist zu hoch. Ändern Sie die Farbtemperatur des Motivs auf einen geeigneten Wert.
WHITE: NG TRY AGAIN	Die Kamera konnte keinen Weißabgleich vornehmen. Sorgen Sie dafür, daß das aufzunehmende Motiv einen weißen Bereich enthält. Führen Sie die oben angegebenen Maßnahmen durch, und versuchen Sie es erneut. Wenn die Meldung angezeigt wird, während Sie die Einstellung erneut versuchen, muß die Kamera überprüft werden. Wenden Sie sich an Ihren autorisierten Sony-Händler.

Meldungen beim automatischen Schwarzabgleich

Meldung	Bedeutung/Abhilfemaßnahmen
BLACK: OK	Der automatische Schwarzabgleich wurde erfolgreich abgeschlossen.
BLACK: NG IRIS close?	Die Kamera konnte keinen Schwarzabgleich vornehmen. Schließen Sie die Blende, und drücken Sie dann die Taste BLACK.
BLACK: NG	Die Kamera konnte keinen Schwarzabgleich vornehmen. Überprüfen Sie die Kamera, und drücken Sie dann die Taste BLACK. Wenn Sie noch einmal versuchen, die Einstellung vorzunehmen, und die Meldung erneut angezeigt wird, müssen die inneren Bauteile der Kamera überprüft werden. Wenden Sie sich an Ihren autorisierten Sony-Händler.

Bilderzeugungssystem/Optisches System

Bildwandler 1/3-Zoll-CCD, Zwischenzeilentransfer
Effektive Bildelemente
DXC-390: 768 (horizontal) × 494 (vertikal)
DXC-390P: 752 (horizontal) × 582 (vertikal)
Objektivfassung
C-Fassung

Videosystem

Synchronisation
Interne/externe Synchronisation (VBS, HD/
VD), automatische Umschaltung
Signalformat DXC-390: NTSC-Standardformat (EIA-
Standard)
DXC-390P: PAL-Standardformat (CCIR-
Standard)
Abtastung DXC-390: 525 Zeilen, 2:1-Interlace
DXC-390P: 625 Zeilen, 2:1-Interlace
Abtastfrequenz
DXC-390: 15,734 kHz (horizontal), 59,94 Hz
(vertikal)
DXC-390P: 15,625 kHz (horizontal), 50,00
Hz (vertikal)

Funktionen/Leistung

Horizontale Auflösung
800 Fernsehzeilen
Empfindlichkeit
2000 lx (F 8, 3.200 K)
Signal-Rauschabstand
DXC-390: 62 dB
DXC-390P: 61 dB
Gain-Steuerung
AGC: AGC (automatische
Verstärkungsregelung)
STEP: 0 – 24 dB (in Schritten von 1 dB)
HYPER
Weißwert AWB: R. PAINT, B. PAINT
MANUAL: R. GAIN, B. GAIN
ATW: R. PAINT, B. PAINT
3200 K
5600 K
Elektronische Verschußzeit
Einstellbar von 1/100000 bis ca. 8,0 Sek.
(einstellbar mit CCD IRIS)
Linearmatrix Ein-/ausschaltbar
Gammakompensation
Ein-/ausschaltbar
Ladungsakkumulationsmodus
Umschaltbar zwischen Vollbild- und
Halbbildmodus

(Fortsetzung)

Ein-/Ausgänge

Videoein-/ausgangssignale

FBAS-Videosignal: 1 Vp-p (75 Ohm)

R/G/B: 1,0 Vp-p (75 Ohm bei R/G/B mit Synchronisation)

Y: 1 Vp-p (75 Ohm)

Y/C: 1 Vp-p, Pegel wie bei VBS-Chroma, 75 Ohm

SYNC: 2 Vp-p, 75 Ohm

Externer Synchronisationssignaleingang

VBS/BS, HD/VD (VBS 1 Vp-p oder Burst

0,3 Vp-p, SYNC 0,3 Vp-p oder HD/VD

4,0 Vp-p, 75 Ohm)

Ein-/Ausgänge

VIDEO OUT: BNC, 75 Ohm, unsymmetrisch

DC IN/VBS: 12polig

REMOTE: Mini-DIN, 18polig

TRIG IN: BNC, TTL

RGB/SYNC: D-Sub, 9polig

LENS: 6poliger Anschluß für Zoom-Objektiv speziell für diese Kamera

Allgemeines

Betriebsspannung

12 V Gleichstrom

Leistungsaufnahme

ca. 7,6 W

Betriebstemperatur

-5 °C bis +45 °C

Temperatur bei Lagerung und Transport

-20 °C bis +60 °C

Luftfeuchtigkeit bei Betrieb

20 bis 80 % (nicht kondensierend)

Luftfeuchtigkeit bei Lagerung und Transport

20 bis 90 % (nicht kondensierend)

Abmessungen

56 × 50 × 128 mm (B/H/T) (ohne vorstehende Teile und Bedienelemente)

Gewicht

ca. 370 g

Mitgeliefertes Zubehör

Objektivschutzkappe (1)

Stativadapter (1)

Aufkleber für die Tasten an der RM-C950 (1)

Bedienungsanleitung (1)

Garantiekarte (1) (nur DXC-390)

Liste der Vertriebsunternehmen (1)

(nur DXC-390P)

Spezifikationen für medizinischen Bereich

Schutz vor elektrischem Schlag

Klasse I

Schutz vor dem Eindringen von Wasser

Normal

Grad der Gerätesicherheit bei Vorhandensein
von brennbarem anästhetischem Gemisch oder Sauerstoff

Nicht geeignet zum Einsatz bei

Vorhandensein von brennbarem

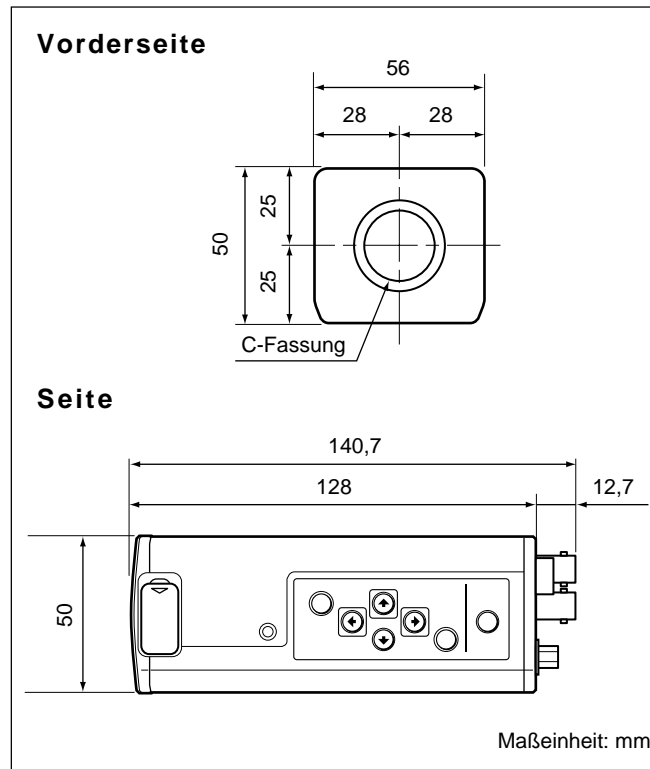
anästhetischem Gemisch oder Sauerstoff

Betriebsmodus

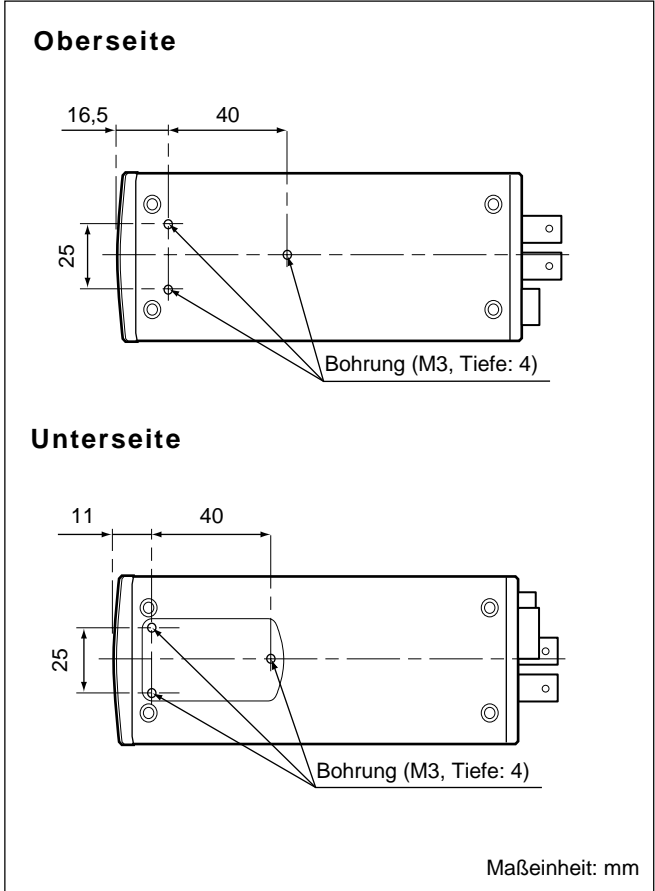
Kontinuierlich

Änderungen, die dem technischen Fortschritt dienen,
bleiben vorbehalten.

Abmessungen



(Fortsetzung)



Objektive

Zoom-Objektiv VCL-614WEA (14fach, $f = 5,5\text{--}77$ mm)

Zoom-Objektiv VCL-610WEA (10fach, $f = 6,5\text{--}65$ mm)

Kameraadapter

Kameraadapter CMA-D2 (für NTSC)

Kameraadapter CMA-D2MD (für NTSC, Einsatz im medizinischen Bereich)

Kameraadapter CMA-D2CE (für PAL)

Kameraadapter CMA-D2MDCE (für PAL, Einsatz im medizinischen Bereich)

Kameraadapter CMA-D3 (für NTSC)

Kameraadapter CMA-D3CE (für PAL)

Fernsteuereinheit

Fernsteuereinheit RM-C950 (Verbindungskabel mitgeliefert)

Stromversorgungskabel

CCDC-Serie (Länge: 5 m, 10 m oder 25 m)

CCDC-A-Serie (Länge: 50 m oder 100 m)

CCMC-Serie (Länge: 2 m, 5 m, 10 m oder 25 m)

CCMC-3MZ (Länge: 3 m)

CCZ-A-Serie (Länge: 2 m, 5 m, 10 m, 25 m, 50 m oder 100 m)

Kamerakabel

CCXC-9DB (D-Sub \leftrightarrow BNC \times 5)

CCXC-9DD (D-Sub \leftrightarrow D-Sub)

CCMC-9DS (D-Sub \leftrightarrow BNC \times 4, S-Videoanschluß)

CCMC-9DSMN (D-Sub \leftrightarrow BNC \times 3, Cinchbuchse, S-Videoanschluß)

Videocámara en color 3CCD

ADVERTENCIA

Para evitar el riesgo de incendios o electrocución, no exponga la unidad a la lluvia ni a la humedad.

Para evitar descargas eléctricas, no abra el aparato. Solicite asistencia técnica únicamente a personal especializado.

IMPORTADOR:

SONY ELECTRÓNICOS DE MÉXICO, S.A. DE C.V.
HENRY FORD # 29, FRACC. IND. SAN NICOLAS
TLALNEPANTLA EDO. DE MÉXICO, C.P. 54030
R.F.C. SEM 941001 BJA TEL. 321-1000

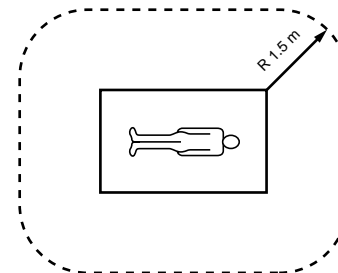
POR FAVOR LEA DETALLADAMENTE ESTE MANUAL
DE INSTRUCCIONES ANTES DE CONECTAR Y OPERAR
ESTE EQUIPO.

RECUERDE QUE UN MAL USO DE SU APARATO
PODRÍA ANULAR LA GARANTÍA.

Medidas de seguridad y avisos importantes para emplear la unidad en entornos médicos

1. Todos los equipos conectados a esta unidad deben estar certificados de acuerdo con la Norma IEC60601-1, IEC60950, IEC60065 u otras Normas IEC/ISO aplicables a los equipos.
2. Cuando esta unidad se utilice junto con otro equipo en la zona de pacientes*, el equipo deberá alimentarse mediante un transformador de aislamiento o conectarse a masa a través de un terminal adicional protector de tierra, a menos que esté certificado de acuerdo con la Norma IEC60601-1.

* Zona de pacientes



3. La corriente de fugas podría aumentar cuando se conecte a otro equipo.

-
4. Este equipo genera, utiliza y puede radiar energía de frecuencias. Si no se instala y se utiliza de acuerdo con lo especificado en el manual de instrucciones, puede causar interferencias en otros equipos. Si esta unidad produce interferencias (que pueden determinarse desenchufando el cable de alimentación de la misma), intente las siguientes medidas: Cambie la ubicación de la unidad con respecto al equipo susceptible. Conecte esta unidad y el equipo susceptible a circuitos derivados distintos. Consulte con el proveedor.
(Según la Norma EN60601-1-2 y CISPR11, Clase B, Grupo 1)

Precaución

Cuando deseche la unidad o los accesorios, deberá cumplir con las normas de la zona o país correspondiente y con las del hospital en el que se encuentre.

Capítulo 1

Descripción general

Características	6
Ubicación y función de componentes y controles	8
Panel frontal/superior/inferior	8
Panel lateral derecho (panel de control)	9
Panel posterior	11

Capítulo 2

Funcionamiento

Ajustes de menú	12
Configuración de menús	12
Operaciones de menú	14
Función de los menús	16
Ajustes iniciales de los menús	31
Filmación	32
Ajuste de la distancia focal del plano de montaje	32
Procedimiento básico de filmación	35
Ajuste del iris, enfoque y zoom	36
Ajuste del balance de negro	38
Ajuste del balance de blancos	39
Ajuste del tono de la imagen en un sistema multicámara	41

Capítulo 3

Instalación y conexiones

Instalación	42
Objetivo aplicable	42
Montaje del objetivo	43
Montaje de un adaptador de microscopio	45
Montaje en un trípode	45
Montaje en una pared o techo	45
Conexión básica del sistema	47
Conexión de equipos de vídeo con conectores de entrada de vídeo compuesto	48
Conexión de equipos de vídeo con entradas RGB o de vídeo S	50
Conexión de dos o más cámaras—sistema multicámara	51
Conexión al adaptador de cámara CMA-D3/D3CE	52
Conexión de una unidad de control remoto	53
Control de la cámara con la unidad de control remoto RM-C950	54
Conexión a un ordenador	55
Conexiones para la filmación de larga exposición	56
Conexiones para la filmación con flash	57

Capítulo 4

Apéndice

Precauciones	58
Fenómenos típicos de CCD	59
Lista de mensajes	60
Especificaciones	61
Accesorios opcionales	65

Descripción general

Características

Imágenes de alta calidad

- El Exwave HAD^{TM1)} CCD²⁾ de alta densidad, de tipo 1/3 y tres chips, que contiene aproximadamente 380.000 (DXC-390) o 430.000 (DXC-390P) elementos de imagen efectivos (píxeles), ofrece una calidad de imagen superior: 800 líneas de TV de alta resolución horizontal, una alta sensibilidad de F8 a 2.000 lx, una excelente relación señal/ruido de 62 dB (DXC-390) o 61 dB (DXC-390P) y un bajo nivel de borrosidad.
- La adopción de la tecnología LSI de proceso de señales digitales reproduce una imagen más fina y detallada.
- El proceso DynaLatitude permite realizar ajustes finos del contraste según el nivel de la señal de luminancia de cada elemento de imagen.

- La función DCC+ (Control dinámico de contraste plus) minimiza los fenómenos en los que toda la pantalla se torna de color blanco o parte de la imagen pierde color al filmar un objeto con mucho brillo.
- La función de potenciación parcial permite ajustar sólo la nitidez y tinte de un color especificado.

Amplia gama de control de exposición

La función AGC (Control automático de ganancia) y la función CCD IRIS^{TM3)} permiten ajustar automáticamente una amplia gama de niveles de luz entrante. Cuando las condiciones de iluminación son malas, la función AGC aumenta la ganancia hasta 16 veces de forma automática. Si la luz entrante es excesiva, la función CCD IRIS ajusta

1) Exwave HADTM: Exwave Hole-Accumulated Diode “Exwave HADTM” es una marca comercial de Sony Corporation.

2) CCD: Dispositivo acoplado de carga

3) “CCD IRISTM” es una marca comercial de Sony Corporation.

automáticamente la velocidad del obturador para reducir la exposición al equivalente de hasta 10 paradas de apertura. Al utilizar la cámara de vídeo en una ubicación fija o con un sistema de microscopio, los controles AGC, CCD IRIS y de iris automático ajustan una amplia gama de niveles de luz entrante de forma automática. Es posible ajustar la ventana AE deseada mediante la función AE AREA MANUAL.

Amplia gama de modos de obturador electrónico

La amplia gama de velocidades del obturador electrónico minimiza la borrosidad en los objetos en rápido movimiento y produce imágenes fijas con un nivel de brillo aceptable a partir de objetos filmados con malas condiciones de luz.

- Modo sin parpadeo: Este modo permite obtener imágenes sin parpadeo incluso al filmar bajo una luz fluorescente.
- Modo de exploración nítida: Este modo reduce la aparición de bandas horizontales en las pantallas de ordenador al filmar la pantalla con la cámara de vídeo convencional.

Uso versátil con equipos externos

- La cámara de vídeo está equipada con tres tipos de salidas: compuesta, Y/C y RGB. La cámara ofrece una imagen de alta calidad en un monitor o videgrabadora conectada.
- Es posible controlar la cámara de forma remota con la unidad de control remoto RM-C950 (no suministrada).

Interfaz RS-232C

La cámara puede controlarse desde un ordenador mediante la interfaz RS-232C.

Para obtener información detallada, póngase en contacto con un proveedor Sony autorizado.

Compacta y ligera

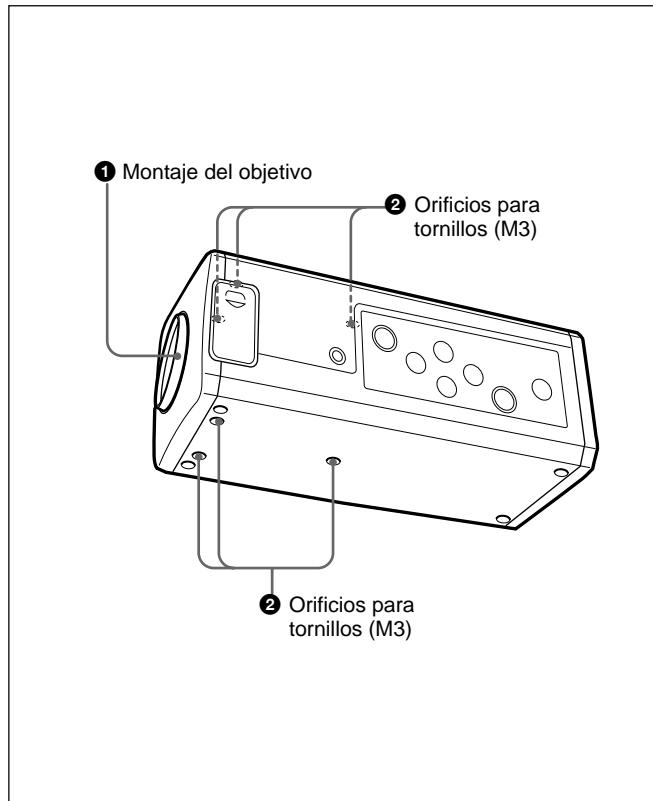
La cámara es compacta (56 × 50 × 128 mm (2 1/4 × 2 × 5 1/8 pulgadas)) y muy ligera (aprox. 370 g (13 oz)), lo cual facilita la instalación incluso cuando el espacio escasea.

Algunos ejemplos de aplicaciones para esta cámara son:

- Como dispositivo permanente en teatros, salas de conciertos, etc.
- Perspectivas a vuelo de pájaro para acontecimientos especiales
- Como cámara para un sistema de videoconferencias
- Como cámara para microscopios
- Como cámara de control de condiciones meteorológicas, montada en el tejado
- Como cámara de control para un laboratorio

Ubicación y función de componentes y controles

Panel frontal/superior/inferior



1 Montaje del objetivo (montaje C)

Fije un objetivo de montaje C o un adaptador de microscopio.

Nota

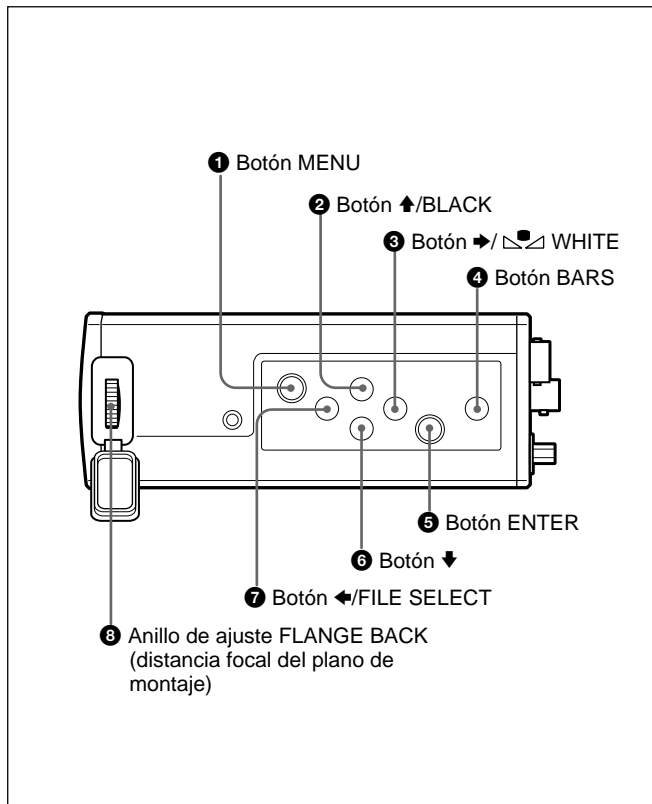
Asegúrese de utilizar un objetivo en el que la parte saliente desde la superficie del montaje del objetivo sea inferior a 4,3 mm. Si monta el objetivo con una parte saliente superior a 4,3 mm, puede dañar el mecanismo interno de la cámara.

2 Orificios para tornillos

Utilice estos orificios (M3, profundidad: 4 mm ($\frac{3}{16}$ pulgadas)) para fijar el adaptador para trípode suministrado a la cámara para montar ésta en una pared, un techo o un trípode.

Para obtener información sobre cómo instalar el adaptador para trípode, consulte “Montaje en un trípode” en la página 45.

Panel lateral derecho (panel de control)



1 Botón MENU

Muestra el menú MAIN en una pantalla de monitor. Vuelva a pulsarlo para salir del menú. Desde un menú de ajustes, pulse este botón para volver al menú MAIN.
Para obtener información sobre las operaciones de menú, consulte “Operaciones de menú” en la página 14.

2 Botón ▲/BLACK (balance de negro)

Mientras el menú está visible: Desplaza el cursor de menú hacia arriba. Utilice este botón también para un ajuste de ventana AE, etc.
Mientras la pantalla normal está visible: Activa el ajuste automático de balance de negro.

3 Botón ►/WHITE (balance de blancos)

Mientras el menú está visible: Aumenta el valor de ajuste o cambia el ajuste. Utilice este botón también para un ajuste de ventana AE, etc.
Mientras la pantalla normal está visible: Activa el ajuste automático de balance de blancos cuando MODE está ajustado en AWB dentro del menú WHITE BALANCE.

Ubicación y función de componentes y controles

4 Botón BARS (salida de barras de colores)

Envía la señal de barra de colores. Púlselo de nuevo para volver a enviar la señal de vídeo.

Para obtener información sobre el ajuste del monitor, póngase en contacto con un proveedor Sony autorizado.

5 Botón ENTER

Selecciona un menú de ajustes en el menú MAIN. Utilice este botón también para un ajuste de ventana AE, etc.

6 Botón ↓

Desplaza el cursor de menú hacia abajo. Utilice este botón también para un ajuste de ventana AE, etc.

7 Botón ←/FILE SELECT

Mientras el menú está visible: Disminuye el valor de ajuste o cambia el ajuste. Utilice este botón también para un ajuste de ventana AE, etc.

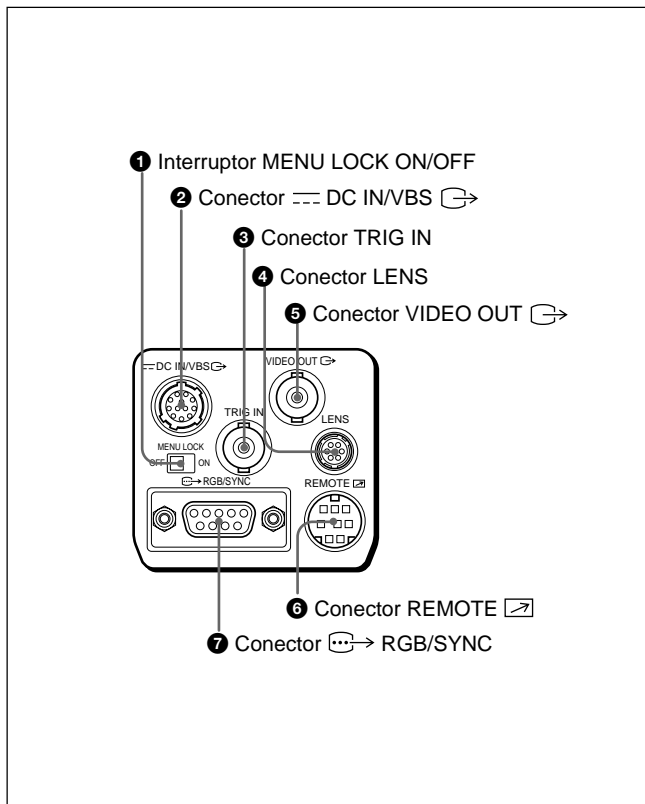
Mientras la pantalla normal está visible: Cambia entre los archivos predeterminados de usuario A y B.

8 Anillo de ajuste FLANGE BACK (distancia focal del plano de montaje)

Ajusta la distancia focal del plano de montaje de un objetivo no equipado con esta función.

Para obtener más información sobre el ajuste de la distancia focal del plano de montaje, consulte “Ajuste de la distancia focal del plano de montaje” en la página 32.

Panel posterior



1 Interruptor MENU LOCK ON/OFF

Si ajusta este interruptor en la posición ON, el menú no se mostrará en pantalla aunque pulse el botón MENU.

2 Conector  (entrada de CC/salida de señal de vídeo) (12 pines)

Se conecta al adaptador de cámara CMA-D2/D2MD/D2CE/D2MDCE/D3/D3CE. Introduce la alimentación de CC y envía la señal de vídeo.

3 Conector TRIG IN (tipo BNC)

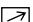
Se conecta a una unidad secundaria disponible en el mercado mediante la conversión al tipo BNC en el modo estroboscópico.

4 Conector LENS (6 pines)

Se conecta a un cable de control de objetivo cuando se fija el objetivo zoom especialmente diseñado para esta cámara.

5 Conector VIDEO OUT  (tipo BNC)

Envía una señal de vídeo compuesto.

6 Conector REMOTE  (mini DIN de 8 pines)

Se conecta a la unidad de control remoto RM-C950 (no suministrada).

7 Conector  RGB/SYNC (D-sub de 9 pines)

Envía señales RGB y sus respectivas señales de sincronización.

Emplee el cable de conexión CCXC-9DB/CCXC-9DD/CCMC-9DS para realizar la conexión al adaptador para cámara CMA-D2/D2MD/D2CE/D2MDCE.

Para la conexión con el adaptador de cámara CMA-D3/D3CE, utilice el cable de conexión CCMC-3MZ.

Funcionamiento

Ajustes de menú

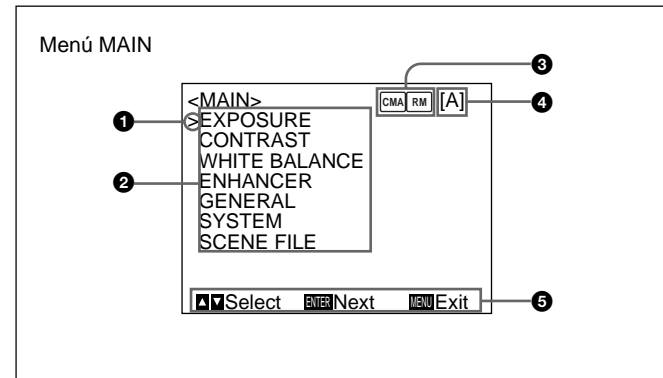
Los valores operativos de la cámara pueden cambiarse mediante el ajuste de los valores en los menús en pantalla. Dichos valores pueden ajustarse para obtener los mejores resultados posibles para las condiciones de filmación o para realzar la imagen con efectos especiales.

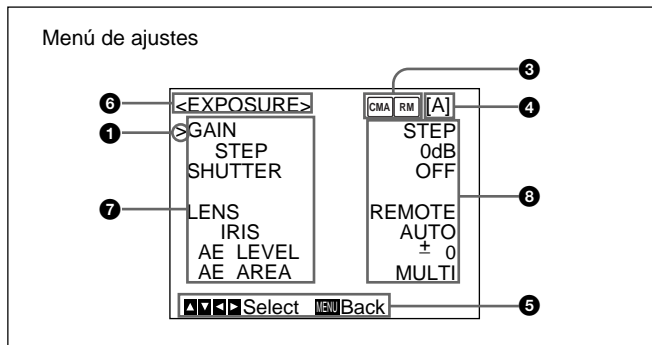
Configuración de menú

Antes de iniciar las operaciones de menú, asegúrese de que el interruptor MENU LOCK ON/OFF del panel posterior se encuentra en la posición OFF. Para mostrar un menú, pulse el botón MENU del panel lateral derecho. El menú MAIN se muestra en la pantalla del monitor. Se accede al menú de ajustes seleccionando el elemento de menú de ajustes con el botón \uparrow o \downarrow y pulsando el botón ENTER.

Acerca de los menús en pantalla

En esta sección se explica cómo leer el menú en pantalla antes de iniciar las operaciones de menú.





1 Cursor

Selecciona un menú de ajustes o elemento de ajuste. Desplace el cursor hacia arriba o abajo con el botón \uparrow o \downarrow .

2 Elementos de menú de ajustes

Tras seleccionar el elemento deseado con el botón \uparrow o \downarrow y pulsar el botón ENTER, aparece el menú de ajustes.

3 Condiciones de conexión

El indicador cambiará de acuerdo con el equipo que haya conectado al conector REMOTE de la cámara.

RM: cuando conecte la unidad de control remoto RM-C950

CMA: cuando conecte el adaptador de cámara CMA-D3/D3CE a través del cable de conexión CCMC-3MZ

CMA **RM**: cuando conecte el adaptador de cámara CMA-D3/D3CE a través del cable de conexión CCMC-3MZ, y la unidad de control remoto RM-C950 esté conectada a través del conector REMOTE de la CMA-D3/D3CE

4 Archivo predeterminado de usuario

Es posible almacenar dos tipos de ajustes predeterminados en los archivos A y B. Indica el archivo predeterminado que se encuentra seleccionado (A o B).

5 Mensaje operativo

Indica cómo utilizar el menú mostrado.

6 Menú de ajustes

Indica el menú de ajustes seleccionado.

7 Elementos de ajuste

Indica los elementos que pueden ajustarse en cada menú de ajustes.

Seleccione el elemento desplazando el cursor hasta el mismo con el botón \uparrow o \downarrow .

8 Ajuste los valores

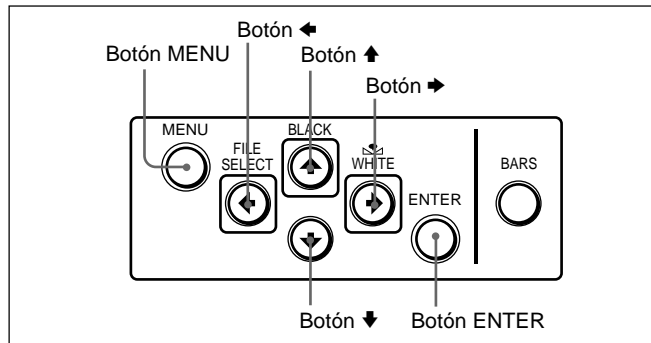
Se muestran los valores actuales.

Cambie los valores con el botón \leftarrow o \rightarrow .

Operaciones de menú

Botones para las operaciones de menú

Utilice el menú con los botones del panel lateral derecho.

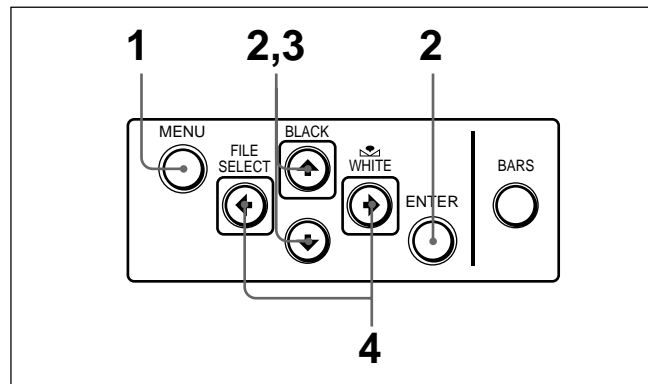


En la siguiente tabla se muestran las funciones de los botones.

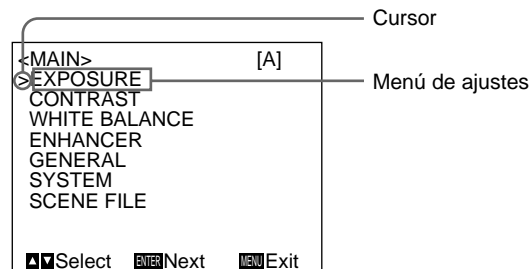
Botón	Función
MENU	Muestra el menú MAIN.
Botón ↑	Desplaza el cursor hacia arriba.
Botón ↓	Desplaza el cursor hacia abajo.
Botón ←	Cambia el ajuste/disminuye el valor.
Botón →	Cambia el ajuste/aumenta el valor.

Procedimiento para utilizar los menús

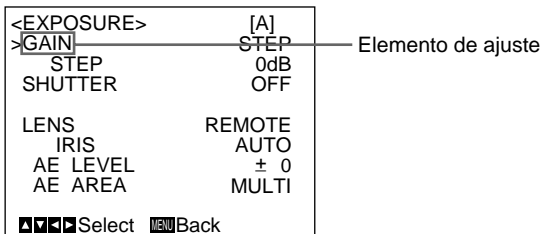
Para cambiar los ajustes del menú, proceda de la siguiente forma.



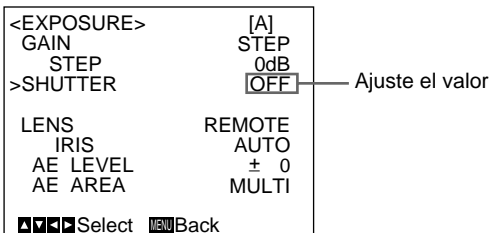
- 1 Pulse el botón MENU.
Aparecerá el menú MAIN.



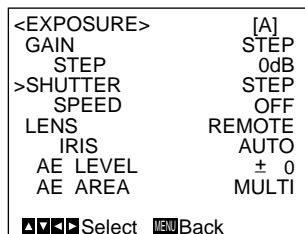
- 2** Desplace el cursor al elemento de menú que desee ajustar pulsando el botón **▲** o **▼** y, a continuación, el botón **ENTER**.
Aparece el menú de ajustes.



- 3** Desplace el cursor al elemento que desee ajustar pulsando el botón **▲** o **▼**.



- 4** Cambie el valor pulsando el botón **◀** o **▶**.
Para cambiar el valor rápidamente, mantenga pulsado el botón.



Para restaurar el valor inicial

Seleccione el elemento que desee restaurar y, a continuación, pulse simultáneamente los botones **◀** y **▶**.
Para obtener el valor inicial de cada elemento, consulte “Ajustes iniciales de los menús” en la página 31.

Para recuperar la pantalla normal

Pulse el botón **MENU** mientras está visible el menú **MAIN**. Mientras se encuentra visible cada menú de ajustes, pulse el botón **MENU** para volver al menú **MAIN** y vuelva a pulsarlo para volver a la pantalla normal.

Función de los menús

Menú EXPOSURE

Ajusta los elementos relacionados con la exposición, como la ganancia y el modo de obturador.

<EXPOSURE>	[A]
>GAIN	STEP
STEP	0dB
SHUTTER	OFF
LENS	REMOTE
IRIS	AUTO
AE LEVEL	± 0
AE AREA	MULTI
Select Back	

Ajuste de los elementos del menú EXPOSURE

Elemento de ajuste	Contenido del ajuste	Página de referencia
GAIN	Ajusta la ganancia de vídeo.	16
STEP	Ajusta el nivel de ganancia.	16
SHUTTER	Ajusta los modos del obturador electrónico.	16
LENS	Ajusta el modo de iris.	18
IRIS	Ajusta el iris de forma automática o manual.	19
AE LEVEL	Realiza el ajuste fino del punto de enfoque del ajuste de exposición automática.	19
AE AREA	Ajusta la ventana AE en el modo AGC, CCD IRIS o de ajuste automático del iris.	19

GAIN

Ajusta la ganancia de vídeo.

Selección	Función
STEP	Ajusta la ganancia de vídeo en el nivel deseado. Utilice este ajuste para filmar en un lugar extremadamente oscuro donde ni siquiera se obtiene una imagen con un nivel de brillo aceptable al abrir completamente el iris del objetivo. El nivel de ganancia puede ajustarse dentro del rango de 0 a 24 dB en incrementos de 1 dB.
AGC	Control automático de ganancia. Ajusta la ganancia automáticamente según el brillo del objeto que se vaya a filmar. Este ajuste resulta útil para filmar cuando pueden cambiar las condiciones de luz. Es posible seleccionar el nivel máximo de ganancia para ajustarlo en 6, 12, 18 o 24 dB con el ajuste LIMIT.
HYPER	Aumenta la ganancia de vídeo en aproximadamente 30 dB. Este ajuste resulta útil cuando la iluminación es escasa.

SHUTTER (obturador electrónico)

Selecciona los modos del obturador electrónico.

Esta función permite obtener imágenes sin borrosidad de objetos en rápido movimiento e imágenes con un nivel aceptable de brillo a partir de objetos filmados con malas condiciones de luz.

Selección	Función
OFF	No funciona ningún modo de obturador electrónico.
STEP	<p>Ajusta la velocidad del obturador a cualquiera de 15 pasos en el modo de larga exposición y 11 pasos en el modo de alta velocidad.</p> <p>Seleccione SPEED y ajuste la velocidad del obturador en uno de los siguientes valores:</p> <p>Modo de larga exposición: 0,1, 0,2, 0,3, 0,5, 1,0, 1,5, 2,0, 2,5, 3,0, 3,5, 4,0, 5,0, 6,0, 7,0 o 8,0 seg.</p> <p>Para ajustar la velocidad, muestre OFF pulsando simultáneamente los botones ◀ y ▶ y seleccione el valor deseado con el botón ▶. Con cada pulsación, la velocidad cambia en el orden mostrado anteriormente.</p> <p>Modo de alta velocidad: FL (sin parpadeo), 1/125, 1/250, 1/500, 1/1000, 1/2000, 1/4000, 1/10000, 1/20000, 1/40000, 1/100000</p> <p>Para ajustar la velocidad, muestre OFF pulsando simultáneamente los botones ◀ y ▶ y seleccione el valor deseado con el botón ◀. Con cada pulsación, la velocidad cambia en el orden mostrado anteriormente.</p> <p>Si utiliza la cámara en un área de iluminación de 50 Hz (DXC-390) o de 60 Hz (DXC-390P), el ajuste FL proporcionará imágenes sin parpadeo incluso bajo luz fluorescente.</p>

Selección	Función
VARIABLE	<p>Utilícelo para el ajuste fino del nivel de salida de vídeo en el modo de larga exposición (baja velocidad) o en el modo de exploración nítida (alta velocidad).</p> <p>Modo de larga exposición Es posible ajustar el valor de SPEED en incrementos de 1 fotograma. Por ejemplo, si lo ajusta en 50 fotogramas (unos 1,7 segundos), la señal de vídeo generada durante este tiempo se emite como un fotograma completo a intervalos de aproximadamente 1,7 segundos. Estas imágenes, que contienen 50 fotogramas de información de vídeo, tienen mucho más brillo que las imágenes normales de un fotograma. Este modo resulta útil para filmar objetos mal iluminados en lugares oscuros.</p> <p>Para ajustar la velocidad del obturador</p> <ol style="list-style-type: none"> 1 Pulse los botones ◀ y ▶ de forma simultánea para mostrar OFF. 2 Seleccione el valor de SPEED pulsando el botón ▶. Cada vez que pulse el botón, el valor cambiará en incrementos de 1 fotograma. <p>Para convertir el valor en la velocidad del obturador Ejemplo: Si el valor está ajustado en 5 fotogramas $5 \times 1/30 = 0,1666$ segundos (DXC-390) $5 \times 1/25 = 0,2000$ segundos (DXC-390P)</p> <p>Notas</p> <ul style="list-style-type: none"> • No utilice las funciones AGC, CCD-IRIS, ATW, DCC+ ni DYNALATITUDE en el modo de exposición larga. • Al ajustar la velocidad del obturador en 1 segundo o más, ajuste el nivel de ganancia en 0 dB.

(Continúa)

Selección	Función
VARIABLE (Continúa)	<p>Modo de exploración nítida Es posible ajustar la velocidad del obturador en incrementos de 1H (tiempo de barrido horizontal: 63,56 µs para DXC-390, 64,00 µs para DXC-390P). Seleccione SPEED y, a continuación, elija un valor de 1/525H a 262/525H (DXC-390) o de 1/625H a 312/625H (DXC-390P). Este modo puede emplearse para filmar pantallas de ordenador con bandas horizontales que reducen el tamaño de la pantalla.</p> <p>Para ajustar la velocidad del obturador 1 Pulse los botones ◀ y ▶ de forma simultánea para mostrar OFF. 2 Seleccione el valor de SPEED pulsando el botón ▶ mientras observa el ruido en la pantalla del monitor para poder obtener la imagen con un mínimo de ruido. Cada vez que pulse el botón, el valor cambiará en incrementos de 1H.</p> <p>Para convertir el valor en la velocidad del obturador Ejemplo: Si el valor está ajustado en 250H DXC-390: $250 \times 63,56 \mu\text{s} (1\text{H}) + 34,9 \mu\text{s} (\text{constante})$ $= 15924,9 \mu\text{s} = \text{Aprox. } 0,016 \text{ segundos}$ DXC-390P: $250 \times 64,00 \mu\text{s} (1\text{H}) + 35,0 \mu\text{s} (\text{constante})$ $= 16035,0 \mu\text{s} = \text{Aprox. } 0,016 \text{ segundos}$</p>
CCD-IRIS	Ajusta automáticamente el nivel de luminancia para obtener el nivel de salida óptimo. Si la luz entrante es excesiva, esta función ajusta automáticamente la velocidad del obturador para reducir la exposición al equivalente de hasta 10 paradas de apertura.

Selección	Función
CCD-IRIS (Continúa)	<p>Por ejemplo, esta función resulta útil para las aplicaciones de microscopio. Al filmar con un microscopio no equipado con un objetivo de iris automático, el nivel de luminancia adecuado para el ojo humano puede resultar demasiado brillante para la cámara de vídeo. Cuando CCD-IRIS se encuentra seleccionado, el obturador electrónico reduce automáticamente la luz incidental excesiva hasta un nivel apropiado para la cámara de vídeo. Esta función también resulta útil para eliminar la luz incidental excesiva no filtrada por el objetivo de iris automático en las escenas con zonas de mucho brillo (como nieve o agua de mar con luz solar reflejada). Puede seleccionar el valor límite más alto del rango variable de la velocidad de obturador. Seleccione LIMIT y, a continuación, ajuste la velocidad en 1/250, 1/500, 1/1000, 1/2000, 1/4000, 1/10000, 1/20000, 1/40000 o 1/100000.</p> <p>Nota No es posible utilizar el modo CCD-IRIS con un objetivo que ajuste automáticamente el control del iris según la señal de vídeo introducida.</p>

LENS

Selecciona el modo de iris.

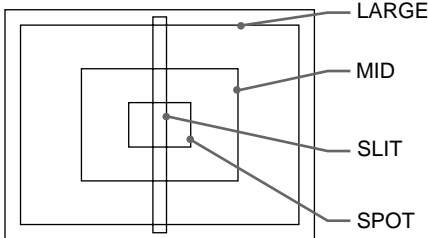
Selección	Función
VIDEO	<p>Selecciónelo al utilizar un objetivo que ajuste el iris automáticamente según la señal de vídeo introducida. Seleccione AE LEVEL y ajuste el punto de enfoque de exposición automática en el rango de -127 a +127.</p>
REMOTE	<p>Selecciónelo al emplear un objetivo que ajuste el iris en función de la alimentación de CC suministrada.</p>

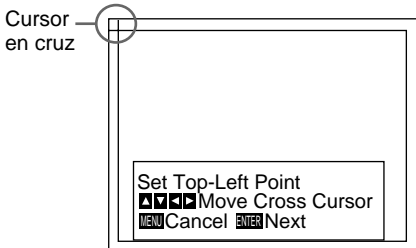
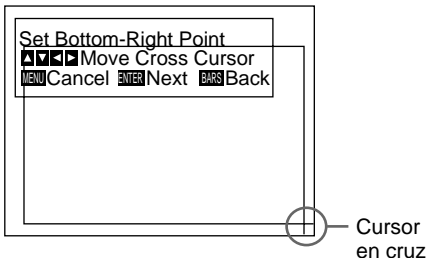
IRIS

Aparece cuando se ajusta LENS en REMOTE.
 Selecciona la manera de ajustar el iris. Es posible seleccionar AUTO o MANUAL.

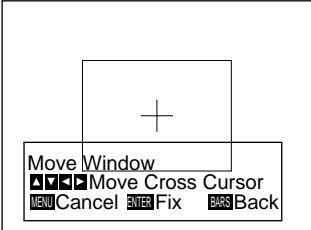
AUTO: Ajusta el iris de forma automática.

MANUAL: Ajusta el iris con el control IRIS de la unidad de control remoto RM-C950.

Selección	Función
AE LEVEL	Ajusta el punto de enfoque de exposición automática en el rango de -127 a +127.
AE AREA	<p>Ajusta la ventana AE (exposición automática) cuando la cámara se encuentra en el modo AGC, CCD IRIS o de control de iris automático.</p> <p>MULTI: Divide la pantalla en 9 secciones y ajusta la exposición automática según el nivel de luminancia de cada sección. Seleccione esta posición normalmente.</p> <p>LARGE, MID, SPOT y SLIT: Muestra las siguientes ventanas AE y ajusta la exposición automática según el nivel de luminancia de cada área.</p> 

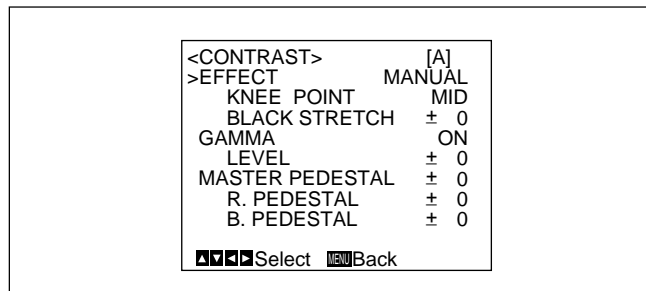
Selección	Función
AE AREA (Continúa)	<p>MANUAL: Ajusta la ventana AE en pantalla con el tamaño y posición deseados. Siga estos pasos.</p> <p>1 Seleccione MANUAL y presione el botón ENTER.</p>  <p>2 Desplace el cursor en cruz que aparece en la esquina superior izquierda con el botón ←, →, ↑ o ↓ para ajustar el tamaño de las partes superior e izquierda y pulse el botón ENTER.</p> 

(Continúa)

Selección	Función
AE AREA (Continúa)	<p>3 Desplace el cursor en cruz que aparece en la esquina inferior derecha con el botón ◀, ▶, ▲ o ▼ para ajustar el tamaño de las partes inferior y derecha y pulse el botón ENTER.</p>  <p>4 Desplace la ventana AE hasta la posición deseada con el botón ◀, ▶, ▲ o ▼ y pulse el botón ENTER.</p> <p>Nota Para cancelar el ajuste antes de finalizar el procedimiento, pulse el botón MENU.</p>
AE SPEED	<p>Ajusta la velocidad de enfoque de exposición automática en el modo AGC, CCD IRIS o de control de iris automático. Elige entre MID (velocidad normal), FAST (velocidad rápida) y SLOW (velocidad lenta).</p> <p>Nota Si se produce un desplazamiento del objetivo, realice el ajuste con AE SPEED.</p>
AE DETECT	<p>Elige el método de detección del nivel de luminancia de la ventana AE seleccionada. AVERAGE: Selecciona la detección del nivel medio de luminancia de la ventana AE entera. PEAK: Selecciona la detección de la parte con el nivel más alto de luminancia.</p>

Menú CONTRAST

Ajusta el contraste de la imagen.



Ajuste de los elementos del menú CONTRAST

Elemento de ajuste	Contenido del ajuste	Página de referencia
EFFECT	Relación con el nivel de luminancia incidental.	21
KNEE POINT	Ajusta el punto de acodado.	21
BLACK STRETCH	Ajusta la luminancia de una zona oscura de la pantalla.	21
GAMMA	Activa la compensación gamma.	21
LEVEL	Ajusta el nivel de gamma.	21
MASTER PEDESTAL	Ajusta el nivel de pedestal de la señal de salida.	21
R./B. PEDESTAL	Ajuste fino del nivel de pedestal.	22

EFFECT

Selecciona el ajuste adecuado para los niveles de luminancia incidentales.

Selección	Función
MANUAL	<p>Selecciona el ajuste de KNEE POINT o BLACK STRETCH.</p> <p>KNEE POINT Ajusta el punto acodado según los niveles de luz entrantes. OFF: El proceso de acodado no funciona. HIGH: Ajusta el punto acodado en el nivel más alto. MID: Normalmente seleccione esta posición. LOW: Ajusta el punto acodado en el nivel más bajo.</p> <p>BLACK STRETCH Ajusta la luminancia de la zona oscura de la pantalla. Es posible ajustar este valor dentro del rango de -10 a +10. Cuanto más alto sea el valor, más brillante será la pantalla.</p>
DCC+	Al filmar un objeto muy brillante, la pantalla entera puede quedarse en blanco o una parte de la imagen puede perder su color. Este ajuste minimiza estos fenómenos.
DYNA-LATITUDE	<p>Ajusta el contraste según el nivel de luminancia de cada elemento de imagen. Este ajuste resulta útil para filmar escenas con una mezcla de zonas brillantes y oscuras.</p> <p>Es posible ajustar el nivel dentro del rango de -10 a +10.</p>

GAMMA

Activa la compensación gamma.

Selección	Función
OFF	Emite la señal de vídeo de forma lineal sin compensación gamma. Utilice este ajuste si desea generar imágenes para su proceso o análisis.
ON	<p>Compensa las características de reproducción de los tubos de rayos catódicos para generar imágenes con tonos naturales.</p> <p>Seleccione LEVEL y realice el ajuste para obtener una imagen con tonos naturales. El rango ajustable es de -10 a +10.</p>

MASTER PEDESTAL

Los niveles de pedestal de las señales de salida G, B y R pueden ajustarse de forma simultánea.

Ajusta el nivel de oscuridad de la parte negra de la imagen. Utilice esta función para resaltar los detalles en las áreas con mucha sombra. El rango ajustable es de -127 a +127. Normalmente ajústelo en ± 0 . El uso de un monitor de forma de onda facilita el ajuste.

(Continúa)

Ajustes de menú

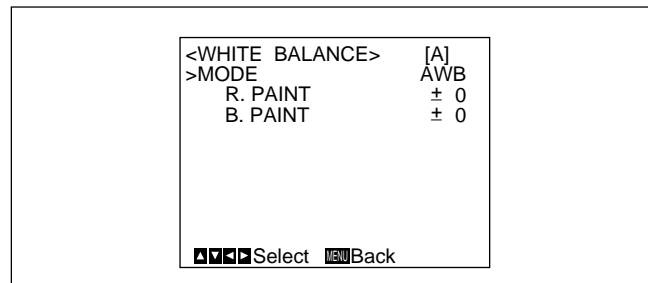
Ajuste de la dirección	Efecto
+	Toda la pantalla se vuelve más blanca.
-	Toda la pantalla se vuelve más negra.

R. (rojo) PEDESTAL, B. (azul) PEDESTAL

Utilice estos elementos para realizar el ajuste fino del nivel de pedestal de cada color. Observe la pantalla del monitor mientras realiza el ajuste. Para el ajuste fino de estos elementos, es posible utilizar el rango de -127 a +127.

Menú WHITE BALANCE

Ajusta el balance de blancos.



Ajuste de los elementos del menú WHITE BALANCE

Elemento de ajuste	Contenido del ajuste	Página de referencia
MODE	Selecciona los modos de balance de blancos.	23
R./B. PAINT	Realiza el ajuste fino del balance de blancos (AWB, ATW).	23

MODE

Selecciona los modos de balance de blancos.

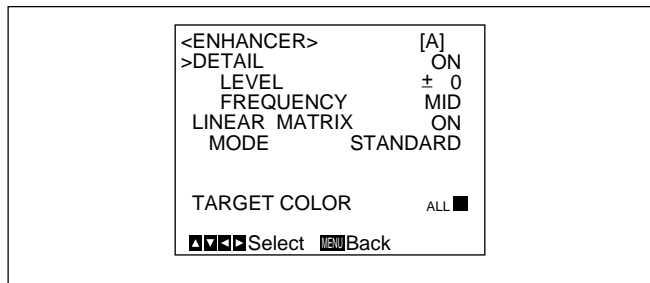
Selección	Función
AWB	<p>Ajusta el balance de blancos de forma automática (balance de blancos automático). Cuando este elemento está seleccionado, se muestran R. PAINT y B. PAINT. Utilice estos elementos para un ajuste fino. Ajústelos mientras observa la pantalla del monitor.</p> <p>R. PAINT: Realiza el ajuste fino del rojo en el rango de -100 a +100.</p> <p>B. PAINT: Realiza el ajuste fino del azul en el rango de -100 a +100.</p> <p><i>Para obtener información detallada, consulte "Ajuste del balance de blancos" en la página 39.</i></p>
ATW NORMAL o ATW WIDE	<p>Activa el balance de blancos de seguimiento automático. Este modo resulta idóneo para la filmación con cambios de la fuente de luz. El balance de blancos se ajusta automáticamente conforme cambia la temperatura del color. Normalmente, ajústelo en ATW NORMAL. El ajuste ATW WIDE puede hacer frente a una gama más amplia de cambios de temperatura de color. Cuando se seleccionan estos elementos, se muestran R. PAINT, B. PAINT, AREA y SPEED. Utilice estos elementos para un ajuste fino. Ajústelos mientras observa la pantalla del monitor. Los valores ajustados se almacenan en la memoria, excepto los valores AWB.</p> <p>R. PAINT: Realiza el ajuste fino del rojo en el rango de -10 a +10.</p> <p>B. PAINT: Realiza el ajuste fino del azul en el rango de -10 a +10.</p>

Selección	Función
ATW NORMAL o ATW WIDE (Continúa)	<p>AREA: Aparece una ventana de detección en la pantalla del monitor. Normalmente, ajústelo en NORMAL para detectar el nivel de luminancia medio de toda la pantalla. Si desea mostrar la ventana deseada, ajústelo en MANUAL y siga estos pasos.</p> <ol style="list-style-type: none"> 1 Pulse el botón ENTER. 2 Desplace el cursor en cruz superior izquierdo con el botón ◀, ▶, ▲ o ▼ para ajustar el tamaño de las partes superior e izquierda y pulse el botón ENTER. 3 Desplace el cursor en cruz inferior derecho con el botón ◀, ▶, ▲ o ▼ para ajustar el tamaño de las partes inferior y derecha y pulse el botón ENTER. 4 Desplace la ventana hasta la posición deseada de la pantalla con el botón ◀, ▶, ▲ o ▼ y pulse el botón ENTER. <p>SPEED: Ajusta la velocidad de enfoque. Es posible seleccionar SLOW (velocidad lenta), MID (velocidad normal) o FAST (velocidad rápida).</p>
MANUAL	<p>Utilícelo para el ajuste manual del balance de blancos. Cuando este elemento está seleccionado, se muestran R. GAIN y B. GAIN. Ajústelos mientras observa la pantalla del monitor.</p> <p>R. GAIN: Realiza el ajuste fino de la ganancia de rojo en el rango de -127 a +127.</p> <p>B. GAIN: Realiza el ajuste fino de la ganancia de azul en el rango de -127 a +127.</p>
3200K	<p>Realiza la selección para la filmación interior. (Temperatura de color: 3200K)</p>
5600K	<p>Realiza la selección para la filmación exterior. (Temperatura de color: 5600K)</p>

Ajustes de menú

Menú ENHANCER

Ajusta la nitidez del contorno de la imagen y el tono de color.



Ajuste de los elementos del menú ENHANCER

Elemento de ajuste	Contenido del ajuste	Página de referencia
DETAIL	Se activa o desactiva para ajustar la nitidez del contorno de la imagen.	24
LEVEL	Ajusta la nitidez del contorno de la imagen.	24
FREQUENCY	Ajusta la nitidez del contorno detallado de la imagen.	24
LINEAR MATRIX	Activa o desactiva el proceso de una matriz de color.	25
MODE	Realiza el ajuste fino del tono de color.	25
TARGET COLOR	Especifica el color para los ajustes de DETAIL o LINEAR MATRIX.	25

DETAIL

Activa o desactiva el ajuste de la nitidez del contorno de la imagen.

Selección	Función
ON	Activa el ajuste de la nitidez del contorno de la imagen.
OFF	Desactiva el ajuste de la nitidez del contorno de la imagen.

Si ajusta DETAIL en ON, se muestran LEVEL y FREQUENCY.

Ajuste la nitidez del contorno de la imagen en función de la finalidad de la filmación y su gusto personal.

Selección	Función
LEVEL	Ajusta el nivel en el rango de -127 a +127. El nivel inferior reduce la nitidez del contorno de la imagen y suaviza la imagen. El nivel superior aumenta la nitidez del contorno de la imagen, creando una imagen más nítida.
FREQUENCY	Selecciona el nivel de frecuencia con el que el contorno de la imagen se ajusta en LOW (nivel de frecuencia más bajo), MID (nivel de frecuencia medio) o HIGH (nivel de frecuencia más alto). El ajuste más alto proporciona un contorno más nítido para las imágenes detalladas.

LINEAR MATRIX

Procesa una imagen con una matriz de color para cambiar la saturación de crominancia y el tono con el fin de reproducir un color natural.

Selección	Función
ON	Corrige el color para reproducir el color natural.
OFF	La corrección de color no funciona. Utilícelo si desea procesar la imagen.

Si ajusta LINEAR MATRIX en ON, se muestra MODE. Es posible ajustar el color apropiado para un objeto. Si ajusta MODE en MANUAL, aparecerán R. PAINT, G. PAINT y B. PAINT.

Selección	Función
STANDARD	Normalmente seleccione este ajuste.
R ENHANCE	Potencia el rojo.
B ENHANCE	Potencia el azul.
G ENHANCE	Potencia el verde.
MANUAL	Realiza el ajuste fino de cada color. R. PAINT: Realiza el ajuste fino del rojo en el rango de -30 a +30. G. PAINT: Realiza el ajuste fino del verde en el rango de -30 a +30. B. PAINT: Realiza el ajuste fino del azul en el rango de -30 a +30.

TARGET COLOR

Selecciónelo al ajustar DETAIL o LINEAR MATRIX para un color específico.

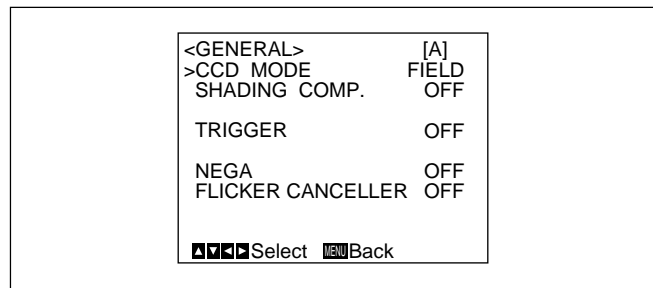
Selección	Función
ALL	Ajusta DETAIL o LINEAR MATRIX para toda la imagen. Seleccione esta posición normalmente.
IN	Ajusta DETAIL o LINEAR MATRIX para un color específico. Con el ajuste RANGE es posible realizar el ajuste fino del área en el rango de -10 a +10.
OUT	Ajusta DETAIL o LINEAR MATRIX para un color distinto del especificado. Con el ajuste RANGE es posible realizar el ajuste fino del área en el rango de -10 a +10.

Cómo especificar un color

- 1 Seleccione IN o OUT y pulse el botón ENTER.
- 2 Desplace el cursor en cruz (⊕) que aparece en el centro de la pantalla hasta el color deseado con el botón ◀, ▶, ▲ o ▼ de forma que el cuadrado de dicho cursor cubra el color que desee y, a continuación, pulse el botón ENTER.
Si selecciona IN, puede ajustar el color indicado por el cursor en cruz (⊕).
Si selecciona OUT, puede ajustar los colores no señalados con el cursor en cruz.

Menú GENERAL

Ajusta los elementos generales.



Ajuste de los elementos del menú GENERAL

Elemento de ajuste	Contenido del ajuste	Página de referencia
CCD MODE	Selecciona el modo de lectura CCD.	26
SHADING COMP.	Elimina el color de las zonas superior e inferior de la pantalla.	26
TRIGGER	Ajusta la polaridad al conectar una unidad secundaria para su sincronización con un estroboscopio.	27
NEGA	Invierte la imagen de salida a negativo.	27
FLICKER CANCELLER	Reduce el parpadeo cuando SHUTTER se ajusta en CCD IRIS u OFF.	27

CCD MODE

Selecciona el modo de lectura CCD.

Selección	Función
FIELD	Acumula cargas en unidades de campo. Se emplea para filmar objetos en movimiento.
FRAME	Acumula cargas en unidades de fotograma. Genera la imagen con la resolución vertical más alta posible. Se emplea para filmar objetos fijos.

SHADING COMP. (compensación)

Elimina el color verde o magenta que puede aparecer en la parte superior o inferior de la pantalla cuando la cámara se utiliza con un instrumento óptico.

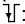

Selección	Función
OFF	La eliminación de color no funciona.
ON	Si aparece un color verde o magenta en la parte superior o inferior de la pantalla cuando la cámara se encuentra conectada a un microscopio, etc., seleccione este ajuste.

Si ajusta SHADING COMP. en ON, se muestra LEVEL. Observe la pantalla mientras realiza el ajuste para eliminar el color. El rango ajustable es de -127 a $+127$.

Ajuste de la dirección	Efecto
+	Se eliminarán el color verde de la parte superior y el color magenta de la parte inferior.
-	Se eliminarán el color magenta de la parte superior y el color verde de la parte inferior.

TRIGGER

Ajústelo si utiliza una unidad secundaria conectada al conector TRIG IN y sincroniza la cámara con un estroboscopio.

Selección	Función
OFF	Selecciónelo si no conecta ninguna unidad secundaria.
ON	Selecciónelo si conecta una unidad secundaria. Seleccione POLARITY y ajústelo en la misma polaridad que la señal de impulsos de entrada.  : Flanco descendente  : Flanco ascendente

NEGA

Invierte la imagen de salida a negativo/positivo.

Selección	Función
OFF	Envía la imagen normalmente.
ON	Envía la imagen invertida a negativo/positivo.

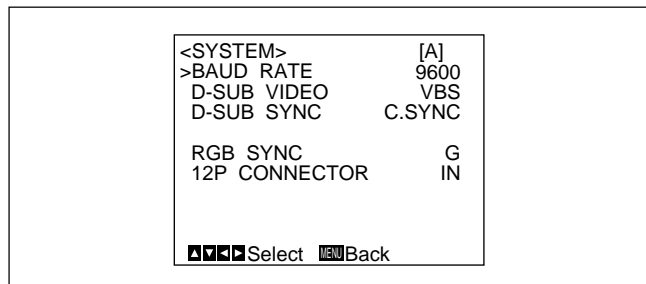
FLICKER CANCELLER

Si utiliza la cámara en un área de iluminación de 50 Hz (DXC-390) o de 60 Hz (DXC-390P), podrá obtener imágenes con menos parpadeo bajo luz fluorescente incluso cuando SHUTTER esté ajustado en CCD IRIS o en OFF. Ajuste este elemento en OFF si desea ajustar NEGA en ON.




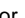
Selección	Función
OFF	Desactiva la función FLICKER CANCELLER.
ON	Reduce el parpadeo.

Menú SYSTEM

Ajusta los elementos relacionados con el sistema de la cámara y la selección de señales de salida.



Ajuste de los elementos del menú SYSTEM

Elemento de ajuste	Contenido del ajuste	Página de referencia
BAUD RATE	Selecciona la velocidad de línea en baudios.	28
D-SUB VIDEO	Cambia la señal de vídeo enviada desde el conector  → RGB/SYNC (D-sub de 9 pines).	28
D-SUB SYNC	Cambia la señal de sincronización enviada desde el conector  → RGB/SYNC (D-sub de 9 pines).	28
RGB SYNC	Añade una señal de sincronización a la salida de RGB.	29
12P CONNECTOR	Cambia la entrada y salida del conector  DC IN/VBS  y selecciona la señal de salida.	29


(Continúa)

Ajustes de menú

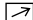
Elemento de ajuste	Contenido del ajuste	Página de referencia
(VBS lock) H. PHASE* SC. PHASE ROUGH* SC. PHASE FINE*	Ajusta las fases horizontal y SC (subportadora) durante la sincronización externa (con entrada de señal VBS).	29
(HD/VD lock) H. PHASE*	Ajusta la fase horizontal durante la sincronización externa (con la entrada de señal HD/VD).	29

* Sólo se muestra cuando se introduce una señal de sincronización externa.

BAUD RATE

Cambia la velocidad de línea en baudios del conector REMOTE  en el panel posterior.


Puede ajustarse en 19200, 9600, 4800, 2400 o 1200.

Normalmente, ajústelo en 9600 si la unidad de control remoto RM-C950 se encuentra conectada al conector REMOTE .

Nota

Cuando haya conectado el adaptador CMA-D3/C3CE a la cámara utilizando el cable de conexión CCMC-3MZ, aparecerá “CMA-D3” y usted no podrá seleccionar la velocidad en baudios.

D-SUB VIDEO


Cambia la señal de vídeo enviada desde el conector  RGB/SYNC (D-sub de 9 pines) del panel posterior.

Selección	Función
VBS	Envía la señal VBS.
Y/C	Envía la señal Y/C.

Nota

Cuando haya conectado el adaptador CMA-D3/C3CE a la cámara utilizando el cable de conexión CCMC-3MZ, este elemento no funcionará.

D-SUB SYNC


Cambia la señal de sincronización enviada desde el conector  RGB/SYNC (D-sub de 9 pines) del panel posterior.


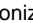
Selección	Función
C.SYNC	Envía la señal de sincronización compuesta.
WEN	Envía la señal WEN. Al conectar equipos periféricos, la señal se emplea como impulso activador enviado a los equipos. Seleccione la polaridad de la señal WEN con el ajuste POLARITY. ⌋: Negativo ⌋: Positivo

Nota

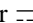

Cuando haya conectado el adaptador CMA-D3/C3CE a la cámara utilizando el cable de conexión CCMC-3MZ, este elemento se fijará a WEN.

RGB SYNC

Añade una señal de sincronización a la señal G o a las señales R, G y B enviadas desde el conector  RGB/SYNC.

Selección	Función
OFF	No se añade ninguna señal de sincronización a una señal de salida.
G	Añade una señal de sincronización a la señal G enviada desde el conector  RGB/SYNC.
RGB	Añade las señales de sincronización añadidas a las señales G, B y R enviadas desde el conector  RGB/SYNC.

12P CONNECTOR

Cambia la entrada y salida del conector  DC IN/VBS  (12 pines). Selecciona la señal de salida desde este conector cuando OUT se encuentra seleccionado.

Selección	Función
IN	Funciona como el conector de entrada.
OUT	Funciona como el conector de salida. Seleccione la señal de salida con el ajuste SIGNAL. HD/VD: Envía la señal HD/VD. C. SYNC: Envía la señal de sincronización compuesta.

Nota

Cuando haya conectado el adaptador CMA-D3/C3CE a la cámara utilizando el cable de conexión CCMC-3MZ, no podrá utilizar este elemento. Cambien entre entrada y salida con el selector IN/OUT del adaptador cámara CMA-D3/D3CE.

Con respecto a los detalles, consulte el manual de instrucciones del CMA-D3/D3CE.

Bloqueo VBS

Sólo aparece cuando se introduce una señal de sincronización externa de referencia (señal VBS). Ajusta las fases horizontal y SC (subportadora) para sincronizar la operación de la cámara con la señal de referencia.

Selección	Función
H.PHASE	Ajusta la fase horizontal dentro del rango de -20 a +127.
SC.PHASE ROUGH	Ajusta la fase subportadora de forma aproximada ajustándola en 0° o 180°.
SC.PHASE FINE	Realiza el ajuste fino de la fase subportadora dentro del rango de -127 a +127.

Bloqueo HD/VD

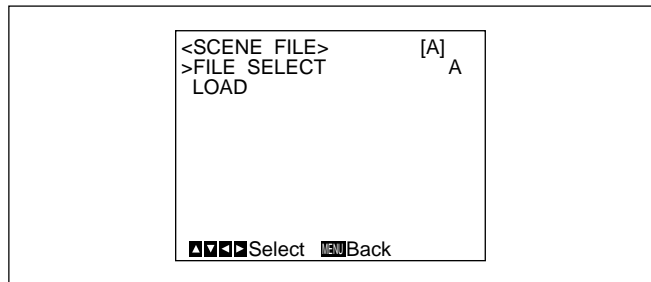
Sólo aparece cuando se introduce una señal de sincronización externa de referencia (señal HD/VD). Ajusta la fase horizontal para sincronizar la operación de la cámara con la señal de referencia.

Seleccione H.PHASE y, a continuación, ajuste el nivel dentro del rango de -20 a +127.

Menú SCENE FILE

Ajusta los valores del menú predeterminado.

La cámara cuenta con dos archivos de memoria (A y B) para almacenar los ajustes de menú. Es posible almacenar un tipo de ajuste distinto en cada archivo y cambiar rápidamente al archivo más apropiado para las condiciones de filmación. El archivo de memoria seleccionado se muestra en la esquina superior derecha del menú en pantalla.



Ajuste de los elementos del menú SCENE FILE

Elemento de ajuste	Contenido del ajuste	Página de referencia
FILE SELECT	Selecciona el archivo donde se almacenará el ajuste.	30
LOAD	Selecciona el tipo de ajuste que se almacenará y lo carga.	30

FILE SELECT

Selecciona el archivo A o B.

LOAD

Define el ajuste que se almacenará en el archivo seleccionado con FILE SELECT y almacena el ajuste.

Selección	Tipo de ajuste
STANDARD	Idóneo para una cámara instalada en un lugar fijo.
MICROSCOPE	Apropiado para una cámara utilizada con un microscopio.
FULL AUTO	Ajusta los valores de forma automática.
STROBE	Idóneo para la filmación estroboscópica.
FILE B (o A)	Al copiar los ajustes entre dos archivos.

Almacenamiento del ajuste

- 1 Seleccione A o B, el archivo que haya elegido para almacenar el ajuste con FILE SELECT.
- 2 Pulse el botón **↑** o **↓** para seleccionar LOAD.
- 3 Pulse el botón **←** o **→** para seleccionar el ajuste que desee almacenar y pulse el botón ENTER. Aparece el mensaje "Overwrite OK?".
- 4 Pulse el botón ENTER.
Si no desea almacenar el ajuste, pulse el botón MENU.

Ajustes iniciales de los menús

Si desea restaurar los ajustes y valores iniciales, pulse los botones ◀ y ▶ de forma simultánea.

Menú de ajustes	Elemento de ajuste	Ajuste inicial
EXPOSURE	GAIN	STEP
	STEP	0 dB
	SHUTTER	OFF
	STEP	OFF
	LENS	REMOTE
	IRIS	MANUAL
CONTRAST	AE LEVEL	± 0
	AE AREA	MULTI
	EFFECT	MANUAL
	KNEE POINT	MID
	BLACK STRETCH	± 0
	GAMMA	ON
	LEVEL	± 0
	MASTER PEDESTAL	± 0
R. PEDESTAL	± 0	
B. PEDESTAL	± 0	

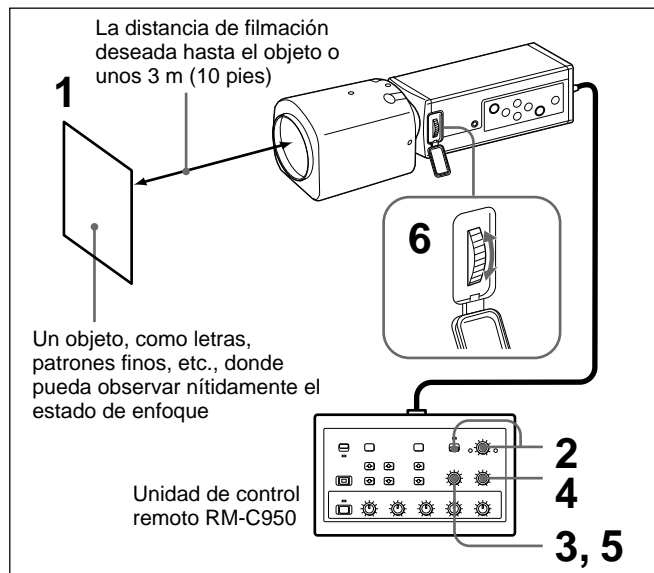
Menú de ajustes	Elemento de ajuste	Ajuste inicial
WHITE BALANCE	MODE	AWB
	R. PAINT	± 0
	B. PAINT	± 0
ENHANCER	DETAIL	ON
	LEVEL	± 0
	FREQUENCY	MID
	LINEAR MATRIX	ON
GENERAL	MODE	STANDARD
	TARGET COLOR	ALL
	CCD MODE	FIELD
	SHADING COMP.	OFF
	TRIGGER	OFF
SYSTEM	NEGA	OFF
	FLICKER CANCELLER	OFF
	BAUD RATE	9600
	D-SUB VIDEO	VBS
	D-SUB SYNC	C.SYNC
	RGB SYNC	G
12P CONNECTOR	IN	
	H. PHASE*	± 0
	SC PHASE ROUGH*	0°
SC PHASE FINE*	± 0	

* Solo se muestra cuando se introduce una señal de sincronización externa.

Ajuste de la distancia focal del plano de montaje

En esta sección se explica cómo ajustar la distancia focal del plano de montaje (distancia entre el plano de montaje del objetivo y un objeto). El método de ajuste varía según el objetivo utilizado.

Si utiliza el objetivo zoom VCL-610WEA



A continuación se muestra un ejemplo del ajuste de la distancia focal del plano de montaje con la unidad de control remoto RM-C950. Ajuste la distancia focal del plano de montaje con el anillo de ajuste FLANGE BACK (distancia focal del plano de montaje) de la cámara.

Nota

Asegúrese de abrir completamente el iris antes de ajustar la distancia focal del plano de montaje.

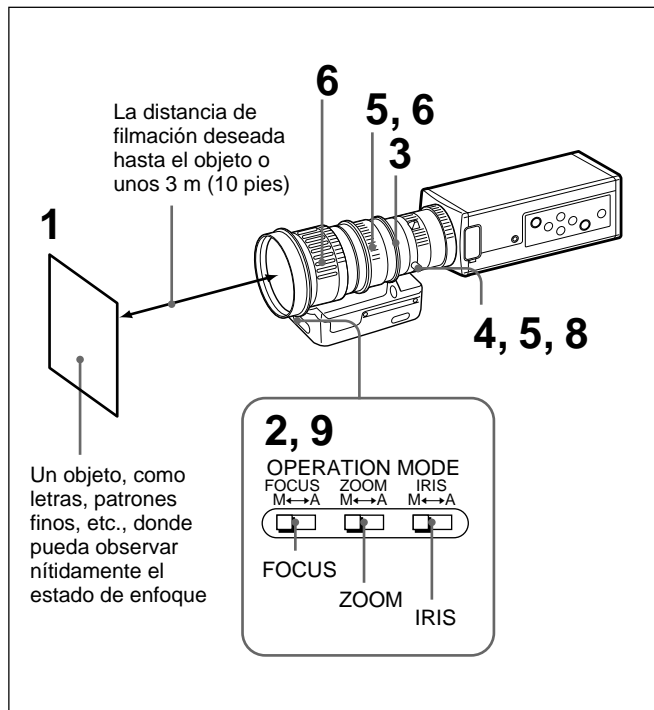
- 1 Apunte la cámara hacia un objeto que se encuentre a la distancia de filmación deseada o a unos 3 m (10 pies).
- 2 Ajuste el mando IRIS AUTO/MANUAL en MANUAL y, a continuación, gire el mando IRIS hacia OPEN todo lo que pueda.
- 3 Gire el mando ZOOM hacia TELE (telefoto) todo lo que pueda.
- 4 Ajuste el enfoque sobre el objeto utilizado en el paso 1 girando el mando FOCUS.
- 5 Gire el mando ZOOM hacia WIDE (gran angular) todo lo que pueda.
- 6 Ajuste el enfoque sobre el objeto utilizado en el paso 1 girando el anillo de ajuste FLANGE BACK (distancia focal del plano de montaje) de la cámara.
- 7 Repita los pasos 3 a 6 hasta que obtenga un enfoque nítido en las posiciones de telefoto y de gran angular.

Ha terminado el ajuste de la distancia focal del plano de montaje.

No necesitará volver a ajustar la distancia focal del plano de montaje a menos que sustituya el objetivo.

Si utiliza el objetivo zoom VCL-614WEA

No necesita emplear el anillo de ajuste FLANGE BACK (distancia focal del plano de montaje) de la cámara.



Nota

Asegúrese de abrir completamente el iris antes de ajustar la distancia focal del plano de montaje.

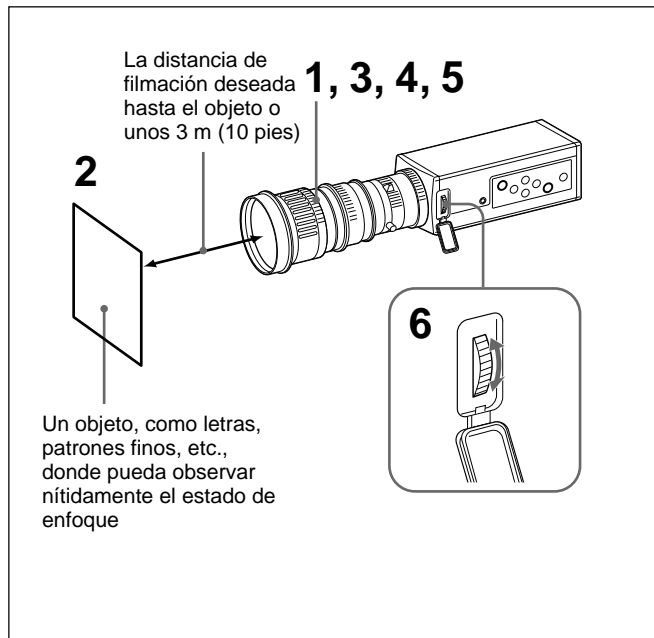
- 1 Apunte la cámara hacia un objeto que se encuentre a la distancia de filmación deseada o a unos 3 m (10 pies).
- 2 Ajuste los interruptores FOCUS, ZOOM, IRIS M/A del objetivo en la posición M (Manual) con un objeto puntiagudo.
- 3 Gire el anillo de iris hasta 1.4 (abierto).
- 4 Gire el tornillo de fijación del anillo de ajuste F.f hacia la izquierda para aflojarlo.
- 5 Gire el anillo ZOOM en el sentido de las agujas del reloj para alinear 5.5 (gran angular) con la línea blanca y, a continuación, gire el anillo de ajuste F.f sujetando el tornillo de fijación F.f para ajustar el enfoque sobre el objeto utilizado en el paso 1.
- 6 Gire el anillo ZOOM en el sentido contrario a las agujas del reloj para alinear 77 (telefoto) con la línea blanca y, a continuación, ajuste el enfoque sobre el objeto.
- 7 Repita los pasos 5 y 6 hasta que obtenga un enfoque nítido en las posiciones de telefoto y de gran angular.
- 8 Gire el tornillo de fijación del anillo de ajuste F.f en el sentido de las agujas del reloj para apretarlo firmemente.
- 9 Ajuste los interruptores FOCUS, ZOOM, IRIS M/A del objetivo en la posición A (Automático).

Ha terminado el ajuste de la distancia focal del plano de montaje.

No necesitará volver a ajustar la distancia focal del plano de montaje a menos que sustituya el objetivo.

Si utiliza un objetivo zoom no equipado con la función de ajuste de la distancia focal del plano de montaje

Ajuste la distancia focal del plano de montaje con el anillo de ajuste FLANGE BACK (distancia focal del plano de montaje) de la cámara.

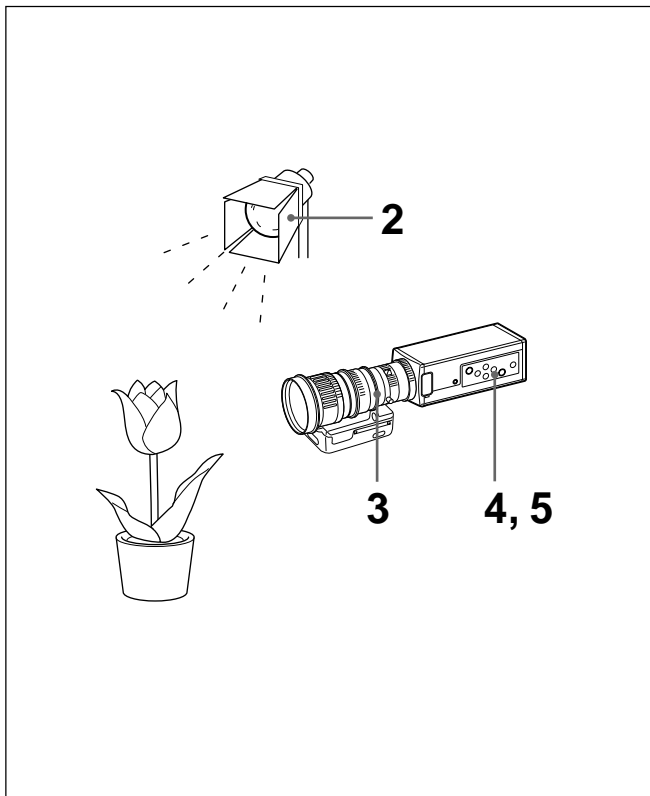


- 1** Abra completamente el iris si el objetivo está provisto de anillo de iris.
Si utiliza un objetivo de iris automático, ilumine el objeto adecuadamente para que el iris se encuentre abierto.
- 2** Apunte la cámara hacia un objeto que se encuentre a la distancia de filmación deseada o a unos 3 m (10 pies).
- 3** Gire el anillo de zoom hacia TELE (telefoto) todo lo que pueda.
- 4** Ajuste el enfoque sobre el objeto utilizado en el paso 2 girando el mando de enfoque del objetivo.
- 5** Gire el anillo de zoom hacia WIDE (gran angular) todo lo que pueda.
- 6** Ajuste el enfoque sobre el objeto utilizado en el paso 2 girando el anillo de ajuste FLANGE BACK (distancia focal del plano de montaje) de la cámara.
No gire el anillo de enfoque del objetivo durante el ajuste.
- 7** Repita los pasos 3 a 6 hasta que obtenga un enfoque nítido en las posiciones de telefoto y de gran angular.

Ha terminado el ajuste de la distancia focal del plano de montaje.

No necesitará volver a ajustar la distancia focal del plano de montaje a menos que sustituya el objetivo.

Procedimiento básico de filmación



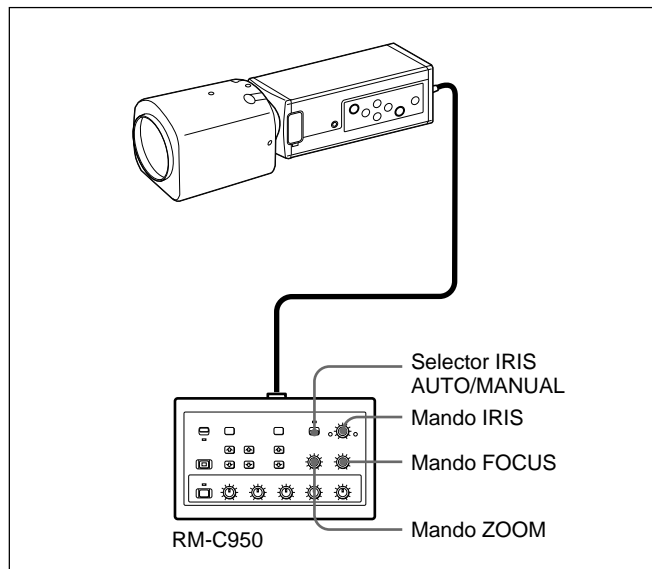
- 1** Active la alimentación de la cámara y de todos los dispositivos conectados.
- 2** Ilumine correctamente un objeto.
- 3** Apunte la cámara hacia el objeto y ajuste el iris, enfoque y zoom.
Para obtener información detallada, consulte “Ajuste del iris, enfoque y zoom” en las páginas 36 y 37.
- 4** Ajuste el balance de blancos.
Para obtener información detallada, consulte “Ajuste del balance de blancos” en la página 39.
- 5** Realice los ajustes necesarios.
Para obtener información detallada, consulte “Ajustes de menú” en la página 12.
- 6** Empiece a filmar.

Ajuste del iris, enfoque y zoom

A continuación se ofrece un ejemplo de los ajustes de iris, enfoque y zoom con la unidad de control remoto RM-C950 (no suministrada).

Para obtener información detallada, consulte el manual de instrucciones suministrado con la unidad RM-C950.

Si utiliza el objetivo zoom VCL-610WEA



Ajuste automático del iris

Ajuste el selector IRIS AUTO/MANUAL de la unidad RM-C950 en AUTO.

Nota

No es posible ajustar el iris manualmente con el VCL-610WEA.

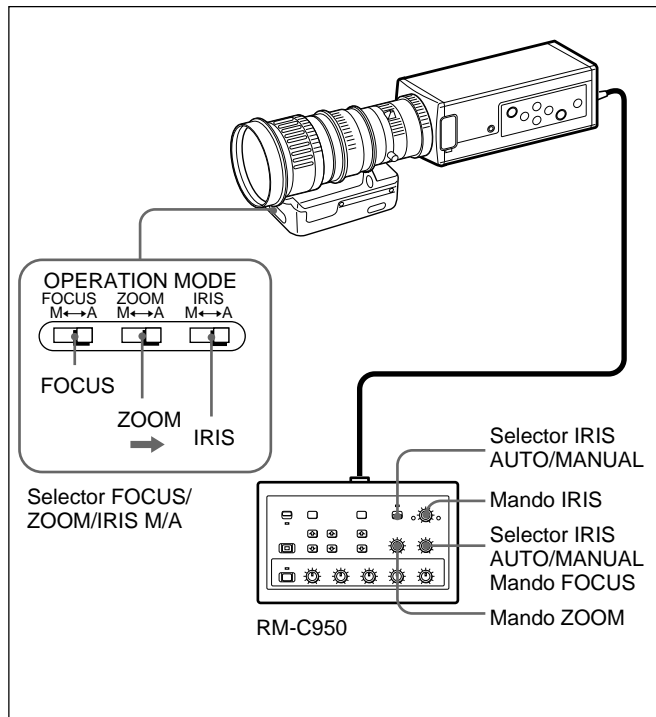
Ajuste del enfoque

Ajuste el enfoque girando el mando FOCUS de la unidad RM-C950.

Ajuste del zoom

Gire el mando ZOOM de la unidad RM-C950 según sus necesidades.

Si utiliza el objetivo zoom VCL-614WEA



Ajuste del iris

- 1 Ajuste el selector IRIS M/A del objetivo en A (Auto) y el selector IRIS AUTO/MANUAL de la unidad de control remoto en MANUAL.
- 2 Ajuste el iris girando el mando IRIS de la unidad de control remoto.

Ajuste del enfoque

- 1 Ajuste el selector FOCUS M/A del objetivo en la posición A (Automático).
- 2 Ajuste el enfoque girando el mando FOCUS de la unidad de control remoto.

Ajuste del zoom

- 1 Ajuste el selector ZOOM M/A del objetivo en la posición A (Automático).
- 2 Gire el mando ZOOM de la unidad de control remoto.

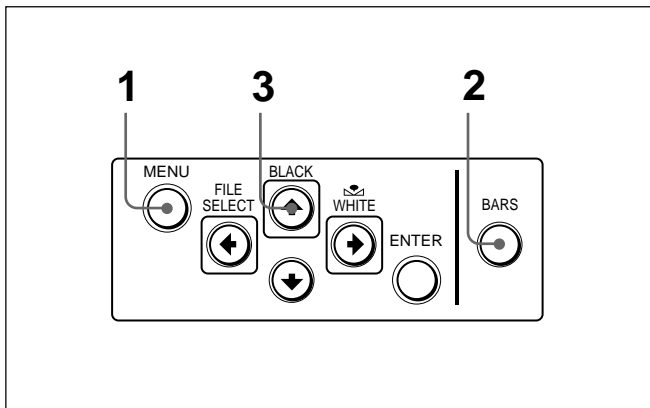
Nota

Al ajustar el iris, enfoque y zoom manualmente con los anillos del objetivo, asegúrese de ajustar los selectores IRIS, FOCUS y ZOOM M/A en M (Manual) antes de utilizar el iris, enfoque y zoom.

Las operaciones manuales con el selector en la posición A pueden dañar el objetivo.

Ajuste del balance de negro

Ajuste en primer lugar el equilibrio del negro, y después conecte la alimentación de su cámara.



Procedimiento de uso

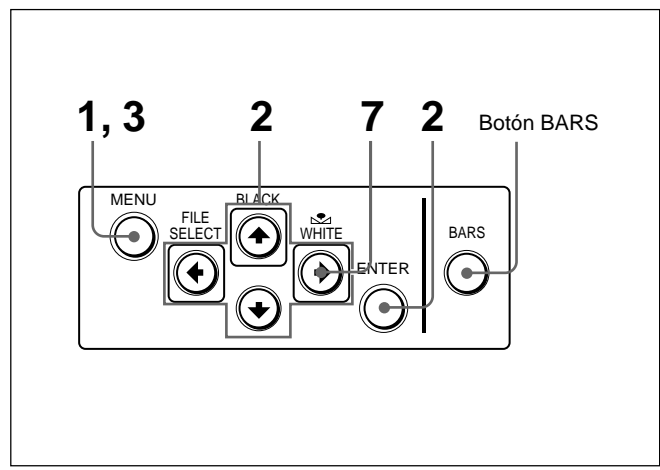
- 1** Si aparece algún menú en pantalla, pulse el botón MENU para eliminarlo.
- 2** Si se muestra una señal de barra de colores en la pantalla, pulse el botón BARS para eliminarla.
- 3** Pulse el botón BLACK.
El control de iris del objetivo se cierra automáticamente y se ajusta el balance de negro. Si emplea un objetivo con iris manual, cierre el iris y pulse el botón BLACK. Durante el ajuste se muestran las barras. Cuando termine de realizar el ajuste, aparecerá el mensaje "BLACK: OK" en la pantalla.

Errores de ajuste del balance de negro

Si el ajuste del balance de negro no se realiza con éxito, aparecerá el mensaje "BLACK: NG" en la pantalla. En este caso, tome las medidas necesarias y repita los pasos 1 a 3. *Para obtener información detallada, consulte "Lista de mensajes" en la página 60.*

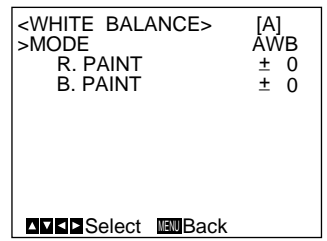
Ajuste del balance de blancos

Cada vez que cambien las condiciones de luz, asegúrese de ajustar el balance de blancos para obtener una reproducción óptima de los colores.



Procedimiento de uso

- 1 Pulse el botón MENU para mostrar el menú MAIN.
- 2 Seleccione el menú WHITE BALANCE y ajuste MODE en AWB.



Para utilizar los menús, consulte “Operaciones de menú (Procedimientos para utilizar los menús)” en la página 14.

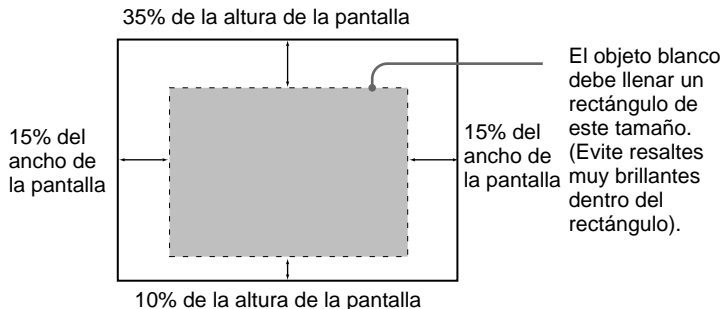
- 3 Pulse el botón MENU dos veces para eliminar el menú.
- 4 Muestre la imagen de la cámara en la pantalla del monitor.

Nota

Si se muestra una señal de barra de colores en la pantalla, pulse el botón BARS para desactivarla.

(Continúa)

- 5** Ajuste el control de iris del objetivo de la siguiente forma:
- Si utiliza un objetivo de iris automático:** Active el control automático de iris.
- Si utiliza un objetivo con iris manual:** Ajústelo en un valor de apertura de iris apropiado.
- 6** Coloque un objeto blanco (patrón blanco, tela blanca, etc.) bajo la misma luz que ilumina el objeto que vaya a filmar y, a continuación, amplíe el objeto blanco para que ocupe toda la pantalla de la siguiente forma.



El objeto blanco puede ser una pared blanca situada cerca del objeto que vaya a filmar.

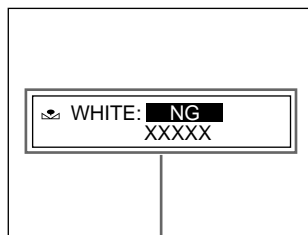
Notas

- No incluya objetos muy reflectantes en la imagen.
- Siempre filme la imagen con condiciones de luz apropiadas.

- 7** Pulse el botón WHITE.
- Las barras aparecen durante el ajuste. El mensaje “WHITE: OK” aparecerá en la pantalla al finalizar el ajuste.
- El nivel de blanco ajustado se almacenará automáticamente en la memoria y permanecerá vigente incluso si se desactiva la alimentación de la cámara.
- Para filmar con las mismas condiciones, puede recuperar el valor de balance de blancos almacenado ajustando MODE en AWB en el menú WHITE BALANCE.

Errores de ajuste del balance de blancos

Si el ajuste automático de balance de blancos no se realiza con éxito, aparecerá en pantalla un mensaje de error. En este caso, tome las medidas necesarias y repita los pasos 1 a 7. *Para obtener información más detallada, consulte “Lista de mensajes” en la página 60.*



Mensaje de error

Ajuste del tono de la imagen en un sistema multicámara

Al configurar un sistema multicámara, ajuste todas las cámaras para evitar variaciones del tono de imagen de una cámara a otra.

Antes de realizar los ajustes que se describen a continuación, introduzca la misma señal de sincronización para todas las cámaras.

Para las conexiones, consulte “Conexión de dos o más cámaras—sistema multicámara” en la página 51.

Conexión de las cámaras a equipos de vídeo con capacidad de indicación de fase

Si conecta un generador de efectos especiales, una unidad de crominancia u otro equipo de vídeo con capacidad de indicación de fase, el procedimiento básico de ajuste es el siguiente:

- 1** Active la capacidad de indicación de fase del equipo de vídeo conectado.
- 2** Ajuste la fase horizontal mediante el menú. Seleccione H. PHASE en el menú SYSTEM.
Para obtener información detallada, consulte “Operaciones de menú” en la página 14.
- 3** Ajuste la fase subportadora mediante el menú. Seleccione SC. PHASE en el menú SYSTEM.
En primer lugar, ajuste la fase subportadora de forma aproximada con SC. PHASE ROUGH ajustándolo entre 0° y 180° y, a continuación, realice el ajuste fino con SC. PHASE FINE.
Para obtener información detallada, consulte el manual de instrucciones del equipo de vídeo con capacidad de indicación de fase que haya conectado.

Conexión de las cámaras a equipos de vídeo sin capacidad de indicación de fase

Utilice una de las cámaras como cámara de referencia y ajuste las demás a ésta una por una.

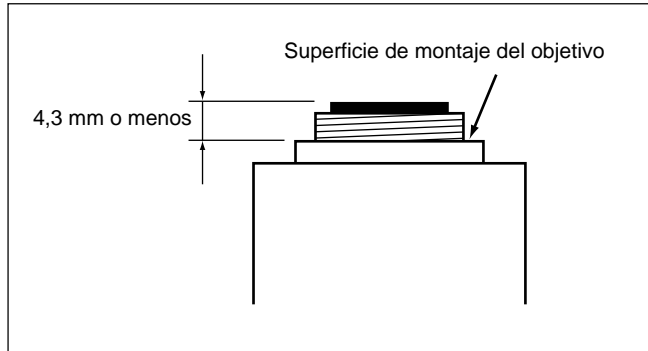
- 1** Ajuste la fase horizontal. Seleccione H. PHASE en el menú SYSTEM, y realice el ajuste de forma que la señal de vídeo de referencia y la señal de salida tengan la misma fase de sincronización horizontal. Para comprobar la fase, utilice un monitor de forma de onda o un osciloscopio.
- 2** Ajuste la fase subportadora. Seleccione SC. PHASE en el menú SYSTEM.
En primer lugar, ajuste la fase subportadora de forma aproximada con SC. PHASE ROUGH ajustándola entre 0° y 180° y, a continuación, realice el ajuste fino con SC. PHASE FINE de forma que la señal de vídeo de referencia y la señal de vídeo de salida tengan la misma fase subportadora. Utilice un vectorscopio o la función de barrido de un generador de efectos especiales para mostrar en pantalla las imágenes de la cámara de referencia y de la que desee ajustar de forma simultánea.

Instalación y conexiones

Instalación

Objetivo aplicable

Es posible fijar a la cámara los objetivos de montaje C con la siguiente superficie de montaje.

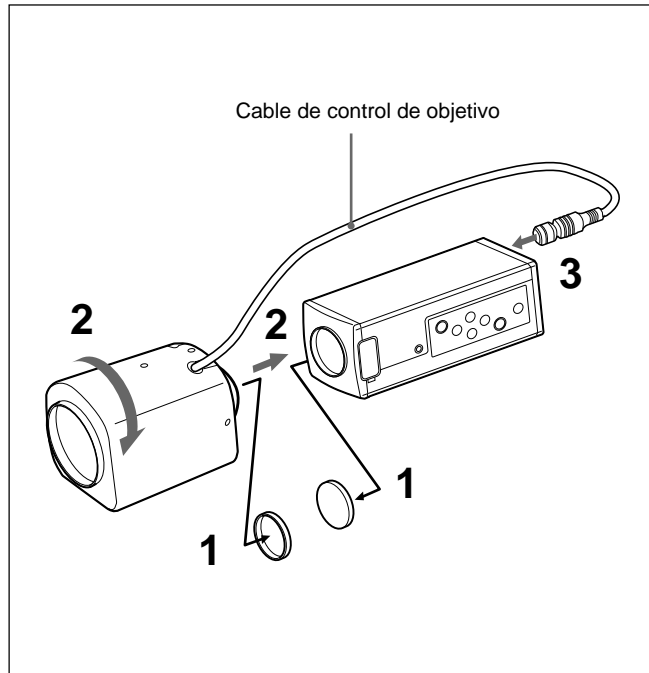


Nota

Asegúrese de utilizar un objetivo en el que la parte saliente desde la superficie del montaje de objetivo sea inferior a 4,3 mm. Si monta el objetivo con una parte saliente superior a 4,3 mm, puede dañar el mecanismo interno de la cámara.

Montaje del objetivo

Montaje del objetivo zoom VCL-610WEA

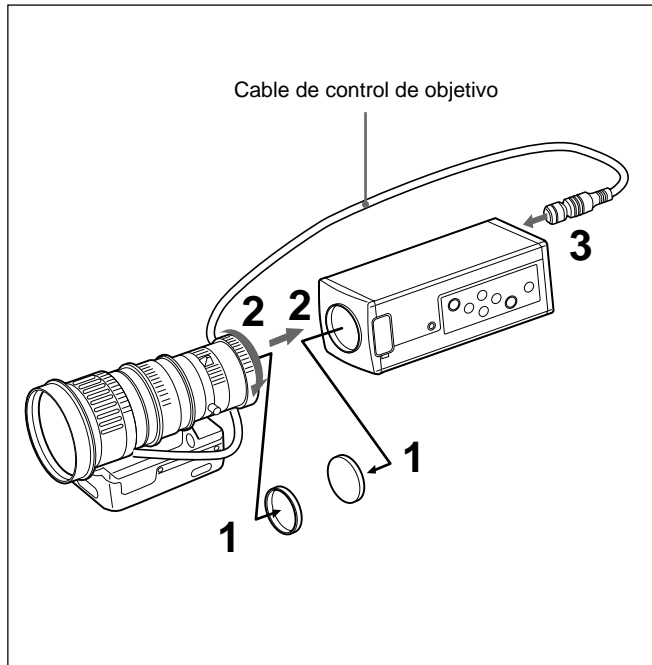


- 1** Retire las tapas de montaje de la cámara y del objetivo.
- 2** Alinee la parte roscada del montaje del objetivo con la del montaje de la cámara y gire el objetivo lentamente en el sentido de las agujas del reloj para fijarlo a la cámara.
- 3** Conecte el cable de control de objetivo al conector LENS de la cámara.

Para ajustar la posición del objetivo

Después de fijar el objetivo a la cámara, gire el objetivo un poco más en el sentido de las agujas del reloj. Cuando se afloje el montaje del objetivo, gire el objetivo en la dirección apropiada.

Montaje del objetivo zoom VCL-614WEA



- 1** Retire las tapas de montaje de la cámara y del objetivo.
- 2** Alinee la parte roscada del montaje del objetivo con la del montaje de la cámara y gire el anillo de bloqueo del montaje hasta el máximo en el sentido de las agujas del reloj para fijar el objetivo a la cámara.
- 3** Conecte el cable de control de objetivo al conector LENS de la cámara.

Para ajustar la posición del objetivo

Después de apretar el anillo de bloqueo del montaje, gírelo en el sentido contrario a las agujas del reloj unos 90° para aflojarlo. A continuación, gire el objetivo para ajustar la posición y apriete firmemente el anillo de bloqueo del montaje.

Montaje de objetivos de montaje C distintos del VCL-610WEA y VCL-614WEA

Consulte también el manual de instrucciones suministrado con el objetivo.

- 1** Retire las tapas de montaje de la cámara y del objetivo.
- 2** Alinee la parte roscada del montaje del objetivo con la del montaje de la cámara y gire el objetivo lentamente en el sentido de las agujas del reloj para fijarlo a la cámara.

Para ajustar la posición del objetivo

Consulte el manual de instrucciones suministrado con el objetivo.

Montaje de un adaptador de microscopio

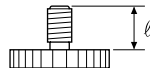
Para fijar la cámara a un microscopio, microscopio científico, etc., es necesario montar un adaptador apropiado. El método para montar el adaptador es el mismo que se emplea para el objetivo.

Para obtener información detallada, consulte el manual de instrucciones de cada adaptador.

Montaje en un trípode

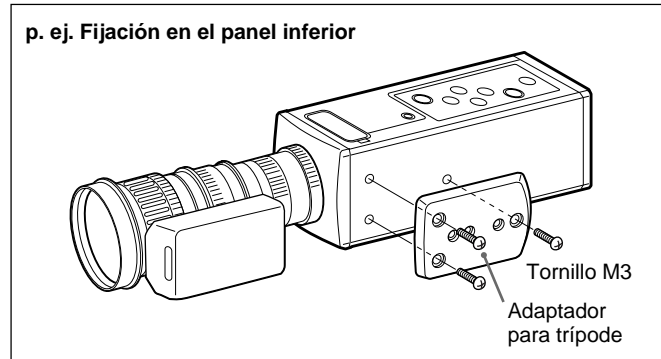
Instale el adaptador para trípode suministrado utilizando los tres orificios para tornillo (M3) del panel superior o inferior. A continuación, fije el trípode al adaptador con los siguientes tornillos de montaje:

U1/4", 20 UNC
 $\ell = 4,5 \text{ mm} \pm 0,2 \text{ mm}$ (norma ISO)



Fijación del adaptador para trípode suministrado

A continuación se ofrece un ejemplo de cómo fijar el adaptador para trípode al panel inferior de la cámara. También es posible fijar el adaptador para trípode al panel superior de la cámara.



Montaje en una pared o techo

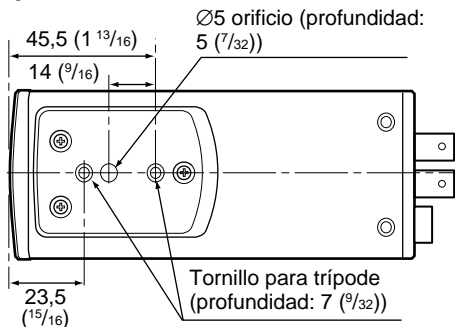
Fije la cámara con el adaptador para trípode al soporte de montaje o de suspensión con los tornillos apropiados (U1/4", 20 UNC) que encajen en los orificios para trípode del adaptador.

(Continúa)

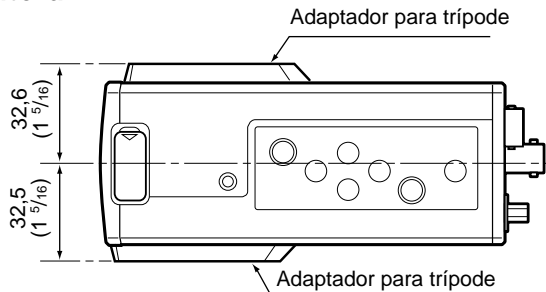
Instalación

Dimensiones de referencia para la fijación de un trípode

Parte superior

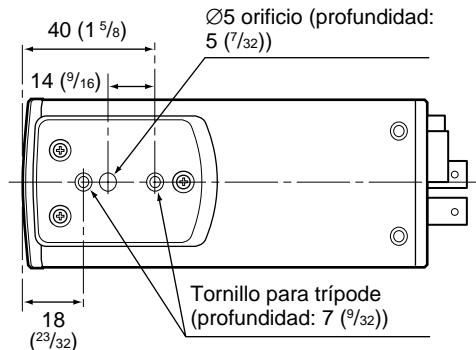


Lateral



Unidad: mm (pulgadas)

Parte inferior



Unidad: mm (pulgadas)

Conexión básica del sistema

Para el suministro de corriente a la cámara, utilice el adaptador de cámara CMA-D2/D2MD/D2CE/D2MDCE/D3/D3CE.

El adaptador de cámara que pueda utilizar con su cámara variará según los sistemas de señales y las aplicaciones.

Sistema Aplicación	Norma EIA, sistema de color NTSC	Norma CCIR, sistema de color PAL
Médica	CMA-D2MD	CMA-D2MDCE
No médica	CMA-D2 CMA-D3	CMA-D2CE CMA-D3CE

Nota sobre las conexiones

Asegúrese de desactivar la fuente de alimentación de todos los equipos antes de realizar conexiones.

Uso del adaptador de cámara CMA-D2/D2MD/D2CE/D2MDCE

Existen dos métodos para conectar la cámara y el adaptador de cámara.

- Mediante el cable CCDC, que sólo proporciona corriente a la cámara (*Para el método de conexión, consulte la página 48*).
- Con el cable CCMC, que proporciona corriente a la cámara y transmite señales de vídeo al adaptador de cámara (*Para el método de conexión, consulte la página 49*).

Nota

Asegúrese de utilizar un adaptador de cámara para cada unidad DXC-390/390P.

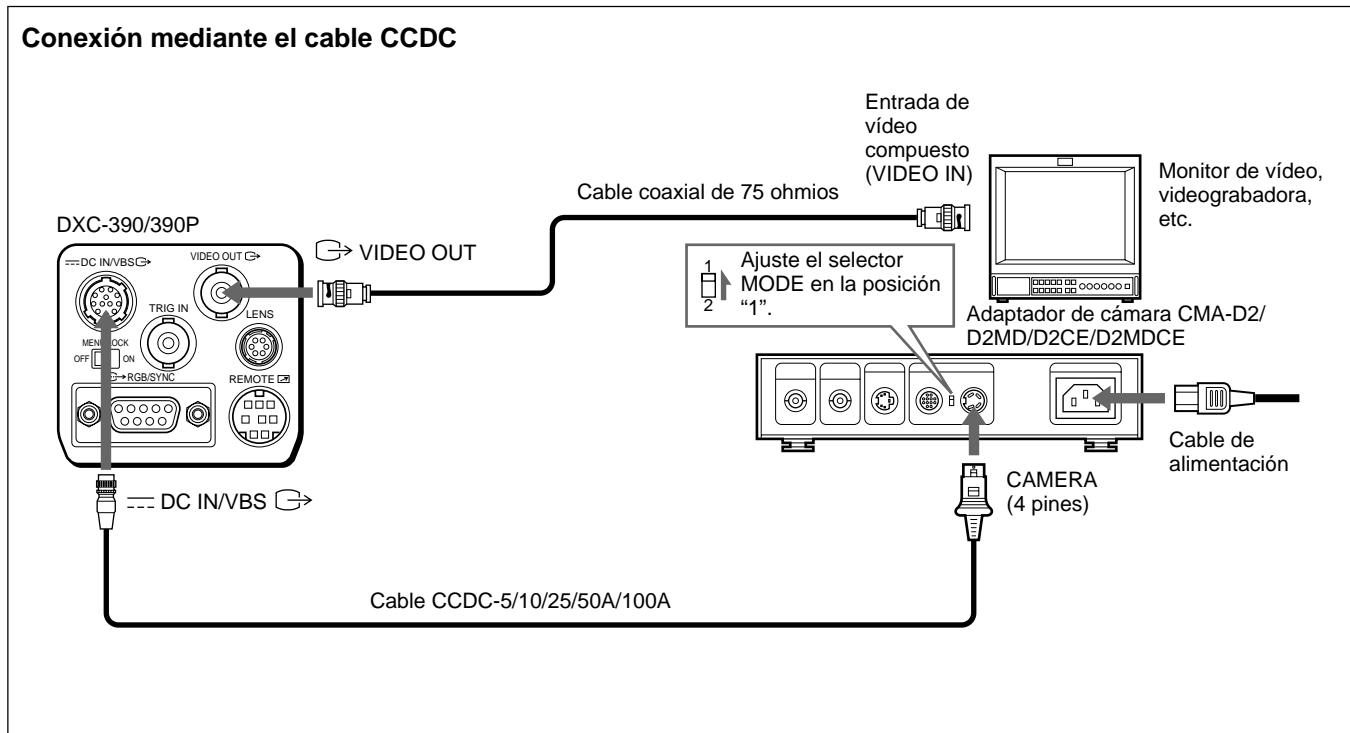
Aunque el adaptador de cámara tenga dos conectores CAMERA (de 4 pines y de 12 pines), el consumo de energía de la cámara no permite la conexión de dos unidades de cámara al mismo tiempo.

Uso del adaptador de cámara CMA-D3/D3CE

Las conexiones mediante el adaptador de cámara CMA-D3/D3CE suministran alimentación a la cámara y transmiten señales de vídeo al adaptador de cámara. (*Con respecto al método de conexión, consulte la página 52*.)

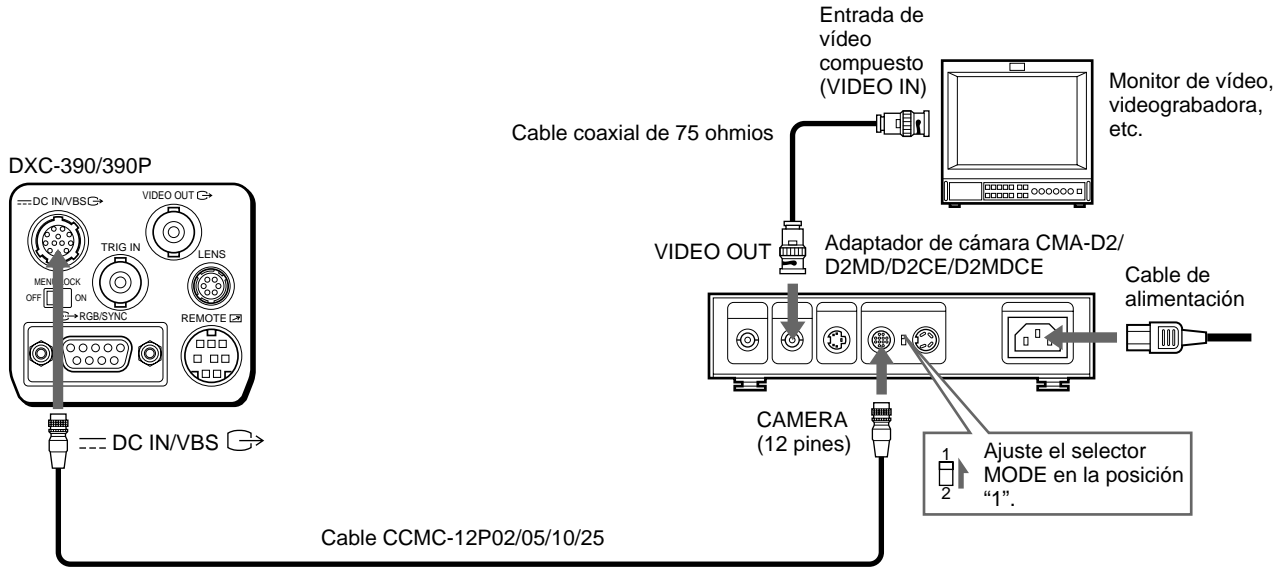
Conexión de equipos de vídeo con conectores de entrada de vídeo compuesto

Conexión mediante el cable CCDC



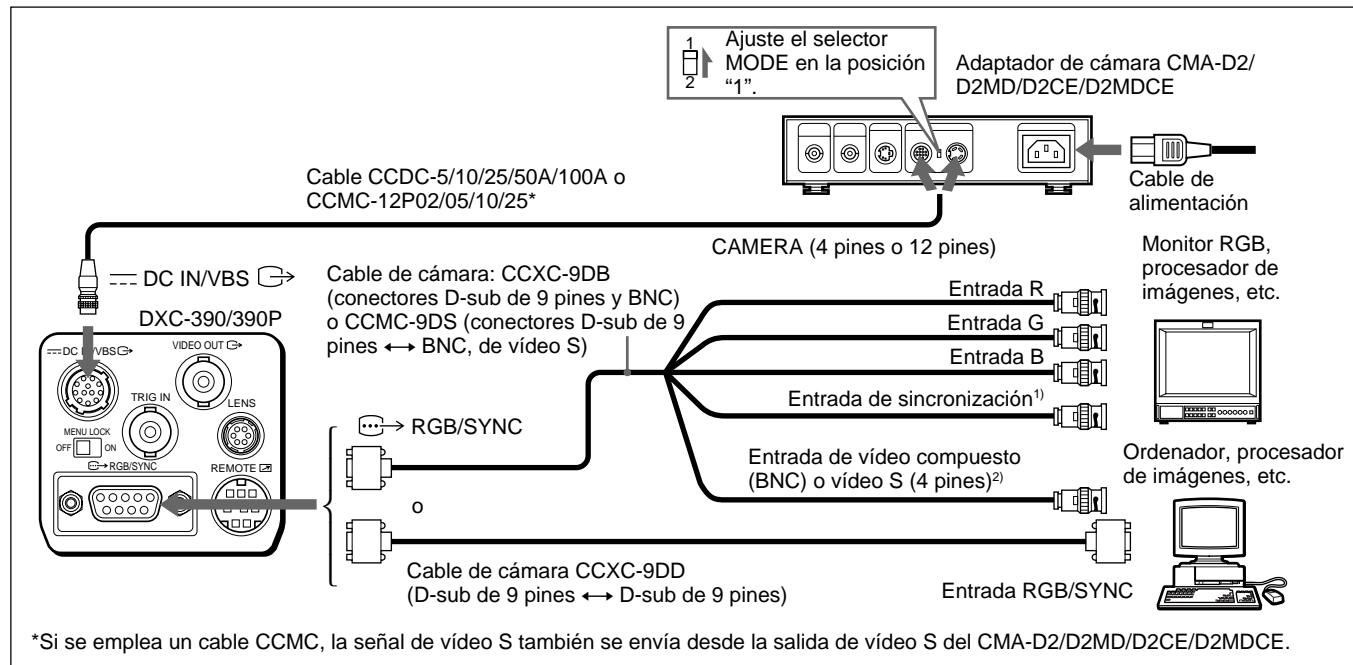
Instalación con un cable CCDC (sólo para el suministro de corriente)

Conexión mediante un cable CCMC



Instalación con un cable CCMC (para el suministro de corriente a la cámara y de señales de vídeo al adaptador de cámara)

Conexión de equipos de vídeo con entradas RGB o de vídeo S



1) Al utilizar un monitor de vídeo sin conector de entrada de señales de sincronización, la cámara puede ajustarse para enviar una señal de sincronización con la señal G o las señales RGB.
Para obtener información detallada, consulte "Menú SYSTEM" en la página 27.

2) Esta instalación es para la conexión a un conector de vídeo compuesto (VBS). Para enviar señales Y/C separadas a la entrada de vídeo S del equipo de vídeo, utilice un cable de cámara CCMC-9DS.
Para obtener información detallada sobre cómo cambiar la salida de cámara entre VBS (vídeo compuesto) e Y/C, consulte "Menú SYSTEM" en la página 27.

Conexión de dos o más cámaras—sistema multicámara

Notas sobre los sistemas multicámara

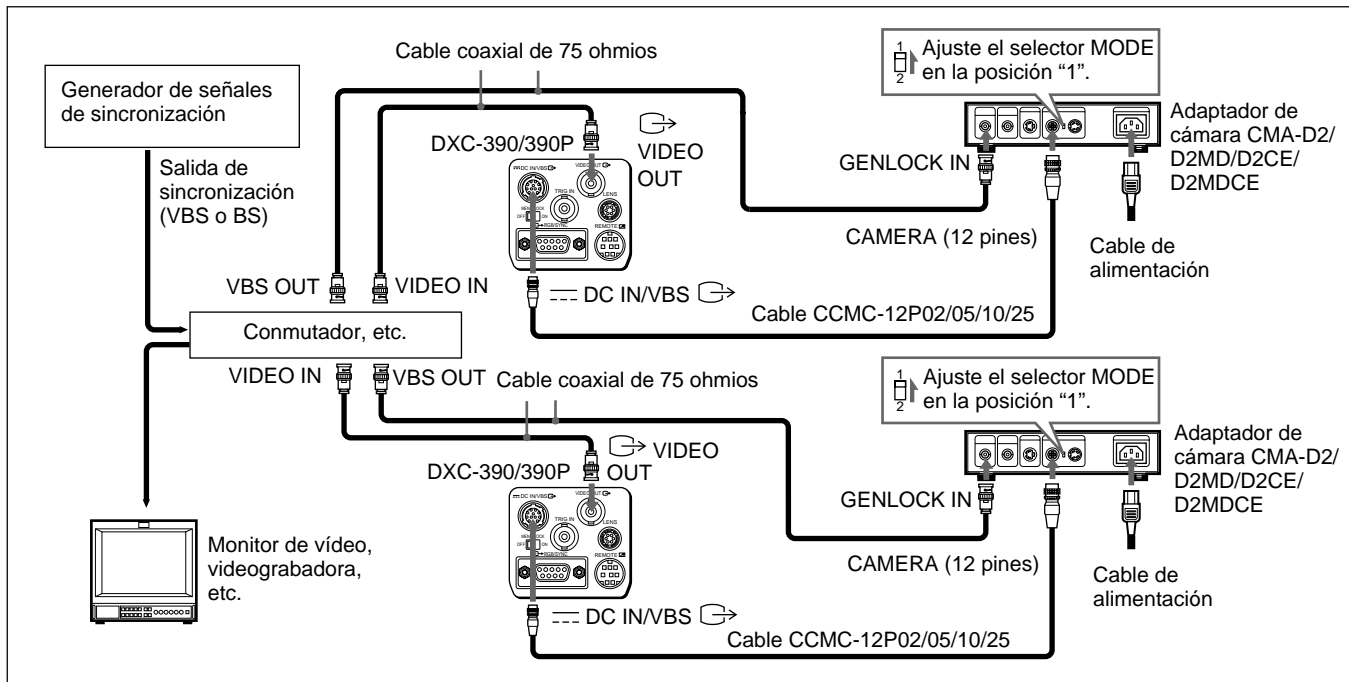
Realice la siguiente operación para evitar el parpadeo al cambiar entre dos o más cámaras conectadas a un conmutador de vídeo:

- Suministre la misma señal de sincronización a los conectores GENLOCK IN de cada adaptador de cámara (consulte a

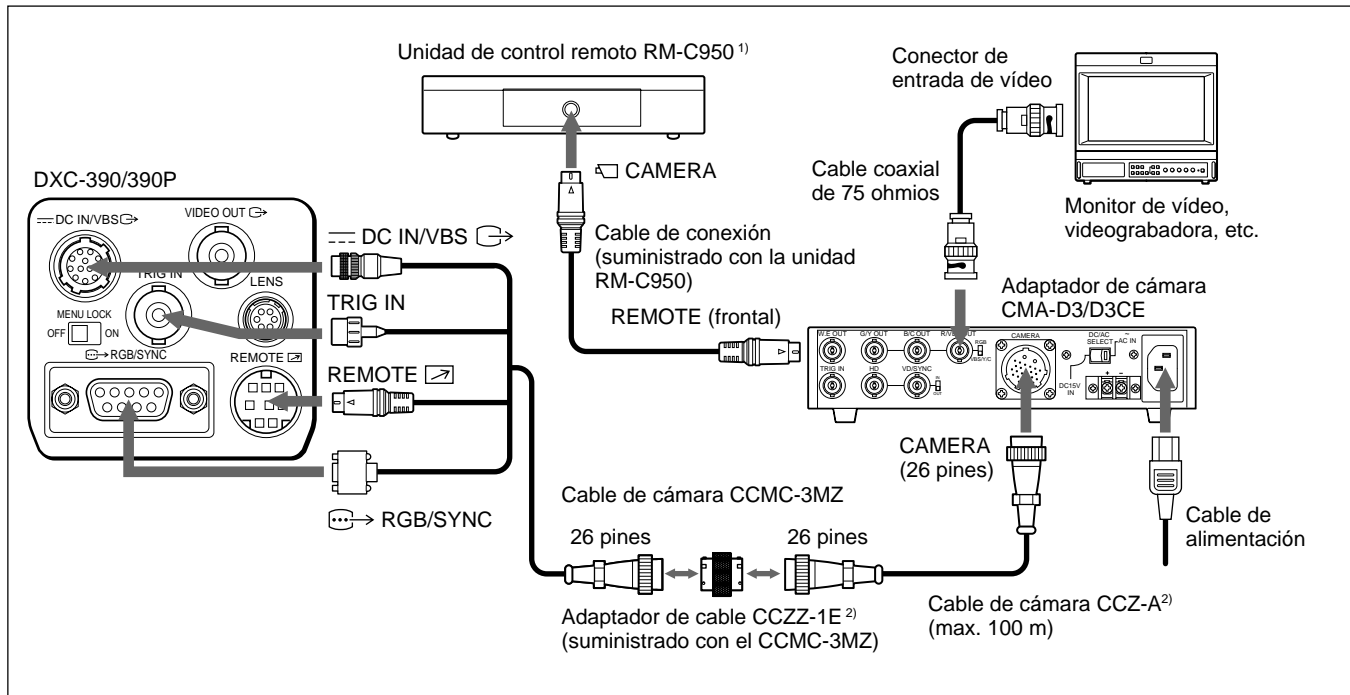
continuación).

- Ajuste las fases de sincronización subportadora y horizontal para todas las cámaras.

Para obtener información detallada, consulte “Ajuste del tono de la imagen en un sistema multicámara” en la página 41.



Conexión al adaptador de cámara CMA-D3/D3CE

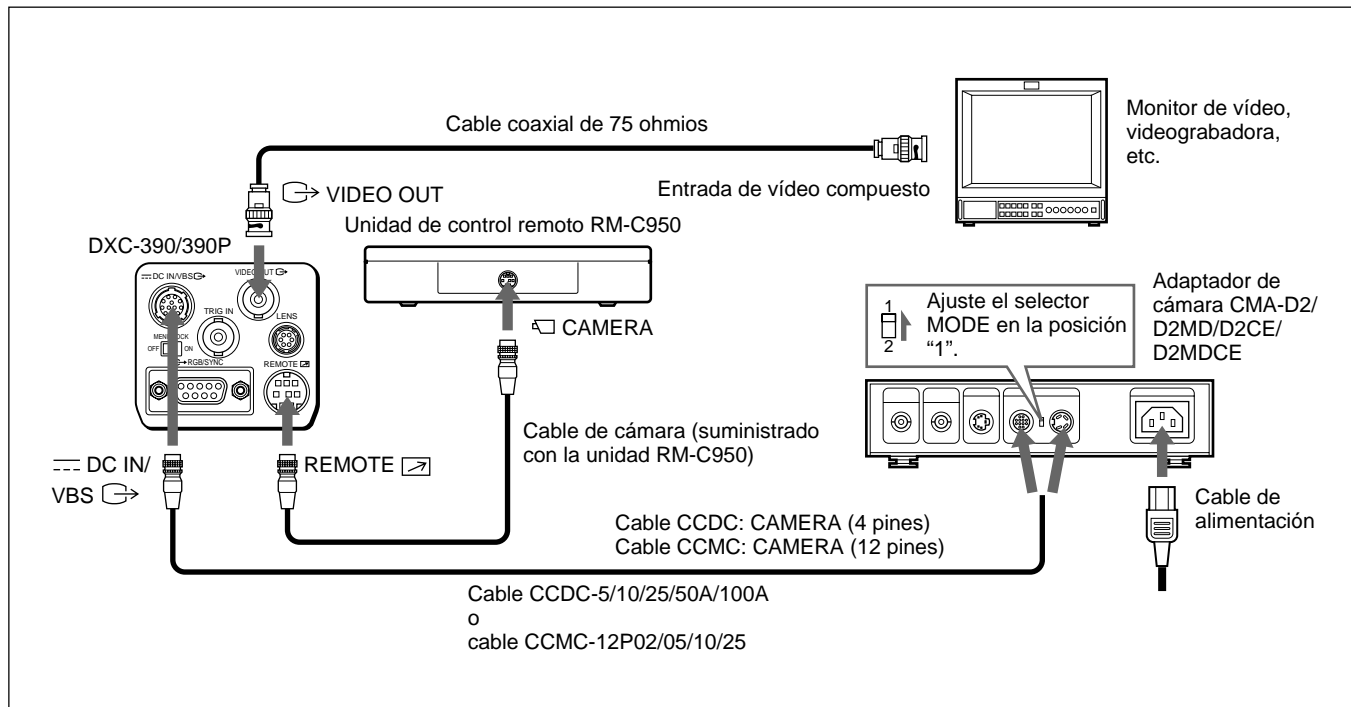


1) En este caso, conecte la unidad de control remoto RM-C950 al adaptador de cámara CMA-D3/D3CE.

2) Para prolongar el cable, conecte el cable de cámara CCMC-3MZ al cable de cámara CCZ-A utilizando el adaptador de cable suministrado con el CCMC-3MZ.

Conexión de una unidad de control remoto

Es posible conectar la unidad de control remoto RM-C950.






Conexión de una unidad de control remoto

Control de la cámara con la unidad de control remoto RM-C950

Cuando se utiliza la unidad de control remoto RM-C950 con esta cámara, los nombres y funciones de los botones PRINT, FLASH, LONG EXPOSURE y FUNCTION y del control GAIN cambian de la siguiente forma, según las funciones de la cámara.

Funciones de los botones PRINT, FLASH, LONG EXPOSURE y FUNCTION y del control GAIN de la unidad RM-C950

Botones/control de la unidad RM-C950	Nombres de botón/control cuando se utiliza con la cámara	Función
PRINT 	ENTER	Utilícelo al mostrar el menú de ajustes seleccionado en el menú MAIN o para ajustar la ventana AE, etc., de forma manual en los menús.
FLASH 	FILE SELECT	Sirve para cambiar entre los archivos predeterminados A y B.

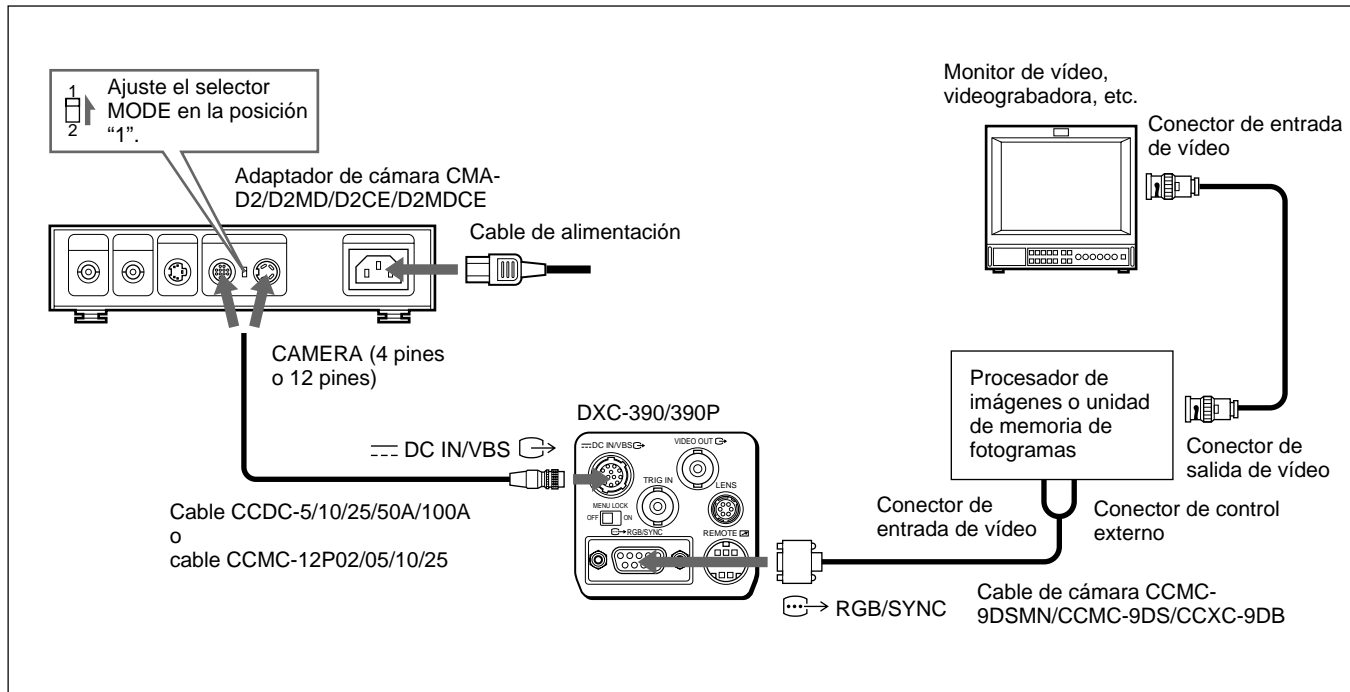
Botones/control de la unidad RM-C950	Nombres de botón/control cuando se utiliza con la cámara	Función
LONG EXPOSURE ↑ ↓	SHUTTER SPEED	Utilícelo para ajustar la velocidad del obturador sin mostrar el menú cuando SHUTTER está ajustado en STEP o VARIABLE en el menú.
GAIN 	GAIN	Sirve para cambiar el rango variable de niveles de ganancia a 0-24 dB.
FUNCTION ↑	BLACK	Utilícelo para iniciar el ajuste automático de balance de negro.

Fijación de la hoja de nombres suministrada

La hoja con los nombres de los botones para el uso de la cámara con la unidad de control remoto se suministra con la cámara. Fije la hoja de nombres al panel de control de la unidad RM-C950.

- 1 Antes de fijarla, limpie el panel de control de la unidad RM-C950.
- 2 Retire la hoja adhesiva de la hoja de nombres y fije la hoja de nombres al panel.

Conexiones para la filmación de larga exposición



Sistema para la filmación con larga exposición en el modo VARIABLE para el obturador electrónico

Nota

Al filmar con larga exposición, ajuste D-SUB SYNC en WEN y RGB SYNC en G (o RGB) en el menú SYSTEM (página 28).

Precauciones

Lugar de funcionamiento o almacenamiento

El funcionamiento o el almacenamiento de la cámara en los siguientes lugares puede causar daños a la misma:

- Lugares extremadamente calientes o fríos (Temperatura de funcionamiento: -5°C a $+45^{\circ}\text{C}$ [23°F a 113°F])
- Expuesto a la luz solar directa durante periodos prolongados o cerca de equipos calefactores (por ejemplo, estufas)
- Cerca de fuentes de magnetismo intenso
- Cerca de fuentes de radiación electromagnética intensa, como radios o transmisores de TV
- Lugares sujetos a golpes o vibraciones intensas

Ventilación

Para evitar el recalentamiento interno, no bloquee la circulación de aire alrededor de la cámara.

Transporte

Para transportar la cámara, vuelva a embalarla tal como vino de fábrica o con materiales de calidad equivalente.

Limpieza

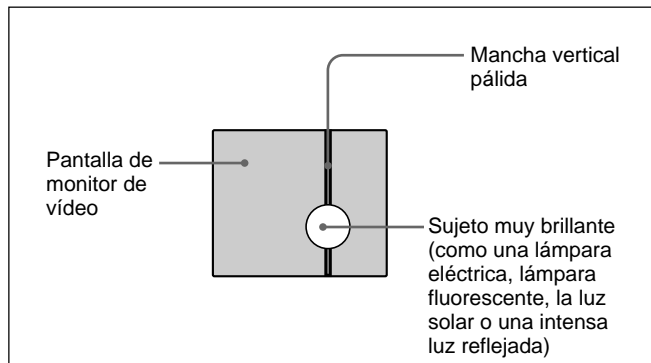
- Utilice un soplador para eliminar el polvo del objetivo o filtro óptico.
- Utilice un paño suave y seco para limpiar las superficies externas de la cámara. Para eliminar las manchas difíciles, utilice un paño suave humedecido con una pequeña cantidad de solución detergente y, a continuación, seque la unidad con un paño.
- No utilice disolventes volátiles, como alcohol, bencina o diluyentes, ya que pueden dañar el acabado de la superficie.

Fenómenos típicos de CCD

Los siguientes fenómenos pueden producirse en la pantalla del monitor mientras utiliza la cámara de vídeo en color DXC-390/390P. Estos fenómenos se deben a la alta sensibilidad de los sensores de imagen CCD y no indican ningún fallo de la cámara.

Mancha vertical

Puede aparecer una “mancha” que se extiende en sentido vertical desde los objetos muy brillantes, tal como se muestra a continuación.



Este fenómeno es común entre los elementos de imagen CCD que emplean un sistema de transferencia interlínea. Se produce cuando una carga eléctrica inducida por la radiación infrarroja dentro del sensor fotográfico se transfiere a las resistencias.

Líneas ligeramente deformadas

Al filmar rayas finas, líneas rectas o patrones similares, las líneas pueden aparecer ligeramente deformadas.

Imperfecciones

Los sensores de imagen CCD constan de una serie de elementos de imagen (píxeles) individuales. Un elemento sensor defectuoso aparecerá como una imperfección de un solo píxel en la imagen. Generalmente no supone ningún problema.



Puntos blancos

Al filmar un objeto mal iluminado a una temperatura alta, pueden aparecer pequeños puntos blancos por toda la imagen en pantalla.

Lista de mensajes

Los siguientes mensajes pueden aparecer en pantalla. Tome las medidas necesarias que se describen a continuación.

Mensajes que aparecen durante el ajuste automático del balance de blancos

Mensaje	Significado/soluciones
WHITE: OK	El ajuste automático del balance de blancos se ha realizado con éxito.
WHITE: NG LEVEL LOW	El nivel de vídeo de la imagen es demasiado bajo. <ul style="list-style-type: none">• Aumente la iluminación.• Ensanche la apertura del iris.• Aumente la ganancia de vídeo. Tome las medidas anteriores y, a continuación, pulse el botón  WHITE.
WHITE: NG LEVEL HIGH	El nivel de vídeo de la imagen es demasiado alto. <ul style="list-style-type: none">• Elimine los objetos iluminados con mucho brillo.• Disminuya la iluminación.• Cierre la apertura del iris.• Disminuya la ganancia de vídeo. Tome las medidas anteriores y pulse el botón  WHITE.
WHITE: NG TEMP LOW	La temperatura de color es demasiado baja. Cambie la temperatura de color del objeto al nivel apropiado.

Mensajes que aparecen durante el ajuste automático del balance de blancos (Continúa)

Mensaje	Significado/soluciones
WHITE: NG TEMP HIGH	La temperatura del color es demasiado alta. Modifique la temperatura del color del objeto al nivel apropiado.
WHITE: NG TRY AGAIN	La cámara no ha ajustado el balance de blancos. Añada una parte blanca a la toma del objeto. Tome las medidas anteriores y vuelva a intentarlo. Si el mensaje aparece incluso después de repetir el ajuste, la cámara debe revisarse. Consulte a su proveedor Sony autorizado.

Mensajes que aparecen durante el ajuste automático del balance de negro

Mensaje	Significado/soluciones
BLACK: OK	El ajuste automático del balance de negro se ha realizado con éxito.
BLACK: NG IRIS close?	La cámara no ha ajustado el balance de negro. Cierre la apertura del iris y pulse el botón BLACK.
BLACK: NG	La cámara ha fallado en ajustar el equilibrio del negro. Compruebe la cámara, y después pulse el botón BLACK. Si aparece el mensaje incluso después de haber repetido el ajuste, habrá que comprobar el interior de la cámara. Consulte a un proveedor autorizado por Sony.

Especificaciones

Sistema de imagen/sistema óptico

Dispositivo de imagen	CCD de tipo 1/3, tipo de transferencia interlínea
Elementos de imagen efectivos	DXC-390: 768 (horizontal) × 494 (vertical) DXC-390P: 752 (horizontal) × 582 (vertical)
Montaje del objetivo	Montaje C

Sistema de vídeo

Sincronización	Sincronización interna/externa (VBS, HD/VD), conmutada automáticamente
Formato de señal	DXC-390: Formato estándar NTSC (norma EIA) DXC-390P: Formato estándar PAL (norma CCIR)
Exploración	DXC-390: 525 líneas, entrelace 2:1 DXC-390P: 625 líneas, entrelace 2:1
Frecuencia de barrido	DXC-390: 15,734 kHz (horizontal) × 59,94 Hz (vertical) DXC-390P: 15,625 kHz (horizontal), 50,00 Hz (vertical)

Funciones/rendimiento

Resolución horizontal	800 líneas de TV
Sensibilidad	2000 lux (F8, 3.200K)
Relación señal/ruido	DXC-390: 62 dB DXC-390P: 61 dB
Control de ganancia	AGC: Control automático de ganancia STEP: 0 – 24 dB (en incrementos de 1 dB) HYPER
Balance de blancos	AWB: R. PAINT, B. PAINT MANUAL: R. GAIN, B. GAIN ATW: R. PAINT, B. PAINT 3200K 5600K
Velocidad del obturador electrónico	Ajustable dentro del rango de 1/100000 a aproximadamente 8,0 seg. (ajustable con CCD IRIS)
Matriz lineal	Activación/desactivación conmutable
Compensación gamma	Activación/desactivación conmutable
Modo de acumulación de carga	Conmutable entre el modo de campo y de fotograma

(Continúa)

Entradas/salidas

Señales de entrada/salida de vídeo

Vídeo compuesto: 1 Vp-p (75 ohmios)

R/G/B: 1,0 Vp-p (75 ohmios a R/G/B en sincronización)

Y: 1 Vp-p (75 ohmios)

Y/C: 1 Vp-p, mismo nivel que la crominancia VBS, 75 ohmios

SYNC: 2 Vp-p, 75 ohmios

Entrada de sincronización externa

VBS/BS, HD/VD (VBS 1 Vp-p o

sincronización de color 0,3 Vp-p, SYNC 0,3 Vp-p o HD/VD 4,0 Vp-p, 75 ohmios)

Conectores de entrada/salida

VIDEO OUT: BNC, 75 ohmios, desbalanceado

DC IN/VBS: 12 pines

REMOTE: mini DIN de 18 pines

TRIG IN: BNC, TTL

RGB/SYNC: D-sub de 9 pines

LENS: conector de 6 pines para el objetivo zoom especialmente diseñado para esta cámara

Generales

Suministro de alimentación

12 V CC (CC12 V)

Consumo de energía

Aprox. 7,6 W

Temperatura de funcionamiento

-5°C a +45°C (23°F a +113°F)

Temperatura de transporte y almacenamiento

-20°C a +60°C (-4°F a +140°F)

Humedad de funcionamiento

20% a 80% (sin condensación)

Humedad de transporte y almacenamiento

20% a 90% (sin condensación)

Dimensiones 56 × 50 × 128 mm (2 1/4 × 2 × 5 1/8 pulgadas)
(an/al/prf) (excluidas partes salientes)

Peso

Aprox. 370 g (13 oz)

Accesorios suministrados

Tapa del montaje del objetivo (1)

Adaptador para trípode (1)

Hoja de nombres para los botones de la unidad RM-C950 (1)

Manual de instrucciones (1)

Tarjeta de garantía (1) (sólo DXC-390)

Guía de compañías de ventas (1)
(sólo DXC-390P)

Especificaciones médicas

Protección contra descargas eléctricas

Clase I

Protección contra filtración perjudicial de agua

Ordinaria

Grado de seguridad en presencia de oxígeno o anestésicos inflamables

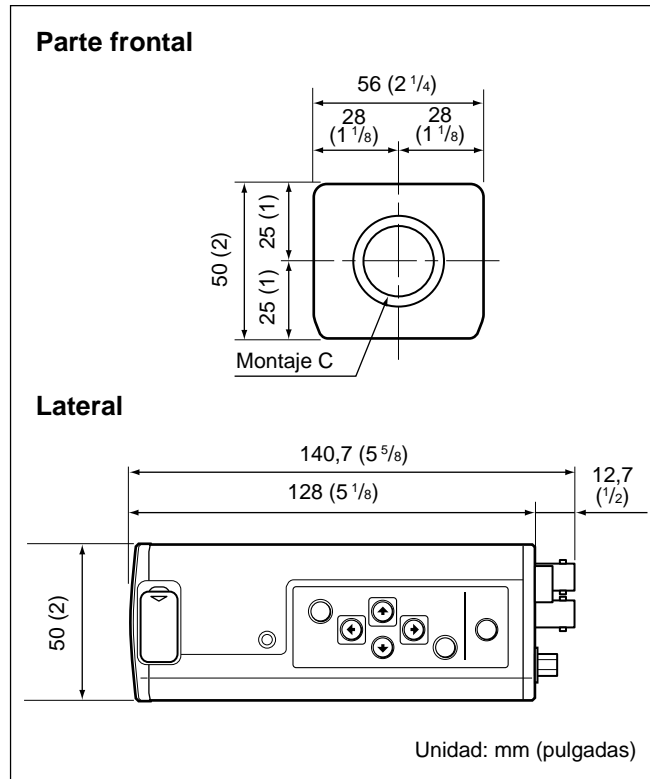
No adecuado para su empleo en presencia de oxígeno o anestésicos inflamables

Modo de empleo

Continuo

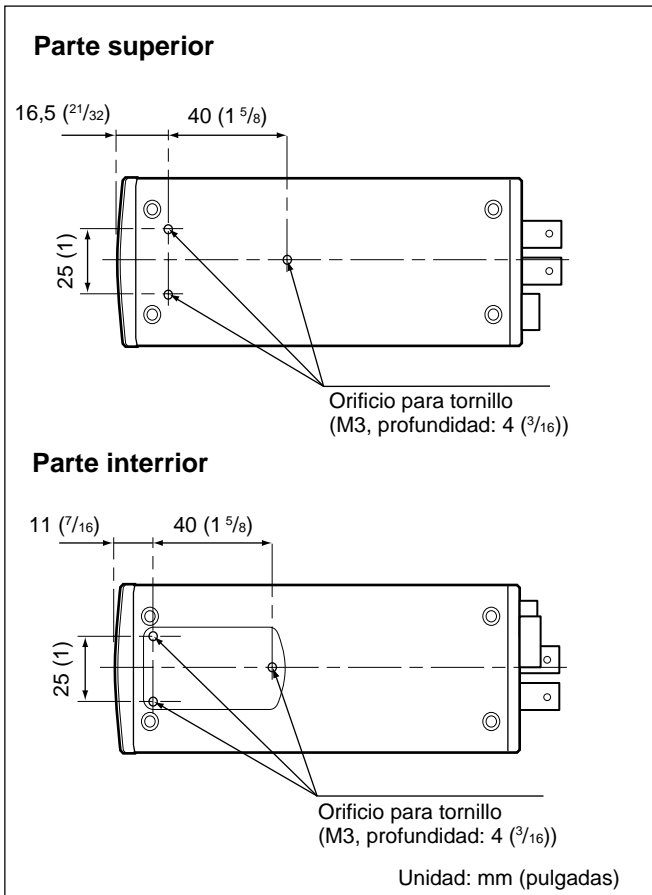
Diseño y especificaciones sujetos a cambios sin previo aviso.

Dimensiones



(Continúa)

Especificaciones



Accesorios opcionales

Objetivos

Objetivo zoom VCL-614WEA (14 ×, f = 5,5 – 77 mm)

Objetivo zoom VCL-610WEA (10 ×, f = 6,5 – 65 mm)

Adaptador de cámara

Adaptador de cámara CMA-D2 (para el formato NTSC)

Adaptador de cámara CMA-D2MD (para el formato NTSC, aplicaciones médicas)

Adaptador de cámara CMA-D2CE (para el formato PAL)

Adaptador de cámara CMA-D2MDCE (para el formato PAL, aplicaciones médicas)

Adaptador de cámara CMA-D3 (para el formato NTSC)

Adaptador de cámara CMA-D3CE (para el formato PAL)

Unidad de control remoto

Unidad de control remoto RM-C950 (cable de conexión suministrado)

Cable de suministro de alimentación

Serie CCDC (longitud: 5 m [16 pies], 10 m [32 pies] o 25 m [82 pies])

Serie CCDC-A (longitud: 50 m [164 pies] o 100 m [328 pies])

Serie CCMC (longitud: 2 m [7 pies], 5 m [16 pies], 10 m [32 pies], o 25 m [82 pies])

CCMC-3MZ (longitud: 3 m [10 pies])

Serie CCZ-A (longitud: 2 m [7 pies], 5 m [16 pies], 10 m [32 pies], 25 m [82 pies], 50 m [164 pies] o 100 m [330 pies])

Cable de cámara

CCXC-9DB (D-sub ↔ BNC × 5)

CCXC-9DD (D-sub ↔ D-sub)

CCMC-9DS (D-sub ↔ BNC × 4, conector de vídeo S)

CCMC-9DSMN (D-sub ↔ BNC × 3, toma fonográfica, conector de vídeo S)

Sony **on**line <http://www.world.sony.com/>

Printed on recycled paper

Sony Corporation Printed in Japan
