

Digital Videocassette Recorder

Operating Instructions

Before operating the unit, please read this manual thoroughly and retain it for future reference.

Note

The supplied CD-ROM includes Operating Instructions for the DSR-series Digital Video Cassette Recorder or Player (English, Japanese, French, German, Italian and Spanish (DSR-1500A only) versions).
For more details, see "Using the CD-ROM Manual" on page 12.



DSR-1800/1800P

Owner's Record

The model and serial numbers are located at the rear. Record these numbers in the spaces provided below. Refer to them whenever you call upon your Sony dealer regarding this product.

Model No. _____ Serial No. _____

WARNING

To prevent fire or shock hazard, do not expose the unit to rain or moisture.

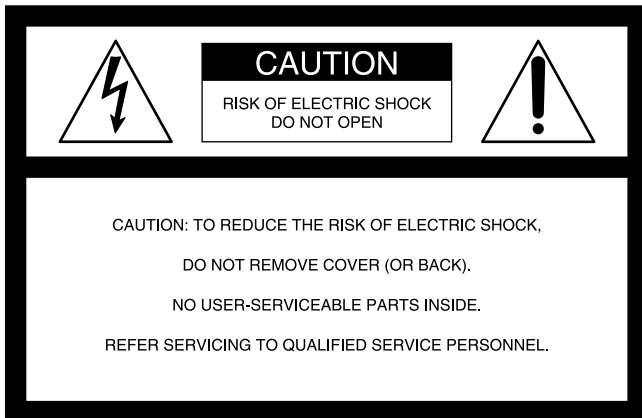
To avoid electrical shock, do not open the cabinet. Refer servicing to qualified personnel only.

THIS APPARATUS MUST BE EARTHED.

CAUTION

The apparatus shall not be exposed to dripping or splashing and no objects filled with liquid, such as vases, shall be placed on the apparatus.

The unit is not disconnected from the AC power source (mains) as long as it is connected to the wall outlet, even if the unit itself has been turned off.



This symbol is intended to alert the user to the presence of uninsulated "dangerous voltage" within the product's enclosure that may be of sufficient magnitude to constitute a risk of electric shock to persons.



This symbol is intended to alert the user to the presence of important operating and maintenance (servicing) instructions in the literature accompanying the appliance.

WARNING: THIS WARNING IS APPLICABLE FOR USA ONLY.

Using this unit at a voltage other than 120 V may require the use of a different line cord or attachment plug, or both. To reduce the risk of fire or electric shock, refer servicing to qualified service personnel.

For customers in the USA (DSR-1800 only)

This equipment has been tested and found to comply with the limits for a Class A digital device, pursuant to Part 15 of the FCC Rules. These limits are designed to provide reasonable protection against harmful interference when the equipment is operated in a commercial environment. This equipment generates, uses, and can radiate radio frequency energy and, if not installed and used in accordance with the instruction manual, may cause harmful interference to radio communications. Operation of this equipment in a residential area is likely to cause harmful interference in which case the user will be required to correct the interference at his own expense.

You are cautioned that any changes or modifications not expressly approved in this manual could void your authority to operate this equipment.

The shielded interface cable recommended in this manual must be used with this equipment in order to comply with the limits for a digital device pursuant to Subpart B of Part 15 of FCC Rules.

Important Safety Instructions

- Read these instructions.
- Keep these instructions.
- Heed all warnings.
- Follow all instructions.
- Do not use this apparatus near water.
- Clean only with dry cloth.
- Do not block any ventilation openings. Install in accordance with the manufacturer's instructions.
- Do not install near any heat sources such as radiators, heat registers, stoves, or other apparatus (including amplifiers) that produce heat.

- Do not defeat the safety purpose of the polarized or grounding-type plug. A polarized plug has two blades with one wider than the other. A grounding-type plug has two blades and a third grounding prong. The wide blade or the third prong are provided for your safety. If the provided plug does not fit into your outlet, consult an electrician for replacement of the obsolete outlet.
- Protect the power cord from being walked on or pinched particularly at plugs, convenience receptacles, and the point where they exit from the apparatus.
- Only use attachments/accessories specified by the manufacturer.
- Use only with the cart, stand, tripod, bracket, or table specified by the manufacturer, or sold with the apparatus.
When a cart is used, use caution when moving the cart/apparatus combination to avoid injury from tip-over.
- Unplug this apparatus during lightning storms or when unused for long periods of time.
- Refer all servicing to qualified service personnel. Servicing is required when the apparatus has been damaged in any way, such as power-supply cord or plug is damaged, liquid has been spilled or objects have fallen into the apparatus, the apparatus has been exposed to rain or moisture, does not operate normally, or has been dropped.



Voor de Klanten in Nederland

- Dit apparaat bevat een vast ingebouwde batterij die niet vervangen hoeft te worden tijdens de levensduur van het apparaat.
- Raadpleeg uw leverancier indien de batterij toch vervangen moet worden.
- De batterij mag alleen vervangen worden door vakbekwaam servicepersoneel.
- Gooi de batterij niet weg maar lever deze in als klein chemisch afval (KCA).
- Lever het apparaat aan het einde van de levensduur in voor recycling, de batterij zal dan op correcte wijze verwerkt worden.



Caution

Television programs, films, video tapes and other materials may be copyrighted. Unauthorized recording of such material may be contrary to the provisions of the copyright laws.

For customers in Europe (DSR-1800P only)

This product with the CE marking complies with both the EMC Directive (89/336/EEC) and the Low Voltage Directive (73/23/EEC) issued by the Commission of the European Community.

Compliance with these directives implies conformity to the following European standards:

- EN60065: Product Safety
- EN55103-1: Electromagnetic Interference (Emission)
- EN55103-2: Electromagnetic Susceptibility (Immunity)

This product is intended for use in the following Electromagnetic Environment(s):

E1 (residential), E2 (commercial and light industrial), E3 (urban outdoors) and E4 (controlled EMC environment, ex. TV studio).

AVERTISSEMENT

Afin d'éviter tout risque d'incendie ou d'électrocution, ne pas exposer l'appareil à la pluie ou à l'humidité.

Afin d'écartier tout risque d'électrocution, garder le coffret fermé. Ne confier l'entretien de l'appareil qu'à un personnel qualifié.

CET APPAREIL DOIT ÊTRE RELIÉ À LA TERRE.

Attention

Eviter d'exposer l'appareil à un égouttement ou à des éclaboussures et ne placer aucun objet rempli de liquide, comme un vase, sur l'appareil.

Cet appareil n'est pas déconnecté de la source d'alimentation secteur tant qu'il est raccordé à la prise murale, même si l'appareil lui-même a été mis hors tension.

Des programmes de télévision, films, bandes vidéo et autres peuvent être protégés par des droits d'auteur. L'enregistrement non autorisé de tels matériaux risque de constituer une violation de ces droits d'auteur.

Pour les clients européens (DSR-1800P seulement)

Ce produit portant la marque CE est conforme à la fois à la Directive sur la compatibilité électromagnétique (EMC) (89/336/CEE) et à la Directive sur les basses tensions (73/23/CEE) émises par la Commission de la Communauté européenne.

La conformité à ces directives implique la conformité aux normes européennes suivantes:

- EN60065: Sécurité des produits
- EN55103-1: Interférences électromagnétiques (émission)
- EN55103-2: Sensibilité électromagnétique (immunité)

Ce produit est prévu pour être utilisé dans les environnements électromagnétiques suivants:

E1 (résidentiel), E2 (commercial et industrie légère), E3 (urbain extérieur) et E4 (environnement EMC contrôlé ex. studio de télévision).

VORSICHT

Um Feuergefahr und die Gefahr eines elektrischen Schlages zu vermeiden, darf das Gerät weder Regen noch Feuchtigkeit ausgesetzt werden.

Um einen elektrischen Schlag zu vermeiden, darf das Gehäuse nicht geöffnet werden. Überlassen Sie Wartungsarbeiten stets nur qualifiziertem Fachpersonal.

DIESES GERÄT MUSS GEERDET WERDEN.

Achtung

Das Gerät ist nicht tropf- und spritzwassersicher, daher dürfen keine mit Flüssigkeiten gefüllten Gegenstände, z. B. Vasen, darauf abgestellt werden.

Solange das Netzkabel an eine Netzsteckdose angeschlossen ist, bleibt das Gerät auch im ausgeschalteten Zustand mit dem Stromnetz verbunden.

Für Kunden in Europa (Nur DSR-1800P)

Dieses Produkt besitzt die CE-Kennzeichnung und erfüllt sowohl die EMV-Direktive (89/336/EEC) als auch die Richtlinie Niederspannung (73/23/EEC) der EG-Kommission.

Die Erfüllung dieser Direktiven bedeutet Konformität für die folgenden Europäischen Normen:

- EN60065: Produktsicherheit
- EN55103-1: Elektromagnetische Interferenz (Emission)
- EN55103-2: Elektromagnetische Empfindlichkeit (Immunität)

Dieses Produkt ist für den Einsatz unter folgenden elektromagnetischen Bedingungen ausgelegt: E1 (Wohnbereich), E2 (kommerzieller und in beschränktem Maße industrieller Bereich), E3 (Stadtbereich im Freien) und E4 (kontrollierter EMV-Bereich, z.B. Fernsehstudio).

1. Für Ihren privat genutzten Videorecorder muß eine Fernseh-Rundfunk-Genehmigung beantragt werden, sofern nicht bereits eine Genehmigung für ein Fernsehgerät desselben Haushaltes vorliegt. Im geschäftlichen Bereich ist jeder einzelne Videorecorder anmelde- und gebührenpflichtig. (Auskunft ggf. bei der GEZ oder den Rundfunkanstalten.)
2. Im privaten Bereich ist die Aufzeichnung von urheberrechtlich geschützten Werken auf Bild- und Tonträger gestattet. Die entsprechenden Urheber-Vergütungen sind im Kaufpreis des Gerätes enthalten. Öffentliche Wiedergabe oder Verbreitung von mitgeschnittenen Fernsehsendungen ist ohne Erlaubnis nicht zulässig, verpflichtet zu Schadenersatz und ist gegebenenfalls strafbar.
3. Im Rahmen der Regelung des §47 des Urheberrechtsgesetzes sind Aufzeichnungen von Schulfernsehprogrammen gestattet. Mitschnitte von Schulfunksendungen dürfen jedoch nur für den Unterricht verwendet werden und sind spätestens am Ende des laufenden Schuljahres zu löschen.

ATTENZIONE

Per evitare il pericolo di incendi o scosse elettriche, non esporre l'apparecchio alla pioggia o all'umidità.

Per evitare scosse elettriche, non aprire l'apparecchio. Per le riparazioni, rivolgersi solo a personale qualificato.

QUESTO APPARECCHIO DEVE ESSERE MESSO A TERRA.

Attenzione

L'apparecchio non deve essere esposto a gocciolamenti o spruzzi. Non collocare sull'apparecchio oggetti contenenti liquidi, come ad esempio vasi di fiori.

L'apparecchio non è scollegato dalla fonte di alimentazione CA (corrente di rete) fintanto che è collegato ad una presa di corrente, anche se l'apparecchio stesso è stato spento.

Programmi televisivi, film, videonastri e altro materiale possono essere tutelati dai diritti d'autore. Registrazioni non autorizzate di tali materiali possono infrangere la legge sui diritti d'autore.

Per i clienti in Europa (DSR-1800P soltanto)

Questo prodotto recante il marchio CE è conforme sia alla direttiva sulla compatibilità elettromagnetica (EMC) (89/336/CEE) che alla direttiva sulle basse tensioni (73/23/CEE) emesse dalla Commissione della Comunità Europea.

La conformità a queste direttive implica la conformità alle seguenti normative europee:

- EN60065: Sicurezza dei prodotti
- EN55103-1: Interferenza elettromagnetica (Emissione)
- EN55103-2: Sensibilità ai disturbi elettromagnetici (Immunità)

Questo prodotto è destinato all'uso nei seguenti ambienti elettromagnetici:

E1 (residenziali), E2 (commerciali e industriali leggeri), E3 (esterni urbani) e E4 (ambienti EMC controllati, ad esempio studi televisivi).

Table of Contents

Chapter 1 Overview

Features	9
DVCAM Format	9
A Wealth of Interfaces	10
Facilities for High-Efficiency Editing.....	10
Other Features	11
Optional Accessories.....	11
Using the CD-ROM Manual	12
CD-ROM System Requirements.....	12
Preparations.....	12
To Read the CD-ROM Manual	12
Location and Function of Parts	13
Front Panel	13
Rear Panel	21

Chapter 2 Recording and Playback

Usable Cassettes	27
Inserting and Ejecting Cassettes	29
Recording	31
Settings for Recording	31
Recording Procedure.....	34
Playback	37
Settings for Playback	37
Playback Procedure.....	38
Repeat Playback—Automatic Cyclical Playback.....	40
Setting Points A and B for Repeat Playback.....	40
Cuing Up to Any Desired Position Set as Point A or B	45

Chapter 3 Convenient Functions for Editing Operation

Setting the Time Data	47
Displaying Time Data and Operation Mode Indications ..	47
Using the Internal Time Code Generator.....	49
Synchronizing Internal and External Time Codes	51
Rerecording the Time Code—TC Insert Function.....	51
High-Speed and Low-Speed Search—Quickly and	
 Accurately Determining Editing Points	54
Search Operations via External Equipment	54
Search Operations on This Unit	55

Digitally Dubbing Signals in DVCAM Format.....	56
--	----

Chapter 4 Menu Settings

Menu Organization	59
Menu Contents.....	62
Setup Menu	62
Auto Mode (AUTO FUNCTION) Execution Menu.....	75
Changing Menu Settings	76
Buttons Used to Change Settings.....	76
Changing the Settings of Basic Items	76
Displaying Enhanced Items	78
Changing the Settings of Enhanced Items	78
Returning Menu Settings to Their Factory Default Settings	79
Displaying Supplementary Status Information.....	80

Chapter 5 Connections and Settings

Connections for a Digital Non-Linear Editing System 83	
Connections for a Cut Editing System	85
Connections for an A/B Roll Editing System.....	86
Connections for SDTI (QSDI) Dubbing	92
Connections for Analog Recording	93
Adjusting the Sync and Subcarrier Phases	94

Chapter 6 Maintenance and Troubleshooting

Maintenance.....	97
Condensation.....	97
Regular Checks	97
Head Cleaning.....	99
Troubleshooting	100
Error Messages.....	102
Alarm Messages.....	102

Appendixes

Precautions	105
Specifications	106
ClipLink Guide	110
What Is ClipLink?.....	110
Example System Configuration and Operation Flow .	111
Data Generated When Shooting.....	112
Glossary	115
Index	117

Features

The DSR-1800/1800P is a 1/4-inch digital video cassette recorder using the DVCAM digital recording format. It achieves stable, superb picture quality by digitally processing video signals separated into color difference signals and luminance signals (component method). The unit is equipped with a variety of functions needed for videocassette recorders and players used in professional digital video editing systems. It supports the ClipLink™ function developed by Sony Corporation for highly efficient video editing. When connected to a Sony EditStation™, the unit serves as part of a powerful non-linear editing system*.

The unit is also equipped with a full-fledged analog interface to support hybrid systems that combine conventional analog equipment with digital equipment.

* Non-linear editing: This is an editing method that uses video and audio signals digitally encoded and recorded on a hard disk as digital data. When compared with conventional (linear) editing methods, non-linear editing offers vastly improved efficiency in editing operations, for example, by eliminating tape transport time.

The main features of the unit are described in the following.

DVCAM Format

DVCAM is based on the consumer DV format, which uses the 4:1:1 component digital format, and provides a 1/4-inch digital recording format for professional use.

High picture quality, high stability

Video signals are separated into color difference signals and luminance signals, which are encoded and compressed to one-fifth size before being recorded to ensure stable and superb picture quality.

Because the recording is digital, multi-generation dubbing can be performed with virtually no deterioration of quality.

Wide track pitch

The recording track pitch is 15 μm, fully 50 percent wider than the 10-μm track pitch of the DV format. Thanks to this feature, the DVCAM format sufficiently meets the reliability and precision requirements of professional editing.

High-quality PCM digital audio

PCM recording makes for a wide dynamic range and a high signal-to-noise ratio, thereby enhancing sound quality.

There are two recording modes: 2-channel mode (48-kHz sampling and 16-bit quantization), which offers sound quality equivalent to the DAT (Digital Audio Tape) format, or 4-channel mode (32-kHz sampling and 12-bit quantization).

Playback compatibility with DV and DVCPRO formats

A DV cassette recorded on a DV format VCR as well as a DVCPRO (25M) format recorded cassette can be played back on this unit.

Note

When playing back a tape recorded in DVCPRO (25M) format, the SDTI and i.LINK outputs (*see "Digital interfaces" on page 10*) of this unit are muted. Furthermore, it is not possible to play back the cue-audio track of the tape.

Support for three cassette sizes

- There are two sizes of DVCAM cassette: standard and mini. You can use either size with this unit.
- The unit also accepts L and M sizes of DVCPRO cassette.
- When a cassette is inserted, the reel mechanism of the unit automatically adjusts to the size of the inserted cassette.
 - The capacity of a standard cassette is 184 minutes of recording/playback, and that of a mini cassette is 40 minutes.

A Wealth of Interfaces

Digital interfaces

The following optional digital interfaces are available for use with the unit.

SDTI (QSDI)* (optional DSBK-1802 SDTI (QSDI)

Input/Output Board): When the unit is fitted with the optional DSBK-1802 board, SDTI (QSDI)-format video, audio and time code signals can be transferred between the unit and the Sony EditStation at normal speed. When this unit is connected to another DVCAM VCR, it is possible to copy compressed signals between the two VCRs.


SDI (serial digital interface)/AES/EBU (optional

DSBK-1801 SDI/AES/EBU Input/Output Board): When the unit is fitted with the optional DSBK-1801 board, it can input and output D1 (component) format digital video and audio signals and also AES/EBU-format digital audio signals.

i.LINK (DV)** (optional DSBK-1803 i.LINK/DV

Input/Output Board): When the unit is fitted with the optional DSBK-1803 board (i.LINK compatible), it can input and output digital video and audio signals in DV format.

* SDTI is the name of a standard interface established as SMPTE 305M. QSDI is a type of SDTI. This unit uses SDTI to transmit DV data, and the input/output connectors are labeled "SDTI (QSDI)."

** i.LINK and  are trademarks and indicate that this product is in agreement with IEEE1394-1995 specifications and their revisions.

Analog interfaces

The unit also comes with analog interfaces enabling it to be connected to analog video and audio equipment.

Analog video: These interfaces include a component interface, composite interface, and S-video interface.

Analog audio: Four channels each of input and output are provided. It is also possible to connect a microphone to the unit.

Facilities for High-Efficiency Editing

The unit provides an abundance of functions that enhance editing efficiency and precision.

Cross-fade editing

For audio editing, you can select from cut-in editing, fade-in/fade-out editing, and cross-fade editing.

Support for ClipLink function

In response to commands sent from the EditStation, index pictures recorded on tape or ClipLink log data recorded in the cassette memory can be transferred to the EditStation. The EditStation operator can then efficiently use these pictures and data in a preliminary editing session.

For an overview of the ClipLink function, see the appendix "ClipLink Guide" (page 110).

Internal time code generator and reader

An internal time code generator and reader enables time code compliant with SMPTE (for DSR-1800)/EBU (DSR-1800P) format to be recorded and played back. This allows editing to single frame precision.

Outputting or inputting time code (LTC) to or from an external device is also possible using the TIME CODE IN/OUT connectors.

The unit is also compatible with VITC.

Remote control

The unit can be operated by remote control from an editing control unit that supports the RS-422A interface or from an optional SIRCS*-compatible remote control unit such as the DSRM-10.

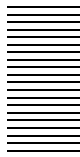
* SIRCS (Sony Integrated Remote Control System): A command protocol to remote control Sony professional videocassette recorders/players.

Playback control using search dial

The search dial on the front panel of the unit allows you to carry out playback operation in jog or shuttle mode without requiring an external editing control unit or remote control unit to be connected to the unit.

High-speed search function

The unit has a picture search function that allows you to view color picture at playback speeds up to 85 times normal speed in forward and reverse directions. When remote-controlling this unit in shuttle mode from an editing control unit or a remote control unit, you can search at any speed in the range 0 (still) to 60 times normal speed in both directions. You can also search frame-by-frame in jog mode.



At search speeds up to 10 times normal speed in both directions, you can also hear playback audio.

Digital slow-motion playback

Using the frame memory function, the unit can show noise-free slow-motion playback at speeds ranging from 0 to $\frac{1}{2}$ times normal speed in both directions.

Digital jog sound function

When searching at speeds in the range $+1$ to $+\frac{1}{30}$ or $-\frac{1}{30}$ to -1 * times normal speed, the digital jog sound function is enabled. The audio signal is saved in temporary memory, and replayed according to the search speed. This allows searching on the sound track.

* The positive direction refers to forward movement of the tape, and the negative direction to reverse movement.

Video process control

For analog video output and SDI-format video output, you can adjust the video output level, chroma signal output level, setup level (for DSR-1800), black level (for DSR-1800P), and chroma phase.

Other Features

Menu system for functionality and operation settings

The unit provides a menu system to make its various functions easier to use and set up its operation conditions.

Superimposition function

Time code values, operation mode indications, error messages, and other text data can be superimposed and output in analog composite video signals.

Easy maintenance functions

Self-diagnostic/alarm function: This function automatically detects setup and connection errors, operation faults, and other problems. It also displays a description of the problem, its cause, and the recommended response on the video monitor screen or time counter display.

Digital hours meter: The digital hours meter functions include four kinds of tally operations for operating hours, head drum usage hours, tape transport hours, and tape threading/unthreading times. The tally results can be viewed on the video monitor or the time counter display.

Compatible with wide-screen aspect ratio (16:9)

The unit can record and play back aspect ratio information. When video accompanied by wide-screen aspect ratio information is recorded or played back, the unit can output the video signal also containing the aspect ratio information.

Rack mountable

When you use the optional RMM-130 Rack Mount Kit, you can mount this unit onto an EIA-standard 19-inch rack (height = 4 units).

Optional Accessories

DSBK-1801 SDI/AES/EBU Input/Output Board

When installed in the unit, this optional board enables digital video and audio signals in the D1 format and also AES/EBU-format digital audio signals to be transferred between this unit and digital Betacam VCRs or other digital equipment.

DSBK-1802 SDTI (QSDI) Input/Output Board

This interface allows video, audio and time code signals in SDTI (QSDI) format to be transferred at normal speed between this unit and the Sony EditStation. When this unit is connected to another DVCAM VCR, it is possible to copy compressed signals between the two VCRs.

DSBK-1803 i.LINK/DV Input/Output Board

This board allows you to connect the unit to other equipment provided with a Sony DV connector to carry out editing or dubbing of digital video and audio signals.

RMM-130 Rack Mount Kit

This kit can be used to mount the unit onto an EIA-standard 19-inch rack.

Using the CD-ROM Manual

The supplied CD-ROM includes Operating Instructions for the DSR-series Digital Video Cassette Recorder or Player (English, Japanese, French, German, Italian and Spanish (DSR-1500A only) versions).

CD-ROM System Requirements

The following are required to access the supplied CD-ROM disc.

- Computer: PC with MMX Pentium 166 MHz or faster CPU, or Macintosh computer with PowerPC CPU.
 - Installed memory: 32 MB or more
 - CD-ROM drive: × 8 or faster
- Monitor: Monitor supporting resolution of 800 × 600 or higher

When these requirements are not met, access to the CD-ROM disc may be slow, or not possible at all.

Preparations

The following software must be installed on your computer in order to use the Operating Instructions contained in the CD-ROM disc.

- Microsoft Internet Explorer Version 4.0 or higher, or Netscape Navigator Version 4.0 or higher
- Adobe Acrobat Reader Version 4.0 or higher

Note

- If Microsoft Internet Explorer is not installed, it may be downloaded from the following URL:
- <http://www.microsoft.com/ie>
- If Netscape Navigator is not installed, it may be downloaded from the following URL:
- <http://home.netscape.com/>
- If Adobe Acrobat Reader is not installed, it may be downloaded from the following URL:
- <http://www.adobe.com/products/acrobat/readstep.html>

To Read the CD-ROM Manual

To read the Operating Instructions contained in the CD-ROM disc, do the following.

- 1 Insert the CD-ROM disc in your CD-ROM drive.

A cover page appears automatically in your browser. If it does not appear automatically in the browser, double click the index.htm file on the CD-ROM disc.

- 2 Select and click the Operating Instructions that you want to read.

A PDF file of the Operating Instructions opens.

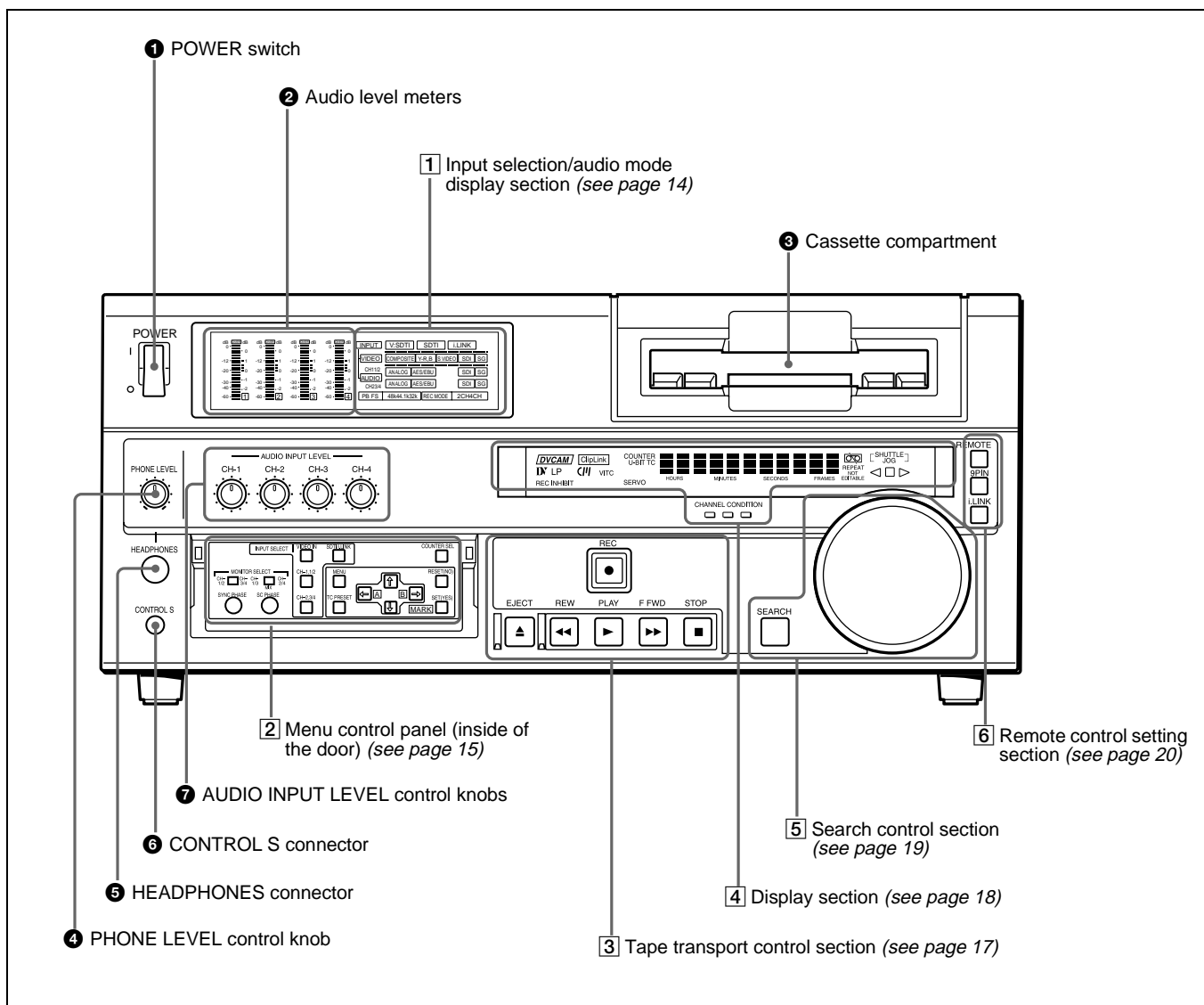
Note

If you lose the CD-ROM disc or become unable to read its content, for example because of a hardware failure, contact a Sony service representative.

- MMX and Pentium are registered trademarks of Intel Corporation or its subsidiaries in the United States and other countries.
- PowerPC is a registered trademark of International Business Machines Corporation.
- Macintosh is a registered trademark of Apple Computer, Inc.
- Microsoft is a registered trademark of Microsoft Corporation in the United States and/or other countries.
- Netscape Navigator is a registered trademark of Netscape Communications Corporation in the U.S. and other countries.
- Adobe and Acrobat are registered trademarks of Adobe Systems Incorporated in the United States and/or other countries.

Location and Function of Parts

Front Panel



1 POWER switch

Press the “I” side to power the unit on. When the unit is powered on, the display windows in the front panel lights. To power the unit off, press the “O” side of the switch.

2 Audio level meters

These show the audio levels of channels 1 to 4 (recording levels in recording mode or E-E mode* and playback level in playback mode).

* E-E mode: Abbreviation of “Electric-to-Electric mode.” In this mode, video and audio signals input to the VCR are output after passing through internal electric circuits, but not through magnetic conversion circuits such as heads and tapes. This can be used to check input signals and for adjusting input signal levels.

3 Cassette compartment

Accepts DVCAM, DV and DVCPRO (25M) videocassettes.

For details of usable cassettes, see page 27.

4 PHONE LEVEL control knob

Controls the volume of the headphones connected to the HEADPHONES connector.

5 HEADPHONES connector (stereo phone jack)

Connect stereo headphones for headphone monitoring during recording or playback.

The audio signal you want to monitor can be selected with the MONITOR SELECT switches on the menu control panel.

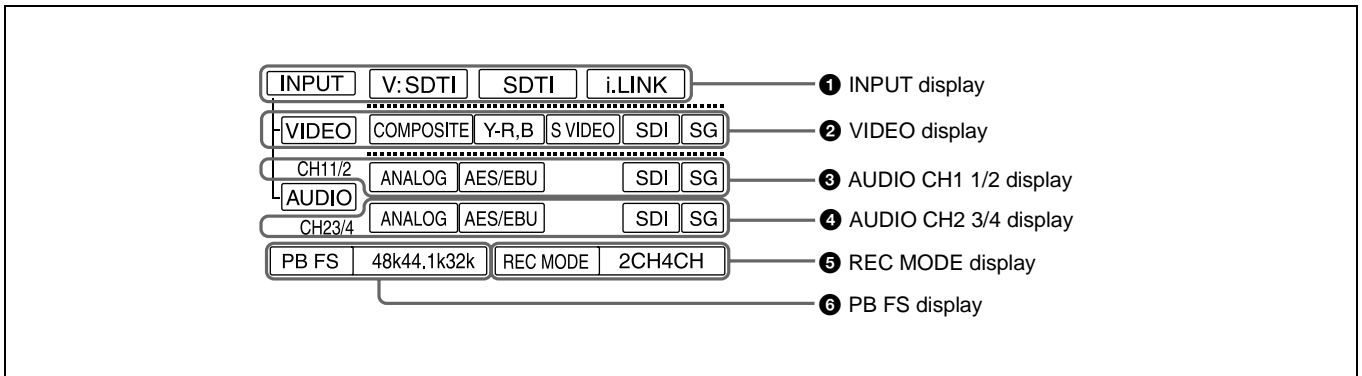
6 CONTROL S connector (stereo minijack)

Connect a SIRCS-compatible remote control unit such as the DSRM-10.

7 AUDIO INPUT LEVEL control knobs

When recording, you can use these knobs to set audio input levels for CH-1 (channel 1), CH-2, CH-3 and CH-4, respectively.

You can make these knobs inoperative with the REC LEVEL menu item (*see page 70*).

1 Input selection/audio mode display section**1 INPUT display**

Indicates the input signal selected with the SDTI/i.LINK button in the INPUT SELECT section.

V:SDTI: Digital video signal in SDTI(QSDI) format
SDTI: Digital video and audio signals in SDTI(QSDI) format

i.LINK: Digital video and audio signals in i.LINK-compatible DV format

The SDTI/i.LINK button to function fully requires the optional DSBK-1802 and 1803 boards to be installed. The signal without the corresponding optional board installed in the unit can be neither selected nor indicated.

2 VIDEO display

Indicates the input video signal selected with the VIDEO IN button in the INPUT SELECT section.

COMPOSITE: Composite video signal

Y-R, B: Y, R-Y and B-Y component video signals

S VIDEO: S-video signal

SDI: SDI video signal (optional DSBK-1801 board required)

SG: Video test signal

3 AUDIO CH1 1/2 display

Indicates the input audio signal selected with the CH-1,1/2 button in the INPUT SELECT section.

ANALOG: Analog audio signal

AES/EBU: Digital audio signal in AES/EBU format (optional DSBK-1801 board required)

SDI: SDI audio signal (optional DSBK-1801 board required)

SG: Audio test signal

4 AUDIO CH2 3/4 display

Indicates the input audio signal selected with the CH-2,3/4 button in the INPUT SELECT section. The indications available are the same as for the AUDIO CH1 1/2 display described above.

5 REC MODE (audio recording mode) display

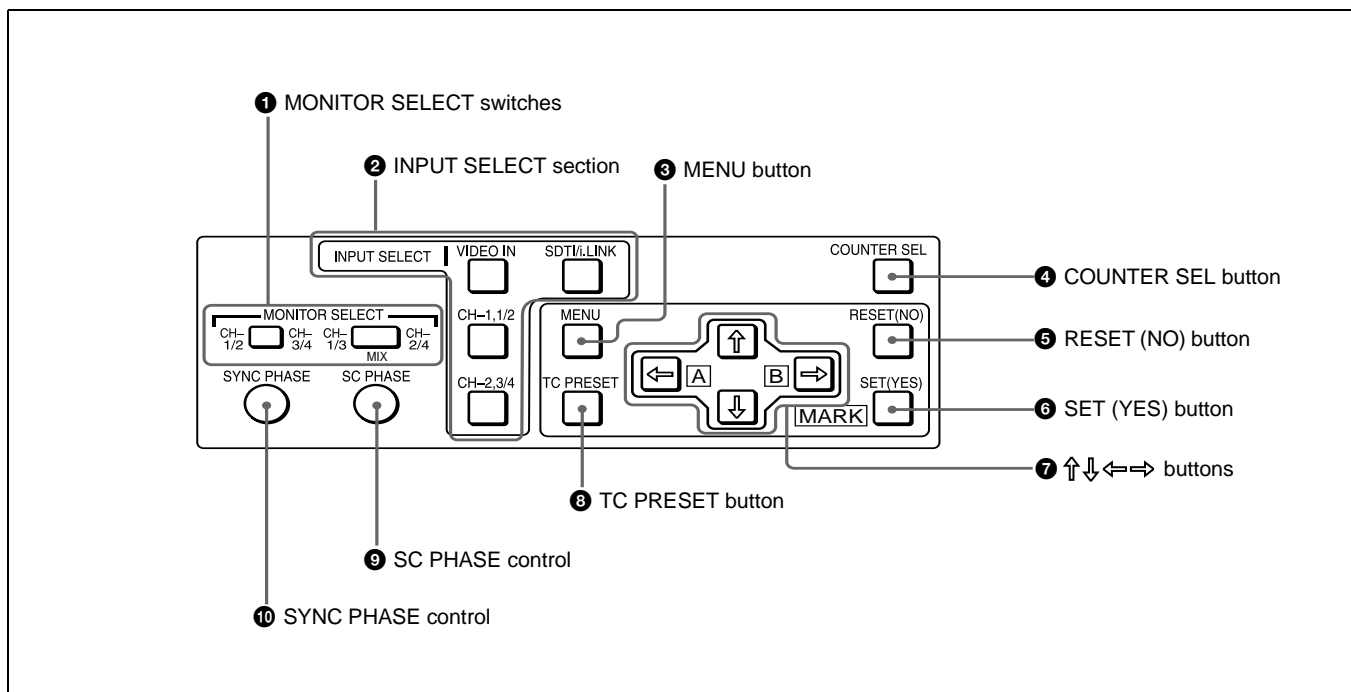
Indicates the audio recording mode (2CH or 4CH) selected with the REC MODE menu item (*see page 69*).

6 PB FS (playback audio sampling frequency) display

Indicates the sampling frequency (48 kHz, 44.1 kHz or 32 kHz) at which audio is recorded on tape.

2 Menu control panel

The menu control panel is located on the inside of the door at the lower front of the unit. Pull the top of the door to open it.



1 MONITOR SELECT switches

Use these switches to select the channels for audio output via the AUDIO MONITOR OUT connector on the rear panel and the HEADPHONES connector on the front panel.

Use the left switch to select the basic channel setting, then use the right switch to select the output format (monaural, stereo, or mix).

The following table lists the correspondence of left/right switch settings and channel/output format selections.

Switch setting		Selected channel and output format	
Left switch	Right switch	HEADPHONES connector	AUDIO MONITOR OUT connector
CH-1/2 <input type="checkbox"/> CH-3/4	CH-1/3 <input type="checkbox"/> CH-2/4 MIX	Channel 1 only (monaural)	Channel 1 only (monaural)
	CH-1/3 <input type="checkbox"/> CH-2/4 MIX	Channels 1 and 2 (stereo)	Channels 1 and 2 (mix)
	CH-1/3 <input type="checkbox"/> CH-2/4 MIX	Channel 2 only (monaural)	Channel 2 only (monaural)
CH-1/2 <input type="checkbox"/> CH-3/4	CH-1/3 <input type="checkbox"/> CH-2/4 MIX	Channel 3 only (monaural)	Channel 3 only (monaural)
	CH-1/3 <input type="checkbox"/> CH-2/4 MIX	Channels 3 and 4 (stereo)	Channels 3 and 4 (mix)
	CH-1/3 <input type="checkbox"/> CH-2/4 MIX	Channel 4 only (monaural)	Channel 4 only (monaural)

2 INPUT SELECT section

VIDEO IN button

Each press of this button cycles through the following input video signal selection options.

- Composite video signal input to the VIDEO IN connectors
- Component video signals input to the COMPONENT VIDEO IN connectors
- S-video signal input to the S VIDEO IN connector
- SDI video signal input to the SDI IN connector (optional DSBK-1801 board required)
- Video test signal (selected with the INT VIDEO SG menu item (*see page 68*) generated by the internal signal generator

In the input selection/audio mode display section, the VIDEO display shows the selection made with this button.

CH1,1/2 (audio channel 1 or 1/2) button

Each press of this button cycles through the following input audio signal selection options for audio channel 1 (when in 2-channel mode) or for audio channels 1 and 2 (when in 4-channel mode).

- Analog audio signal(s) input to the AUDIO IN CH-1 connector (when in 2-channel mode) or AUDIO IN CH-1 and CH-2 connectors (when in 4-channel mode)
- Digital audio signal in AES/EBU format input to the DIGITAL AUDIO (AES/EBU) IN CH-1/2 connector (optional DSBK-1801 board required)
- SDI audio signal input to the SDI IN connector (optional DSBK-1801 board required)
- Audio test signal (selected with the INT AUDIO SG menu item (*see page 71*) generated by the internal signal generator

In the input selection/audio mode display section, the AUDIO CH1 1/2 display shows the selection made with this button.

CH2,3/4 (audio channel 2 or 3/4) button

Each press of this button cycles through the input audio signal selection options for audio channel 2 (when in 2-channel mode) or for audio channels 3 and 4 (when in 4-channel mode). The input audio signal selection options corresponding to those for the CH1,1/2 button described above are available.

In the input selection/audio mode display section, the AUDIO CH2 3/4 display shows the selection made with this button.

SDTI/i.LINK (SDTI(QSDI) interface/i.LINK selection) button

Each press of this button cycles through the following input signal selection options.

- Digital video signal in SDTI(QSDI) format input to the SDTI(QSDI) IN connector (optional DSBK-1802 board required)

When this is selected, use the CH1,1/2 button and CH2,3/4 button to select the required input audio signals.

Note

In this case, the phases of the selected audio signals will be about two frames ahead of the phase of the digital video signal in SDTI (QSDI) format.

- Digital video and audio signals in SDTI(QSDI) format input to the SDTI(QSDI) IN connector (optional DSBK-1802 board required)
- Digital video and audio signals in i.LINK-compatible DV format, input to the DV IN/OUT connector (optional DSBK-1803 board required)

In the input selection/audio mode display section, the INPUT display shows the selection made with this button.

3 MENU button

Press this button to display the menu on the monitor screen and the time counter display. Press it again to return from the menu display to the usual display.

On how to use the menu, see Chapter 4 “Menu Settings.”

4 COUNTER SEL (selection) button

Selects the type of time data to be shown in the time counter display. Each press of this button cycles through three indicator display options: COUNTER (CNT: count value of the time counter), TC (time code), and U-BIT (user bits).

Note

When the REMOTE button in the remote control setting section is lit, the COUNTER SEL button does not operate. In this case, make the time data selection via the remote equipment that is connected to the REMOTE connector on the rear panel.

5 RESET (NO) button

Press this button to:

- reset menu settings,
- reset the time count (COUNTER) shown in the time counter display to zero, or
- send a negative response to the prompts issued by the unit.

6 SET (YES) button

Press this button to:

- save new settings, such as selected menu items and time code settings, to the memory of the unit, or
- send a positive response to the prompts issued by the unit.

7 Arrow (↑↓←→) buttons

Use these buttons to move around the menu items, and also for setting time code and user bit data.

For details on setting time code and user bit data, see “Using the Internal Time Code Generator” on page 49.

8 TC (time code) PRESET button

Use this button when setting an initial time code value and user bit data.

For details on setting time code and user bit data, see “Using the Internal Time Code Generator” on page 49.

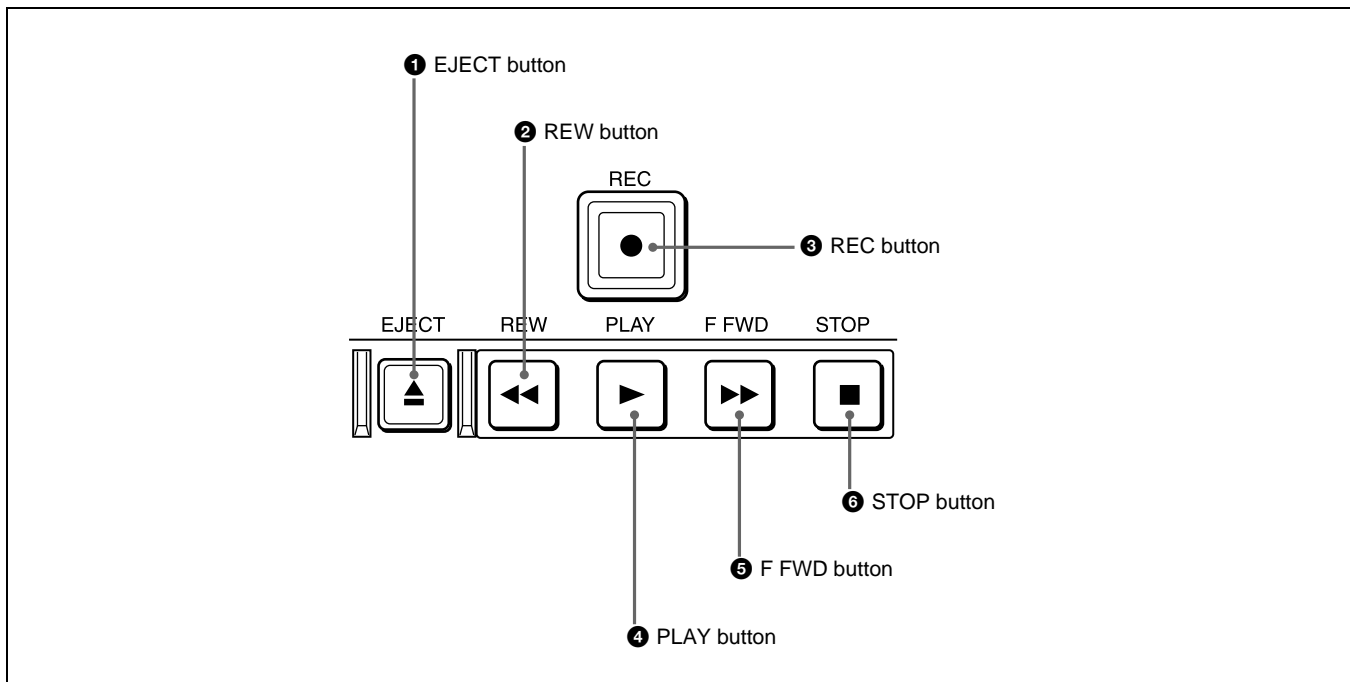
9 SC (subcarrier) PHASE control

Turn this control to accurately adjust the subcarrier phase of the composite video output signal of the unit with respect to the reference video signal. Use a cross-point (Phillips) screwdriver to turn it.

10 SYNC (synchronization) PHASE control

Turn this control to accurately adjust the synchronization phase of the output video signal of the unit with respect to the reference video signal. Use a cross-point (Phillips) screwdriver to turn it.

3 Tape transport control section



1 EJECT button

When you press this button, it lights and the cassette is automatically ejected after a few seconds.

2 REW (rewind) button

When you press this button, it lights and the tape starts rewinding (maximum 85 times normal speed). When the F. FWD/REW menu item (see page 63) is set to PB, you can monitor the playback picture during the rewind.

3 REC (record) button

When you press this button while holding down the PLAY button, it lights and recording begins.

4 PLAY button

When you press this button, it lights and playback begins. If you press this button during recording or editing, the recording or editing operation is stopped and this unit enters playback mode.

5 F FWD (fast forward) button

When you press this button, it lights and the tape is fast forwarded (maximum 85 times normal speed). When the F. FWD/REW menu item (see page 63) is set to PB, you can monitor the playback picture during the fast forward.

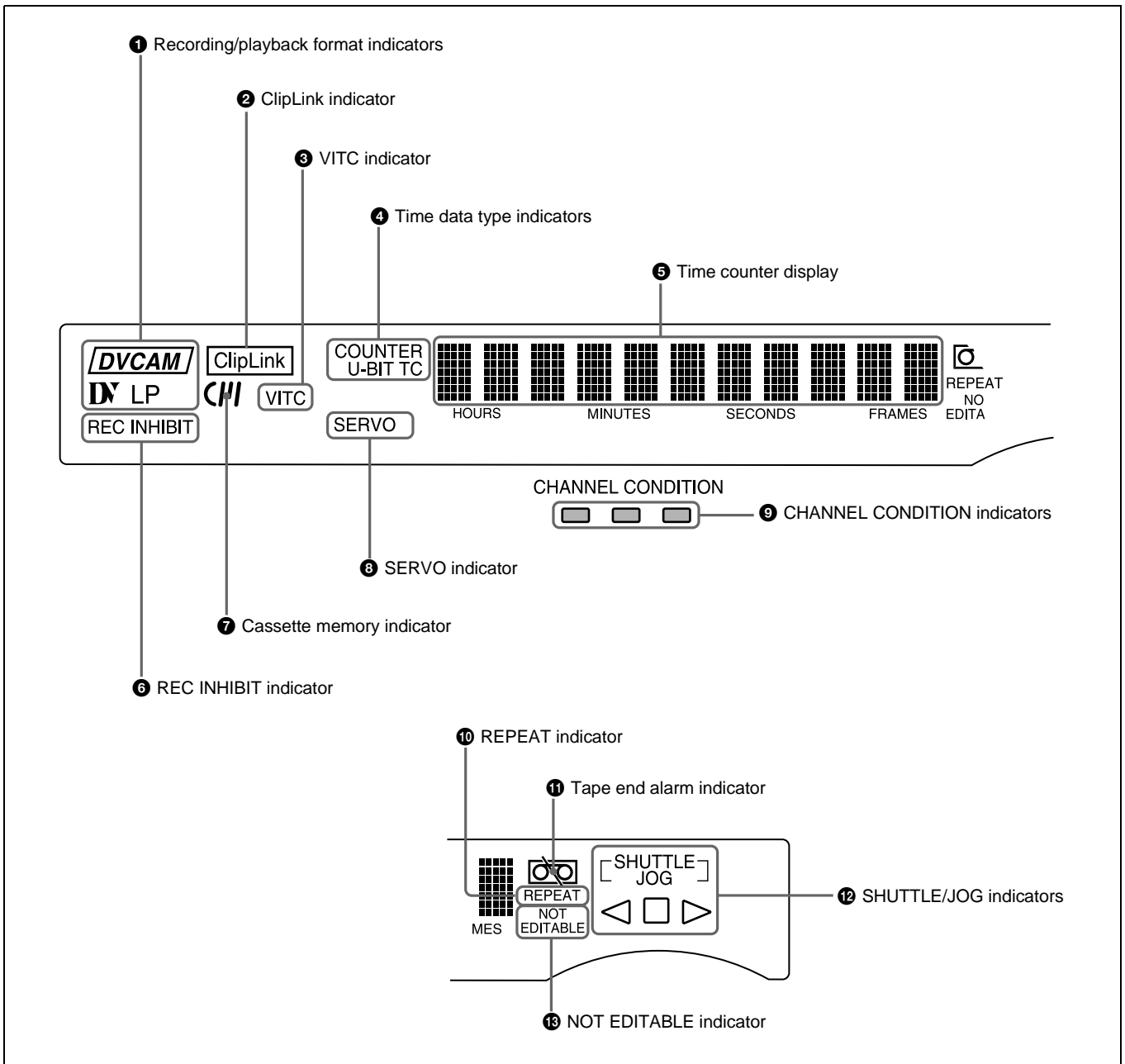
6 STOP button

Press this button to stop the current tape transport operation.

Note

No tape transport control buttons other than the EJECT and STOP buttons will work while the REMOTE button in the remote control setting section is lit. This can be changed with the LOCAL ENABLE menu item (see page 63).

4 Display section



1 Recording/playback format indicators

DVCAM: This lights when a tape recorded in DVCAM format is played back.

DV: This lights when a tape recorded in consumer DV format is played back.

LP: This lights when a tape recorded in LP mode is played back.

When a tape recorded in DVCPRO (25M) format or any other format than those mentioned above is played back, none of the above indicators lights.

Note

A tape recorded in LP mode cannot be played back correctly. When a tape recorded in LP mode is played back, “DV LP” flashes and audio is muted.

2 ClipLink indicator

Lights when a cassette is loaded on which ClipLink log data is stored in the cassette memory.

For details of ClipLink log data, see the appendix “ClipLink Guide” (page 110).

③ VITC indicator

Lights when VITC is being read or recorded regardless of the data shown in the time counter display.

④ Time data type indicators

One of the three indicators (COUNTER, U-BIT, and TC) lights to indicate the type of time data currently shown in the time counter display.

COUNTER: Count value of the time counter

U-BIT: User bit data

TC: SMPTE time code (for DSR-1800) or EBU time code (for DSR-1800P)

⑤ Time counter display

Indicates the count value of the time counter, time code, VITC, or user bit data depending on the settings of the COUNTER SEL button on the menu control panel and the TC SELECT menu item (see page 66).

Also used to display error messages and setup menu data.

⑥ REC (recording) INHIBIT indicator

Lights in the following cases:

- The REC/SAVE switch on the loaded cassette is in the SAVE position.
- The REC INHIBIT menu item (see page 63) is set to ON.

⑦ Cassette memory indicator

Lights when a cassette provided with a memory chip (“cassette memory”) is loaded.

⑧ SERVO indicator

This indicator lights when the drum servo and capstan servo are locked*.

* Servo lock: This refers to the synchronization of the phase of the drum rotation and the reference signal for the tape transport position, so that the video heads can trace the same pattern on the tape for playback and recording.

⑨ CHANNEL CONDITION indicators

These three-color indicators show the state of the playback signal.

Green: The state of the playback signal is good.

Yellow: The playback signal is somewhat deteriorated, but playback is possible.

Red: The playback signal is deteriorated. When the red indicator remains on, head cleaning or an internal inspection is necessary.

⑩ REPEAT indicator

This indicator lights when the REPEAT MODE menu item (see page 62) is set to ON.

⑪ Tape end alarm indicator

Starts flashing when the remaining capacity of the tape is for about 2 minutes.

⑫ SHUTTLE/JOG indicators

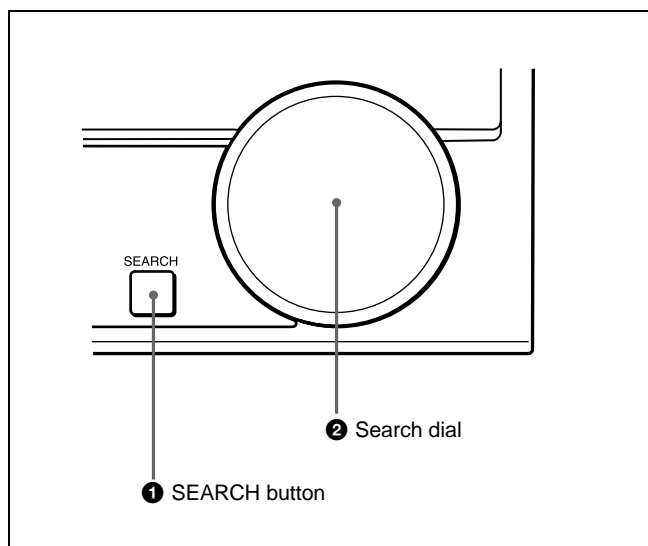
When searching in shuttle mode using the search dial, the SHUTTLE indicator lights, and when searching in jog mode using the search dial, the JOG indicator lights. When the search dial is turned clockwise causing playback to take place in the forward direction, the ▷ indicator lights. When the search dial is turned counterclockwise causing playback to take place in the reverse direction, the ◁ indicator lights. When the tape is stopped, the □ indicator lights.

For more information about the search dial, see “Search dial” in the next section.

⑬ NOT EDITABLE indicator

Lights during playback of a tape that contains a recording in other than the DVCAM format. When this indicator is lit, the recordings contained in the tape can be used as source material for editing, but editing operations such as insert editing and assemble editing cannot be performed. This indicator also lights when the audio recording mode selected on this unit does not coincide with that of the loaded tape.

⑤ Search control section



① SEARCH button

To use the search dial for playback in shuttle or jog mode, press this button, turning it on. Pressing the dial toggles between shuttle and jog modes. In shuttle mode, the SHUTTLE indicator in the display section lights, and in jog mode, the JOG indicator in the display section lights.

② Search dial

Turn this to carry out playback in the modes shown in the following table. Turning the dial clockwise lights the ▷ indicator in the display section and plays back in the forward direction. Turning the dial counterclockwise lights the ◁ indicator in the display section and plays back

in the reverse direction. When the tape is stopped, the □ indicator in the display section lights.

Pressing this dial toggles playback between shuttle mode and jog mode. When playing back in shuttle mode, the SHUTTLE indicator in the display section lights, and when playing back in jog mode, the JOG indicator lights. You can carry out noiseless playback in the range of $\pm 1/2$ times normal speed.

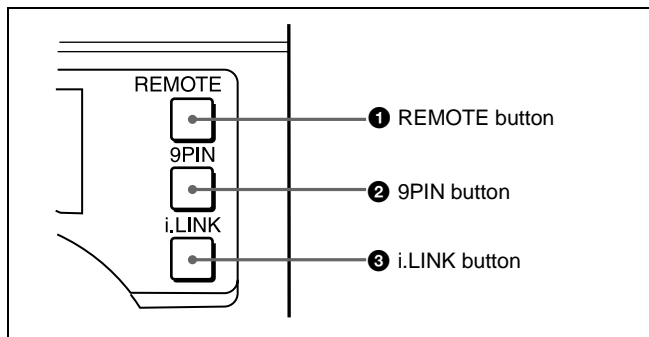
Playback modes using the search dial

Playback mode	Operation and functions
Shuttle	Press the SEARCH button or the search dial so that the SHUTTLE indicator in the display section lights, then turn the search dial. Playback is carried out at a speed determined by the position of the search dial. The maximum shuttle mode playback speed can be changed with the SHUTTLE menu item (<i>see page 63</i>).
Jog	Press the SEARCH button or the search dial so that the JOG indicator in the display section lights, then turn the search dial. Playback is carried out at a speed determined by the speed of rotation of the search dial. The playback speed is up to ± 1 times normal speed by factory default. The search dial has no detents.

You can use the SEARCH ENABLE menu item (*see page 63*) to select either of the following as the operation to be performed to put the unit into search mode (shuttle or jog).

- Either press the SEARCH button or, except during recording/editing, turn the search dial (factory default setting).
- Press the SEARCH button.

6 Remote control setting section



1 REMOTE button

When remote-controlling this unit from the unit connected to the REMOTE connector or i DV IN/OUT connector, press this button, turning it on.

When reverting to local mode to use the buttons in the tape transport control section, press this button again, turning it off.

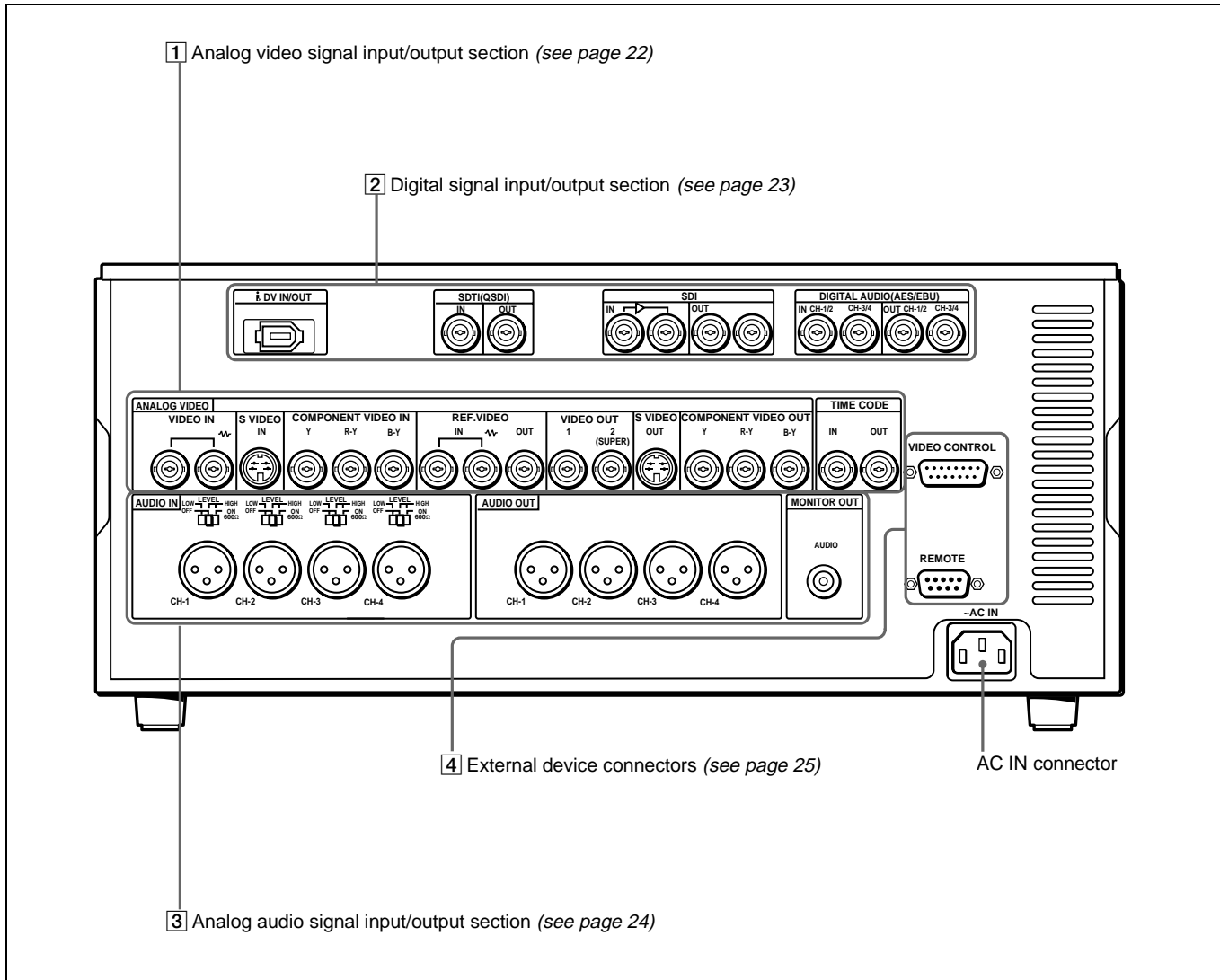
2 9PIN button

When carrying out remote control between this unit and the unit connected to the REMOTE connector, press this button, turning it on.

3 i.LINK button

When carrying out remote control between this unit and the unit connected to the i DV IN/OUT connector, press this button, turning it on. This requires the optional DSBK-1803 board to be installed.

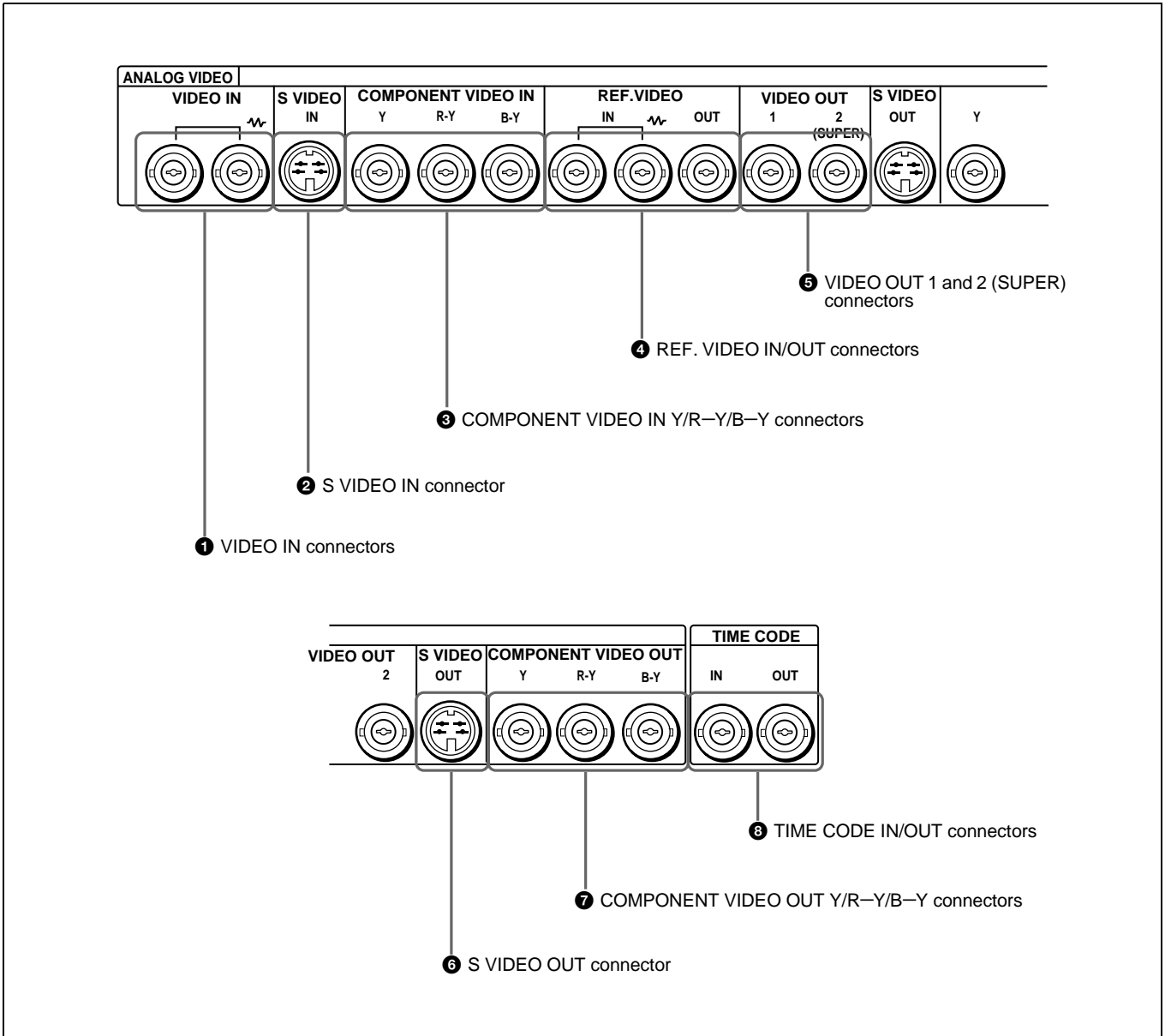
Rear Panel



AC IN connector

Use the supplied power cord to connect this to an AC outlet.

1 Analog video signal input/output section



1 VIDEO IN connectors (BNC type)

Input an analog composite video signal. This connector block has a built-in automatic 75 Ω termination switch. When a signal is input to the left VIDEO IN connector with no bridging (loop-through) connection made, the connector is terminated with an impedance of 75 Ω automatically. To connect the signal input to the left VIDEO IN connector also to other equipment, use the right VIDEO IN connector (marked ∞). When the right VIDEO IN connector is used, the built-in 75 Ω termination switch turns off automatically.

2 S VIDEO IN connector (4-pin)

Input an S-video signal with separated Y (luminance) and C (chroma: 3.58 MHz for DSR-1800 or 4.43 MHz for DSR-1800P) components to this connector.

3 COMPONENT VIDEO IN Y/R-Y/B-Y connectors (BNC type)

Input analog component video signals (Y/R-Y/B-Y) to these connectors.

4 REF. (reference) VIDEO IN/OUT connectors (BNC type)

Input a reference video signal. The IN connector block has a built-in automatic 75 Ω termination switch. When a signal is input to the left REF. VIDEO IN connector with no bridging (loop-through) connection made, the connector is terminated with an impedance of 75 Ω automatically. To connect the reference video signal input to the left REF. VIDEO IN connector also to other equipment, use the right REF. VIDEO IN connector (marked ∞). When the right REF. VIDEO IN connector

is used, the built-in 75 Ω termination switch turns off automatically.
 The REF. VIDEO OUT connector outputs a reference video signal, except when i.LINK is selected in the INPUT SELECT section (see page 16).

5 VIDEO OUT 1 and 2 (SUPER) connectors (BNC type)

These connectors output analog composite video signals. When the CHARA. DISPLAY menu item (see page 65) is set to ON (factory default setting), connector 2 (SUPER) outputs a signal with superimposed text information.

6 S VIDEO OUT connector (4-pin)

This connector outputs an S-video signal with separated Y (luminance) and C (chroma: 3.58 MHz for DSR-1800 or 4.43 MHz for DSR-1800P) components.

7 COMPONENT VIDEO OUT Y/R–Y/B–Y connectors (BNC type)

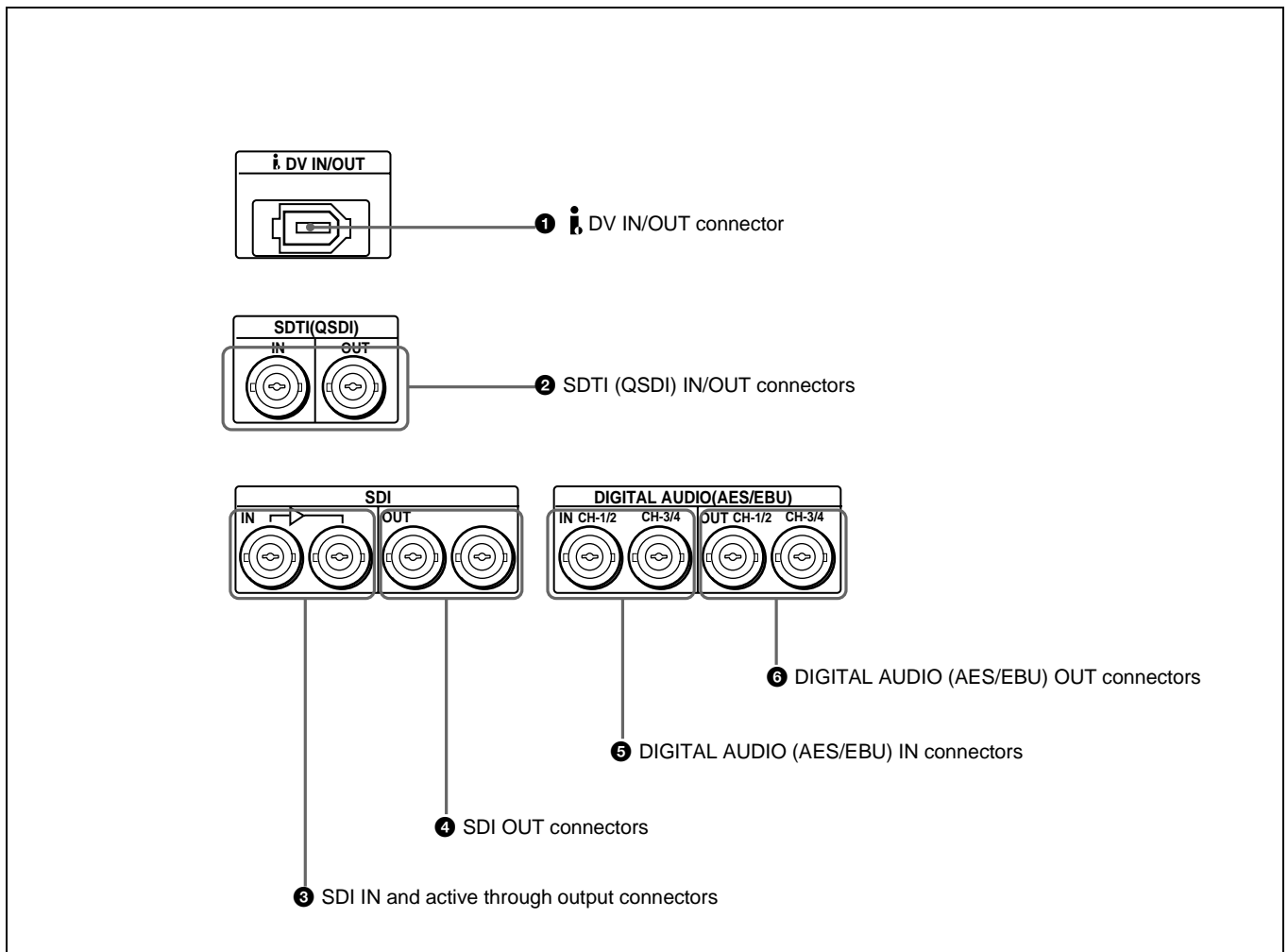
These connectors output analog component video signals (Y/R–Y/B–Y).

8 TIME CODE IN/OUT connectors (BNC type)

Input SMPTE time code (for DSR-1800) or EBU time code (for DSR-1800P) externally generated to the IN connector.

The OUT connector outputs a time code according to the operating state of the unit, as follows:
 During playback: the playback time code
 During recording: the time code generated by the internal time code generator or the time code input to the TIME CODE IN connector. When the EE OUT PHASE menu item (see page 67) is set to MUTE, no time code is output.

2 Digital signal input/output section (optional DSBK-1801/1802/1803 boards required)



1 i.LINK DV IN/OUT connector (6-pin IEEE-1394) (optional DSBK-1803 i.LINK/DV Input/Output Board required)

This i.LINK-compatible connector (subsequently referred to also as the i.DV IN/OUT connector) inputs and outputs digital video and audio signals in DV format.

Note

When searching at speeds in the range $+1/2$ to $+1/30$ or $-1/2$ to $-1/30$ times normal speed, the audio signal output from this connector and monitored on external equipment may sound differently from the audio signal played back on this unit.

2 SDTI (QSDI) (Serial Data Transport Interface (QSDI)) IN/OUT connectors (BNC type) (optional DSBK-1802 SDTI (QSDI) Input/Output Board required)

The IN connector inputs and the OUT connector outputs digital video and audio signals in SDTI (QSDI) format.

Note

When searching at speeds in the range $+1/2$ to $+1/30$ or $-1/2$ to $-1/30$ times normal speed, the audio signal output from this connector and monitored on external equipment may sound differently from the audio signal played back on this unit.

3 SDI (Serial Digital Interface) IN (input) and active through output connectors (BNC type) (optional DSBK-1801 SDI/AES/EBU Input/Output Board required)

Input digital video and audio signals in SDI format to the left-hand connector. The right-hand connector is for an active-through connection.

4 SDI (Serial Digital Interface) OUT connectors (BNC type) (optional DSBK-1801 SDI/AES/EBU Input/Output Board required)

Output SDI-format digital video and audio signals. The same signals are output from both connectors.

5 DIGITAL AUDIO (AES/EBU) IN connectors (BNC type) (optional DSBK-1801 SDI/AES/EBU Input/Output Board required)

Input digital audio signals in AES/EBU format to these connectors.

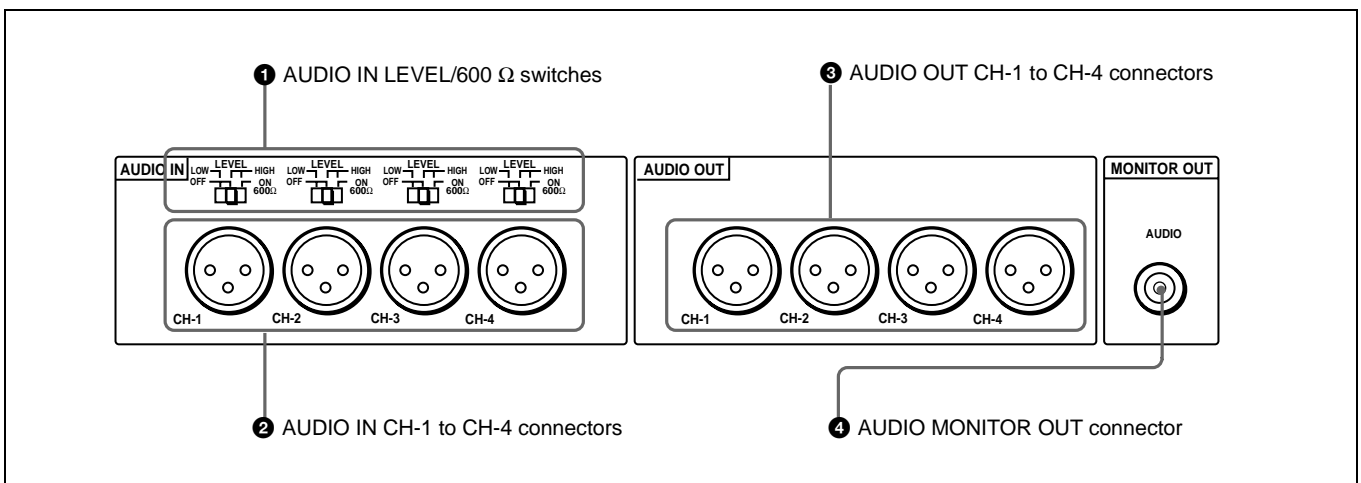
The left-hand connector (CH-1/2) is for audio channels 1 and 2, and the right-hand connector (CH-3/4) is for audio channels 3 and 4.

6 DIGITAL AUDIO (AES/EBU) OUT connectors (BNC type) (optional DSBK-1801 SDI/AES/EBU Input/Output Board required)

These connectors output digital audio signals in AES/EBU format.

The left-hand connector (CH-1/2) is for audio channels 1 and 2, and the right-hand connector (CH-3/4) is for audio channels 3 and 4.

3 Analog audio signal input/output section



1 AUDIO IN LEVEL/600 Ω switches

Set these switches for each channel as shown in the following table, according to the audio input levels to the AUDIO IN CH-1 to CH-4 connectors and the required impedance.

Settings of the AUDIO IN LEVEL/600 Ω switches

Audio input		Switch setting
Level	Impedance	
-60 dBu (microphone input)	High impedance (about 20 kΩ)	LOW-OFF (left position)
+4/0/-3 ^{a)} /-6 dBu (line audio input)	High impedance (about 20 kΩ)	HIGH-OFF (middle position)
+4/0/-3 ^{a)} /-6 dBm (line audio input)	600 Ω	HIGH-ON (right position)

a) Selectable on DSR-1800P only

2 AUDIO IN CH-1 (channel 1) to CH-4 connectors (XLR 3-pin, female)

Use these connectors to connect separate channels of analog audio input from a player VCR or other external audio equipment.

You can switch the audio input level setting with the LEVEL SELECT menu item (*see page 71*).

3 AUDIO OUT CH-1 (channel 1) to CH-4 connectors (XLR 3-pin, male)

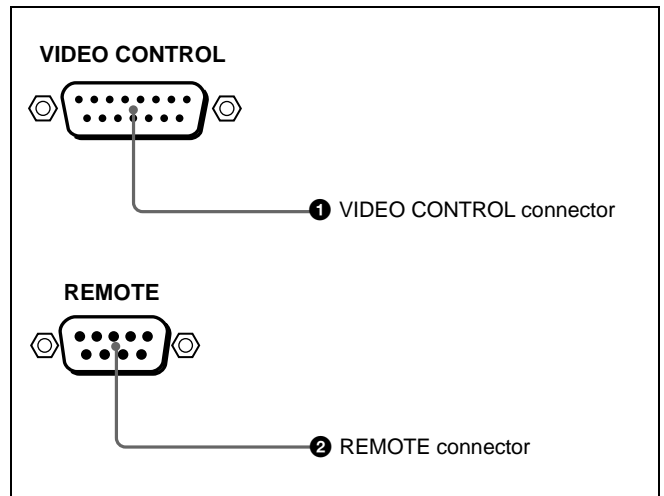
These connectors output channel-1 to channel-4 analog audio signals, respectively.

It is possible to use the AUDIO OUT CH-3 and AUDIO OUT CH-4 connectors for audio monitor output for channels 1 and 2, respectively (use the OUTPUT CH3/4 menu item (*see page 71*)).

4 AUDIO MONITOR OUT connector (RCA phono jack)

This connector outputs audio signals for monitoring. The audio signals to be output from this connector can be selected with the MONITOR SELECT switches on the menu control panel.

4 External device connectors



1 VIDEO CONTROL connector (D-sub 15-pin)

For remote control of the internal digital video processor, connect an optional remote control unit such as the UVR-60/60P or BVR-50/50P to this connector.

2 REMOTE connector (D-sub 9-pin)

When controlling this unit from an editing control unit such as the ES-3, ES-7, PVE-500, BVE-600/800/910/2000, or RM-450/450CE, connect the unit to the editing control unit via this connector using the optional 9-pin remote control cable.



Usable Cassettes

This unit can use the DVCAM cassettes listed below.

Model name	Size
PDV-64ME/94ME/124ME/184ME	Standard size
PDVM-12ME/22ME/32ME/40ME	Mini size

The numbers in each model name indicate the maximum recording/playback time (in minutes) for each model. For example, the PDV-184ME has a maximum recording/playback time of 184 minutes.

Cassettes usable for playback only

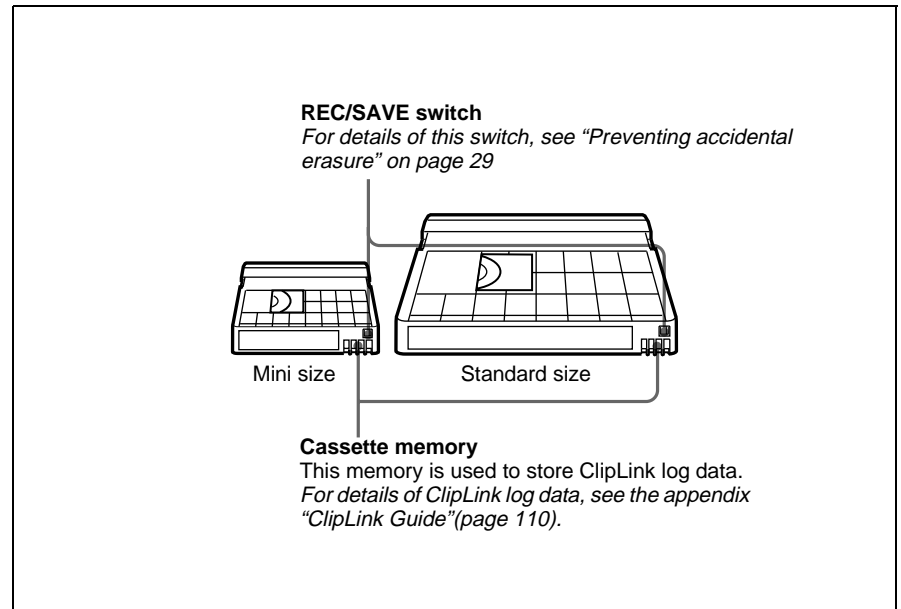
All consumer DV cassettes and large- and medium-size DVCPRO (25M) cassettes are usable for playback only.

Notes

- If you insert an incorrect type of cassette, it will be automatically ejected.
- When operating this unit as a player, you can also use DV cassettes on the unit. However, it is the best choice to always use DVCAM cassettes because they are more reliable than DV cassettes whatever your purpose may be: playback, editing, or long-period storage of recordings.
- Cassettes that have been recorded by a DV-format recorder can be played back on this unit but cannot be used for recording at editing operation. When you insert such a cassette into this unit, the NOT EDITABLE indicator lights up in the display section on the front panel of this unit.

DVCAM cassettes

The following figure illustrates the DVCAM cassettes.



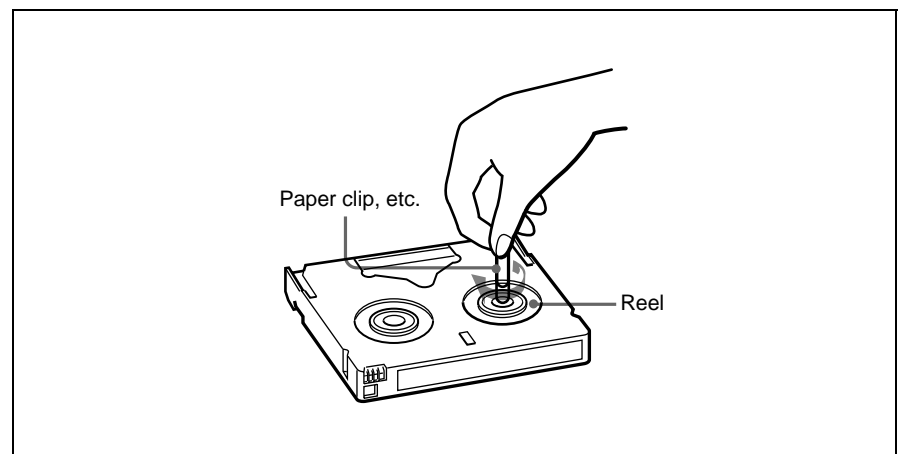
Notes on using cassettes

- Before storing the cassette for a long period of time, rewind the tape to the beginning and be sure to put the cassette in its storage case, preferably on end instead of flat on its side.
Storing a cassette in any other condition (not rewound, out of its case, etc.) may cause the video and audio contents to become damaged over time.
- If the cassette memory connector (contact point) becomes dirty, connection problems may occur, causing a loss of functions. Remove away any dust or dirt from this area before using the cassette.
- If the cassette is dropped on the floor or otherwise receives a hard impact, the tape may become slackened and may not record and/or play back correctly.

For information about how to check the tape for slack, see the next section.

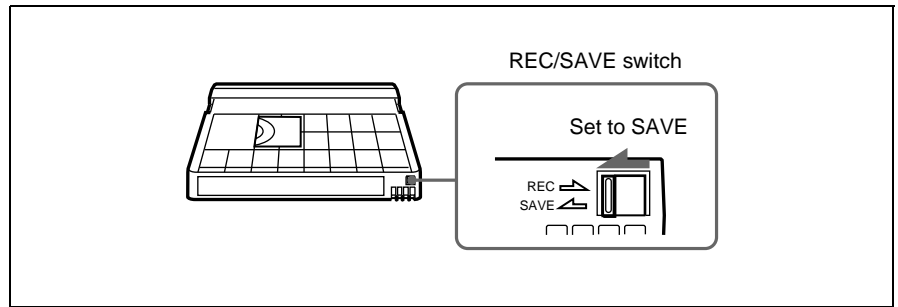
Checking the tape for slack

Using a paper clip or a similar object, turn the reel gently in the direction shown by the arrow. If the reel does not move, there is no slack. Insert the cassette into the cassette compartment, and after about 10 seconds take it out.



Preventing accidental erasure

Set the REC/SAVE switch on the cassette to SAVE to prevent accidental erasure of recorded contents.



To enable re-recording

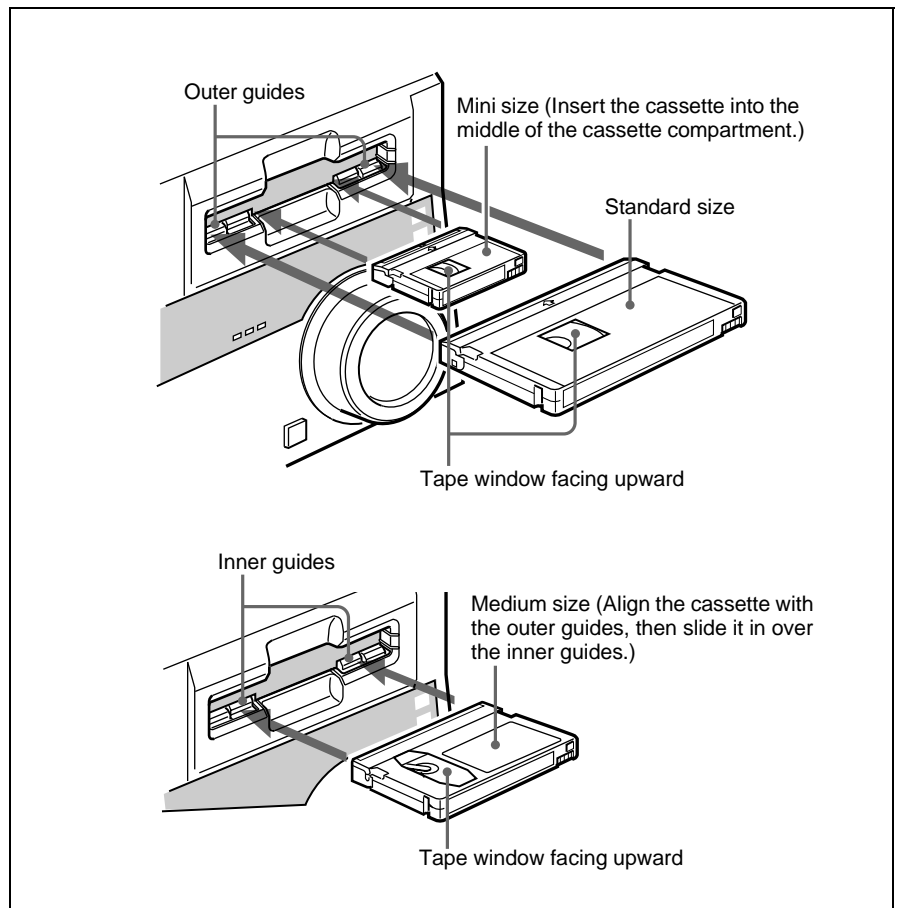
Set the REC/SAVE switch to REC.

When this switch is set to SAVE, the unit cannot record on the tape.

Inserting and Ejecting Cassettes

Inserting a cassette

This unit accepts three sizes of cassette: L (standard size), M (medium size: DVCPRO) and S (mini size). When inserting a cassette in the unit, make sure its tape window faces upward as shown in the following figure.

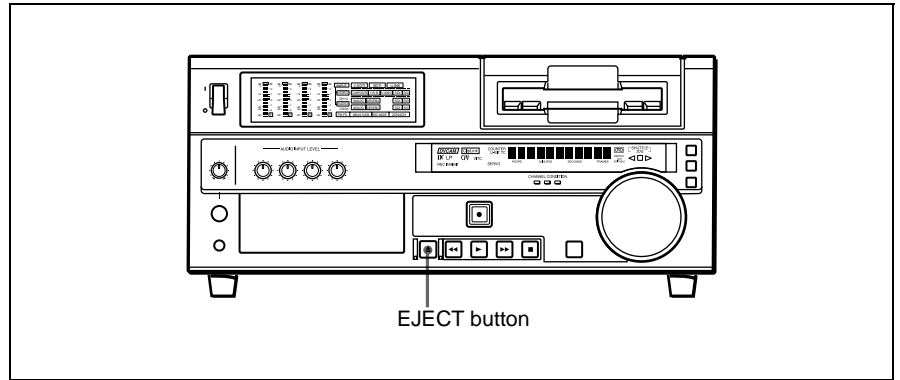


No double insertion of cassettes

When you insert a cassette, the orange lock-out plate appears in the cassette compartment to prevent double insertion.

Ejecting a cassette

Press the EJECT button.



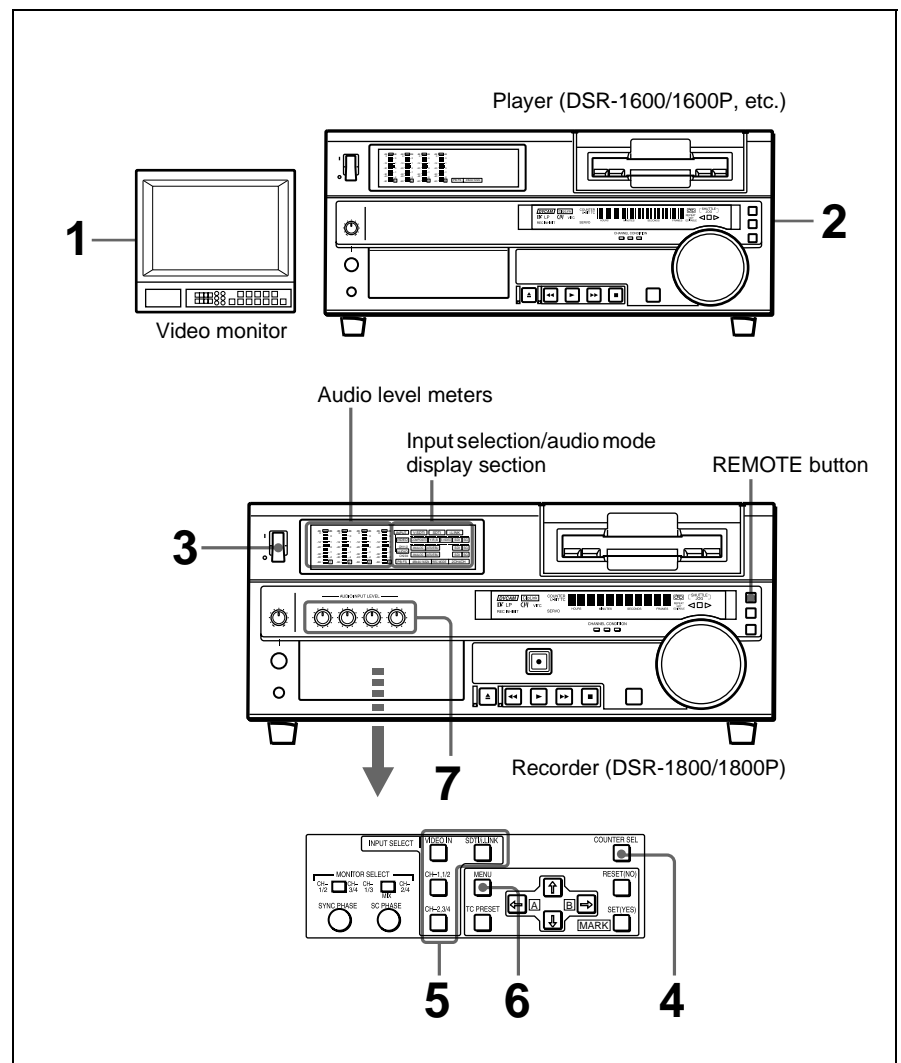
Recording

This section describes the necessary settings and operations to perform recording on this unit. The same settings and operations apply whether you are using the unit as part of an editing system, for dubbing*, or as a stand-alone recorder.

* For dubbing of SDTI (QSDI) format signals, use the AUTO FUNCTION menu item SDTI (QSDI) DUBBING (see page 75). For details, see "Digitally Dubbing Signals in DVCAM Format" on page 56.

For the necessary connections for recording and the settings not covered in this section, see Chapter 5 "Connections and Settings."

Settings for Recording



Note

When controlling this unit from an editing control unit connected to the REMOTE connector, see "Remote control setting section" (page 20).

- 1 Power on the video monitor, then set its input switches according to the signals input from this unit.
- 2 Set up the player to play back a tape.
For details, refer to the operating instructions for the player.
- 3 Power on this unit by pressing on the | side of the POWER switch.
- 4 When the REMOTE button is not lit (the external editing control unit is not used), use the COUNTER SEL button to select the type of time data to be used.

Each press of this button cycles through three options: COUNTER (CNT value), TC (time code), and U-BIT (user bit data). The time data type indicator for each option lights as it is selected.

Selected time data	Time data type indicator
Count value of the time counter	COUNTER
Time code	TC
User bit data	U-BIT

When the REMOTE button is lit, selection of the time data type is carried out at the editing control unit.

- 5 Select the formats of video and audio input signal to be recorded. Use the buttons in the INPUT SELECT section to select the desired signal formats. Each selection is shown by a lit indicator in the input selection/ audio mode display section.

Video input signal (input connector)	Corresponding button in the INPUT SELECT section	Lit indicator in the input selection/audio mode display section
Composite signal (VIDEO IN)	VIDEO IN	COMPOSITE in VIDEO group
Separated Y/C signal (S VIDEO IN)	VIDEO IN	S VIDEO in VIDEO group
Component signal (COMPONENT VIDEO IN)	VIDEO IN	Y-R, B in VIDEO group
SDI signal (SDI IN)	VIDEO IN	SDI ^{a)} in VIDEO group
SDTI (QSDI) signal (SDTI (QSDI) IN)	SDTI/i.LINK	SDTI ^{a)} : both SDTI video and audio input signals are recorded. V:SDTI ^{a)} : only SDTI video input signal is recorded.
i.LINK-compatible digital video signal in DV format (i.DV IN/OUT)	SDTI/i.LINK	i.LINK ^{a)}
Internal test video signal	VIDEO IN	SG in VIDEO group

a) The indicator does not light even if you press the corresponding button in the INPUT SELECT section unless the required optional digital input/output board (DSBK-1801/1802/1803) is installed.

Audio input signal (input connector)	Corresponding button in the INPUT SELECT section	Lit indicator in the input selection/audio mode display section
Analog signal (AUDIO IN CH-1 to CH-4)	CH-1,1/2 and CH-2,3/4	ANALOG in AUDIO group
AES/EBU signal (DIGITAL AUDIO (AES/EBU) IN)	CH-1,1/2 and CH-2,3/4	AES/EBU ^{a)} in AUDIO group
SDI signal (SDI IN)	CH-1,1/2 and CH-2,3/4	SDI ^{a)} in AUDIO group
SDTI (QSDI) signal (SDTI (QSDI) IN)	SDTI/i.LINK	SDTI ^{a)}
i.LINK-compatible digital audio signal in DV format (i.DV IN/OUT)	SDTI/i.LINK	i.LINK ^{a)}
Internal test audio signal	CH-1,1/2 and CH-2,3/4	SG in AUDIO group

a) The indicator does not light even if you press the corresponding button in the INPUT SELECT section unless the required optional digital input/output board (DSBK-1801/1802/1803) is installed.

Caution

Once you have started recording, you cannot change the input signal selection.

- 6** Select the audio mode.
 Select either two-channel mode (2CHANNEL) or four-channel mode (4CHANNEL) with the REC MODE menu item (*see page 69*). The corresponding indicator lights in the REC MODE display.

Audio mode	Lit indicator in the REC MODE display
2-channel mode	2CH
4-channel mode	4CH

Cautions

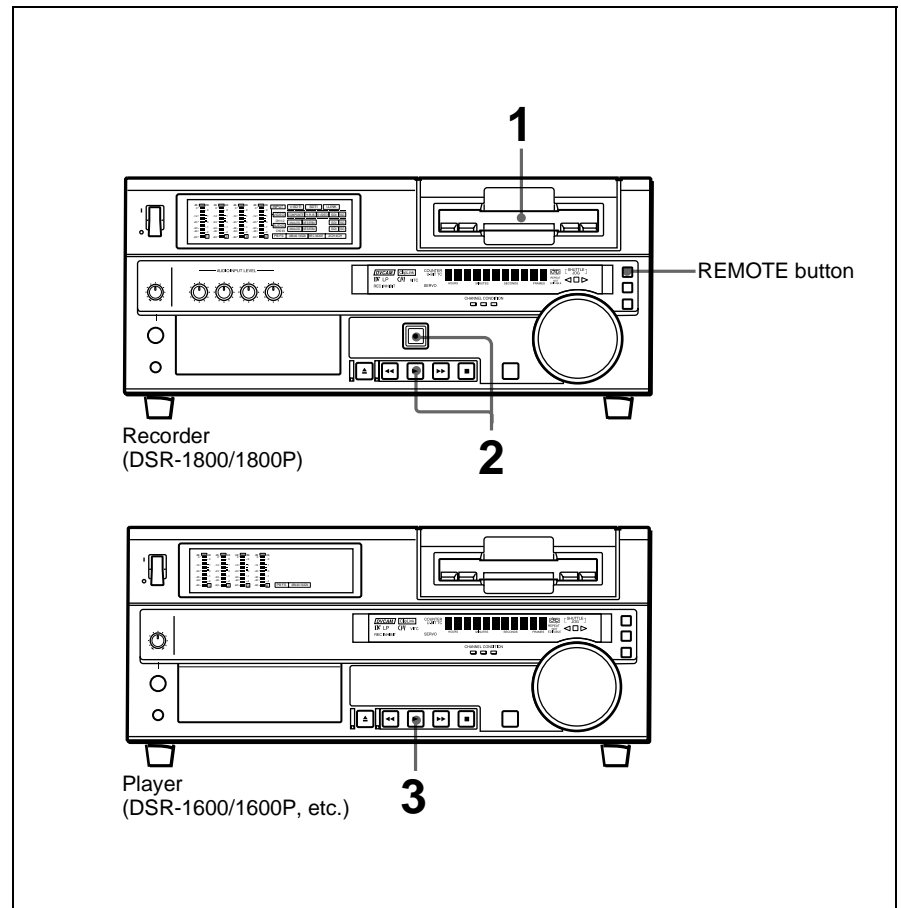
- In the DVCAM format, there are two audio recording modes, with either two channels at 48 kHz or four channels at 32 kHz. It is not possible to select other modes (for example with four channels at 48 kHz).
- During audio editing, if a signal used in assemble or insert editing is in a different mode from the base tape, the signals will be discontinuous at the edit points, and correct editing will not be obtained. For this reason, audio editing between different modes is inhibited on this unit.
 For smooth editing operations, check the audio recording mode of the base tape beforehand.
- Once you have started recording, you cannot change the audio mode selection.
- If on a tape there is a point where the audio mode is switched, it is not possible to carry out insert editing over a section including that point.

- 7** Use the AUDIO INPUT LEVEL control knobs to adjust audio input levels. Watching the audio level meter, adjust the level so that the meter does not indicate higher values than 0 dB when the audio signal is at its maximum. When the level exceeds 0 dB, the OVER indicator lights.

The factory-preset audio recording level is -20 dB (DSR-1800) or -18 dB (DSR-1800P). This setting can be changed using the LEVEL SELECT menu item (*see page 71*).

Recording Procedure

This section describes the procedure to perform recording on this unit, showing an example session in which playback signals coming from a player VCR will be recorded on the tape loaded in the unit.



Notes

- When controlling this unit from an editing control unit connected to the REMOTE connector of this unit, press the REMOTE button to turn it on. When not, turn off the button.
- If you intend to use a tape recorded on this unit in a system comprising a DSR-85/85P and an ES-7 EditStation, it is recommended to record color bars on at least the first 40 seconds of the tape. When transferring digital signals from the DSR-85/85P to the ES-7 EditStation at four times normal speed, there must be recording for approximately 40 seconds before the IN point.

- 1 After checking the following items, hold the cassette with the tape window facing upward, then insert it into the recorder (this unit) as illustrated on page 29.

Item to check	See section
Make sure that the REC/SAVE switch of the cassette is set to REC.	"Preventing accidental erasure" on page 29
Check for tape slack.	"Checking the tape for slack" on page 28
Make sure that the "HUMID!" alarm is not shown in the time counter display.	"Condensation" on page 97

The cassette is automatically drawn into the unit and the tape is wound round the head drum. The tape is stationary while the head drum rotates, and the STOP button lights.

If the REC INHIBIT indicator lights:

It indicates that the REC/SAVE switch of the loaded cassette has been set to SAVE. Press the EJECT button in the tape transport control section to remove the cassette, then set the REC/SAVE switch to REC and reload the cassette.

Note

When ejecting and loading cassettes, make sure that the unit has been powered on.

- 2 Hold down the REC button and press the PLAY button.

This puts the unit into recording mode, and the tape starts moving.

- 3 Press the PLAY button on the player.

The player starts the playback operation, at which point this unit starts recording the input playback signals.

Cautions

- Once you have started recording, you cannot change the audio mode selection.
- If on a tape there is a point where the audio mode is switched, it is not possible to carry out insert editing over a section including that point.

If the following indicators light when a cassette is loaded

Indicator	It means:
Cassette memory indicator	The loaded cassette contains a cassette memory.
ClipLink indicator	<p>There is ClipLink log data stored in the cassette memory on the loaded cassette.</p> <p>Caution With such a cassette, carrying out recording destroys the ClipLink log data.</p>
NOT EDITABLE indicator	<p>The recording format of the tape is "DV," or a DVCPRO tape is inserted. Replace the tape with one that has been recorded in DVCAM format.</p> <p>The audio recording mode selected on this unit does not coincide with that of the tape.</p> <ul style="list-style-type: none"> • When your current purpose is recording, you can use the tape as it is. • When your current purpose is editing, set the unit for the same audio recording mode as with the tape. <p><i>For more details, see "Troubleshooting" on page 100.</i></p>

To perform the following operations

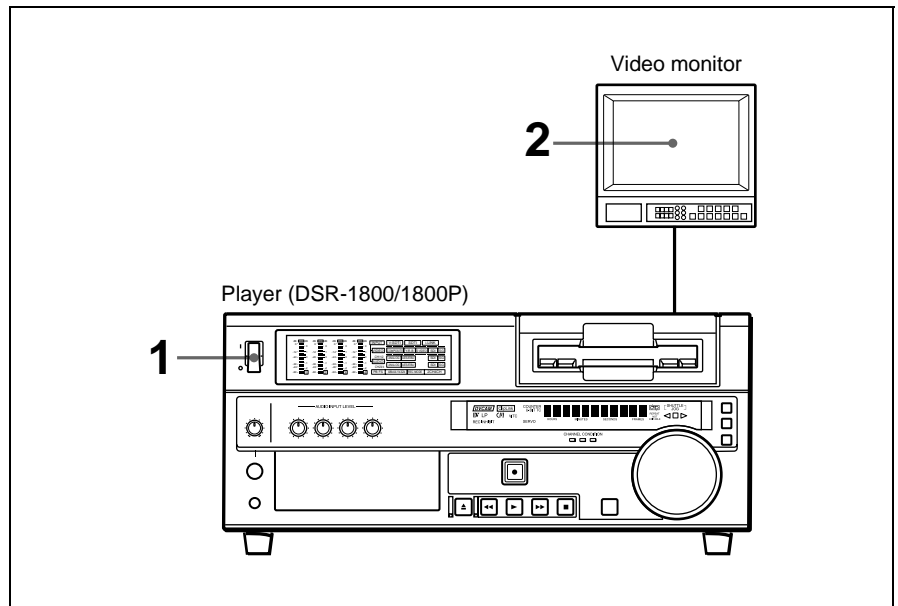
Operation	Do this:
Stop recording.	Press the STOP button. The unit enters stop mode, and will automatically switch to standby off mode after the time period set with the STOP TIMER menu item (<i>see page 68</i>).
Remove the cassette.	Press the EJECT button. After a few seconds, the tape is unwound from the head drum and the cassette is automatically ejected. If a CNT value is shown on the time counter display (assuming the time data type indicator "COUNTER" is lit), the CNT value is reset.
Inhibit the unit from outputting text information (time data, operation mode indications, etc.) to the video monitor.	Set the CHARA. DISPLAY menu item (<i>see page 65</i>) to OFF.
Change the time period before the unit switches from stop mode to standby off mode.	Change the setting of the STOP TIMER menu item (<i>see page 68</i>).

Playback

This section describes the settings and operations necessary to perform playback on this unit. The same settings and operations apply whether you are using the unit as part of an editing system, for dubbing, or as a stand-alone player VCR.

For the necessary connections for playback and the settings not covered in this section, see Chapter 5 “Connections and Settings.”

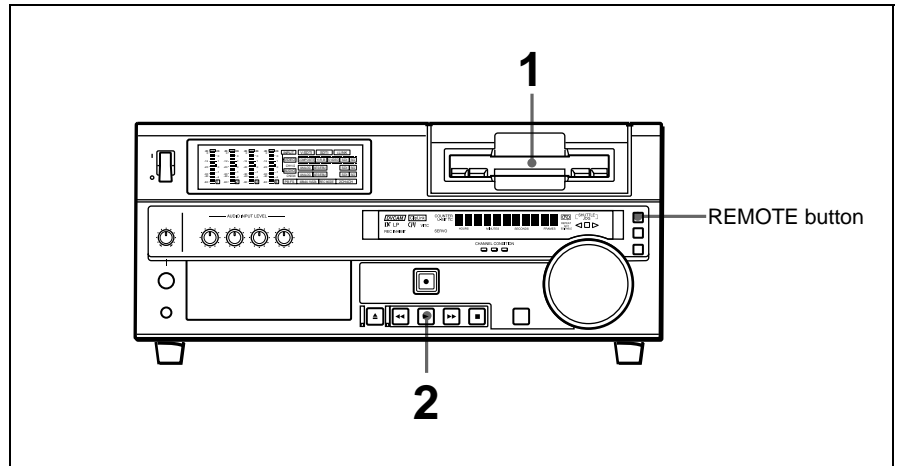
Settings for Playback



- 1** Power on this unit by pressing on the | side of the POWER switch.
- 2** Power on the video monitor and set its switches as shown below.

Switch	Setting
75 Ω termination switch	ON (or attach a 75 Ω terminator.)
Input switch	Set according to the type of input signal from this unit.

Playback Procedure



Note

When controlling this unit from an editing control unit connected to the REMOTE connector of this unit, press the REMOTE button turning it on. When not, turn off the button.

- 1** Insert a cassette.

For details of cassette insertion see page 29, and for usable cassette types see page 27.

The cassette is automatically drawn into the unit. The STOP button will light, and a few seconds later a still image will appear on the monitor screen.

- 2** Press the PLAY button.

This starts the playback operation. When the tape is played back all the way to the end, the unit automatically rewinds it and then stops.

If the following indicators light when a cassette is loaded

Indicator	It means:
Cassette memory indicator	The loaded cassette contains a cassette memory.
ClipLink indicator	There is ClipLink log data stored in the cassette memory on the loaded cassette.
NOT EDITABLE indicator	The tape was recorded in the DV format, or a DVCPRO tape is inserted. You cannot use it as a recording tape for editing.

To perform the following operations

Operation	Do this:
Stop playback.	Press the STOP button. The unit enters stop mode, and will automatically switch to standby off mode after the time set with the STOP TIMER menu item (see page 68).
Adjust the audio playback level.	Use the audio level control on the monitor.
Play back in shuttle mode while monitoring the video.	Press the SEARCH button or search dial to light the SHUTTLE indicator in the display section, then rotate the search dial. Playback is carried out at the speed determined by the angular position of the search dial. The maximum speed for shuttle playback can be changed using the SHUTTLE menu item (see page 63).
Play back in jog mode while monitoring the video.	Press the SEARCH button or search dial to light the JOG indicator in the display section, then rotate the search dial. Playback is carried out at the speed according to the speed of the search dial rotation. The playback speed range is ± 1 times normal speed by factory default. The search dial has no detents.
Inhibit the unit from outputting text information (time data, operation mode indications, etc.) to the video monitor.	Set the CHARA. DISPLAY menu item (see page 65) to OFF.
Remove the cassette.	Press the EJECT button. If a CNT value is shown on the time counter display, the CNT value is reset.
Disable the automatic rewind function.	Set the AUTO REW menu item (see page 64) to DISABLE.
Change the time period before the unit switches from stop mode to standby off mode.	Change the setting of the STOP TIMER menu item (see page 68).

Repeat Playback—Automatic Cyclical Playback

Proceed as follows to perform automatic cyclical playback of recording (repeat playback) between selected start and end points.

- 1** Set the desired repeat start and end points with the REPEAT FUNCTION menu item (*see page 62*).
You can set points A and B as start and end points by following the procedure described in the next section.
- 2** Set the REPEAT MODE menu item (*see page 62*) to ON.
The REPEAT indicator lights.
- 3** Press the SET (YES) button to save the new setting and close the menu.
- 4** Press the PLAY button.
The unit repeats playback between the repeat start and end points set in step 1.

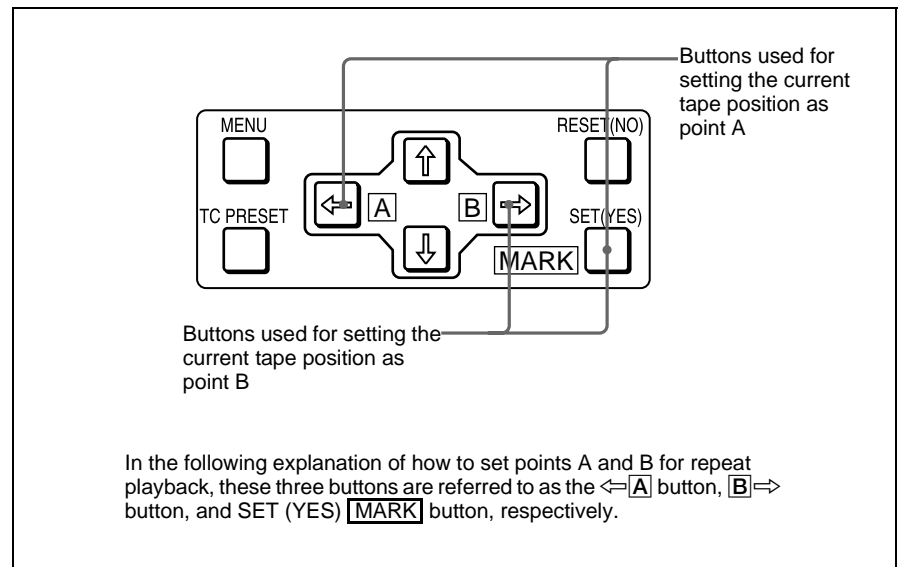
Setting Points A and B for Repeat Playback

You can set the repeat playback start point (point A) and end point (point B) by using the current tape position or inputting time code values.

To perform repeat playback after setting points A and B, press the PLAY button when the REMOTE button is off. When the DSRM-10 Remote Control Unit is connected to the CONTROL S connector on the front panel, you can also start repeat playback by pressing its PLAY button with the REMOTE button of this unit off.

Setting the current tape position as point A or B

Proceed as follows to set the current tape position as point A or B for repeat playback.



While holding down the SET (YES) **MARK** button on the menu control panel, press the **A** or **B** button. The time code value of the current tape position is set as point A or B, and a message “A set” or “B set” is displayed for 0.5 second in the time counter display.

Once set, the point A or B time code value is held in the non-volatile memory of the unit until changed. It is not lost when the unit is powered off.

Note

When setting point A or B, you can only use a time code value. Even when COUNTER is selected with the COUNTER SEL button, you cannot use a CNT value to set point A or B.

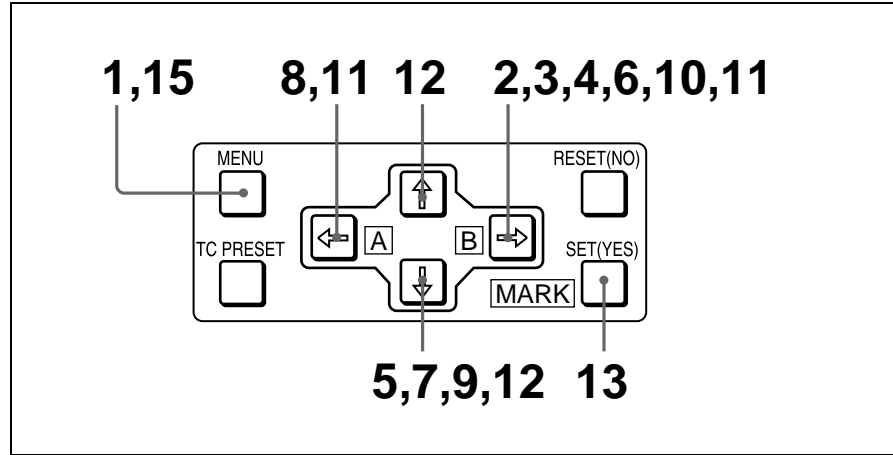
To check the point A or B time code value

Press the **A** or **B** button on the menu control panel. While the button is held down, the point A or B time code value is displayed on the monitor and in the time counter display.

If you hold down the **A** and **B** buttons simultaneously, the value shown is the point B time code value minus the point A time code value. If the point A time code value is greater than the point B time code value, a minus sign (–) is shown before the value.

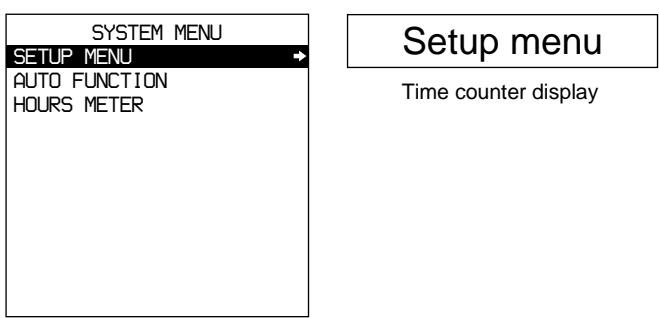
Inputting time code values for points A and B

Using the following procedure, you can modify the time code value for point A or B.



- 1 Press the MENU button.

The following menu display appears.



Monitor screen

2 With “SETUP MENU” selected, press the **[B]**⇒ button.

The display changes as follows.

```
SETUP MENU
OPERATIONAL FUNCTION →
DISPLAY CONTROL
TIME CODE
SETUP BANK OPERATION

MENU GRADE      :BASIC
```

Monitor screen

Operational

Time counter display

3 With “OPERATIONAL FUNCTION” selected, press the **[B]**⇒ button.

The display changes as follows.

```
SETUP MENU
OPERATIONAL FUNCTION
+ REPEAT FUNCTION →
  AUTO EE SELECT
  LOCAL ENABLE  :STP&EJ
```

Monitor screen

>REP FUNC

Time counter display

4 With “REPEAT FUNCTION” selected, press the **[B]**⇒ button.

The contents of the REPEAT FUNCTION menu item are displayed.

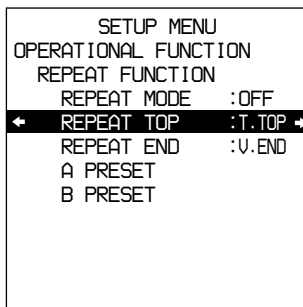
```
SETUP MENU
OPERATIONAL FUNCTION
REPEAT FUNCTION
← REPEAT MODE :OFF →
  REPEAT TOP   :T.TOP
  REPEAT END   :U.END
  A PRESET
  B PRESET
```

Monitor screen

>> REPEAT MD

Time counter display

5 Press the \downarrow button to select “REPEAT TOP.”



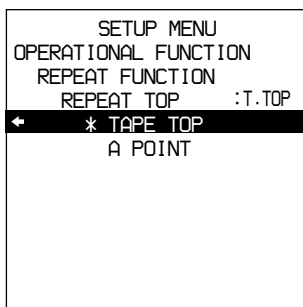
Monitor screen



Time counter display

6 Press the $\boxed{B} \Rightarrow$ button.

The display changes as follows.

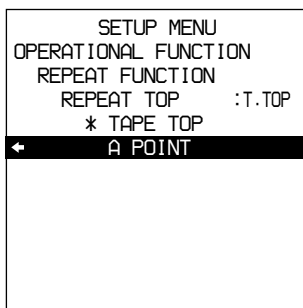


Monitor screen



Time counter display

7 Press the \downarrow button to select “A POINT.”



Monitor screen



Time counter display

8 Press the \leftarrow [A] button.

The display changes as follows.

```
      SETUP MENU
OPERATIONAL FUNCTION
REPEAT FUNCTION
REPEAT MODE      :OFF
REPEAT TOP       :A
REPEAT END       :V.END
A PRESET
B PRESET
```

Monitor screen

>> REP TOP

Time counter display

9 Press the \downarrow button to select “A PRESET.”

```
      SETUP MENU
OPERATIONAL FUNCTION
REPEAT FUNCTION
REPEAT MODE      :OFF
REPEAT TOP       :A
REPEAT END       :V.END
A PRESET
B PRESET
```

Monitor screen

>> A preset

Time counter display

10 Press the [B] \Rightarrow button.

The A PRESET MODE screen appears. The time code value of the current point A is displayed below the screen title.

```
A PRESET MODE

A 00:00:00:00

INC/DEC : (↑)(↓)KEY
SHIFT  : (←)(→)KEY
CLEAR  : RESET KEY
DATA SAVE : SET KEY
TO MENU : MENU KEY
```

Monitor screen

11 Use the \leftarrow [A] or [B] \Rightarrow button to select the digit in the time code value display that you want to change.

Each press of the button causes the digit to the left or right to begin flashing. Holding the button down moves the flashing digit continuously. If you want to clear the time code value, press the RESET (NO) button. The value is cleared to 00:00:00:00, and the leftmost digit begins flashing.

12 Press the \uparrow or \downarrow button to increment or decrement the value of the flashing digit.

Each press of the button increments or decrements the value. Holding the button down increments or decrements the value continuously. To change other digits, return to step **11**.

13 Press the SET (YES) **MARK** button to confirm the defined value.

The message “NOW SAVING...” is displayed on the monitor screen and “Saving...” is shown in the time counter display while the new setting is being saved in memory.

Caution

The new setting may be lost if you power off the unit during the saving operation. Wait until the saving operation is completed before powering the unit off.

If you want to discard the changed value

Press the MENU button instead of pressing the SET (YES) **MARK** button to return to the menu display, then press the MENU button again to end the menu operation without saving the changed value into memory.

After the saving operation is completed, the monitor screen and time counter display return to the REPEAT FUNCTION setting display as shown in step **9**.

14 To set point B, refer to steps **5** to **13**. (Select “REPEAT END” in step **5**, “B POINT” in step **7**, and “B PRESET” in step **9**.)

15 Press the MENU button to close the menu.

Cuing Up to Any Desired Position Set as Point A or B

You can set any desired tape position as point A or B and cue up to the set point when required. To cue up to point A or B, holding down the \leftarrow **A** or **B** \rightarrow button on the menu control panel, press the REW button in the tape transport control section.

For the methods of setting points A and B, see the previous section.



Convenient Functions for Editing Operation

Chapter

3

Setting the Time Data

This unit is provided with the following functions related to time data.

- Display and reset CNT value
- Set, display, record, and play back SMPTE/EBU time code and user bit data
- Set, display, record, and play back VITC

The unit can output the time code read from the tape as an analog (LTC) signal while in normal-speed playback mode, and receive an external analog time code (LTC) signal.

Note

The unit outputs no signal from the TIME CODE OUT connector unless it is in normal-speed playback mode.

The following explains how to use these functions.

Displaying Time Data and Operation Mode Indications

Time data and operation mode indications can be displayed on the monitor screen.

Time data can also be displayed in the time counter display on this unit.

To view time data and operation mode indications on the monitor screen

Set the CHARA. DISPLAY menu item (*see page 65*) to ON (factory default setting).

The time data and the indication of the current operation mode are superimposed on the video signal that is being output from the VIDEO OUT 2 (SUPER) connector, and can be viewed on the monitor screen.

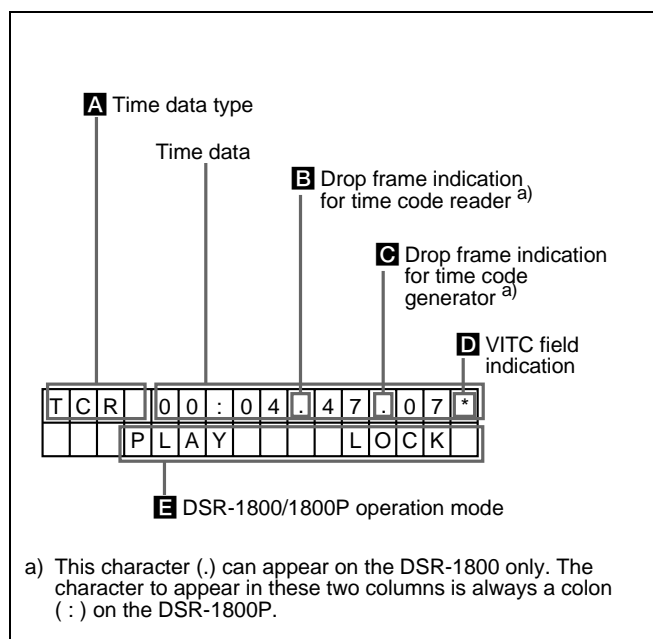
Use the DISPLAY CONTROL menu items (*see page 65*) to select the information displayed and the character type and position of the indications.

When you set the SUB STATUS menu item (*see page 65*) to other than OFF, you can also display supplementary status information on the monitor screen such as editing mode settings and the operating mode of the internal time code generator.

For details of supplementary status information, see “Displaying Supplementary Status Information” on page 80.

Monitor screen contents

The contents of the monitor screen are shown below.



A Time data type

The following time data type indications are displayed.

Indication	Description
CNT	Count value of the time counter
TCR	Time code data from time code reader (factory default setting)
UBR	User bit data from time code reader
TCR.	Time code data from VITC reader ^{a)}
UBR.	User bit data from VITC reader ^{a)}
TCG	Time code data from time code generator
UBG	User bit data from time code generator
T*R ^{b)}	Time code data from time code reader. The asterisk indicates an interpolation by the time code reader to make up for the time code data not correctly read from the tape.
U*R ^{b)}	User bit data from the time code reader. The asterisk indicates that last data is retained by the time code reader, as the new data has not been read correctly from the tape.

a) You can switch between TC and VITC using the TC SELECT menu item (see page 66).

b) "*" is displayed when data cannot be read in correctly.

B Drop frame indication for time code reader (on DSR-1800 only)

.	Drop frame mode (factory default setting)
:	Non-drop frame mode

C Drop frame indication for time code generator (for DSR-1800 only)

.	Drop frame mode (factory default setting)
:	Non-drop frame mode

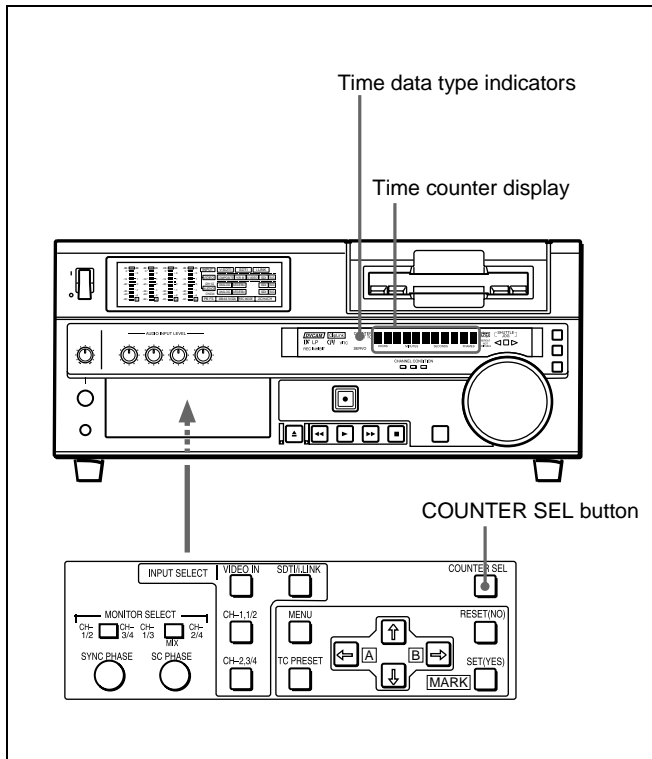
D VITC field indication

(blank)	Display fields 1 and 3.
*	Display fields 2 and 4.

E DSR-1800/1800P operation mode

Display	Operation mode
CASSETTE OUT	Cassette is not loaded.
THREADING	Tape loading
UNTHREADING	Tape unloading
STANDBY OFF	Standby off mode
T. RELEASE	Tape tension released
STOP	Stop mode
F. FWD	Fast forward mode
REW	Rewind mode
PREROLL	Preroll mode
PLAY	Playback mode (servo unlocked)
PLAY LOCK	Playback mode (servo locked)
PLAY-PAUSE	Temporary stop of playback
REC	Record mode (servo unlocked)
REC LOCK	Record mode (servo locked)
REC-PAUSE	Temporary stop of recording
EDIT	Edit mode (servo unlocked)
EDIT LOCK	Edit mode (servo locked)
JOG STILL	Still picture in jog mode
JOG FWD	Jog mode in forward direction
JOG REV	Jog mode in reverse direction
SHUTTLE (Speed)	Shuttle mode
AUTO EDIT	Automatic editing mode
PREVIEW	Preview mode
REVIEW	Review mode

To display the desired time data in the time counter display



Open the door on the lower part of the front panel, and press the COUNTER SEL button. Each press of this button cycles through three options: CNT value, time code, and user bit data. The time data type indicator for each option lights as it is selected.

Time data type indicator	Time data shown in the time counter display
COUNTER	CNT (count value of the time counter)
TC	Time code (when recording, the time code is generated by the internal time code generator; when playing back, the time code is read from the tape.)
U-BIT	User bit data (when recording, the user bit data is according to the most recent settings; when playing back, the user bit data is read from the tape.)

Note

When the REMOTE button on the front panel is lit, the COUNTER SEL button does not operate while the tape is moving. In such cases, use the external equipment connected to the REMOTE connector on the rear panel to select the time data.

To reset the CNT value

Press the RESET (NO) button on the menu control panel. This resets the CNT value to 0:00:00:00.

Note

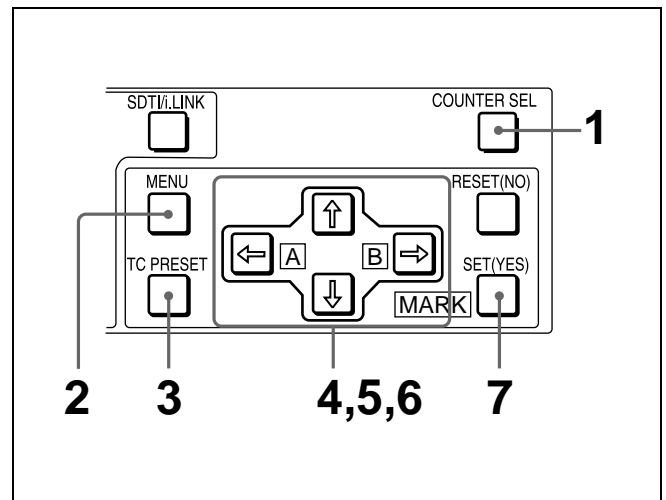
During playback, if the recording on the tape includes discontinuities, the counter may operate incorrectly at the corresponding points.

Using the Internal Time Code Generator

You can set the initial time code value before recording the time code generated by the internal time code generator onto a tape. In addition, you can use the user bits to record such data as the date, time, scene number, reel number, or other useful information.

When an external time code generator is connected to the TIME CODE IN connector, the internal time code generator can be locked to (synchronized with) an external time code.

To set the initial time code value and user bit data



1 Press the COUNTER SEL button to light the time data type indicator “TC” or “U-BIT.”

TC: To set the initial time code value.

U-BIT: To set user bit data

The current time code value or user bit data is shown in the time counter display.

- 2** Set the TIME CODE menu items (*see page 66*) as shown below.

Menu item	Setting
TC MODE	"INT PRESET"
RUN MODE	"FREE RUN" or "REC RUN"
DF MODE (for DSR-1800 only)	Normally "ON (DF)"

- 3** Press the TC PRESET button on the menu control panel.

The current setting is shown on the monitor screen and in the time counter display on the front panel. The leftmost digit keeps flashing.

One of the following menu screens is displayed on the monitor depending on the setting made in step **1**.

TC PRESET MODE	UB PRESET MODE
TCG 00:00:00:00	UBG 00:00:00:00
INC/DEC : (↑)(↓)KEY SHIFT : (←)(→)KEY CLEAR : RESET KEY DATA SAVE : SET KEY ABORT : TC PRESET KEY	INC/DEC : (↑)(↓)KEY SHIFT : (←)(→)KEY CLEAR : RESET KEY DATA SAVE : SET KEY ABORT : TC PRESET KEY

Initial time code value setting screen

User bit setting screen

Note

If you press the TC PRESET button while CNT value is being displayed, the message "COUNTER MODE IS SELECTED." will appear on the monitor screen and "CNT mode!" will appear in the time counter display on the front panel. If this happens, press the COUNTER SEL button to light the time data type indicator "TC" or "U-BIT."

- 4** Use the \leftarrow and \rightarrow buttons to move the flashing digit to the value to be changed.
- 5** Use the \uparrow and \downarrow buttons to change the value of the flashing digit.
- Enter hexadecimal values (0 to 9, A to F) when setting user bit data.
- 6** Repeat steps **4** and **5** until you have set the desired values for all digits.
- To set a value of 00:00:00:00, simply press the RESET (NO) button.

- 7** Press the SET (YES) button.

The message "NOW SAVING..." appears on the monitor screen, "Saving..." appears in the time counter display, and the new settings are stored in memory. After this saving operation is completed, the monitor screen and the time counter display return to their usual status.

Note

The set data may be lost if you power off the unit while the above saving operation is in progress. Wait until the saving operation is completed before powering off.

Advancement of internal time code generator

The internal time code generator can advance in either of two modes, which can be set with the RUN MODE menu item (*see page 66*).

FREE RUN: Advancement starts when the data saving operation is completed.

REC RUN: Advancement starts when recording starts and stops when recording stops.

To set the current time as the initial time code value

In step **2** above, set the RUN MODE menu item to FREE RUN, then set the current time (format: HH:MM:SS:FF = hours: minutes:seconds:frame number) in step **3** and subsequent steps.

Synchronizing Internal and External Time Codes

The internal time code generator can be synchronized with an external time code (LTC) input to this unit.

To synchronize the internal time code to external time code

Input an external time code (LTC) signal to the TIME CODE IN connector, then set the TC MODE menu item (see page 66) to EXT REGEN.

The internal time code generator locks onto the external time code and starts advancing. Once the internal time code generator has been synchronized in this way, you can disconnect the external time code input and this unit will maintain the synchronized time code.

Note

When the selected input mode is “SDTI” or “i.LINK” (the SDTI or i.LINK indicator is lit in the INPUT display), setting the TC MODE menu item (see page 66) to EXT REGEN causes the internal time code generator to automatically synchronize with the external time code input to the unit via the SDTI or i.LINK interface.

Once an external time code signal has been input, the internal time code advancement mode and frame count mode are automatically set as follows:

Advancement mode: FREE RUN

Frame count mode: Same as external time code (drop frame or non-drop frame)

To confirm external synchronization

Press the STOP button to put the unit into stop mode, then press the REC button.

Look at the time counter display and check that the time code value displayed there matches the external time code value.

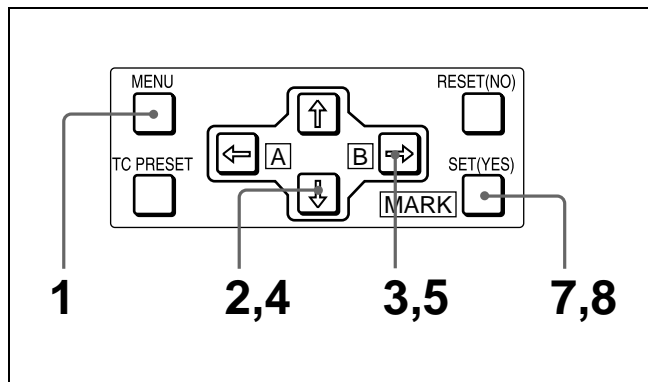
Rerecording the Time Code—TC Insert Function

The TC insert function makes it possible to use the internal time code generator to rewrite time code or user bits when the time code recorded on a tape is discontinuous.

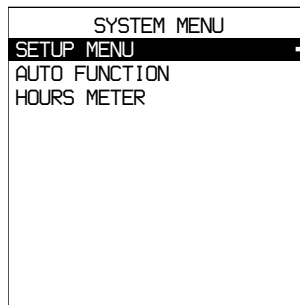
You can start recording time code from an initial value which can be set freely (see page 49).

Notes

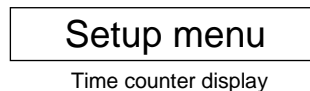
- Use a tape which is recorded in the DVCAM format. (You cannot use the TC insert function with a tape recorded in DV format.)
- The time code recording starts from the current tape position. Cue the tape up beforehand to the required start position.
- If you use a tape on which ClipLink log data is recorded, the ClipLink log data will be lost.



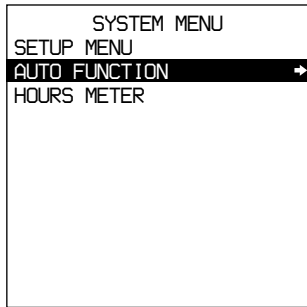
- 1 Open the door on the lower part of the front panel, then press the MENU button.



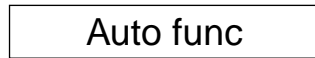
Monitor screen



2 Press the \uparrow or \downarrow button to select “AUTO FUNCTION.”



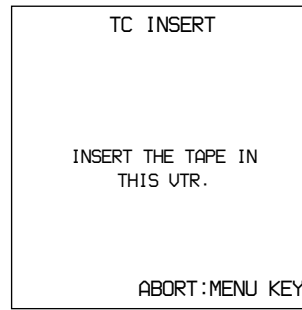
Monitor screen



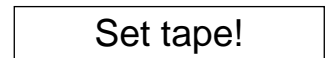
Time counter display

5 Press the \Rightarrow button.

The following message appears.



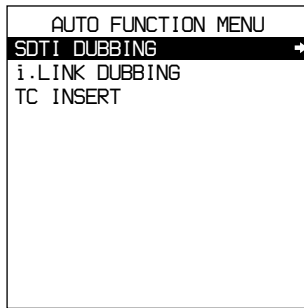
Monitor screen



Time counter display

3 Press the \Rightarrow button.

This displays the items in the level 1 of the auto mode execution menu.



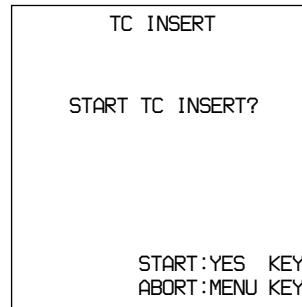
Monitor screen



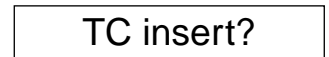
Time counter display

6 Insert the cassette.

A message to confirm the TC insert operation appears.

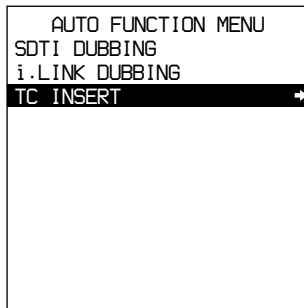


Monitor screen

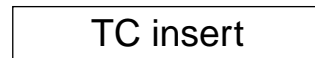


Time counter display

4 Press the \downarrow button to select “TC INSERT.”



Monitor screen



Time counter display

To cancel the TC insert operation
Press the MENU button.

7 Press the SET (YES) button.

Time code recording starts from the current tape position.

```
TC INSERT

EXECUTING.

TCR 00:00:00:00
UBR 00:00:00:00

ABORT:MENU KEY
```

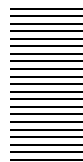
Monitor screen

```
Executing
```

Time counter display

When the recording ends, the message “TC INSERT COMPLETED. PUSH THE YES BUTTON.” appears on the monitor screen and “Completed” appears in the time counter display.

8 Press the SET (YES) button to exit the menu.



High-Speed and Low-Speed Search—Quickly and Accurately Determining Editing Points

Use the search function to easily locate the desired scene and to quickly and accurately determine edit points.

When F. FWD/REW under the AUTO EE SELECT menu item (*see page 63*) is set to PB (factory default setting), you can use the F FWD and REW buttons on this unit or external equipment for high-speed search.

Search Operations via External Equipment

You can control the unit in the following operation modes from an editing control unit (ES-7, PVE-500, etc.) connected to the REMOTE connector on the rear panel or from a SIRCS-compatible remote control unit such as the DSRM-10 connected to the CONTROL S connector on the front panel.

Shuttle: Use this mode to view color video playback at speeds ranging from 0 to 60 times normal speed in both directions.

Note

When controlling the unit from the DSRM-10 for shuttle-mode search, the maximum search speed is 16 times normal speed in both directions.

Jog: Use this mode for low-speed search and frame-by-frame search.

Digital slow: Use this mode for noise-free color video playback at speeds ranging from 0 to $\frac{1}{2}$ times normal speed in both directions.

Still: Use this mode to view a still picture of any field.

Jog audio: Use this mode to monitor the audio at speeds ranging from 1 to $\frac{1}{30}$ times normal speed in both directions.

Note

When controlling this unit from external equipment, be sure to turn on or off the buttons in the remote control setting section on the front panel of the unit as shown in the following table.

External equipment	Buttons in the remote control setting section
Editing control unit connected to the REMOTE connector	Turn on both the REMOTE and 9PIN buttons.
SIRCS-compatible remote control unit connected to the CONTROL S connector	Turn off the REMOTE button.
Equipment connected to the i.DV IN/OUT connector	Turn on both the REMOTE and i.LINK buttons.

For description on how to carry out search operations via external equipment, see the operating instructions for the equipment.

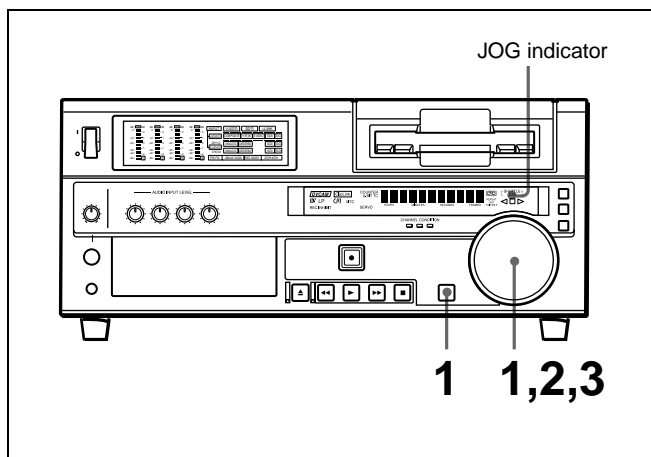
Search Operations on This Unit

When you perform searching on this unit, be sure to turn off the REMOTE button on the front panel.

Playing back in jog mode

In jog mode, you can control the speed of playback by the speed of turning the search dial. The playback speed range is ± 1 times normal speed by factory default. The speed variation range and pattern can be changed with the JOG RESPONSE menu item (see page 64).

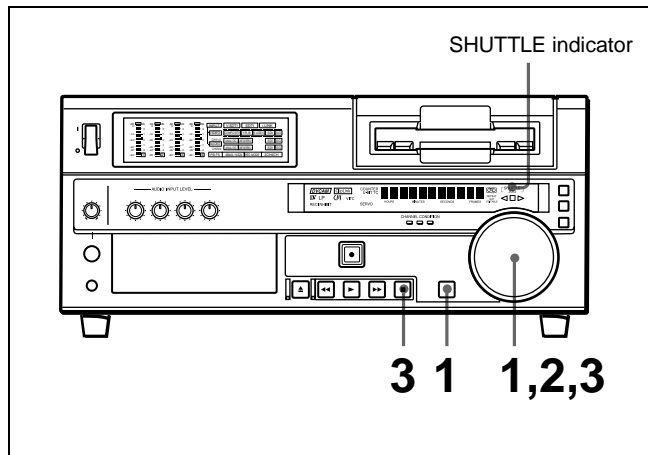
To carry out playback in jog mode, use the following procedure.



- 1** Press the SEARCH button or search dial so that the JOG indicator in the display section is lit.
Pressing the search dial toggles between jog mode and shuttle mode.
- 2** Turn the search dial in the desired direction at the speed corresponding to the desired playback speed.
Playback in jog mode starts.
- 3** To stop playback in jog mode, stop turning the search dial.

Playing back in shuttle mode

In shuttle mode, you can control the speed of playback by the angular position of the search dial. The range of playback speed is ± 32 times normal speed by factory default. This can be changed with the SHUTTLE menu item (see page 63). The search dial has detents at the positions of still image and ± 10 times normal speed. To carry out playback in shuttle mode, use the following procedure.



- 1** Press the SEARCH button or search dial so that the SHUTTLE indicator in the display section is lit.
Pressing the search dial toggles between jog mode and shuttle mode.
- 2** Turn the search dial to the desired angle corresponding to the desired playback speed.
Playback in shuttle mode starts.
- 3** To stop playback in shuttle mode, return the search dial to the center position, or press the STOP button.

To return to normal-speed playback

Press the PLAY button.

To alternate between normal-speed playback and shuttle mode playback

Set the search dial to the position corresponding to the desired shuttle playback speed, then switch between normal-speed playback and shuttle playback by pressing the PLAY and SEARCH buttons alternately. For intermittent shuttle mode playback, press the STOP and SEARCH buttons alternately.

Digitally Dubbing Signals in DVCAM Format

In addition to straightforward tape dubbing, you can also use this unit to dub automatically from the beginning of the tape to the end through the SDTI (QSDI) or i.LINK interface.

- To use the SDTI (QSDI) interface, the optional DSBK-1802 board is required.
- To use the i.LINK interface, the optional DSBK-1803 board is required.

When a tape recorded on a DSR-1/1P Digital Videocassette Recorder or DSR-130/130P Digital Camcorder is dubbed, the ClipLink log data held in the cassette memory is also copied.

Notes

- Use a tape recorded in the DVCAM format. A tape recorded in DV format cannot be used as a source tape for dubbing through the SDTI (QSDI) or i.LINK interface.
- Regardless of the audio recording mode setting of this unit, dubbing is performed with the original audio recording mode unchanged (two-channel/48 kHz mode or four-channel/32 kHz mode).
- Approximately the last 2 minutes of the tape may not be copied because of differences in tape lengths. (If an index picture is recorded in this portion, it may also not be copied.)
- A continuous recorded section of approximately 5 seconds is required before the recording start point. It is recommended to record beforehand color bars or a similar signal at the start point of the source tape to be dubbed on this unit.

Connections for dubbing via SDTI (QSDI) interface

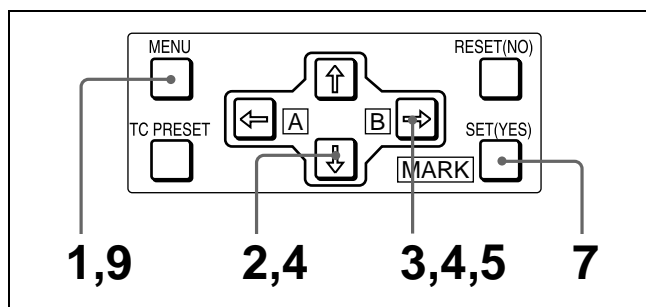
To carry out dubbing through the SDTI (QSDI) interface, connect the REMOTE and SDTI (QSDI) IN/OUT connectors on this unit to those on the DSR-85/85P/80/80P/60/60P/70/70P/2000/2000P/1800/1800P/1600/1600P.

For details of the connections and switch settings, see “Connections for SDTI (QSDI) Dubbing” on page 92.

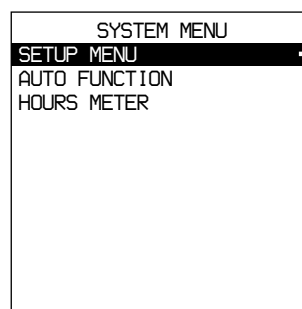
Connections for dubbing via i.LINK interface

To carry out dubbing through the i.LINK interface, connect the i.DV IN/OUT connectors on this unit and the player.

Use the following procedure.



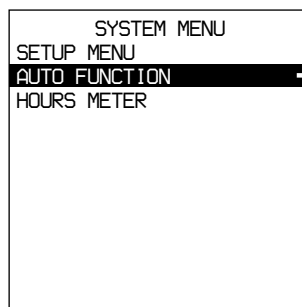
- 1 Press the MENU button on the menu control panel.



Monitor screen

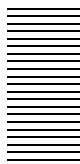


- 2 Press the \uparrow or \downarrow button to select “AUTO FUNCTION.”



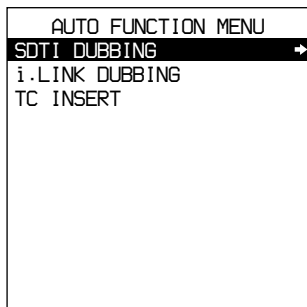
Monitor screen





3 Press the ⇨ button.

This displays the items in the level 1 of the auto mode execution menu.



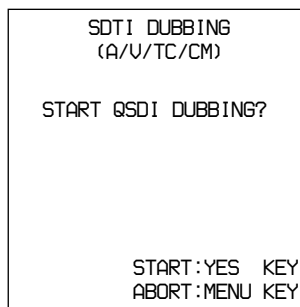
Monitor screen



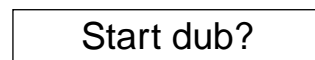
Time counter display

6 Insert the source tape in the player, and the recording tape in this unit.

A message to confirm the dubbing operation appears.



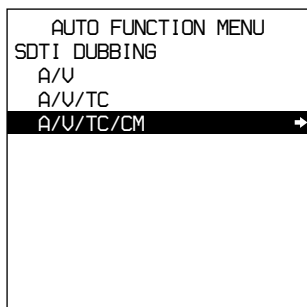
Monitor screen



Time counter display

4 Press the ⇨ button to display the menu level 2 for the item “SDTI DUBBING,” and select the data to be dubbed with the ↓ button.

Example: Selecting “A/U/TC/CM”



Monitor screen



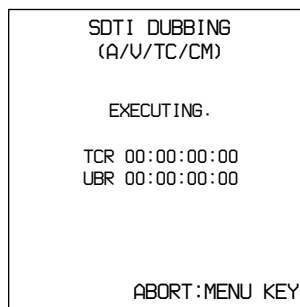
Time counter display

To cancel the dubbing operation

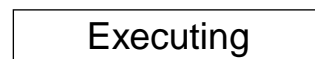
Press the MENU button.

7 Press the SET (YES) button.

The tape is automatically wound back to the beginning, and dubbing starts.



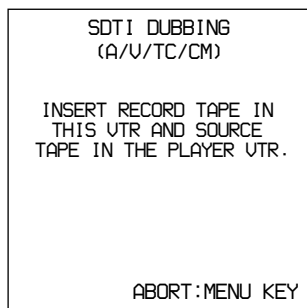
Monitor screen



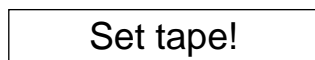
Time counter display

5 Press the ⇨ button.

The following message appears.



Monitor screen



Time counter display

To end the dubbing operation while it is in progress

Press the STOP button.

When the dubbing is completed, message “COMPLETED” appears on the monitor screen and “Completed” in the time counter display. The source tape and recording tape are both automatically rewound to the beginning, and the cassettes ejected. When the cassette is ejected, this unit returns to the state in step 5.

8 To continue by dubbing another tape, repeat steps 6 and 7.

9 When the dubbing is completed, press the MENU button to exit the menu.

If the following message appears in step 6 for an A/V/TC/CM dubbing operation

```
SDTI DUBBING
(A/V/TC/CM)

CM MEMORY STORAGE
CAPACITY OF THE RECORD
TAPE IS TOO SMALL.

ABORT:MENU KEY
```

Monitor screen

CM capacity!

Time counter display

When carrying out A/V/TC/CM dubbing, if you insert the cassettes in step 6, the cassette memory capacity of the cassettes inserted in both this unit and the player are checked automatically.

If the cassette memory capacity of the source tape is larger than that of the recording tape, the above message appears. In this case, replace the recording tape by a tape with a larger cassette memory capacity.

If the following message appears in step 7 for an A/V/TC/CM dubbing operation

```
SDTI DUBBING
(A/V/TC/CM)

SDTI DUBBING IS ABORTED.
EXECUTE CM COPY?

COPY :YES KEY
NOT COPY:NO KEY
```

Monitor screen

Copy CM?

Time counter display

When carrying out A/V/TC/CM dubbing, if you press the STOP button to stop dubbing in step 7, or if dubbing stops because the source tape is longer than the recording tape, the above message appears to confirm whether or not to copy the contents of the cassette memory.

To copy the contents of the cassette memory, press the SET (YES) button.

If you do not wish to copy the contents of the cassette memory, press the RESET (NO) button. If you press the RESET (NO) button, however, the contents of the cassette memory may not agree with the material recorded on the tape.

Menu Organization

As shown in the following figure, the menu system consists of four levels and is functionally divided into three subsystems: the setup menu, the auto mode (AUTO FUNCTION) execution menu and the digital hours meter display menu. This chapter mainly describes the setup menu, showing its contents and how to operate it.

For details of the AUTO FUNCTION menu, see “Digitally Dubbing Signals in DVCAM Format” on page 56 and “Rerecording the Time Code—TC Insert Function” on page 51.

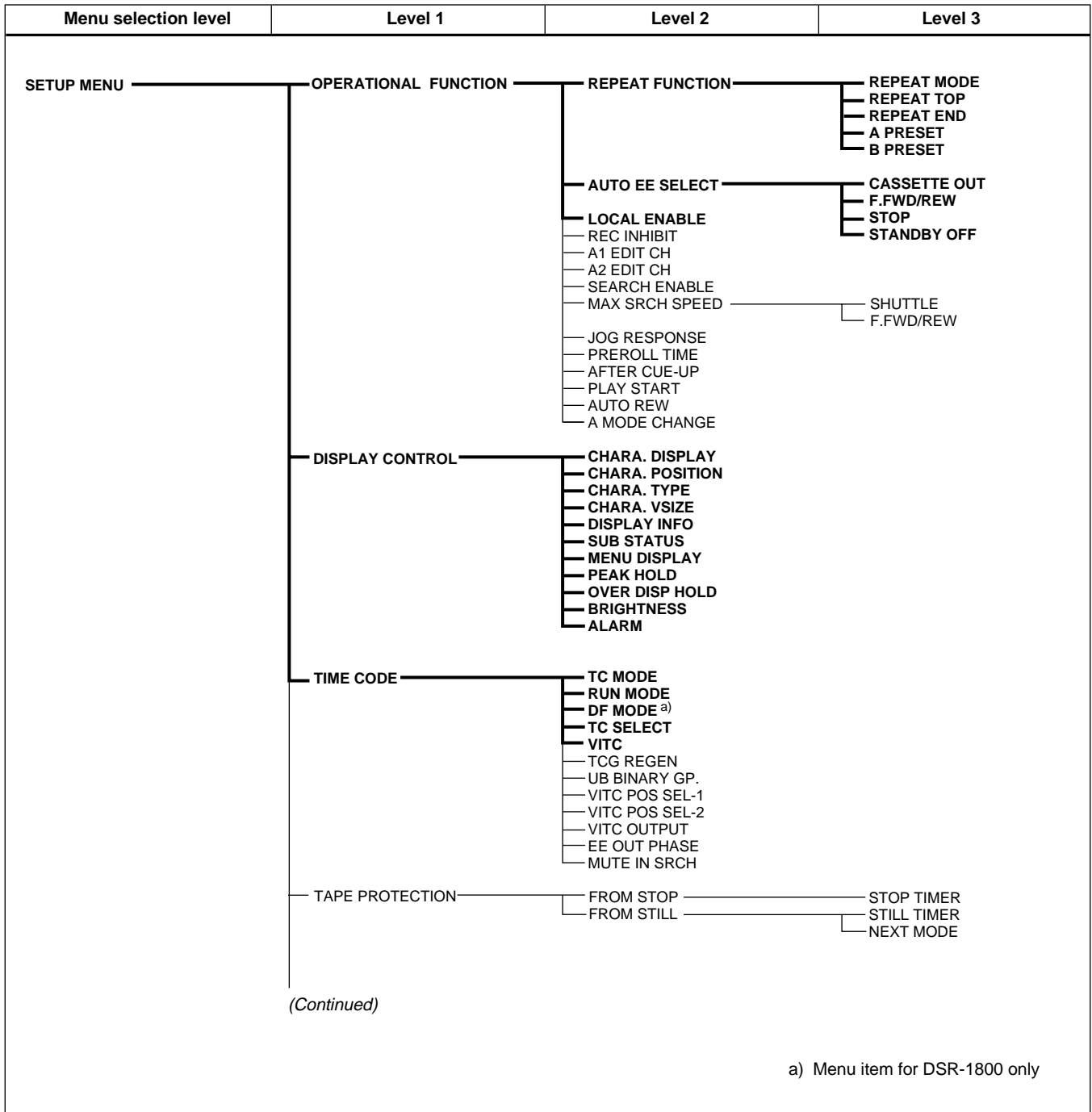
For details of the digital hours meter display, see “Regular Checks” on page 97.

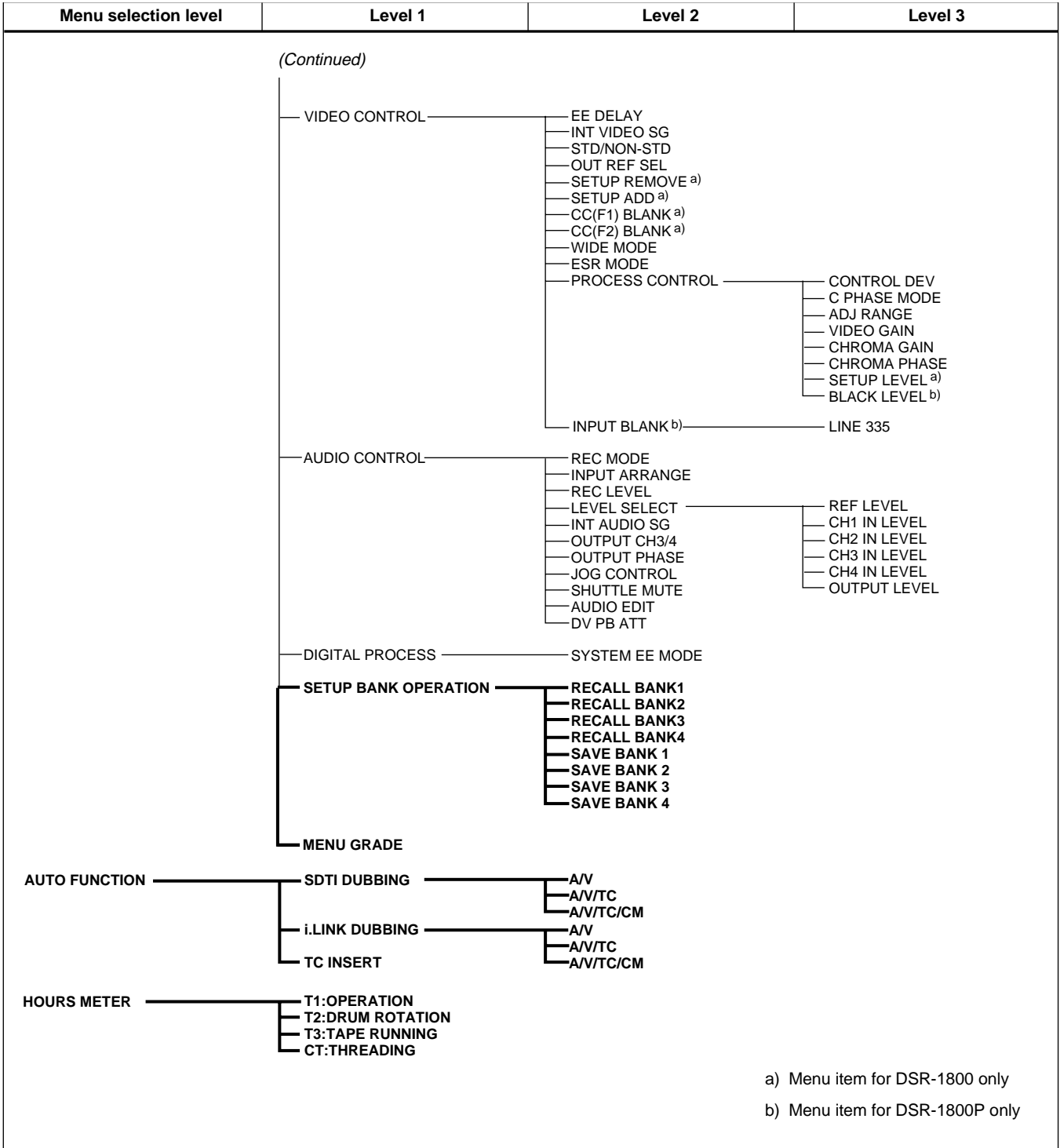
The items of the setup menu are divided into several functional groups on level 1, and except for the MENU GRADE item the settings themselves are made on level 2 or level 3.

Also, the menu items are divided into two categories according to how frequently they are accessed: the “basic” items, to which frequent access is normally required, and the “enhanced” items, which are less frequently used. In the following figure, the items shown in boldface are basic items, and the other items are enhanced items.

The menu settings are saved in non-volatile memory, which means they are not erased when you power off the unit after executing the setting operation.

Menu organization





Menu Contents

Setup Menu

The purpose and settings of the setup menu items are described below.

Indications of menu items and settings

- In the table below entitled “Menu contents,” the indication of each menu item or setting on the monitor screen is shown first, then the indication of the same item or setting in the time counter display of this unit is shown in square brackets ([]).

Examples:

Indication on monitor screen	Indication in time counter display
OPERATIONAL FUNCTION	[Operational]
CASSETTE OUT	[>> Cass. out]
*EE	[>>> EE]

- Settings preceded by an asterisk (such as *EE) are factory default settings.
- In the time counter display, one to three “>” symbols may precede item or setting indications depending on the current menu level. Larger numbers of “>” symbols indicate lower menu levels.

Menu contents

OPERATIONAL FUNCTION [Operational]: Operation settings	Description of settings	
REPEAT FUNCTION [>REP FUNC]: Make settings for repeat playback mode.	REPEAT MODE [>>REPEAT MD]: Determine whether or not to put the unit into repeat playback mode.	* OFF [>>> OFF]: Do not put the unit into repeat playback mode. ON [>>> ON]: Put the unit into repeat playback mode. ON (FREEZE) [>>> FREEZE]: Put the unit into freeze playback mode. In this case, while the unit is cueing up to the repeat start point, the freeze picture of the repeat end point is displayed.
	REPEAT TOP [>>REP TOP]: Determine whether the repeat start point is the beginning of tape or point A.	* TAPE TOP [>>>Tape top]: The repeat start point is the beginning of tape. A POINT [>>>A point]: The repeat start point is point A as set by the user.
	REPEAT END [>>REP END]: Determine whether the repeat end point is the end of the video recorded portion, the end of tape or point B.	* VIDEO END [>>>VD end]: The repeat end point is the end of the video recorded portion. TAPE END [>>>Tape end]: The repeat end point is the end of tape. B POINT [>>>B point]: The repeat end point is point B as set by the user.
	A PRESET [>>A preset]: Specify a time code value to be used as the setting of point A.	<i>For details, see “Setting Points A and B for Repeat Playback” on page 40.</i>
	B PRESET [>>B preset]: Specify a time code value to be used as the setting of point B.	<i>For details, see “Setting Points A and B for Repeat Playback” on page 40.</i>

OPERATIONAL FUNCTION [Operational]: Operation settings		Description of settings
AUTO EE SELECT [> Auto EE]: Determine whether the unit enters EE mode or PB mode when audio and video signals from other equipment are input. When this unit is used as the recorder for cut editing, it is possible to output the input audio and video signals to the monitor. This enables editing operation to be carried out using a single monitor.	CASSETTE OUT [>> Cass. out]: Operations when the cassette has been ejected	*EE [>>> EE]: Output video and audio signals received from other equipment. PB [>>> PB]: Mute video and audio signals.
	F. FWD/REW [>> F. FWD/REW]: Operations when in fast forward or rewind mode	EE [>>> EE]: Output video and audio signals received from other equipment. *PB [>>> PB]: The unit enters playback mode and outputs a playback video signal. Audio signals are muted.
	STOP [>> STOP]: Operations when in stop mode	EE [>>> EE]: Output video and audio signals received from other equipment. *PB [>>> PB]: The unit enters playback mode and outputs a still picture.
	STANDBY OFF [>> STBY OFF]: Operations when in standby off mode	EE [>>> EE]: Output video and audio signals received from other equipment. *PB [>>> PB]: The unit enters playback mode and outputs a still picture.
LOCAL ENABLE [> Local ENA]: Select which of the tape transport control buttons (EJECT, REW, PLAY, F FWD, STOP, and REC) operate when the REMOTE button is lit.	ALL DISABLE [>> All DIS]: All of the tape transport control buttons are disabled. *STOP & EJECT [>> STOP & EJ]: Only the STOP and EJECT buttons are enabled. ALL ENABLE [>> All ENA]: All of the tape transport control buttons are enabled, and settings such as preroll time change or time data display selection are effective.	
REC INHIBIT [>REC INH]: Determine whether to prohibit recording on tape.	*OFF [>> OFF]: Do not prohibit recording on tape. ON [>> ON]: Prohibit recording on tape. (The REC INHIBIT indicator on the front panel lights.)	
A1 EDIT CH [> A1 Edit CH]: Determine which audio channel the EDIT PRESET command set on an editing control unit (such as the PVE-500) for A1 is assigned to.	*CH-1 [>> CH-1]: Assign to channel 1. CH-2 [>> CH-2]: Assign to channel 2. CH-3 [>> CH-3]: Assign to channel 3. CH-1 & CH-2 [>> CH-1&2]: Assign to channel 1 and channel 2.	
A2 EDIT CH [> A2 Edit CH]: Determine which audio channel the EDIT PRESET command set on an editing control unit (such as the PVE-500) for A2 is assigned to.	*CH-2 [>> CH-2]: Assign to channel 2. CH-3 [>> CH-3]: Assign to channel 3. CH-4 [>> CH-4]: Assign to channel 4. CH-3 & CH-4 [>> CH-3&4]: Assign to channel 3 and channel 4.	
SEARCH ENABLE [>Search ENA]: Select how the unit enters the search mode.	*DIAL DIRECT [>> DIAL]: Press the SEARCH button or, except during recording or editing, turn the search dial. VIA SEARCH KEY [>> via KEY]: Press the SEARCH button.	
MAX SRCH SPEED [>Max SRCH]: Specify the maximum tape speed in search mode (shuttle) and F.FWD (fast forward)/REW (rewind) mode.	SHUTTLE [>>SHUTTLE]: Specify the maximum tape speed in search mode (shuttle).	X60 [>>> X60]: Maximum 60 times normal speed *X32 [>>> X32]: Maximum 32 times normal speed X16 [>>> X16]: Maximum 16 times normal speed
	F.FWD/REW [>>F.FWD/REW]: Specify the maximum tape speed in F.FWD/REW mode.	MAX [>>> MAX]: No maximum tape speed is specified. *X85 [>>> X85]: Maximum 85 times normal speed X60 [>>> X60]: Maximum 60 times normal speed X32 [>>> X32]: Maximum 32 times normal speed Note When this item is set to MAX, the playback video signal is muted.

OPERATIONAL FUNCTION [Operational]: Operation settings	Description of settings
<p>JOG RESPONSE [>JOG dial]: Select the tape speed characteristics for the search dial rotation rate in jog mode.</p>	<p>*TYPE1 (-1 to +1) [>> type 1]: Tape speed varies linearly over the range -1 to +1.</p> <p>TYPE2 (-3 to +3) [>> type 2]: Tape speed varies stepwise as shown in the figure below over the range -3 to +3. (Characterized by a zone around -1 and +1 where the tape speed is independent of the rotation rate)</p> <p>TYPE3 (-3 to +3) [>> type 3]: Tape speed varies linearly over the range -3 to +3, as shown in the figure below.</p> <div style="display: flex; justify-content: space-around; align-items: flex-start;"> <div style="text-align: center;"> <p>TYPE2</p> </div> <div style="text-align: center;"> <p>TYPE3</p> </div> </div>
<p>PREROLL TIME [> Preroll]: Set the preroll time.</p>	<p>0 SEC [>> 0 sec] to 15 SEC [>> 15 sec]: The preroll time can be set in one-second increments to between 0 and 15 seconds.</p> <p>A preroll time of at least 5 seconds is recommended when using this unit for editing. When an editing control unit such as the PVE-500 has been connected, this setting is disabled and the setting on the editing control unit is in effect. Operations such as the preroll time setting and the time data switching operation are also performed on the editing control unit.</p> <p>Factory default setting: 5 SEC [>> 5 sec]</p>
<p>AFTER CUE-UP [> After CUE]: Select the operating mode following cue-up.</p>	<p>*STOP [>> STOP]: Stop mode</p> <p>STILL [>> STILL]: Output still pictures in search mode.</p>
<p>PLAY START [> PLAY start]: Set the timing for switching from stop mode to playback mode.</p> <p>In an editing system including an editing control unit such as the PVE-500, you can adjust this setting so that the delay before switching to playback mode is the same on all the decks of the editing system. It is then no longer necessary to synchronize the decks for editing, and the preroll time can be shortened.</p>	<p>16 FRAME DELAY [>> 16 delay] to 4 FRAME DELAY [>> 4 delay]: The larger the numerical value, the longer the delay. By adjusting this setting, it is possible to reduce the phase synchronization time and preroll time during editing.</p> <p>Factory default setting: 5 FRAME DELAY [>> 5 delay] (for DSR-1800) or 4 FRAME DELAY [>> 4 delay] (for DSR-1800P)</p>
<p>AUTO REW [>Auto REW]: Select whether to rewind the tape automatically when recording or playback reaches the end of a tape.</p>	<p>DISABLE [>> DISABLE]: Do not rewind the tape automatically.</p> <p>*ENABLE [>> ENABLE]: Rewind the tape automatically.</p>
<p>A MODE CHANGE [>Aud change]: Determine whether or not to permit an insert editing that uses a different audio recording mode (2- or 4-channel mode) from that which was used for the tape loaded in the recorder.</p>	<p>*OFF [>> OFF]: Do not permit.</p> <p>ON [>> ON]: Permit.</p>

DISPLAY CONTROL [Display]: Settings related to indications on the monitor and the unit	Description of settings
CHARA. DISPLAY [> Chara disp]: Determine whether or not to output text (such as time code values) from the VIDEO OUT 2 (SUPER) connector.	OFF [>> OFF]: Do not output text. (In spite of this setting, pressing the MENU button causes menu text to be output.) *ON [>> ON]: Output text.
CHARA. POSITION [> Chara pos]: Set the position of text superimposed on output from the VIDEO OUT 2 (SUPER) connector to the monitor.	Use $\uparrow\downarrow\leftarrow\rightarrow$ buttons on the menu control panel to adjust the text position while watching the monitor screen. To return to the level 1 of the setup menu, press the MENU button.
CHARA. TYPE [> Chara type]: Set the type of characters in text superimposed on output from the VIDEO OUT 2 (SUPER) connector to the monitor.	Make the following settings while watching the monitor screen. *WHITE (WITH BKGD) [>> White]: White characters on black background BLACK (WITH BKGD) [>> Black]: Black characters on white background WHITE/OUTLINE [>> W/outline]: White characters with black outline BLACK/OUTLINE [>> B/outline]: Black characters with white outline
CHARA. VSIZE [>Chara size]: Determine the vertical size of characters such as time code output from the VIDEO OUT 2 (SUPER) connector for superimposed display on the monitor.	Make the selection while watching the monitor screen. *x1 [>> x1]: Standard size x2 [>> x2]: 2 times standard size
DISPLAY INFO [> DISP info]: Select information superimposed on output from the VIDEO OUT 2 (SUPER) connector to the monitor.	*TIME DATA & STATUS [>> Time&STA]: Time data and operating mode indications TIME DATA & UB [>> Time&UB]: Time data selected using the COUNTER SEL button, and user bit data (When user bit data is selected using the COUNTER SEL button, user bit data and time code are shown.) TIME DATA & CNT [>> Time&CNT]: Time data selected using the COUNTER SEL button, and CNT value (When CNT is selected using the COUNTER SEL button, CNT value and time code are shown.) TIME DATA & TIME [>> Time&Time]: Time data and VITC TIME DATA ONLY [>> Time]: Time data only REC DATE & TIME [>> REC Date]: The time data selected with the COUNTER SEL button is shown in the time counter display, and the date and time of recording are shown on the monitor screen.
SUB STATUS [> Sub status]: Select supplementary status information superimposed on output from the VIDEO OUT 2 (SUPER) connector to the monitor.	*OFF [>> OFF]: Nothing of supplementary status information EDIT PRESET [>> Edit pre]: Indications of the editing mode settings made from the connected editing control unit TC MODE [>> TC mode]: Indications of the operating mode of internal time code generator REMAIN [>> Remain]: Remaining capacity of the tape AUDIO MIXING [>> Aud Mix]: Indications of input audio mixing ALL [>> ALL]: All of the above-mentioned items of supplementary status information <i>For details of supplementary status information displayed on the monitor when a setting other than OFF is selected, see "Displaying Supplementary Status Information" on page 80.</i>
MENU DISPLAY [> Menu DISP]: Set the type of characters in menu text superimposed on output from the VIDEO OUT 2 (SUPER) connector to the monitor.	Make the following settings while watching the monitor screen. *WHITE (WITH BKGD) [>> White]: White characters on black background BLACK (WITH BKGD) [>> Black]: Black characters on white background WHITE/OUTLINE [>> W/outline]: White characters with black outline BLACK/OUTLINE [>> B/outline]: Black characters with white outline

DISPLAY CONTROL [Display]: Settings related to indications on the monitor and the unit	Description of settings
PEAK HOLD [>Peak hold]: Set the peak hold time for the audio level meters.	OFF [>> OFF] to 1.5 SEC [1.5 sec]: Set the peak hold time in the range of OFF (no peak hold) to 1.5 seconds in 0.1 second steps. Factory default setting: OFF [>> OFF]
OVER DISP HOLD [> Hold OVER]: Determine whether or not to hold the OVER indication display on the audio level meters once the indications light.	*OFF [>> OFF]: Do not hold the OVER indication display. ON (HOLD) [>> ON]: Hold the OVER indication display. Note With ON selected, once the display is held it will remain held unless you change the setting to OFF.
BRIGHTNESS [> Brightness]: Set the brightness of front panel indicators.	Set brightness as a percentage of the maximum. 100% [>> 100%] *75% [>> 75%] 50% [>> 50%]
ALARM [> ALARM]: Determine whether alarm messages are issued or not.	OFF [>> OFF]: Alarm messages are not issued. *ON [>> ON]: Alarm messages are issued.

TIME CODE [Time code]: Settings related to the time code generator	Description of settings
TC MODE [> TC mode]: Determine the time code to use: internal time code using a preset initial value, regenerated internal time code (locked to time code read from tape), or external time code.	*INT PRESET [>> PRESET]: Use internal time code with a preset initial value. INT REGEN [>> REGEN]: Use internal time code locked to time code read from tape. EXT REGEN [>> EXT]: Use external time code selected as follows. <ul style="list-style-type: none"> • When TC is selected External time code input to the TIME CODE IN connector • When VITC is selected The VITC time code present in the input video signal Note When the selected input mode is SDTI or i.LINK (the V:SDTI, SDTI, or i.LINK indicator is lit in the Input selection/audio mode display section), setting this item to EXT REGEN causes the internal time code generator to automatically synchronize with the external time code input to the unit via the SDTI or i.LINK interface.
RUN MODE [> RUN mode]: Select the advancement (RUN) mode of the time code generator.	*FREE RUN [>> FREE RUN]: Time code generator keeps running. REC RUN [>> REC RUN]: Time code generator only runs while recording. Note Set to FREE RUN when carrying out editing with an editing control unit. With the REC RUN setting, editing will not be carried out correctly.
(For DSR-1800 only) DF MODE [> DF mode]: Select whether the time code generator and time counter operate in drop frame mode or non-drop frame mode. Normally select drop frame mode, to keep in synchronization with real time. The non-drop frame mode is useful for example when using computer graphics, and working on a frame count basis.	*ON (DF) [>> ON (DF)]: Drop frame mode OFF (NDF) [>> OFF (NDF)]: Non-drop frame mode
TC SELECT [>TC select]: Determine which to display in the time counter display, TC or VITC.	VITC [>> VITC]: Display VITC. *TC [>> TC]: Display TC.

TIME CODE [Time code]: Settings related to the time code generator	Description of settings
VITC [> VITC]: Determine whether to record the internally generated time code as VITC.	OFF [>> OFF]: Do not record the internally generated time code as VITC. (VITC present in the input video signal is recorded unchanged.) *ON [>> ON]: Record the internally generated time code as VITC.
TCG REGEN [>TCG regen]: Select the signal to be regenerated when the time code generator is in the regeneration mode (i.e., when the TC MODE menu item is set to INT REGEN or EXT REGEN).	*TC & UB [>> TC & UB]: Both the time code and user bits are regenerated. TC [>> TC]: Only the time code is regenerated. UB [>> UB]: Only the user bits are regenerated.
UB BINARY GP. [> Binary Gp.]: Select the user bit binary group flag of the time code generator. Note When the TC MODE menu item is set to EXT REGEN, the user-bit binary group flag setting follows the setting on the time code input to this unit.	*000: NOT SPECIFIED [>> 000]: Character set not specified 001: ISO CHARACTER [>> 001]: 8-bit characters conforming to ISO 646 and ISO 2022 010: UNASSIGNED-1 [>> 010]: Undefined 011: UNASSIGNED-2 [>> 011]: Undefined 100: UNASSIGNED-3 [>> 100]: Undefined 101: PAGE/LINE [>> 101]: Multiplex 110: UNASSIGNED-4 [>> 110]: Undefined 111: UNASSIGNED-5 [>> 111]: Undefined
VITC POS SEL-1 [>VITC pos-1]: Select a line to insert the VITC in. Note You can insert the VITC signal in two places. To insert it in two places, set both this item and also VITC POS SEL-2.	(For DSR-1800) 12 LINE [>> 12 line] to 20 LINE [>> 20 line]: Select any line from 12 to 20. Factory default setting: 16 LINE [>> 16 line] (For DSR-1800P) Select a line to insert the VITC in. 9 LINE [>> 9 line] to 22 LINE [>> 22 line]: Select any line from 9 to 22. Factory default setting: 19 LINE [>> 19 line]
VITC POS SEL-2 [>VITC pos-2]: Select a line to insert the VITC in. Note You can insert the VITC signal in two places. To insert it in two places, set both this item and also VITC POS SEL-1.	(For DSR-1800) 12 LINE [>> 12 line] to 20 LINE [>> 20 line]: Select any line from 12 to 20. Factory default setting: 18 LINE [>> 18 line] (For DSR-1800P) Select a line to insert the VITC in. 9 LINE [>> 9 line] to 22 LINE [>> 22 line]: Select any line from 9 to 22. Factory default setting: 21 LINE [>> 21 line]
VITC OUTPUT [>VITC out]: Select the time code to be output as VITC.	OFF [>> OFF]: Do not output VITC. TC [>> TC]: Output TC after converting it into VITC. *VITC [>> VITC]: Output VITC.
EE OUT PHASE [>EE out]: Determine the output phase for the LTC signal output from the TIME CODE OUT connector when recording time code and in STOP REC mode (forced EE mode).	*MUTE [>>mute]: Mute the output. THROUGH [>> through]: Output the time code input to the TIME CODE IN connector as it is. (See example configuration on page 73.) VIDEO INPUT PHASE [>> V input]: Output the time code with the same phase as the input video signal phase. (See example configuration on page 73.) VIDEO OUTPUT PHASE [>> V output]: Output the time code with the same phase as the output video signal phase. (See example configuration on page 74.)
MUTE IN SRCH [>Mute in SR]: Select whether to mute the output from the TIME CODE OUT connector in search (jog/shuttle) mode.	OFF [>> OFF]: Do not mute. *ON [>> ON]: Mute.

TAPE PROTECTION [Tape protct]: Settings related to tape and video head protection		Description of settings
FROM STOP [> From STOP]: Set the time to switch from stop mode to tape protection mode.	STOP TIMER [>> STP timer]: Set the time to switch from stop mode to tape protection mode.	5 MIN [>>> 5 min] to 0.5 SEC [>>> 0.5 sec]: Select time from 12 settings ranging from 0.5 second to 5 minutes in steps of 0.1 second. Factory default setting: 1MIN [>>> 1min]
FROM STILL [> From STILL]: Set the time to switch from still search mode to tape protection mode. Also select the type of tape protection mode.	STILL TIMER [>> STL timer]: Set the time to switch from still search mode to tape protection mode.	5 MIN [>>> 5 min] to 0.5 SEC [>>> 0.5 sec]: Select time from 12 settings ranging from 0.5 second to 5 minutes in steps of 0.1 second. Factory default setting: 1MIN [>>> 1min]
	NEXT MODE [>> Next mode]: Select the type of tape protection mode to follow still search mode when the time set with the STILL TIMER menu item elapses.	*STEP FWD [>>> Step]: The tape is advanced at $\frac{1}{30}$ times normal speed for about 2 seconds. STANDBY OFF [>>> STANDBY]: Standby off mode

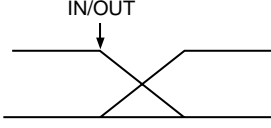
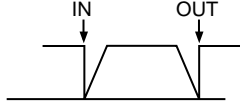
VIDEO CONTROL [Video]: Settings related to video control		Description of settings
EE DELAY [>EE delay]: An E-E video signal is output delayed with respect to the video input signal by the time for video circuit processing. With this item, select whether or not to delay the sync signal attached to the output video signal by an amount corresponding to the video signal delay.		*SYNC DELAY [>> sync]: Delay the sync signal by the corresponding amount of time before attaching it. VIDEO DELAY [>> video]: Attach a sync signal with the same timing as the input signal.
INT VIDEO SG [>Video SG]: Select the test signal to be output from the internal test signal generator. When SG is selected using the VIDEO IN button, the internal test signal generator outputs the selected test signal. This signal can be recorded.		*75% COLOR BARS [>>75% bars]: 75% color bar signal BLACK BURST [>>BB]: Black burst signal
STD/NON-STD [>STD/N-STD]: Select the STD or NON-STD mode in accordance with the composite video or S-video input.		*FORCED STD [>> STD]: The STD mode is always used (forced STD mode). FORCED NON-STD [>> NON-STD]: Use this setting when the input video signal is unstable (forced NON-STD mode).
OUT REF SEL [>Out Ref.]: Select the reference video signal to use.		*REF VIDEO [>> REF]: Use the signal input to a REF. VIDEO IN connector as the reference video signal. The input video signal to be edited is required to be in synchronization with the reference video signal. INPUT VIDEO [>> INPUT]: Use the input video signal selected with the VIDEO IN button in the INPUT SELECT section.
(For DSR-1800 only) SETUP REMOVE [> Setup rmv]: Determine whether or not to remove black setup (7.5 IRE) from input analog video signals when converting them into digital signals.		*OFF [>> OFF]: Do not remove black setup. ON (REMOVE) [>> ON]: Remove black setup.
(For DSR-1800 only) SETUP ADD [> Setup add]: Determine whether or not to add black setup to analog video output signals.		*OFF [>> OFF]: Do not add black setup. ON (ADD) [>> ON]: Add black setup.
(For DSR-1800 only) CC(F1) BLANK [>CC1 blank]: Select whether to mute the closed caption signal to be superimposed on the 1st field of the output video signal.		*OFF [>> OFF]: Do not mute. ON [>> ON]: Mute.
(For DSR-1800 only) CC(F2) BLANK [>CC2 blank]: Select whether to mute the closed caption signal to be superimposed on the 2nd field of the output video signal.		*OFF [>> OFF]: Do not mute. ON [>> ON]: Mute.

VIDEO CONTROL [Video]: Settings related to video control		Description of settings
WIDE MODE [>Wide mode]: Determine whether to retain wide-screen aspect ratio information accompanying video being recorded or played back.		<p>*AUTO [>> Auto]: When video being recorded or played back is accompanied by wide-screen aspect ratio information, retain the information.</p> <p>OFF [>> OFF]: Ignore wide-screen aspect ratio information.</p> <p>ON [>> ON]: Whenever recording or playing back video, retain wide-screen aspect ratio information.</p>
ESR MODE [>ESR mode]: Select whether to enable the edge subcarrier reducer (ESR).		<p>*OFF [>> OFF]: Do not enable.</p> <p>ON [>> ON]: Enable.</p> <p>When playing back a composite signal, set this to ON.</p>
PROCESS CONTROL [>Proc ctrl]	CONTROL DEV [>>Ctrl dev]: Select the method of controlling the internal digital video processor.	<p>*REMOTE [>>>REMOTE]: Use the optional UVR-60/60P or BVR-50/50P Remote Control Unit to remote control the internal digital video processor.</p> <p>MENU [>>> MENU]: Use the setup menu to change the settings for the internal digital video processor.</p>
	C PHASE MODE [>>C Phas MD]: Select the phase rotation mode for chroma phase control. The effect of this setting applies to the output levels of all of the composite video, S video, SDI and component video signals.	<p>*U/V (COMPOSITE) [>>> Cmpst]: Select this setting when observing the composite video output level using a composite vectorscope.</p> <p>PB/PR (COMPONENT) [>>> Cmpnt]: Select this setting when observing the component video output level using a component vectorscope.</p>
	ADJ RANGE [>>Adj range]: Select the variable range of the VIDEO and CHROMA gains.	<p>*-3 to +3 (dB) [>>> -3/+3]: -3 dB to +3 dB</p> <p>WIDE [>>> wide]: -∞ to +3 dB</p>
	VIDEO GAIN [>>V gain]: Adjust the video output level.	00H to 3FFH Factory default setting: 200H
	CHROMA GAIN [>>C gain]: Adjust the chroma output level.	00H to 3FFH Factory default setting: 200H
	CHROMA PHASE [>>C phase]: Adjust the chroma phase.	00H to FFH Factory default setting: 80H
	(For DSR-1800 only) SETUP LEVEL [>>Setup lev]: Adjust the black setup level.	00H to 3FFH Factory default setting: 200H
	(For DSR-1800P only) BLACK LEVEL [>>Black lev]: Adjust the black level.	00H to 3FFH Factory default setting: 200H
(For DSR-1800P only) INPUT BLANK [>Input blk]	LINE 335 [>>Line 335]: Switch blanking on or off for the 335th line of the input video signal.	<p>BLANK [>>> blank]: Blank.</p> <p>THROUGH [>>> through]: Do not blank.</p>

AUDIO CONTROL [Audio]: Settings related to audio control		Description of settings
REC MODE [>REC mode]: Select the audio recording mode.		<p>*2CHANNEL (48kHz) [>> 2 ch]: 2-channel, 48-kHz mode</p> <p>4CHANNEL (32kHz) [>> 4 ch]: 4-channel, 32-kHz mode</p>

AUDIO CONTROL [Audio]: Settings related to audio control	Description of settings
<p>INPUT ARRANGE [>Input arng]: Make settings for input audio mixing.</p>	<p>Set the channels on which to record the input audio signals as follows.</p> <p>(1) Use the ←⇒⇅⇅ buttons to move the cursor and the SET (YES) button to toggle the setting on and off.</p> <p>(2) To save the settings, press the MENU button to return to the previous screen, then press the SET (YES) button.</p> <p>Example settings:</p> <div data-bbox="938 434 1235 668" style="border: 1px solid black; padding: 5px; margin: 10px auto; width: fit-content;"> <pre> AUDIO INPUT SOURCE ARRANGE ----- in1 in2 in3 in4 ----- ch1:*on ch2: on on ch3: on on ch4: on ON/OFF : SET KEY TO MENU : MENU KEY </pre> </div> <p>① Input audio channel 1 (“in1”) is recorded on audio channel 1 (“ch1”) on tape.</p> <p>② Input audio channels 2 and 4 (“in2” and “in4”) are recorded mixed on audio channel 2 (“ch2”) on tape.</p> <p>③ Input audio channel 4 (“in4”) is recorded on audio channel 3 (“ch3”) on tape.</p> <p>④ Input audio channel 3 (“in3”) is recorded on audio channel 4 (“ch4”) on tape.</p>
<p>REC LEVEL [>Rec level]: Determine whether to enable or disable the AUDIO INPUT LEVEL control knobs on the front panel.</p>	<p>*VARIABLE [>> Variable]: Enable.</p> <p>PRESET [>> Preset]: Disable.</p>

AUDIO CONTROL [Audio]: Settings related to audio control	Description of settings	
LEVEL SELECT [>Level Sel]	REF LEVEL [>>REF Level]: Select the audio reference level (headroom) for recording on tape.	*-20 dB [>>> -20dB] (factory default setting for DSR-1800) *-18 dB [>>> -18dB] (factory default setting for DSR-1800P) -16 dB [>>> -16dB] -12 dB [>>> -12dB]
	CH1 IN LEVEL [>>CH1 input]: Select the audio level setting according to the audio level of the signal input to the AUDIO IN CH-1 connector.	*+4 dBm [>>> +4dBm] 0 dBm [>>> 0dBm] -3 dBm [>>> -3dBm] (for DSR-1800P only) -6 dBm [>>> -6dBm]
	CH2 IN LEVEL [>>CH2 input]: Select the audio level setting according to the audio level of the signal input to the AUDIO IN CH-2 connector.	*+4 dBm [>>> +4dBm] 0 dBm [>>> 0dBm] -3 dBm [>>> -3dBm] (for DSR-1800P only) -6 dBm [>>> -6dBm]
	CH3 IN LEVEL [>>CH3 input]: Select the audio level setting according to the audio level of the signal input to the AUDIO IN CH-3 connector.	*+4 dBm [>>> +4dBm] 0 dBm [>>> 0dBm] -3 dBm [>>> -3dBm] (for DSR-1800P only) -6 dBm [>>> -6dBm]
	CH4 IN LEVEL [>>CH4 input]: Select the audio level setting according to the audio level of the signal input to the AUDIO IN CH-4 connector.	*+4 dBm [>>> +4dBm] 0 dBm [>>> 0dBm] -3 dBm [>>> -3dBm] (for DSR-1800P only) -6 dBm [>>> -6dBm]
	OUTPUT LEVEL [>>Out Level]: Select the analog audio output reference level.	*+4 dBm [>>> +4dBm] 0 dBm [>>> 0dBm] -3 dBm [>>> -3dBm] (for DSR-1800P only) -6 dBm [>>> -6dBm]
INT AUDIO SG [>Audio SG]: Select the operation of the internal audio test signal generator.	SILENCE [>> silence]: Silent signal *1kHz SINE [>> 1kHz]: 1-kHz, -20 dB FS sine wave signal When you select SG as the audio input in the INPUT SELECT section on the front panel, the audio test signal generated by the internal audio test signal generator is input.	
OUTPUT CH3/4 [>OUT ch3/4]: Select the signals to be output from the AUDIO OUT CH-3 and AUDIO OUT CH-4 connectors.	*LINE OUT [>> line out]: Output the audio channel-3 and audio channel-4 signals from the AUDIO OUT CH-3 and AUDIO OUT CH-4 connectors as they are. MONITOR OUT [>> monitor]: Output the monitor audio L-channel (CH-1) and monitor audio R-channel (CH-2) signals from the AUDIO OUT CH-3 and AUDIO OUT CH-4 connectors, respectively.	
OUTPUT PHASE [>Out phase]: Select the audio playback signal output timing.	AUDIO OUTPUT PHASE: 0 to FF (Select in this range.) The reference position corresponds to a setting of 80H. When a value smaller than 80H is selected, the output timing is advanced, and when a value larger than 80H is selected, the output timing is delayed. (80H = 128 samples = approx. 2.7 ms, 1 sample = approx. 20 μs) Factory default setting: 80H	
JOG CONTROL [> Jog ctrl]: Select whether to adjust the audio playback speed during slow playback.	OFF [>> OFF]: Do not adjust the audio playback speed. *ON [>> ON]: Adjust the audio playback speed.	

AUDIO CONTROL [Audio]: Settings related to audio control	Description of settings
SHUTTLE MUTE [>Shutl mute]: Set the audio muting conditions during shuttle playback.	* OFF [>> OFF]: Not muted. CUEUP or PREROLL [>> CUEUP]: Muted during cue-up or preroll operations. FULL [>> FULL]: Muted in shuttle mode.
AUDIO EDIT [>Audio edit]: Specify the type of editing for audio signals.	CUT EDIT [>> Cut edit]: Cut editing (Discontinuity in audio signal may result at the editing point, causing noise during playback.) * CROSS FADE [>> Cross]: Cross-fade  FADE IN/OUT [>> Fade]: Fade in and fade out 
DV PB ATT [>DV PB ATT]: When playing back a tape recorded in consumer DV format, select whether to attenuate the audio output level.	OFF [>> OFF]: Do not attenuate. * ON [>> ON]: Attenuate.

DIGITAL PROCESS [Digi. proc]: Settings related to digital process	Description of settings
SYSTEM EE MODE [>System EE]: Select the bypass E-E mode or system E-E mode.	* OFF [>> OFF]: Bypass E-E (ordinary setting) ON [>> ON]: System E-E

SETUP BANK OPERATION [Setup Bank]: Settings related to menu bank operations	Description of settings
RECALL BANK1 [>Recall 1]: Recall menu settings from menu bank 1.	(1) Select the bank you want to recall, then press the ⇔ button. Message "RECALL OK?" appears. (2) To recall, press the SET (YES) button. To quit recalling, press the RESET (NO) button.
RECALL BANK2 [>Recall 2]: Recall menu settings from menu bank 2.	
RECALL BANK3 [>Recall 3]: Recall menu settings from menu bank 3.	
RECALL BANK4 [>Recall 4]: Recall menu settings from menu bank 4.	
SAVE BANK 1 [>Save 1]: Save current menu settings to menu bank 1.	(1) Select the bank you want to save, then press the ⇔ button. Message "SAVE OK?" appears. (2) To save, press the SET (YES) button. To quit saving, press the RESET (NO) button.
SAVE BANK 2 [>Save 2]: Save current menu settings to menu bank 2.	
SAVE BANK 3 [>Save 3]: Save current menu settings to menu bank 3.	
SAVE BANK 4 [>Save 4]: Save current menu settings to menu bank 4.	
Menu banks This unit allows four different complete sets of menu settings to be saved in what are termed "menu banks" numbered 1 to 4. Saved sets of menu settings can be recalled for use as required.	

MENU GRADE [Menu grade]: Selection of menu items to be displayed	Description of settings
Determine whether to display basic items only or both basic and enhanced items on the monitor screen and in the time counter display when using the menu.	<p>*BASIC [> Basic]: Display basic items only.</p> <p>ENHANCED [> Enhanced]: Display both basic and enhanced items.</p>

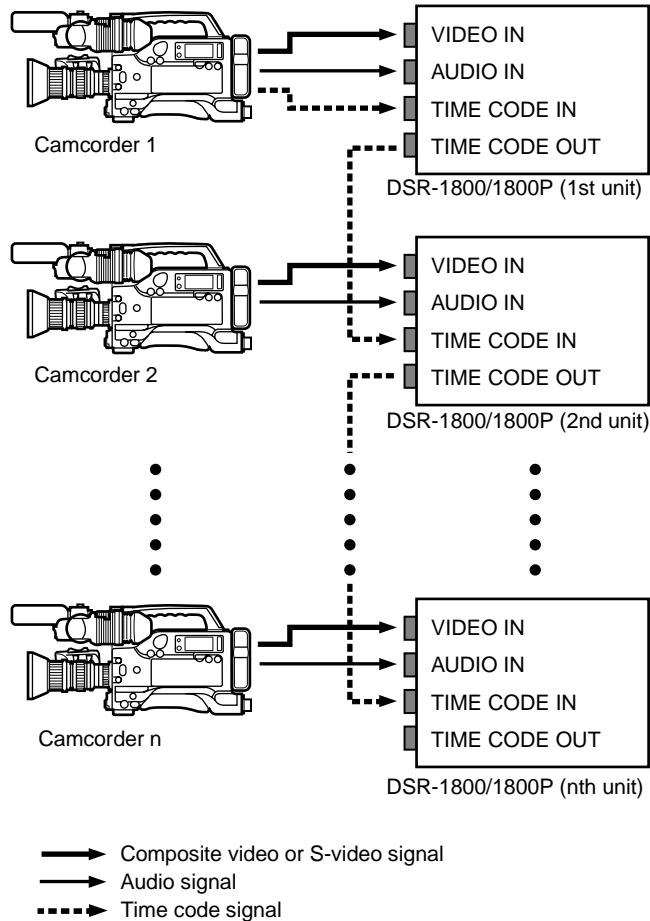
EE OUT PHASE settings for time code output

Use the following as reference information when setting the EE OUT PHASE menu item (*see page 67*).

• THROUGH mode

In this mode, the LTC signal is output with the phase synchronized with the input time code signal. This mode is appropriate when recording signals from multiple devices on a number of VCRs.

When the camcorder is in genlock mode, the time code precision is ± 0 frames. When the camcorder is not in genlock mode, it is ± 1 frame.

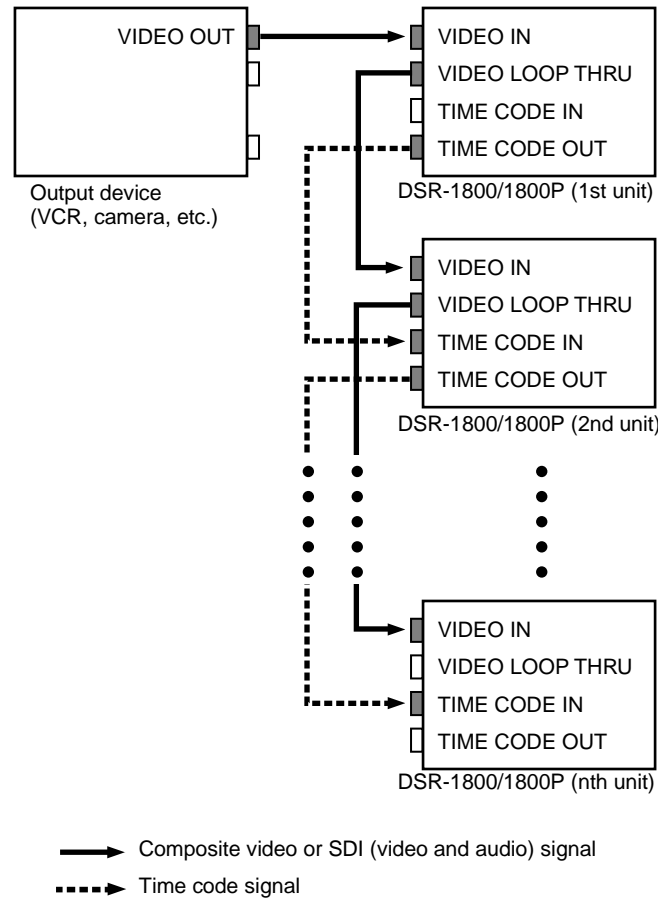


• VIDEO INPUT PHASE mode

The time code output signal is synchronized with the input video signal.

This mode is appropriate when the output from a single device is recorded on a number of VCRs. The connections are loop-through connections.

In this mode, the same time code is recorded on all of the VCRs 1 to n.

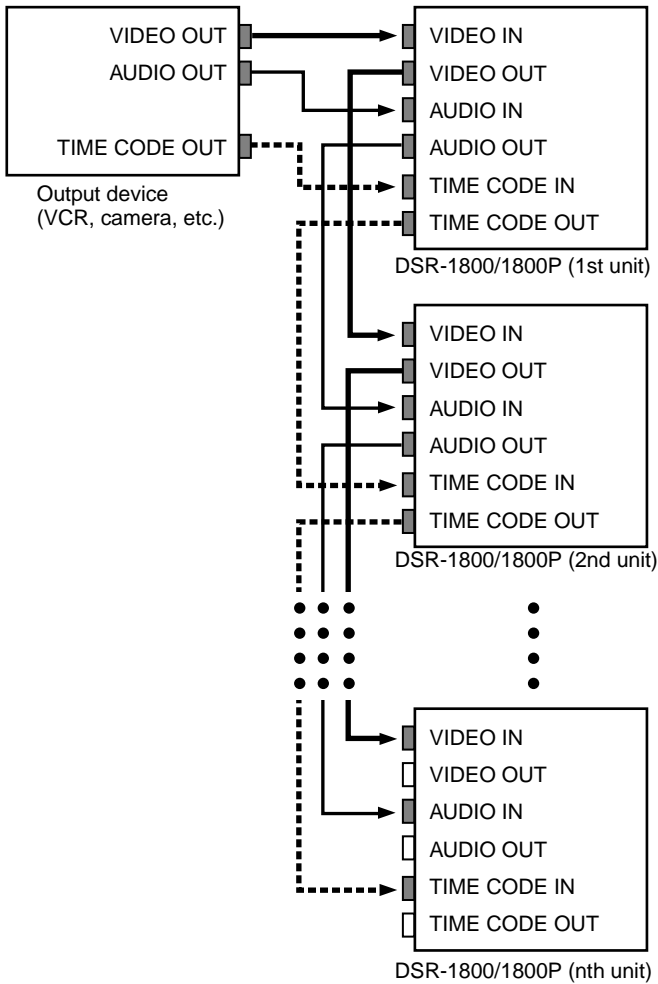


• **VIDEO OUTPUT PHASE mode**

The time code output signal is synchronized with the output video signal.

This mode is appropriate when outputting signals from a single device to a number of VCRs using separate cables for video, audio, and time code.

In this mode, the same time code is recorded on all of the VCRs 1 to n.



- • Composite video signal
- • S-video signal
- • Analog component signal
- • SDI (video and audio) signal
- Audio signal
- - - - - Time code signal

Auto Mode (AUTO FUNCTION) Execution Menu

The following table shows the purpose and function of the items in the auto mode execution menu.

For details of the use of individual items, see “Digitally Dubbing Signals in DVCAM Format” on page 56 and “Rerecording the Time Code—TC Insert Function” on page 51.

Menu contents

SDTI DUBBING [SDTI DUB]: Selection of data for SDTI dubbing	Settings
For dubbing through the SDTI (QSDI) interface, select data that the dubbing applies to.	<p>A/V [> A/V]: Dub the audio and video. A/V/TC [> A/V/TC]: Dub the audio, video, and time code. A/V/TC/CM [> A/V/TC/CM]: Dub the audio, video, time code, and cassette memory contents.</p> <p>Note When A/V is selected, the time code recorded follows the setting of the TIME CODE menu items (see page 66) in the setup menu.</p>
i.LINK DUBBING [i.LINK DUB]: Selection of data for i.LINK dubbing	Settings
For dubbing through the i.LINK interface, select data that the dubbing applies to.	<p>A/V [> A/V]: Dub the audio and video. A/V/TC [> A/V/TC]: Dub the audio, video, and time code. A/V/TC/CM [> A/V/TC/CM]: Dub the audio, video, time code, and cassette memory contents.</p> <p>Note When A/V is selected, the time code recorded follows the setting of the TIME CODE menu items (see page 66) in the setup menu.</p>
TC INSERT [TC insert]: Time code rewriting	Settings
Rewrite the time code from an initial value which can be set freely.	—

Changing Menu Settings

This section explains how to change menu settings.

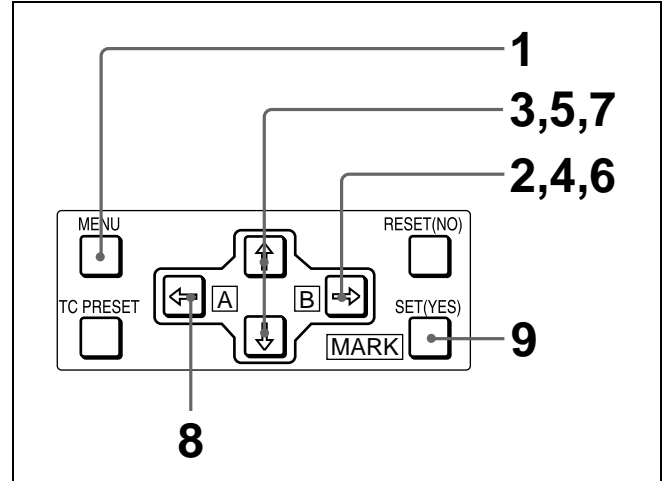
Buttons Used to Change Settings

Use the following buttons on the menu control panel to change the menu settings.

Menu control buttons	Functions
MENU button	<ul style="list-style-type: none"> Opens the menu and launches menu control mode. Closes the menu and exits menu control mode.
↑ and ↓ buttons	These buttons move the highlighted cursor up and down within the current level to select an item or setting. Hold down one of these buttons to make the highlighted cursor move continuously.
⇐ and ⇒ buttons	<ul style="list-style-type: none"> Press the ⇒ button to go down one level. Press the ⇐ button to go up one level. Hold down one of these buttons to make the highlighted cursor move continuously.
RESET (NO) button	<ul style="list-style-type: none"> Returns the setting to the factory default setting. Sends a negative response to prompts on the monitor screen.
SET (YES) button	<ul style="list-style-type: none"> Saves the new setting in memory. Sends a positive response to prompts on the monitor screen.

Changing the Settings of Basic Items

The factory default setting is to display only the basic items. To change the settings of basic items proceed as follows.

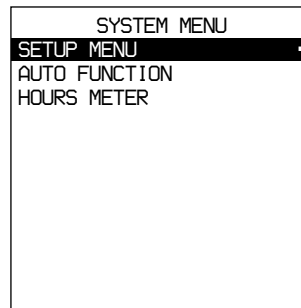


1 Press the MENU button on the menu control panel.

The menu selection level display appears on the monitor. In the figure below, “SETUP MENU” is selected (shown in reverse video).

The time counter display of this unit shows only the currently selected item. When the item name is long, it is abbreviated.

Menu selection level display



Monitor screen

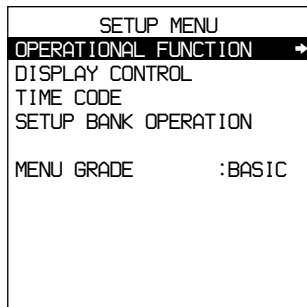


Time counter display

2 With “SETUP MENU” selected, press the ⇨ button.

This displays all items on menu level 1.

Level-1 menu display



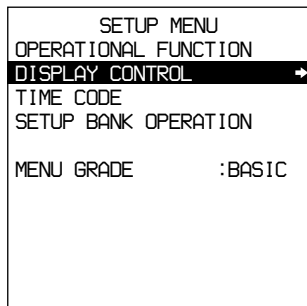
Monitor screen



Time counter display

3 Press the ↑ or ↓ button to select the required item.

Example: Display when “DISPLAY CONTROL” is selected



Monitor screen

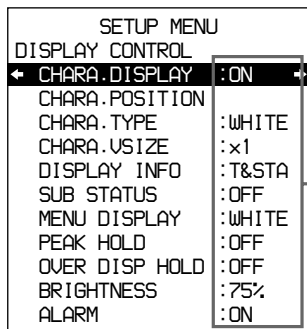


Time counter display

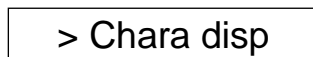
4 Press the ⇨ button.

This displays the menu level 2 for the menu item selected in step 3.

Example: Level-2 display for “DISPLAY CONTROL”



Monitor screen



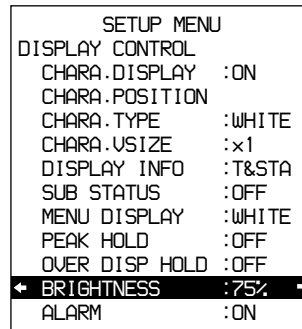
Time counter display

Current settings

5 Press the ↑ or ↓ button to select the item whose setting you wish to change.

For menu items on level 3, press the ⇨ button to go to the level 3, then press the ↑ or ↓ button to select the item whose setting you wish to change.

Example: Display when “BRIGHTNESS” is selected



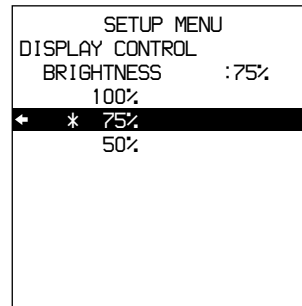
Monitor screen



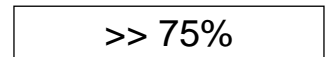
Time counter display

6 Press the ⇨ button.

This displays all possible settings for the item selected in step 5.

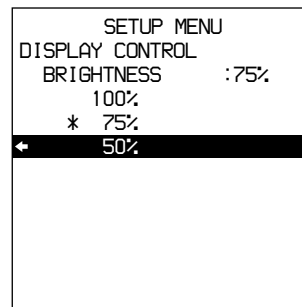


Monitor screen

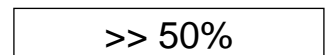


Time counter display

7 Press the ↑ or ↓ button to change the setting of the item.



Monitor screen



Time counter display

8 To change other settings, press the ⇐ button to return to the previous screen, then repeat steps 5 to 7 as required.

9 When you have completed the settings, press the SET (YES) button.

The message “NOW SAVING...” appears on the monitor screen, and “Saving...” appears in the time counter display, while the new settings are saved in memory.

When the saving operation is completed, the monitor screen and time counter display return to their normal indications.

Notes

- If you power off the unit before saving operation is completed, settings may be lost. Wait until the saving is completed before powering off the unit.
- If, instead of pressing the SET (YES) button, you press the MENU button, the new settings are not saved. The message “ABORT!” appears on the monitor screen and “Abort!” in the time counter display for about 0.5 second, and the system exits the menus. To change more than one setting, be sure to press the SET (YES) button after making the settings.

Meanings of indications on the monitor screen

On-screen indication	Meaning
Right-pointing arrow (⇒) at the right of a menu item <i>See step 1 of the foregoing operating procedure.</i>	Pressing the ⇒ button switches to the next lower menu level or to a setting selection screen.
Left-pointing arrow (⇐) at the left of a menu item <i>See step 4 of the foregoing operating procedure.</i>	Pressing the ⇐ button returns to the previous (higher) menu level.
Character string at the right of a menu item <i>See step 4 of the foregoing operating procedure.</i>	Current setting of the menu item. <ul style="list-style-type: none"> • When shown with a colon (:): the current setting is the same as the factory default setting. • When shown with a raised dot (•): the current setting is different from the factory default setting. <i>See step 2 of the operating procedure in “Changing the Settings of Enhanced Items” on page 78.</i>
An asterisk in a complete list of settings <i>See step 6 of the foregoing operating procedure.</i>	Factory default setting.

Displaying Enhanced Items

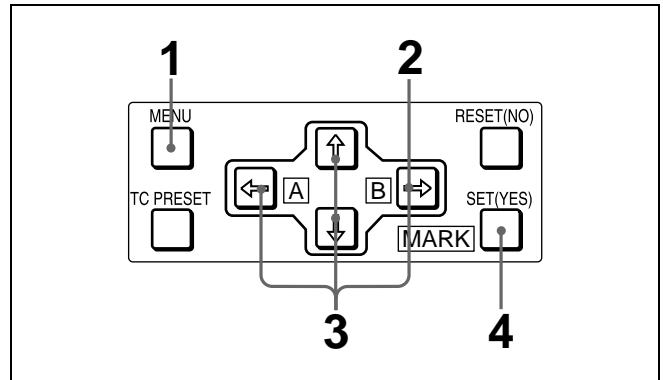
The factory default setting is not to display enhanced items.

To display enhanced items, set the MENU GRADE menu item (*see page 73*) to ENHANCED, following the procedure in the previous section “Changing the Settings of Basic Items.” (In step 3, first select “MENU GRADE,” and next select “ENHANCED,” then press the SET (YES) button to save the setting in memory.)

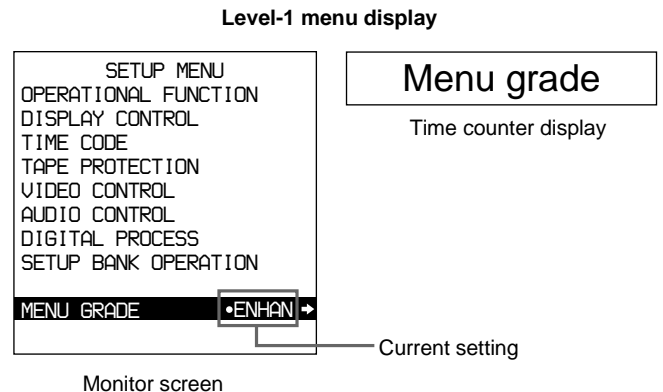
With this done, when you press the MENU button and the ⇒ button to display the setup menu, all basic and enhanced items in the menu level 1 appear.

Changing the Settings of Enhanced Items

To change the settings of enhanced items, first carry out the procedure in the previous section “Displaying Enhanced Items,” then proceed as follows.



- 1 Press the MENU button on the menu control panel.
The menu selection level display appears on the monitor.
- 2 With “SETUP MENU” selected, press the ⇒ button.
This displays all basic and enhanced items on menu level 1.



- 3** Follow the same procedure as in steps **3** to **8** of the procedure in the section “*Changing the Settings of Basic Items*” on page 76 using the arrow buttons to select an item and change its setting.
- 4** When you have completed the settings, press the SET (YES) button.

The message “NOW SAVING...” appears on the monitor screen, and “Saving...” appears in the time counter display, while the new settings are saved in memory. When the saving operation is completed, the monitor screen and time counter display return to their normal indications.

- 4** Press the SET (YES) button.

The message “NOW SAVING...” appears on the monitor screen, and “Saving...” appears in the time counter display, while the settings of all items are returned to their factory default settings. These factory default settings are saved in memory.

Note

If you power off the unit while settings are being saved, settings may not be correctly returned to their factory default settings. Wait until the saving is completed before powering off the unit.

To abandon the resetting operation

Instead of pressing the SET (YES) button, press the RESET (NO) button. The display returns to menu level 1, leaving the settings unchanged.

Returning Menu Settings to Their Factory Default Settings

After making menu setting changes, to return settings to their factory default settings (setting initialization), use the following procedure.

To return a particular setting to its factory default setting

In the display for changing the target setting, press the RESET (NO) button. Carry out the procedure in the section “*Changing the Settings of Basic Items*” on page 76 up to step **6**, then with the current setting displayed (in the example, if the setting has been changed it will be “100%” or “50%”), press the RESET (NO) button. The setting returns to its factory default setting of “75%.”

To return all settings to their factory default settings

Use the following procedure.

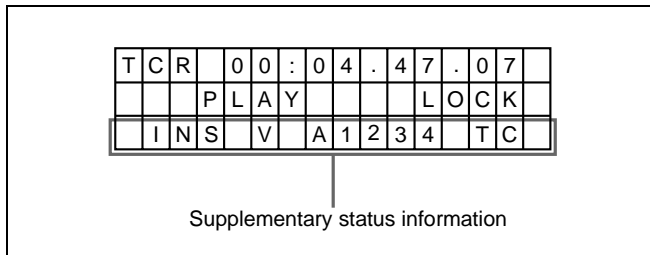
- 1** Press the MENU button on the menu control panel to display the menu selection.
- 2** Press the ⇨ button to display level 1 of the setup menu.
- 3** Press the RESET (NO) button.

A message appears, to confirm whether or not you wish to return all settings to their factory default settings.

Monitor screen message	“INITIALIZE ALL ITEMS TO FACTORY PRESET VALUES?”
Message in the time counter display	“Init setup?”

Displaying Supplementary Status Information

When you set the SUB STATUS menu item (see page 65) to other than OFF, you can view supplementary status information on the monitor screen below the operating mode display area.



The following items of supplementary status information are displayed depending on the setting of the SUB STATUS menu item.

Setting of SUB STATUS menu item	Items of supplementary information displayed
EDIT PRESET	Editing mode settings made on the editing control unit
TC MODE	Operating mode of the internal time code generator
REMAIN	Remaining capacity of the tape
AUDIO MIXING	Setting for input audio mixing
ALL	All of the above items

The following tables show the on-screen indications of supplementary information and their meaning. In each table, the indications given in brackets such as [ASM] are the indications displayed when the SUB STATUS menu item is set to ALL.

For the display format when ALL is selected, see page 81.

When the SUB STATUS menu item is set to EDIT PRESET:

On-screen indication	Meaning
ASM [ASM]	Assemble editing mode
INS V A1234 TC [V1234T]	INS: Insert editing mode V A1234 TC: Channels or signals selected for insert editing V: Video A1234: Audio 1, 2, 3, 4 TC: Time code

When the SUB STATUS menu item is set to TC MODE:

On-screen indication	Meaning
INT PRESET FREE [IP F]	The internal time code generator is operating in FREE RUN mode.
INT PRESET REC [IP R]	The internal time code generator is operating in REC RUN mode.
INT REGEN-T&U [IRTU]	The internal time code generator is in synchronization with the playback time code (LTC) read from tape.
EXT LTC-T&U [ELTU]	The internal time code generator is in synchronization with the external time code (LTC) input to the unit and is generating the same time code value and user bit value as those of the external time code (regeneration).
EXT VITC-T&U [EVTU]	The internal time code generator is in synchronization with VITC present in the external video signal input to the unit and is generating the same time code value and user bit value as those of the external time code (regeneration).
EXT QSDI-T&U [EQTU]	The internal time code generator is in synchronization with the external time code input to the unit via SDTI (QSDI) interface and is generating the same time code value and user bit value as those of the external time code (regeneration).
EXT QSDI.V-T&U [EQTU]	The internal time code generator is in synchronization with the external VITC input to the unit via SDTI (QSDI) interface and is generating the same time code value and user bit value as those of the external time code (regeneration).
EXT DVIN-T&U [EDTU]	The internal time code generator is in synchronization with the external time code input to the unit via i.LINK (DV IN) interface and is generating the same time code value and user bit value as those of the external time code (regeneration).
EXT DVIN.V-T&U [EDTU]	The internal time code generator is in synchronization with the external VITC input to the unit via i.LINK (DV IN) interface and is generating the same time code value and user bit value as those of the external time code (regeneration).

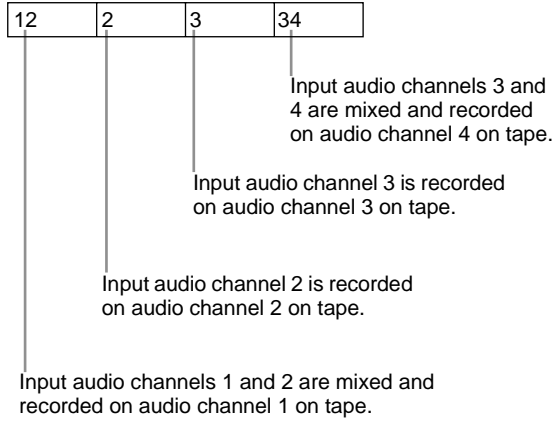
When the SUB STATUS menu item is set to REMAIN:

On-screen indication	Meaning
REMAIN 184 min	Remaining capacity of the tape in minutes. When the remaining capacity has not been detected, "REMAIN --- min" appears.

When the SUB STATUS menu item is set to AUDIO MIXING:

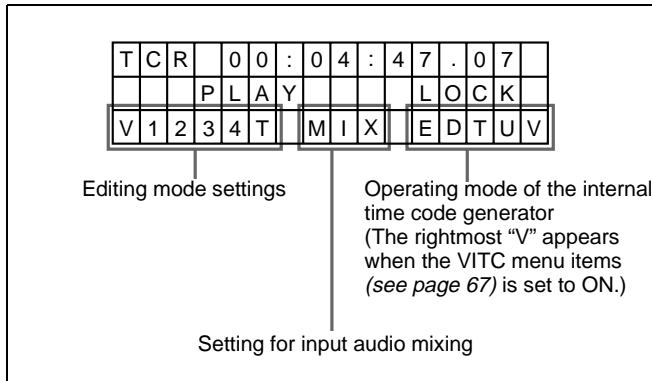
On-screen indication	Meaning
1234 [MIX]	Input audio channels selected for mixing 1234: Input audio channels 1, 2, 3 and 4

Example display:



Display format of supplementary status information when the SUB STATUS menu item is set to ALL

All items of supplementary status information are displayed in the order shown below.





Connections for a Digital Non-Linear Editing System

This unit can be connected to an ES-7 EditStation to configure a digital non-linear editing system.

If you use the SDTI (QSDI) interface with the optional DSBK-1802 board installed in the unit, you can transfer video, audio, time code, and other compressed data between this unit and the ES-7.

The unit supports ClipLink functions, enabling index pictures recorded on tape and ClipLink log data stored in cassette memory to be transferred to the ES-7 in an instant.

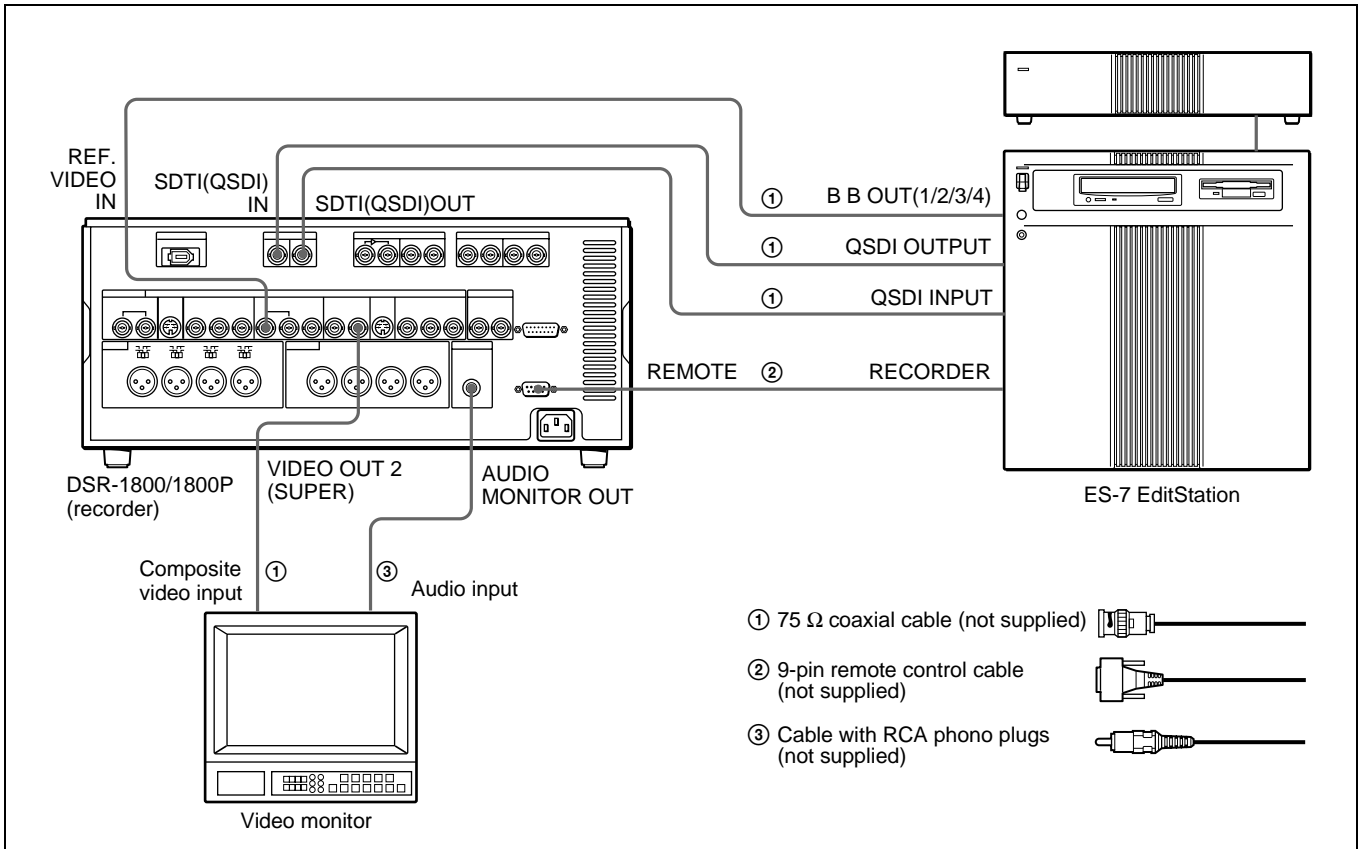
For a general description of ClipLink functions, see the appendix “ClipLink Guide” (page 110).

The following figure shows a connection diagram for a non-linear editing system in which this unit serves as the recorder.

For connections of the ES-7 and its peripheral devices such as the ESBK-7011 Control Panel, the ESBK-7045 Disk Unit, etc., refer to your ES-7 Operating Instructions.

Note

The example connections shown in this chapter assume that DSR-1600/1600P and DSR-1800/1800P units have the optional DSBK-1801, DSBK-1802, and DSBK-1803 boards installed as required.



Settings on the DSR-1800/1800P

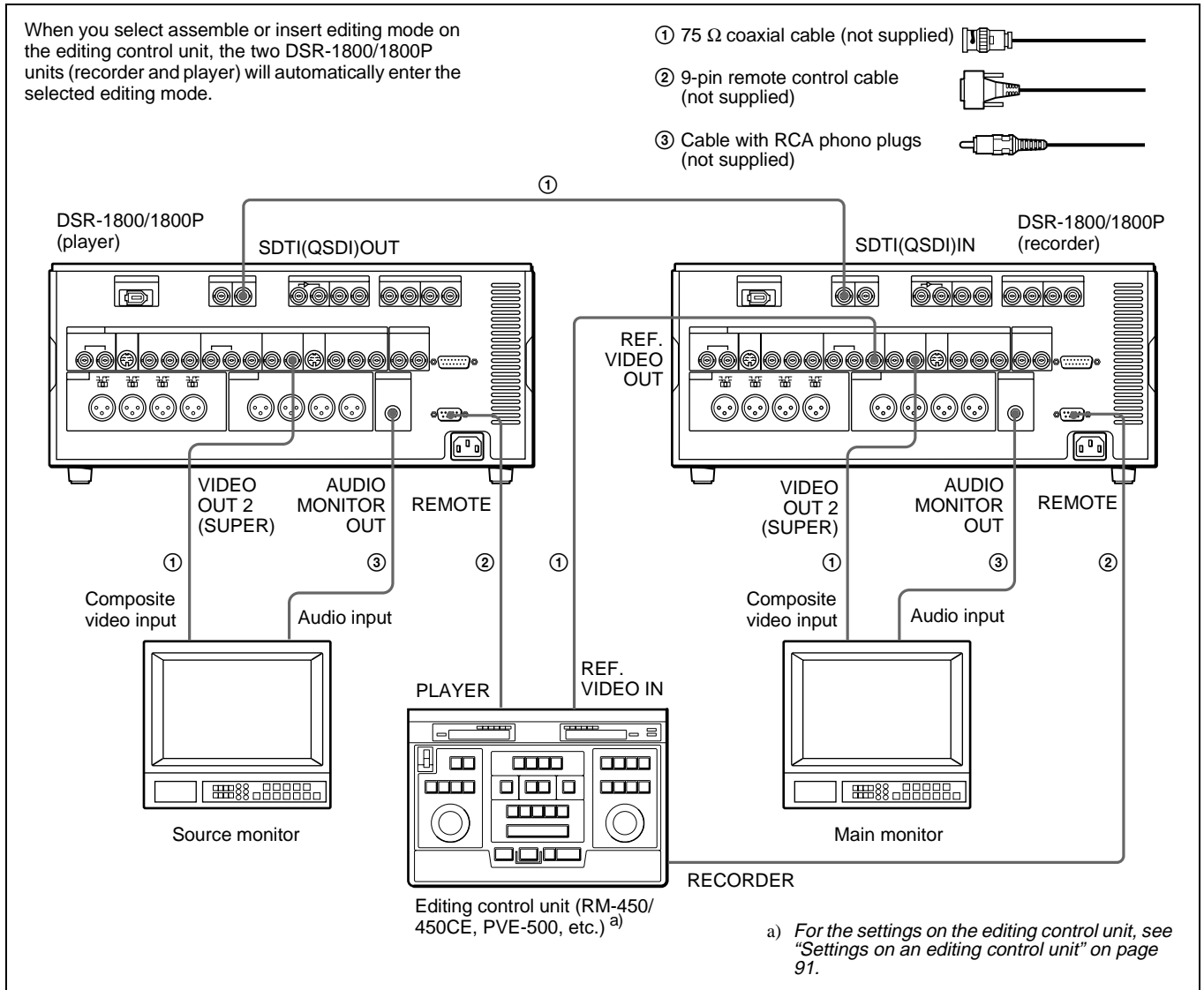
Button	Setting
REMOTE	On (lit)

For details of video/audio input and audio mode settings, see “Settings for Recording” on page 31.

Connections for a Cut Editing System

The following figure shows a cut editing system configuration that includes two DSR-1800/1800P units to serve as the player and recorder.

When using a VCR other than the DSR-1800/1800P, refer to its instruction manual.



Settings on the DSR-1800/1800Ps (recorder and player)

Button	Recorder	Player
REMOTE	On (lit)	On (lit)
9PIN	On (lit)	On (lit)

For details of the video/audio input and audio mode settings for the recorder, see "Settings for Recording" on page 31.

About reference video signals

In order to provide stable video and audio signals for analog editing, it is necessary for the built-in time base corrector (TBC) to operate correctly. To ensure this, input a reference video signal synchronized with the video signal to the REF. VIDEO IN connector.

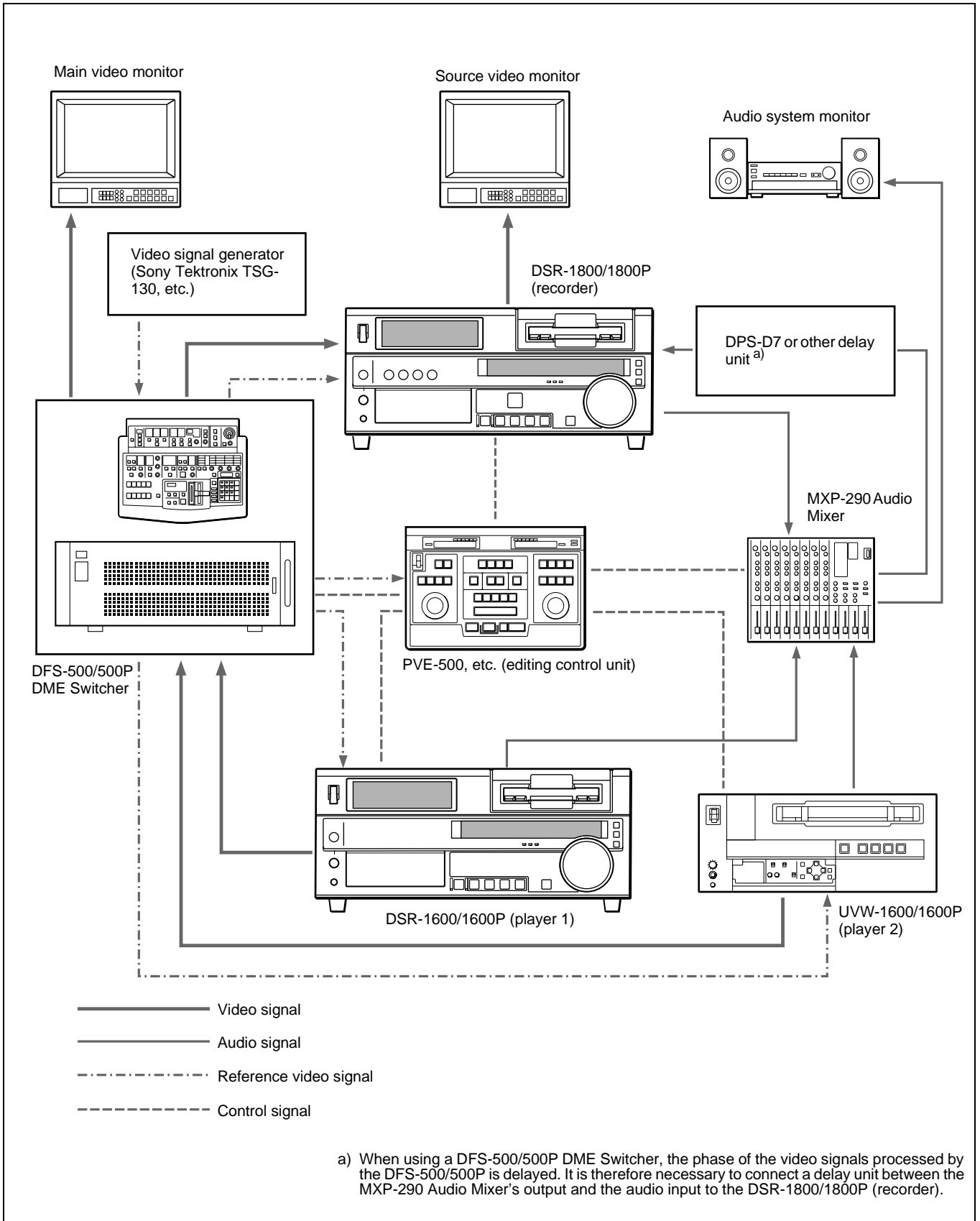
Connections for an A/B Roll Editing System

The following is an example configuration of A/B roll editing system using the DSR-1800/1800P.

In this configuration, the recorder is a DSR-1800/1800P unit, player 1 is a DSR-1600/1600P unit, and player 2 is an analog Betacam UVW-1600/1600P Videocassette Player unit. To create a final tape (a tape that contains a completely packaged program) in Betacam format, use a Betacam VCR such as the UVW-1800/1800P as the recorder.

The purpose of the following figure is to clearly indicate the flow of signals among the component devices in this system. The specific connections and settings are described beginning on *page 88*.

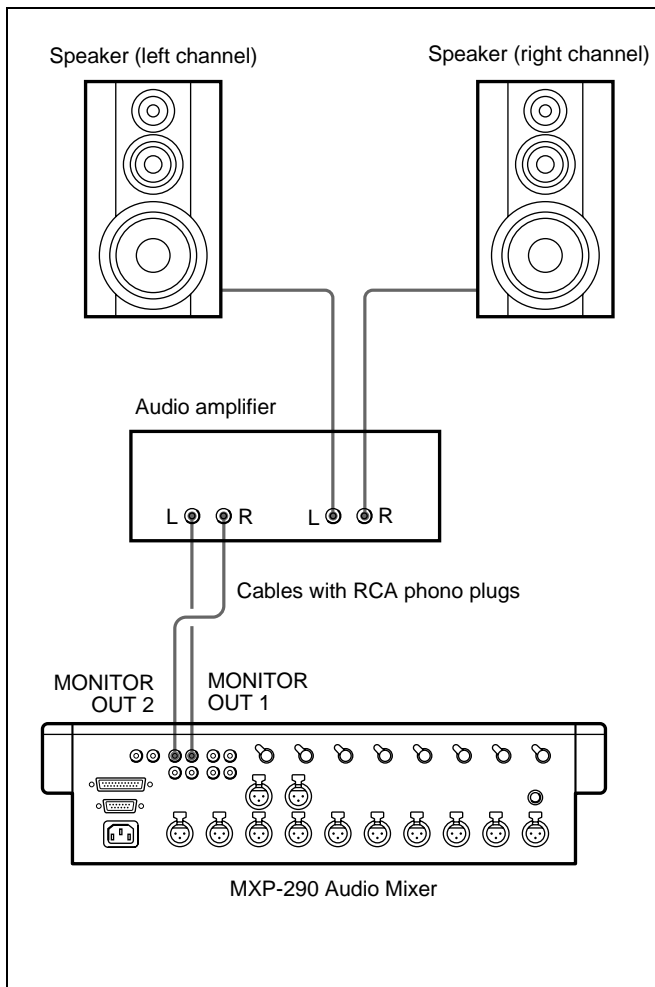




Audio monitor system connections

The following shows an example of audio monitor system connections.

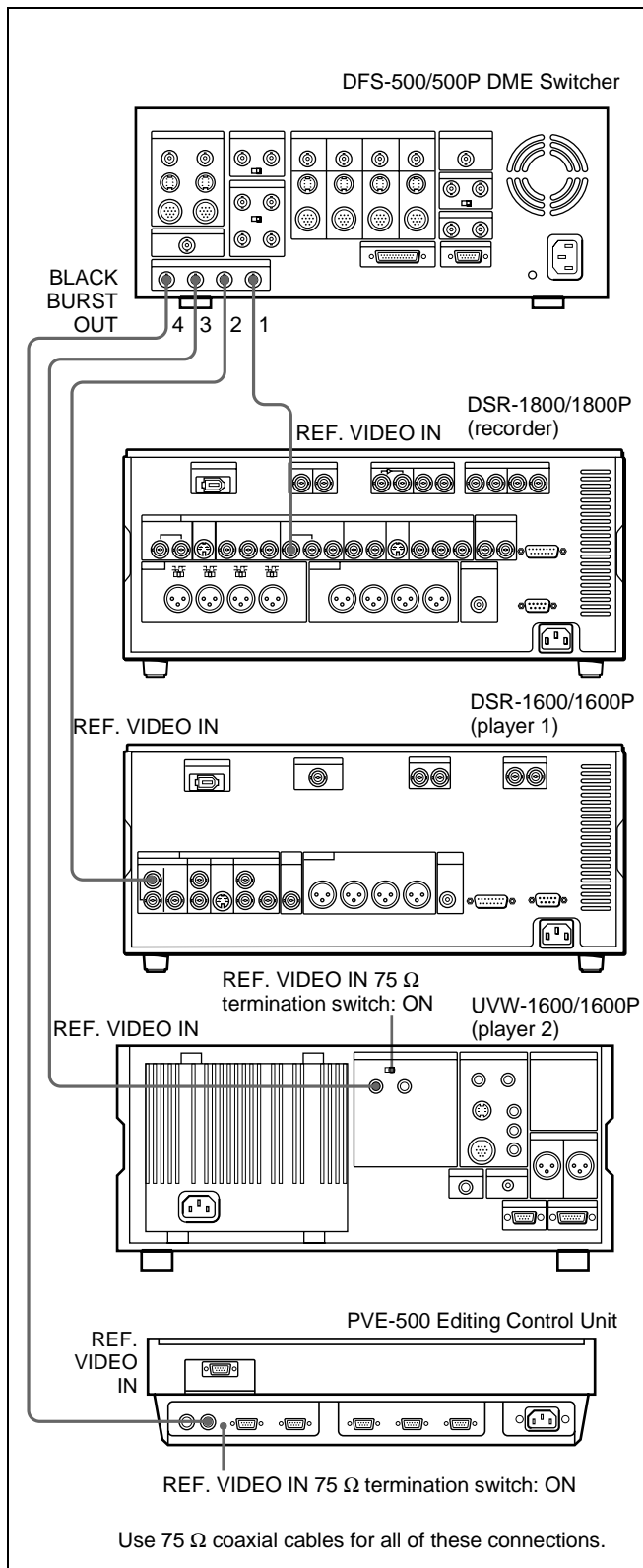
For details of these connections, refer to the instruction manual for each connected device.



Reference video signal connection

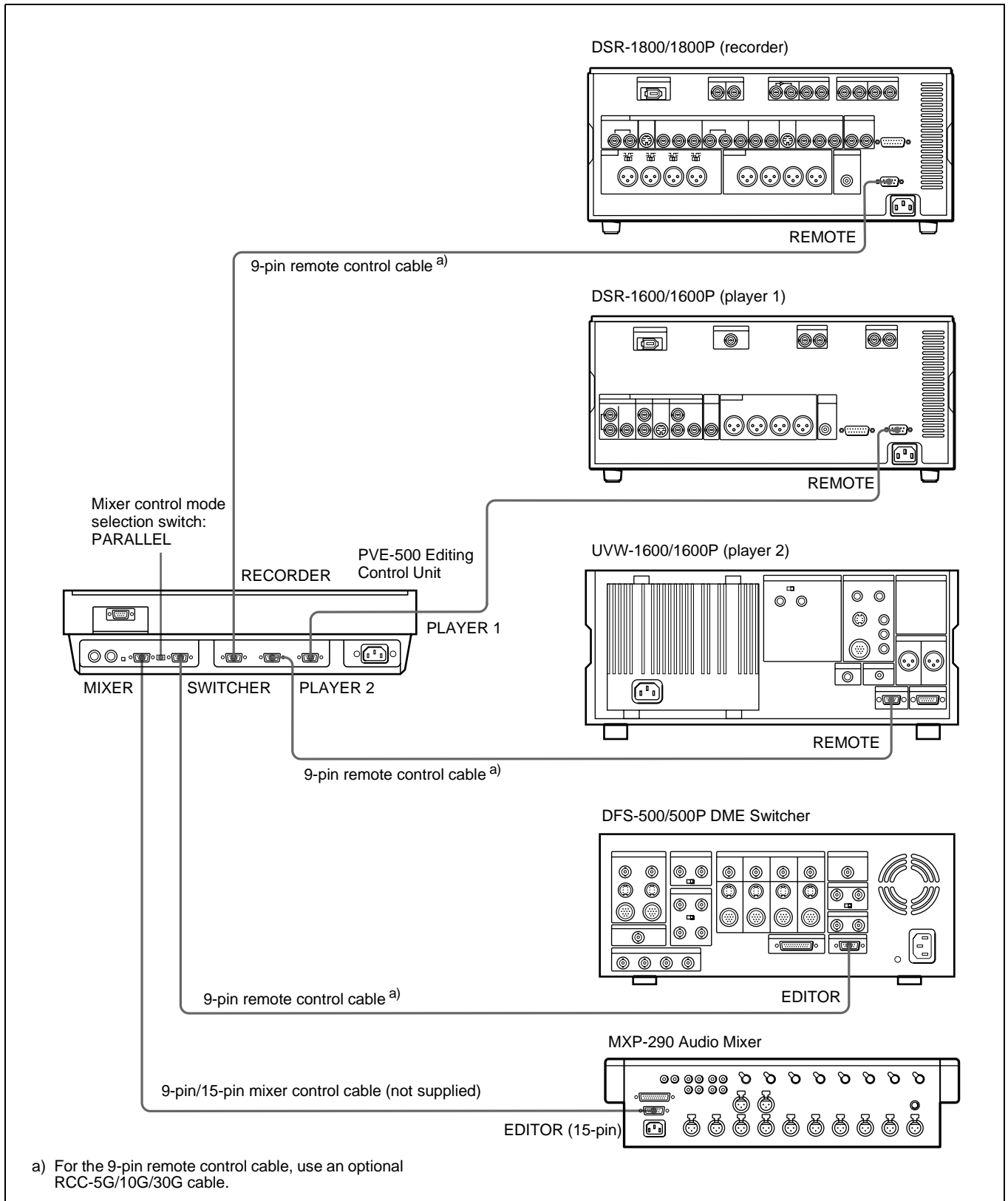
When you perform recording, be sure to input a reference video signal.

For details of reference video signals, see "About reference video signals" on page 85.



Control signal connections

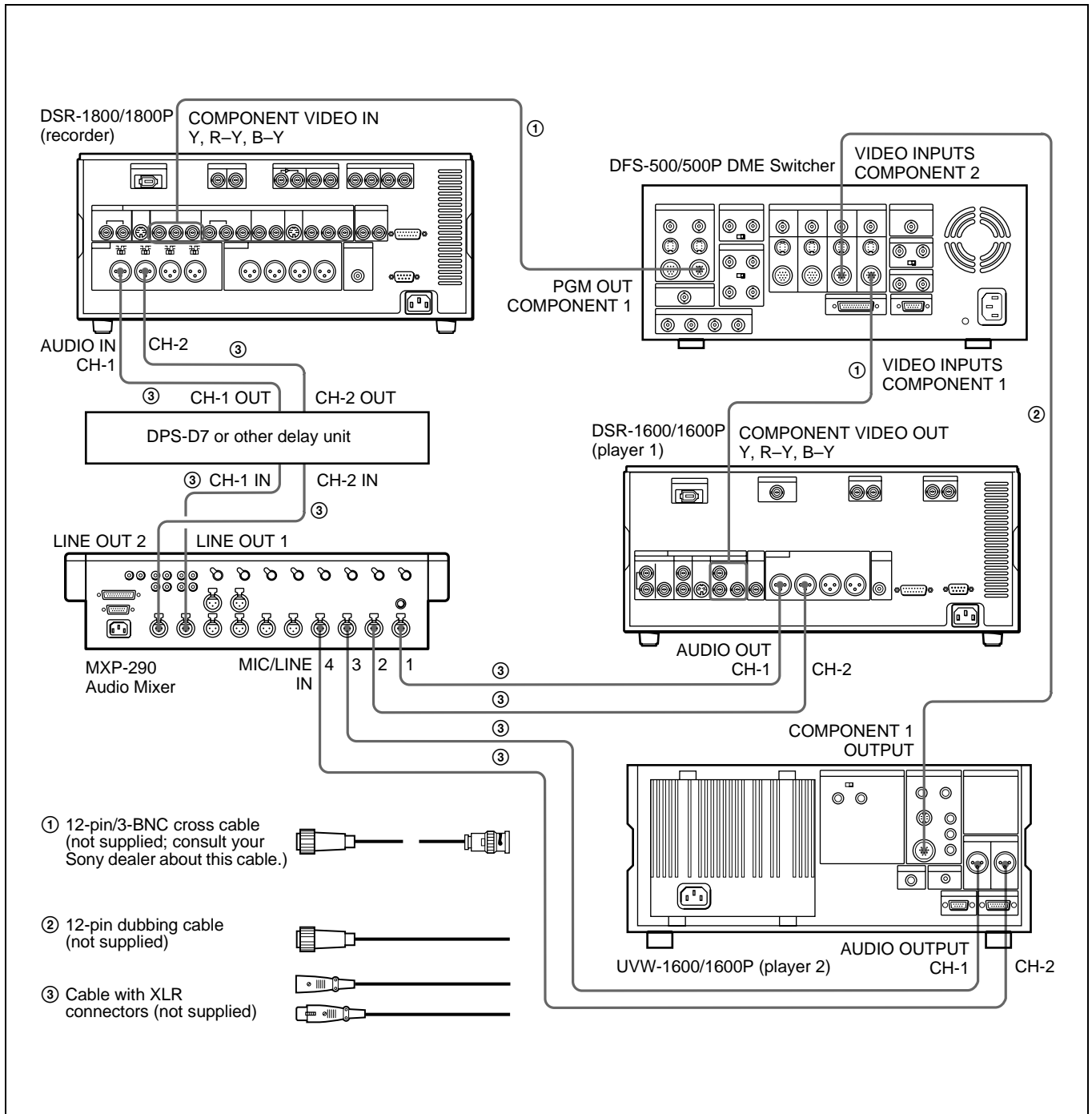
The following shows an example of control signal connections to enable the editing control unit to control all other A/B roll editing system devices.



Video/audio signal connections

The following shows an example of video/audio signal connections in an A/B roll editing system.

In this example, analog component signals are used as the video signals and XLR 3-pin connectors are used as audio input/output connectors.



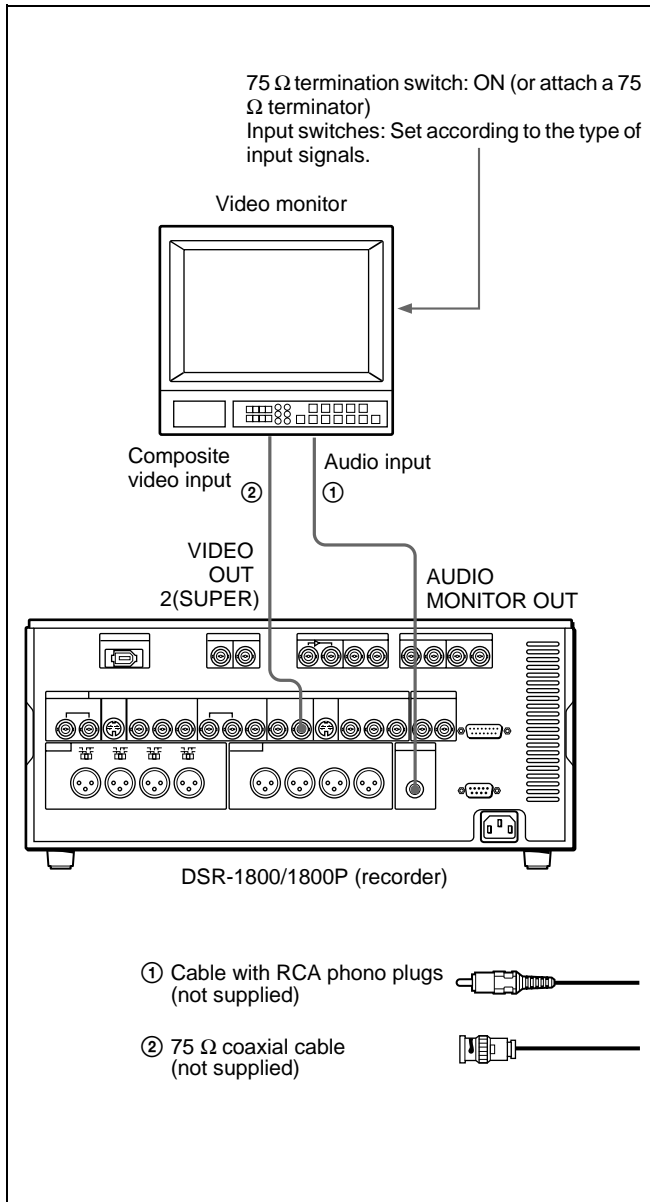
Settings on the DSR-1800/1800P (recorder)

Switch/menu	Setting
AUDIO IN LEVEL/600 Ω switches	HIGH-ON
LEVEL SELECT menu item	Normally +4 dBm (see page 71)

For details of the video/audio input and audio mode settings, see “Settings for Recording” on page 31.

Connection of a video monitor

Set up the following connections to enable monitoring of video and audio signals on a video monitor. In addition to the video and audio signals, you can have time data, the operation mode of the unit, alarm messages, and other information displayed as text on the monitor screen by setting the CHARA. DISPLAY menu item (see page 65) to ON (factory default setting).



Settings on an editing control unit

When connecting an editing control unit, make the settings as follows, according to the model.

PVE-500

No settings are required.

BVE-600/900/910/2000 (NTSC model) or FXE-100/120

Set the VCR constants as follows.

1	2	3	4	5	6	7	8	9	10	11	12	13	14	15
80	15	00	96	05	05	03	80	0A	08	FE	00	80	5A	FF

BVE-600/900/910/2000 (PAL model) or FXE-100P/120P

Set the VCR constants as follows.

1	2	3	4	5	6	7	8	9	10	11	12	13	14	15
81	15	00	7D	05	05	02	80	0A	07	FE	00	80	4C	FF

RM-450/RM-450CE

Set the DIP switches as follows.

• Left switches

7	6	5	4	3	2	1	0
OFF	-	-	OFF	-	-	-	-

• Right switches (RM-450)

7	6	5	4	3	2	1	0
OFF	-	OFF	ON	OFF	OFF	ON	ON

• Right switches (RM-450CE)

7	6	5	4	3	2	1	0
ON	-	OFF	ON	OFF	OFF	ON	ON

BVE-800

Set the DIP switches as follows.

• SW2

1	2	3	4	5	6	7	8
ON	OFF	ON	ON	-	ON	ON	-

• SW3 (NTSC model)

1	2	3	4	5	6	7	8
ON	ON	ON	OFF	-	ON	OFF	OFF

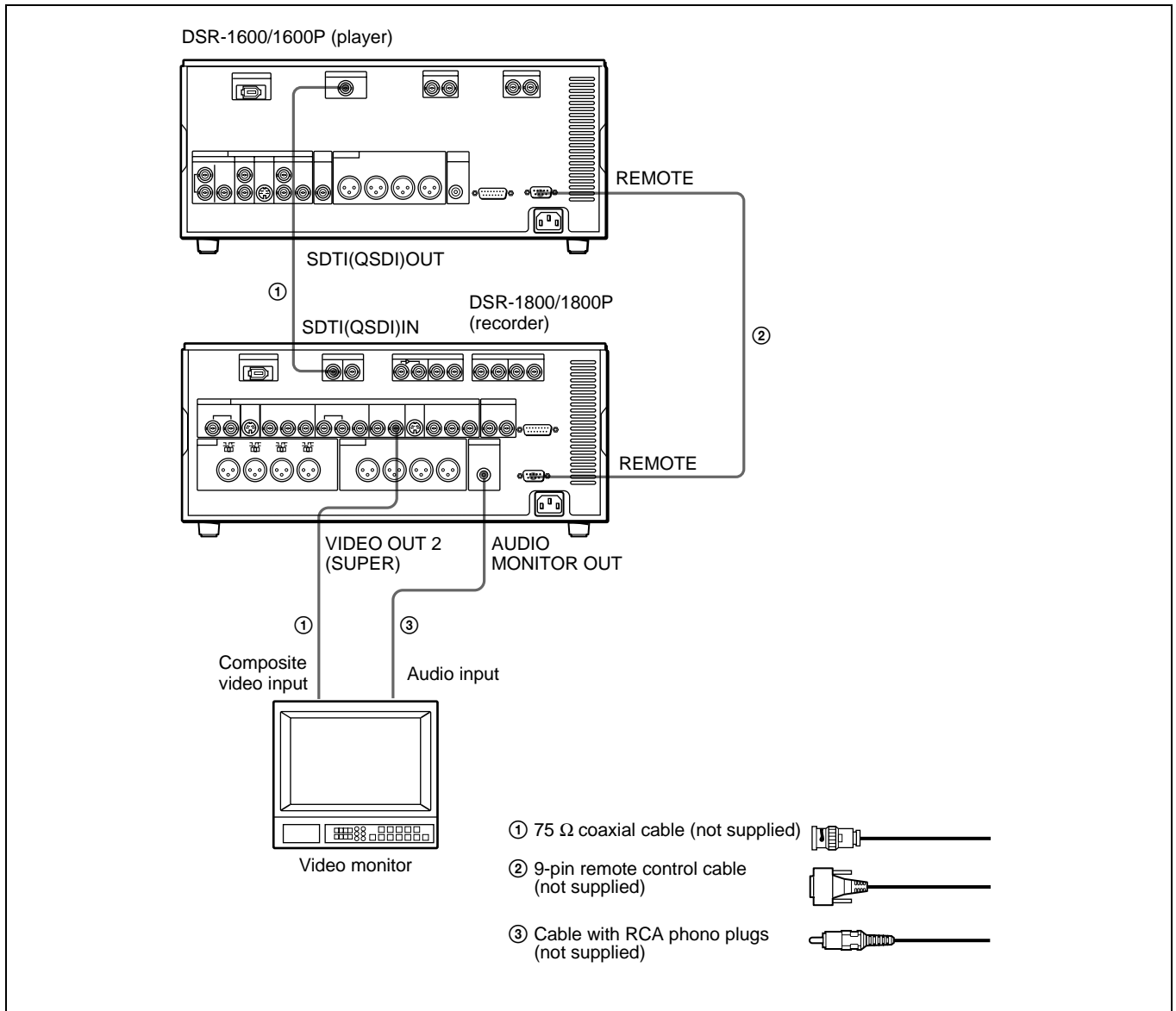
• SW3 (PAL model)

1	2	3	4	5	6	7	8
OFF	OFF	OFF	ON	-	ON	OFF	OFF

Connections for SDTI (QSDI) Dubbing

The following shows an example of connections for digitally dubbing SDTI (QSDI) signals (see page 56), with

the DSR-1800/1800P used as the recorder and a DSR-1600/1600P unit as the player.



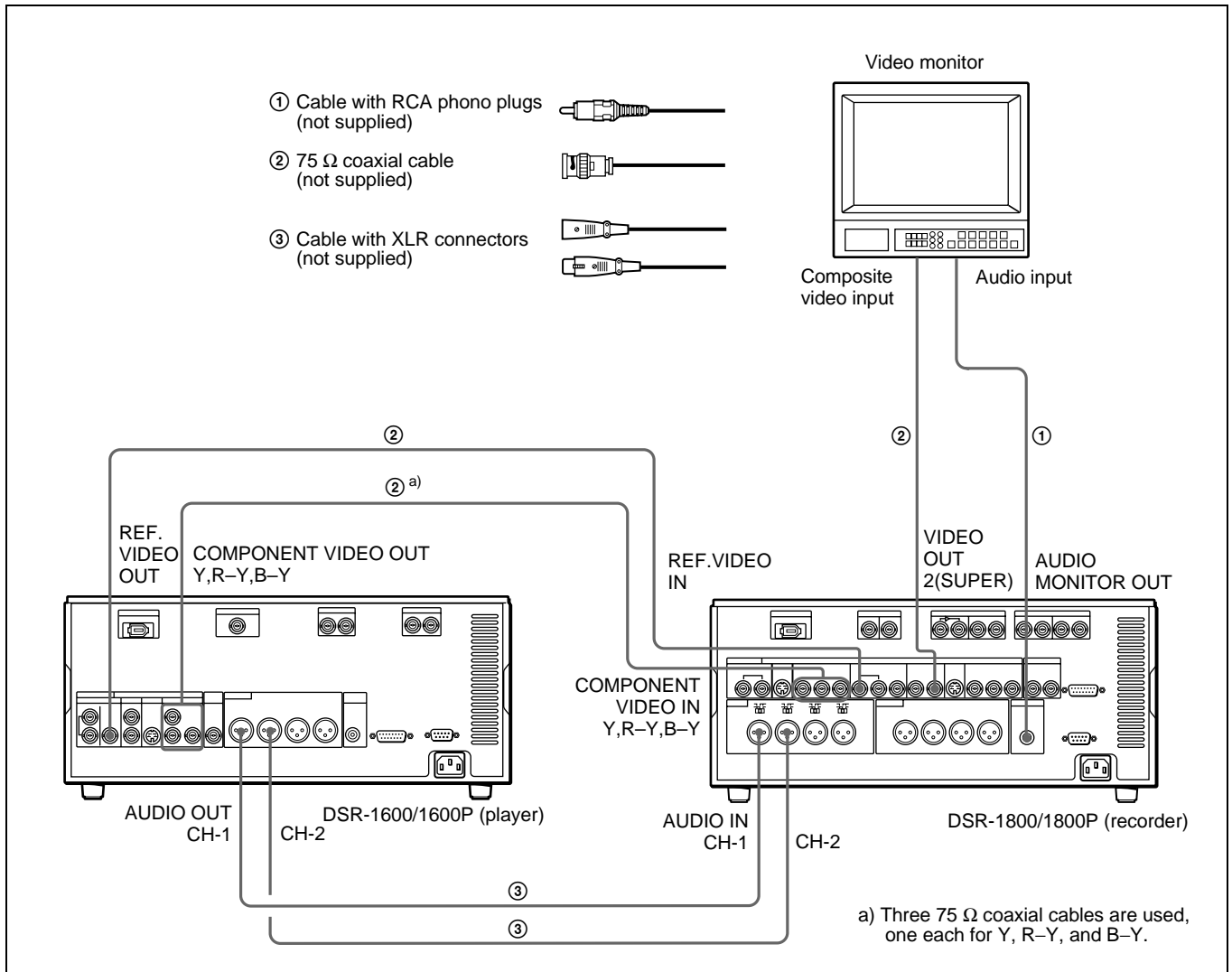
Settings on the DSR-1800/1800P (recorder) and DSR-1600/1600P (player)

Model	Switch/button	Setting
DSR-1800/1800P (recorder)	REMOTE button	Off (unlit)
	9PIN button	On (lit)
DSR-1600/1600P (player)	REMOTE button	On (lit)
	9PIN button	On (lit)

Connections for Analog Recording

The following shows connections for a system in which analog playback signals from another recorder or player are recorded on a DSR-1800/1800P. In this system, the

video signals are analog component signals and the audio signals are recorded from audio channels 1 and 2.



Settings on the DSR-1800/1800P (recorder)

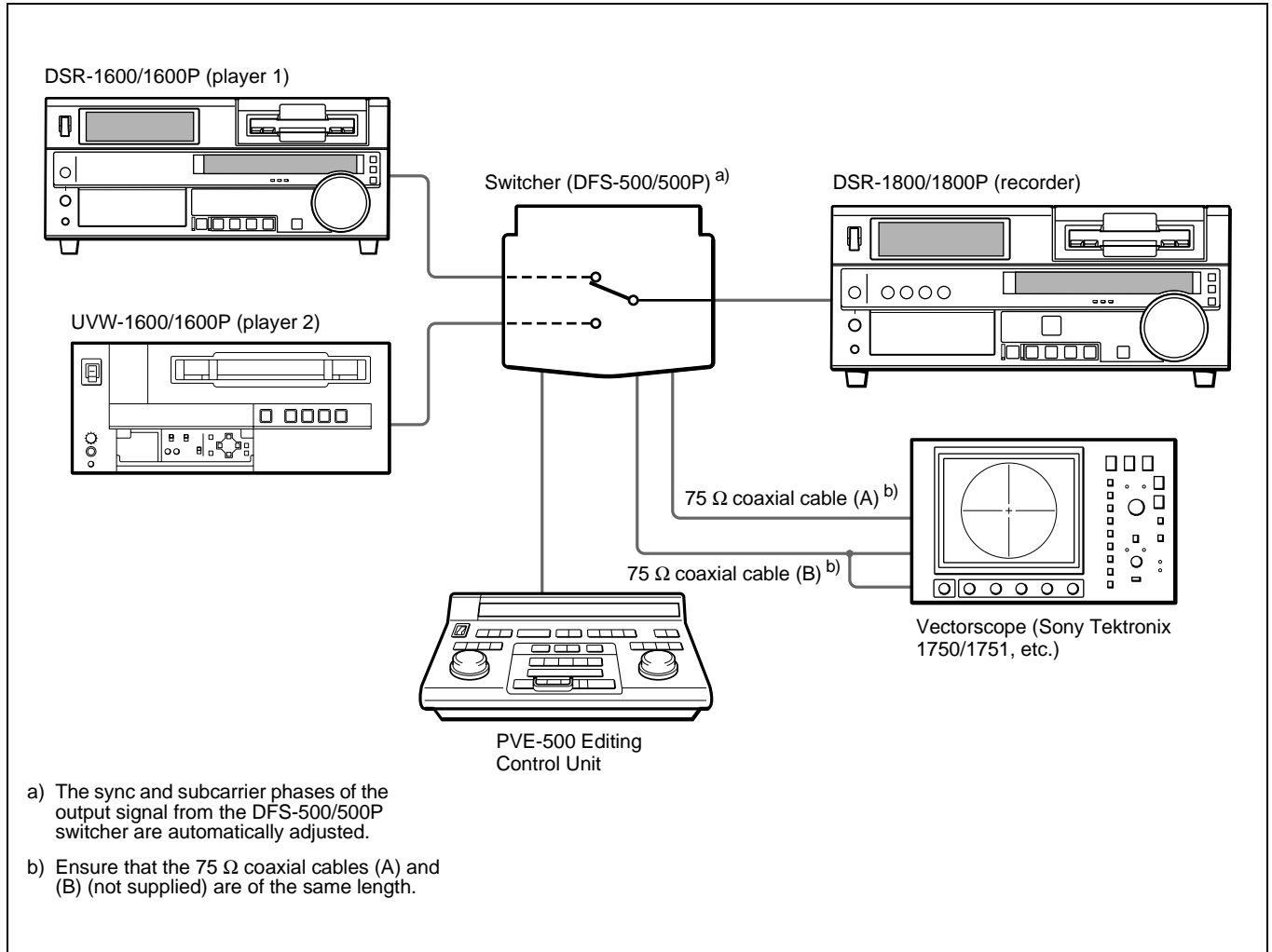
Switch/menu/input/audio mode ^{a)}	Setting
AUDIO IN LEVEL/600 Ω switches	HIGH-ON
LEVEL SELECT menu item	Normally +4 dBm (see page 71)
REMOTE button	Off (unlit)
Video input	Component
Audio input	Analog
Audio mode	2 channel/48 kHz

a) For details of the video/audio input and audio mode settings, see "Settings for Recording" on page 31.

Adjusting the Sync and Subcarrier Phases

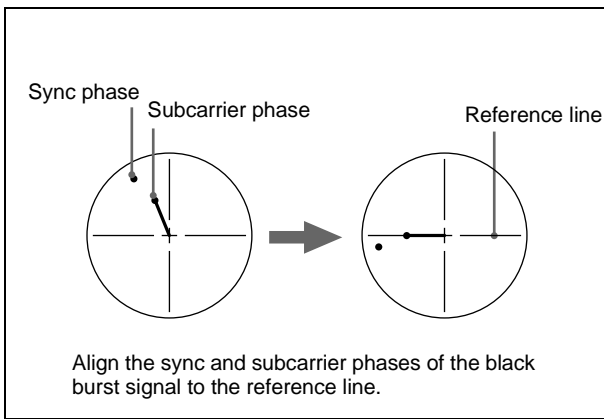
When using two or more players, as in an A/B roll editing system, it is necessary to synchronize the sync and subcarrier (for composite signals) phases of the signals to be edited. If they are not synchronized, picture instabilities or color break-up may occur at edit points.

After configuring the editing system, use a vectorscope to adjust the sync and subcarrier phases of the recorder and players. Subcarrier phase adjustment is necessary when using composite signals and Y/C signals.

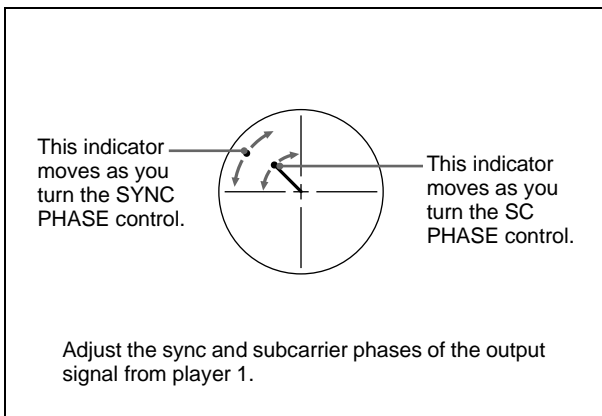


Performing a phase adjustment operation

- 1 Press the SCH button on the vectorscope.
The vectorscope switches to SCH mode.
- 2 Press the B channel button on the vectorscope.
This displays the black burst signal from the switcher.
- 3 Press the EXT button on the vectorscope.
This switches the vectorscope to external synchronization mode.
- 4 Adjust the phase synchronization control on the vectorscope so that the sync and subcarrier phases are close to the reference line.



- 5 Output the player 1 signal from the PVE-500.
- 6 Press the A channel button on the vectorscope.
This displays the sync and subcarrier phases (composite signals only) of the signal from player 1.
- 7 On player 1, adjust the SYNC PHASE and SC PHASE controls on the menu control panel, using a Phillips screwdriver, so that the output from player 1 on channel A is in correct phase alignment with the black burst signal on channel B.



Note

When component signals are used the subcarrier phase indicator does not appear.

- 8 Output the player 2 signal from the PVE-500, and repeat steps 6 and 7 to adjust the sync and subcarrier phases of the output from player 2.



Maintenance and Troubleshooting

Chapter

6

Maintenance

Condensation

If you move the unit suddenly from a cold to a warm location, or if you use it in a very humid place, moisture from the air may condense on the head drum. This is called condensation, and if a tape is run in this state, the tape may stick to the drum and can be easily damaged. To lessen the risk of this occurring, this unit is equipped with a condensation detection system.

If condensation occurs while the unit is operating:

The alarm message “MOISTURE HAS BEEN DETECTED.” appears on the monitor screen, and the alarm message “HUMID!” in the time counter display. At the same time the unit ejects the cassette automatically. If this happens, leave the unit powered on and wait until the alarm messages disappear.

If the condensation alarm message appears immediately after powering on:

Leave the unit powered on and wait until the alarm message disappears. You cannot load a cassette into the unit while the alarm message is being displayed. Once the alarm message disappears, the unit is ready for use.

Regular Checks

Digital hours meter

The digital hours meter keeps cumulative counts of the total operating time, the head drum rotation time, the tape transport operating time, and the number of threading/unthreading operations. These counts can be displayed on the monitor screen and in the time counter display of this unit. Use them as guidelines for scheduling maintenance. In general, consult your Sony dealer about necessary periodic maintenance checks.

Digital hours meter display modes

The digital hours meter has the following four display modes.

- **T1 (OPERATION) mode**
The cumulative total hours during which the unit is powered on is displayed in 10-hour increments.
- **T2 (DRUM ROTATION) mode**
The cumulative total hours of drum rotation with tape threaded is displayed in 10-hour increments.
- **T3 (TAPE RUNNING) mode**
The cumulative total hours of tape transport operation for fast forward, rewind, playback, and search (except in still search mode) is displayed in 10-hour increments.
- **CT (THREADING) mode**
The cumulative number of tape threading/unthreading operation pairs is displayed in 10-operation pair increments.

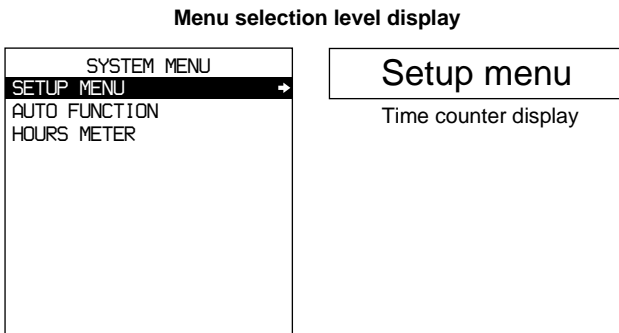
For all modes except T1 (OPERATION), there are two types of count: a “trip” count, which is resettable, and the cumulative total from manufacture, which is unresettable.

Displaying the digital hours meter

Use the following procedure.

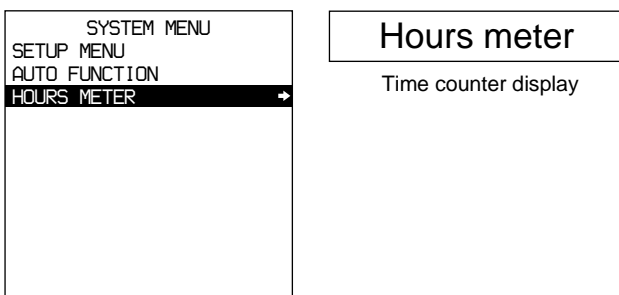
- 1 Press the MENU button on the menu control panel.

The menu selection level display appears on the monitor screen and in the time counter display.



Monitor screen

- 2 Press the \downarrow button to select "HOURS METER."



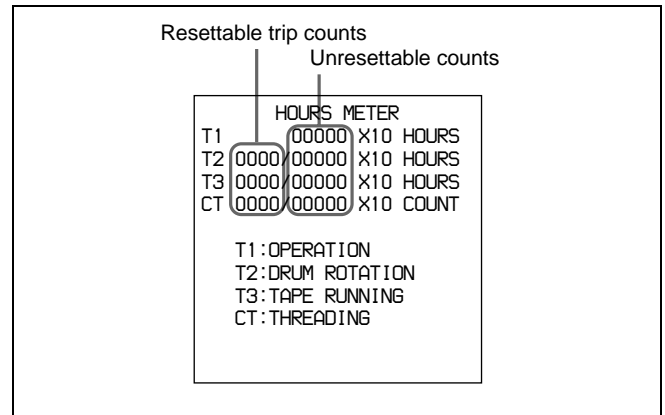
Monitor screen

- 3 Press the \Rightarrow button.

The cumulative counts by the digital hours meter are indicated on the monitor screen and in the time counter display.

Digital hours meter indications on the monitor screen

All four counts (T1, T2, T3, and CT) are indicated on the monitor screen.



The four-digit value to the left of the slash (/) is the resettable trip count, and the right value is the cumulative total from manufacture.

Digital hours meter indications in the time counter display

One of the four indications appears in the time counter display at a time. Use the \uparrow and \downarrow buttons on the menu control panel to change the item displayed.

Initially, only the trip value appears. Hold down the \Rightarrow button to display also the cumulative total from manufacture, which will appear to the right of the trip value and the slash (/).

The following illustrates the digital hours meter indications in the time counter display in all four display modes. The right-hand indication for each display mode is the indication you can view while holding down the \Rightarrow button on the menu control panel.

T1 (OPERATION) mode:



T2 (DRUM ROTATION) mode:



T3 (TAPE RUNNING) mode:



CT (THREADING) mode:



To end the digital hours meter display

Press the MENU button on the menu control panel.

To reset the trip values

About this operation, consult your Sony dealer.

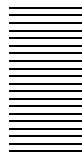
Head Cleaning

Always use the DVM12CL (mini size) or DV12CL (standard size) Cleaning Cassette to clean the video and audio heads. You can run the cleaning cassette for 10 seconds per cleaning operation. Follow the instructions for the cleaning cassette, as inappropriate use of the cleaning cassette can damage the heads.

To clean the heads

Insert the cleaning cassette. This automatically starts cleaning. You cannot operate any tape transport control buttons other than the EJECT button during the cleaning operation.

After about 10 seconds, the cleaning cassette will be automatically ejected.



Troubleshooting

If an alarm message appears on the monitor screen, or if the unit appears to be malfunctioning, please check the following before contacting your Sony dealer.

Tape problems		
Symptom	Cause	Remedy
Recording is not possible.	The cassette's REC/SAVE switch is set to SAVE. ^{a)}	Set the REC/SAVE switch to REC, or use another cassette.
The unit's tape transport control buttons (PLAY, F FWD, REW, etc.) do not work.	The REMOTE button is lit and the LOCAL ENABLE menu item is set to STOP & EJECT or ALL DISABLE. ^{a)}	Press the REMOTE button to turn it off, or change the setting of the LOCAL ENABLE menu item (<i>see page 63</i>) to ALL ENABLE.
	No cassette is loaded. ^{a)}	Insert a cassette (<i>see page 29</i>).
The NOT EDITABLE indicator on the front panel lights up.	The audio recording mode selected on this unit does not coincide with that of the loaded tape. ^{a)}	<ul style="list-style-type: none"> When your current purpose is editing, press the REMOTE button to turn it off and set the unit for the same audio recording mode as with the tape using the REC. MODE menu item (<i>see page 69</i>), then turn on the REMOTE button again. When your current purpose is recording, you can use the tape currently loaded in the unit.
	The recording format of the currently loaded tape is "DV" or "DVCPRO." ^{a)}	Replace the tape with one recorded in the DVCAM format.

a) In these states, an alarm message appears on the monitor screen and in the time counter display.

Time data problems		
Symptom	Cause	Remedy
Cannot freely set the initial time data value.	The TC MODE menu item is set to EXT REGEN. ^{a)}	Change the setting of the TC MODE menu item (<i>see page 66</i>) to INT PRESET.
	CNT is selected as the time data type to be displayed (the COUNTER time data type indicator is lit). ^{a)}	Press the COUNTER SEL button to make the TC or U-BIT time data type indicator light up (the CNT value cannot be set freely).
	The REMOTE button is lit and the LOCAL ENABLE menu item is set to STOP & EJECT or ALL DISABLE. ^{a)}	Press the REMOTE button to turn it off or change the setting of the LOCAL ENABLE menu item (<i>see page 63</i>) to ALL ENABLE.
The tape is running, but the time data is not shown in the time counter display.	The MENU button or TC PRESET button on the menu control panel has been pressed.	Press the button once again to exit the menu control mode, time code preset mode, or digital hours meter display mode. (In either of the menu control mode and time code preset mode, the time data is not shown in the time counter display.)
	The U-BIT time data type indicator is lit.	Press the COUNTER SEL button to make the COUNTER or TC time data type indicator light up.

a) In these states, an alarm message appears on the monitor screen and in the time counter display.

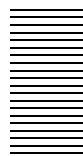
Input problem		
Symptom	Cause	Remedy
It is not possible to record an SDTI (QSDI) signal.	No SDTI signal is input to the unit. ^{a)}	Connect an SDTI signal to the SDTI (QSDI) IN connector.

a) In this state, an alarm message appears on the monitor screen and in the time counter display.

Monitor problems		
Symptom	Cause	Remedy
Data is not superimposed on the monitor screen.	The CHARA. DISPLAY menu item is set to OFF.	Set the CHARA. DISPLAY menu item (<i>see page 65</i>) to ON.
	The monitor is not connected to the VIDEO OUT 2 (SUPER) connector of this unit.	Connect the monitor to the VIDEO OUT 2 (SUPER) connector. (You must make this connection to display any type of text on the monitor.)
The image on the monitor screen is too bright.	The 75 Ω termination switch for video input on the monitor is in the OFF position, or a 75 Ω terminator is not fitted to its video input connector.	Set the 75 Ω termination switch to ON or connect a terminator.
The image on the monitor screen is too dark.	In a video signal loop-through connection of video monitors, 75 Ω termination switches for video input on monitors other than the loop-end monitor are in the ON position.	Set the 75 Ω termination switches to OFF on all monitors other than the loop-end monitor.
The image is too dark when recording a composite video signal.		

Audio problem		
Symptom	Cause	Remedy
The AUDIO INPUT LEVEL control knobs do not work.	The REC LEVEL menu item is set to PRESET.	Set the REC LEVEL menu item (<i>see page 70</i>) to VARIABLE. Note To be able to perform this operation, it is necessary to set the MENU GRADE menu item (<i>see page 73</i>) to ENHANCED.

Editing restriction	
Symptom	Cause
Execution of video editing in insert mode erases subcode data (user bit data, etc.) recorded on tape other than time code data.	This phenomenon cannot be avoided with an editing system using this unit as the recorder.

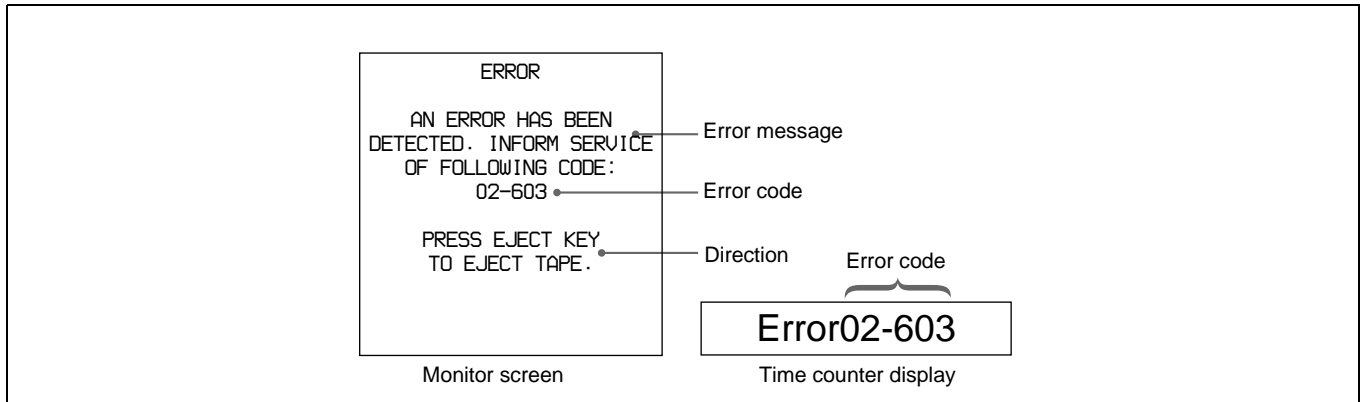


Error Messages

This unit is provided with a self-diagnostic function that detects internal abnormalities. When it detects an abnormality, it outputs an error message to the monitor screen and indicates an error code in the time counter display.

Note

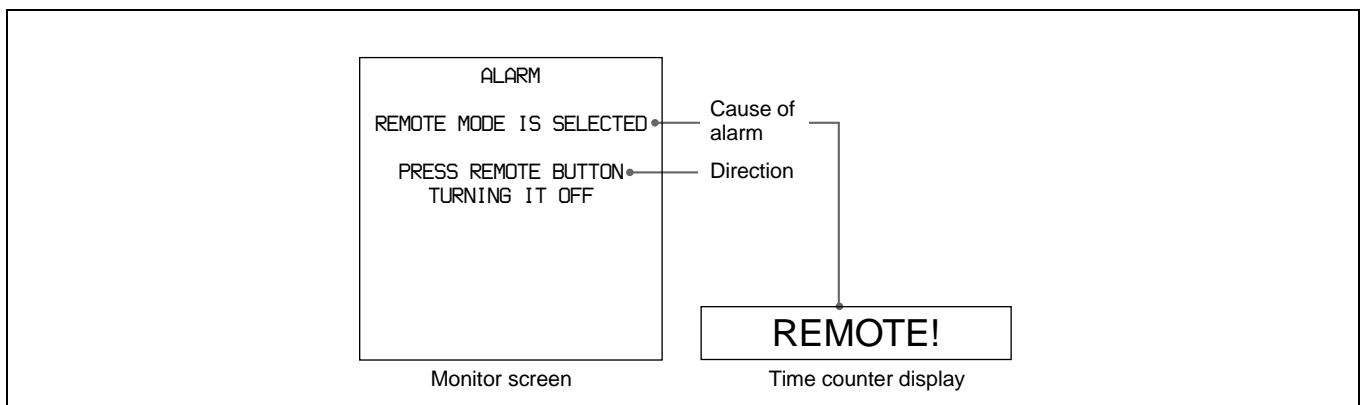
To display error messages on the monitor screen, connect the monitor to the VIDEO OUT 2 (SUPER) connector, and set the CHARA. DISPLAY menu item (*see page 65*) to ON (factory default setting).



If an error message appears, follow the direction indicated on the monitor screen.

Alarm Messages

When operating this unit, the unit may sometimes output alarm messages such as the one shown below to the monitor screen and the time counter display.



If such an alarm message appears, a connection or operation error may have been made, or condensation on heads may have occurred. Follow the direction indicated on the monitor screen.

Note

To display alarm messages on the monitor screen, it is necessary for the monitor to be connected to the VIDEO OUT 2 (SUPER) connector, and set the following menu items to ON.

- CHARA. DISPLAY (*see page 65*)
- ALARM (*see page 66*)

Alarm messages and associated directions

Alarm message on monitor screen (Cause)	Direction	Alarm message in time counter display
A cleaning tape has been inserted.	The tape will automatically be ejected after cleaning is completed.	Cleaning Tp
A non-standard signal is being used for input video.	Use a standard signal.	VIN NON-STD
A non-standard ref. signal is being used for REF. VIDEO.	Use a standard signal.	REF NON-STD
Abnormal settings selected in setup menu.	Correct the setup menu settings. Contact your Sony dealer if this alarm message appears again after making corrections.	ILL. SETUP!
Audio mixing mode cannot be changed during recording.	–	REC mode!
Audio not editable on this tape.	Use a tape recorded in 2-channel/48 kHz or 4-channel/32 kHz mode.	2CH/32kHz! Fs 44.1kHz!
	Use a tape having audio signals recorded in locked mode.	UNLOCK mode
Audio REC mode selection different from audio on tape.	Select the same audio recording mode as that of the tape.	A mode err
Audio REC (recording) mode cannot be changed during recording.	–	REC mode!
Cassette adaptor not usable.	Use a tape without cassette adaptor.	Adaptor!
Counter mode is selected.	Use the COUNTER SEL button to light the TC or U-BIT time data type indicator in the display section.	CNT mode!
Input selection cannot be changed in REC (recording) mode.	–	REC mode!
Input signal does not conform to DVCAM/DV format.	–	Unknown Sig
Input signal is 625/50. (For DSR-1800)	–	625/50 sig! (For DSR-1800)
Input signal is 525/60. (For DSR-1800P)	–	525/60 sig! (For DSR-1800P)
Input video is not detected.	Check the VIDEO display in the input selection/audio mode display section and supply an appropriate video signal.	No INPUT!
Input video signal does not synchronize with REF. VIDEO signal.	Use a reference video signal or connect the recorder REF. VIDEO OUT connector to the player REF. VIDEO IN connector. Note When connecting the recorder REF. VIDEO OUT connector to the player REF. VIDEO IN connector, set the STD/NON-STD menu item (see page 68) to FORCED NON-STD.	ILL. REF!
Moisture has been detected.	Keep the power on and wait until this alarm message disappears.	HUMID!
No cassette in VTR.	Load a cassette.	No Cass.!
Rec inhibit mode is selected.	Set the REC INHIBIT menu item (see page 63) to OFF.	REC INHI.!
Record inhibit plug on the cassette is set to inhibit.	Set the REC/SAVE switch on the cassette to REC.	REC INHI.!
Remote mode is selected.	Turn off the REMOTE button.	REMOTE!

Alarm messages and associated directions

Alarm message on monitor screen (Cause)	Direction	Alarm message in time counter display
Tape cannot be replayed.	Use a tape recorded in 525/60 format. (For DSR-1800)	625/50 Tape (For DSR-1800)
	Use a tape recorded in 625/50 format. (For DSR-1800P)	525/60 Tape (For DSR-1800P)
Tape end has been detected.	Use a new cleaning tape.	Tape end!
Tape not editable.	Use a tape recorded in DVCAM format.	Not DVCAM!
	Use a tape recorded in 525/60 format. (For DSR-1800)	625/50 Tape (For DSR-1800)
	Use a tape recorded in 625/50 format. (For DSR-1800P)	525/60 Tape (For DSR-1800P)
Tape not recordable.	Use a DVCAM/DV ME tape.	REC INHI.!
Tape not usable.	Use a DVCAM/DV/DVCPRO (25M) tape.	ILL. Tape!
TC EXTERNAL is selected.	Set the TC MODE menu item (<i>see page 66</i>) to INT PRESET.	TC EXT!
TCG REGEN mode is selected.	Set the TC MODE menu item (<i>see page 66</i>) to INT PRESET.	REGEN mode!
TCG RUN mode is set to REC RUN.	Set the RUN MODE menu item (<i>see page 66</i>) to FREE RUN.	REC RUN!



Appendixes

Precautions

On safety

- Should any liquid or solid object fall into the cabinet, unplug the unit and have it checked by qualified personnel before operating it further.
- Unplug the unit from the wall outlet if it is not to be used for an extended period of time.
- To disconnect the cord, pull it out by the plug. Never pull the cord itself.

On operation and storage locations

Avoid operation or storage in any of the following places.

- Location subject to extremes of temperature (operating temperature range 5°C to 40°C (41°F to 104°F))
- Location subject to direct sunlight for long periods, or close to heating appliances (Note that the interior of a car left in summer with the windows closed can exceed 50°C (122°F).)
- Damp or dusty places
- Location subject to severe vibrations
- Location near equipment generating strong electromagnetic emissions
- Location near transmitting stations generating strong radio waves

Operate the unit in a horizontal position

This unit is designed to be operated in a horizontal position. Do not operate it on its side, or tilted through an excessive angle (exceeding 20°).

Avoid violent impacts

Dropping the unit, or otherwise imparting a violent shock to it, is likely to cause it to malfunction.

Do not obstruct ventilation openings

To prevent the unit from overheating, do not obstruct ventilation openings, by for example wrapping the unit in a cloth while it is in operation.

On cleaning

If the casing or panel is dirty, wipe it gently with a soft dry cloth. In the event of extreme dirt, use a cloth steeped in a neutral detergent to remove the dirt, then wipe with a dry cloth. Applying alcohol, thinners, insecticides, or other volatile solvents may result in deforming the casing or damaging the finish.

On repacking and shipping

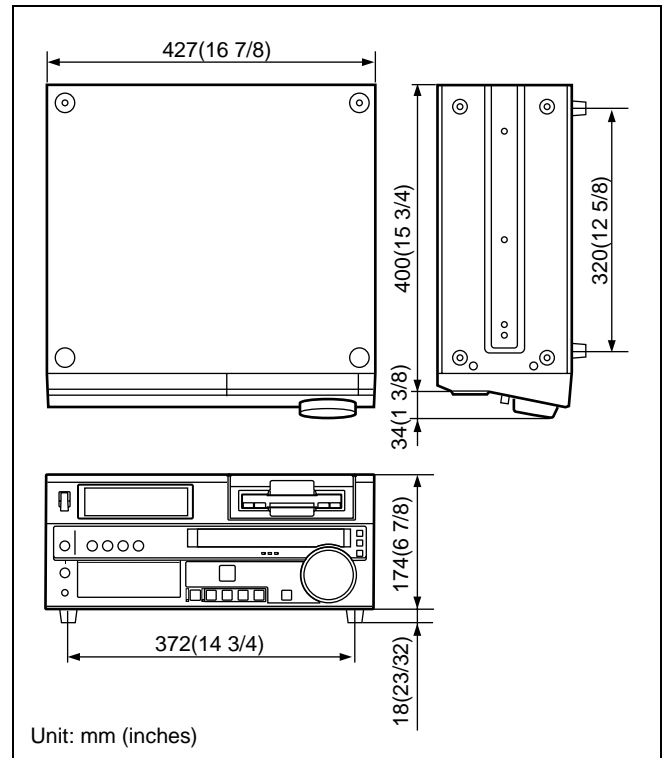
Save the original shipping carton and packing material; they will come in handy if you ever have to ship your unit. For maximum protection, repack your unit as it was originally packed at the factory, and take care not to impart violent shocks in transit.

Specifications

General

Signal system	DSR-1800: NTSC DSR-1800P: PAL
Power requirements	100 V to 240 V AC, 50/60 Hz
Power consumption (with all options installed)	DSR-1800: 100 W/120 V DSR-1800P for Europe: 100 W/220 V DSR-1800P for USA and Canada: 100 W/120 V
Peak inrush current	(1)Power ON, current probe method: 40 A (100 V), 40 A (240 V) (2)Hot switching inrush current, measured in accordance with European standard EN55103-1: 40 A (230 V)
Operating temperature	5°C to 40°C (41°F to 104°F)
Storage temperature	-20°C to +60°C (-4°F to +140°F)
Operating relative humidity	Less than 80%
Storage relative humidity	Less than 90%
Mass	13 kg (28 lb 10 oz)

Dimensions (w/h/d, excluding projections)
427 × 174 × 400 mm
(16⁷/₈ × 6⁷/₈ × 15³/₄ inches)



Tape transport control system

Tape speed	DSR-1800: 28.193 mm/s DSR-1800P: 28.221 mm/s
Recording/playback time	Using PDV-184ME standard-size cassette: Maximum 184 minutes Using PDVM-40ME mini-size cassette: Maximum 40 minutes
Fast forward/rewind time	Using PDV-184ME standard-size cassette: Less than 3 minutes Using PDVM-40ME mini-size cassette: Less than 1 minute
Search speed	When controlling via RS-422A interface: Maximum 60 times normal speed in both directions When controlling from DSRM-10 Remote Control Unit: Jog mode: 0 (still) to 2 times normal speed in both directions Shuttle mode: 8 speeds from 0 (still) to 16 times normal speed in both directions

Video performance

Band width	Composite (DSR-1800): 30 Hz to 4.2 MHz ± 1.0 dB (Y) Composite (DSR-1800P): 25 Hz to 4.8 MHz ± 1.0 dB (Y) S-video (DSR-1800): 30 Hz to 5.0 MHz ± 1.0 dB (Y), 5.75 MHz $+0/-3.0$ dB (Y) (TM) S-video (DSR-1800P): 25 Hz to 5.0 MHz ± 1.0 dB (Y), 5.5 MHz $+1.0/-2.0$ dB (Y), 5.75 MHz $+0/-3.0$ dB (Y) (TM) Component (DSR-1800): 30 Hz to 5.0 MHz ± 1.0 dB (Y), 5.75 MHz $+0/-3.0$ dB (Y) (TM), 30 Hz to 1.3 MHz ± 1.0 dB (C), 1.5 MHz $+0/-5.0$ dB (C) Component (DSR-1800P): 25 Hz to 5.0 MHz ± 1.0 dB (Y), 5.5 MHz $+1.0/-2.0$ dB (Y), 5.75 MHz $+1.0/-3.0$ dB (Y) (TM), 25 Hz to 1.5 MHz ± 1.0 dB (C), 2.0 MHz $+1.0/-2.0$ dB (C)
S/N	Composite I/O (Y): 53 dB or more S-video I/O (Y): 55 dB or more Component I/O (Y): 55 dB or more
Y/C delay	30 ns or less
K-factor	2.0% or less (K2T, KPb)

Processor adjustment range

Video level	± 3 dB/ $-\infty$ to 3 dB selectable
Chrome level	± 3 dB/ $-\infty$ to 3 dB selectable
Setup/Black level	± 30 IRE (± 210 mV)
Chroma phase	$\pm 30^\circ$
Y/C delay	± 100 ns
System phase	Sync: ± 1 μ s* SC: $\pm 180^\circ$

* $+2$ μ s to -3 μ s when using a TBC remote control unit

Audio performance

Frequency response	Two-channel (48 kHz) mode: 20 Hz to 20 kHz $+0.5$ dB/ -1.0 dB Four-channel (32 kHz) mode: 20 Hz to 14.5 kHz $+0.5$ dB/ -1.0 dB
Dynamic range	More than 90 dB
Distortion (THD + N)	Less than 0.05% (48 kHz)

Input connectors

Digital signal inputs

SDTI (QSDI) IN (with optional DSBK-1802 SDTI (QSDI) Input/Output Board installed)	BNC type, SDTI (QSDI) format (270 Mbps)
SDI IN (with optional DSBK-1801 SDI/AES/EBU Input/Output Board installed)	BNC type ($\times 2$, active-through), Serial Digital Interface format (270 Mbps), SMPTE 259M/CCIR656-III
i.DV IN/OUT (with optional DSBK-1803 i.LINK/DV Input/Output Board installed)	6-pin IEEE 1394 connector

Analog video inputs

REF. VIDEO IN	BNC type ($\times 2$, loop-through) Black burst 0.286 V (DSR-1800) or 0.3 V (DSR-1800P), 75 Ω , negative sync Composite sync
VIDEO IN	BNC type ($\times 2$, loop-through), composite, 1.0 Vp-p, 75 Ω , sync negative
COMPONENT VIDEO IN	BNC type ($\times 3$) Y: 1.0 Vp-p, 75 Ω , negative sync R-Y/B-Y: 0.7 Vp-p (75% color bars for DSR-1800 or 100% color bars for DSR-1800P), 75 Ω
S VIDEO IN	DIN 4-pin Y: 1.0 Vp-p, 75 Ω C: 0.286 Vp-p (DSR-1800) or 0.3 Vp-p (DSR-1800P), 75 Ω (burst level)

Analog audio inputs

AUDIO IN	XLR 3-pin, female ($\times 4$), $+4/0/-3^*/-6$ dBm, 600 Ω ON/OFF/ -60 dBu, high impedance, balanced
----------	--

* Selectable on DSR-1800P only

Digital audio inputs

DIGITAL AUDIO (AES/EBU) IN (with optional DSBK-1801 SDI/AES/EBU Input/Output Board installed)	BNC type ($\times 2$), complying with AES-3id-1995
---	--

Time code input

TIME CODE IN	BNC type, SMPTE time code (DSR-1800) or EBU time code (DSR-1800P), 0.5 Vp-p to 18 Vp-p, 3.3 k Ω , unbalanced
--------------	---

Output connectors

Digital signal outputs

SDTI (QSDI) OUT (with optional DSBK-1802 SDTI (QSDI) Input/Output Board installed)

BNC type, SDTI (QSDI) format (270 Mbps)

SDI OUT (with optional DSBK-1801 SDI/AES/EBU Input/Output Board installed)

BNC type (×2, active-through), Serial Digital Interface format (270 Mbps), SMPTE 259M/CCIR656-III

i.DV IN/OUT (with optional DSBK-1803 i.LINK/DV Input/Output Board installed)

6-pin IEEE 1394 connector

Analog video outputs

REF. VIDEO OUT

BNC type ×1

Black burst

0.286 V (DSR-1800) or 0.3 V (DSR-1800P), 75 Ω, negative sync

Composite sync

VIDEO OUT 1, 2 (SUPER)

BNC type (×2), composite, 1.0 Vp-p, 75 Ω, sync negative

COMPONENT VIDEO OUT

BNC type (×3), Y/R–Y/B–Y

Y: 1.0 Vp-p, 75 Ω, sync negative

R–Y: 0.7 Vp-p, 75 Ω (75% color bars for DSR-1800 or 100% color bars for DSR-1800P)

B–Y: 0.7 Vp-p 75 Ω (75% color bars for DSR-1800 or 100% color bars for DSR-1800P)

S VIDEO OUT DIN 4-pin

Y: 1.0 Vp-p, 75 Ω, sync negative

C: 0.286 Vp-p (DSR-1800) or 0.3 Vp-p (DSR-1800P), 75 Ω (burst level)

Analog audio outputs

AUDIO OUT XLR 3-pin, male (×4), +4/0/–3*/–6 dBm, 600 Ω loading, low impedance, balanced

AUDIO MONITOR OUT

Phono jack, –11 dBu ±1 dBu, 47 kΩ, unbalanced

* Selectable on DSR-1800P only

Digital audio outputs

DIGITAL AUDIO (AES/EBU) OUT (with optional DSBK-1801 SDI/AES/EBU Input/Output Board installed)

BNC type (×2), complying with AES-3id-1995

Output for headphones

HEADPHONES

Stereo phone jack, –∞ to –13 dBu, 8 Ω, unbalanced

Time code output

TIME CODE OUT

BNC type, SMPTE time code (DSR-1800), EBU time code (DSR-1800P), 2.2 Vp-p ±3 dB, 600 Ω, unbalanced

Remote control connectors

REMOTE D-sub 9-pin, for connection of editing control unit*, RS-422A standard

CONTROL S Stereo minijack, for connection of SIRCS-compatible remote control unit (DSRM-10)

VIDEO CONTROL

D-sub 15-pin, for connection of TBC remote control unit**

i.DV IN/OUT (with optional DSBK-1803 i.LINK/DV Input/Output Board installed)

6-pin IEEE 1394 connector

* ES-7, PVE-500, RM-450/450CE, BVE-600/800/910/2000/9100/9100P, etc.

**UVR-60/60P, etc.

Supplied accessories

AC power cord (1)

Operating Instructions (1)

Optional accessories

DSBK-1801 SDI/AES/EBU Input/Output Board

DSBK-1802 SDTI (QSDI) Input/Output Board

DSBK-1803 i.LINK/DV Input/Output Board

RCC-5G/10G/30G 9-pin remote control cable (length: 5 m (16 ft)/10 m (33 ft)/30 m (98 ft))

RMM-130 Rack Mount Kit

Digital video cassette

Standard size: PDVM-64ME/94ME/124ME/184ME

Mini size: PDVM-12ME/22ME/32ME/40ME

Cleaning cassette

DV12CL (standard size), DVM12CL (mini size)



Related equipment

ES-3/7 EditStation

Linear editing control unit: PVE-500, RM-450/450CE,
BVE-600/800/910/2000/9100/9100P

DME switcher: DFS-300/300P, DFS-500/500P,
DFS-700/700P

DXC-D35/D35P Color Video Camera

DSR-1/1P/300A Digital Videocassette Recorder

DSR-85/85P/2000/2000P Digital Videocassette Recorder

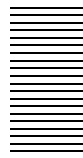
DSR-1600/1600P Digital Videocassette Player

DSR-370/370P/570WS/570WSP/130/130P/250/250P/
PD100A/PD100AP/PD150/PD150P
Digital Camcorder

DSRM-10 Remote Control Unit

TBC remote control unit: UVR-60/60P, BVR-50/50P

Design and specifications are subject to change without notice.



ClipLink Guide

What Is ClipLink?

The ClipLink function greatly improves the efficiency of the video production process as a whole by recording various editing-related data on tape when shooting. As such, ClipLink is a revolutionary function that transcends the conventional separation of shooting and editing.

How ClipLink Changes Video Production Techniques

The following describes various ways in which ClipLink* video production differs from conventional video production.

* The ClipLink system is a video production system which uses the cassette memory function.

Recording of ClipLink log data lightens the shooting workload

When you start shooting a scene, ClipLink log data such as the scene number and time code data are automatically recorded into the cassette memory. This eliminates the need for a conventional “shot list” compiled by someone using a stopwatch, clipboard and pencil. You can also designate unwanted scenes as “NG” (no good) and automatically skip all “NG” scenes when editing.

Recorded index pictures drastically cut editing time

The ClipLink function also features index pictures as a time-saving tool for rough editing. Each index picture is a compressed image taken from the start of each scene, which is recorded onto the tape as a still picture. When editing, begin by transferring only the index pictures and the ClipLink log data to the EditStation’s hard disk. You can also transfer OK scenes only (“NG” scenes are skipped).

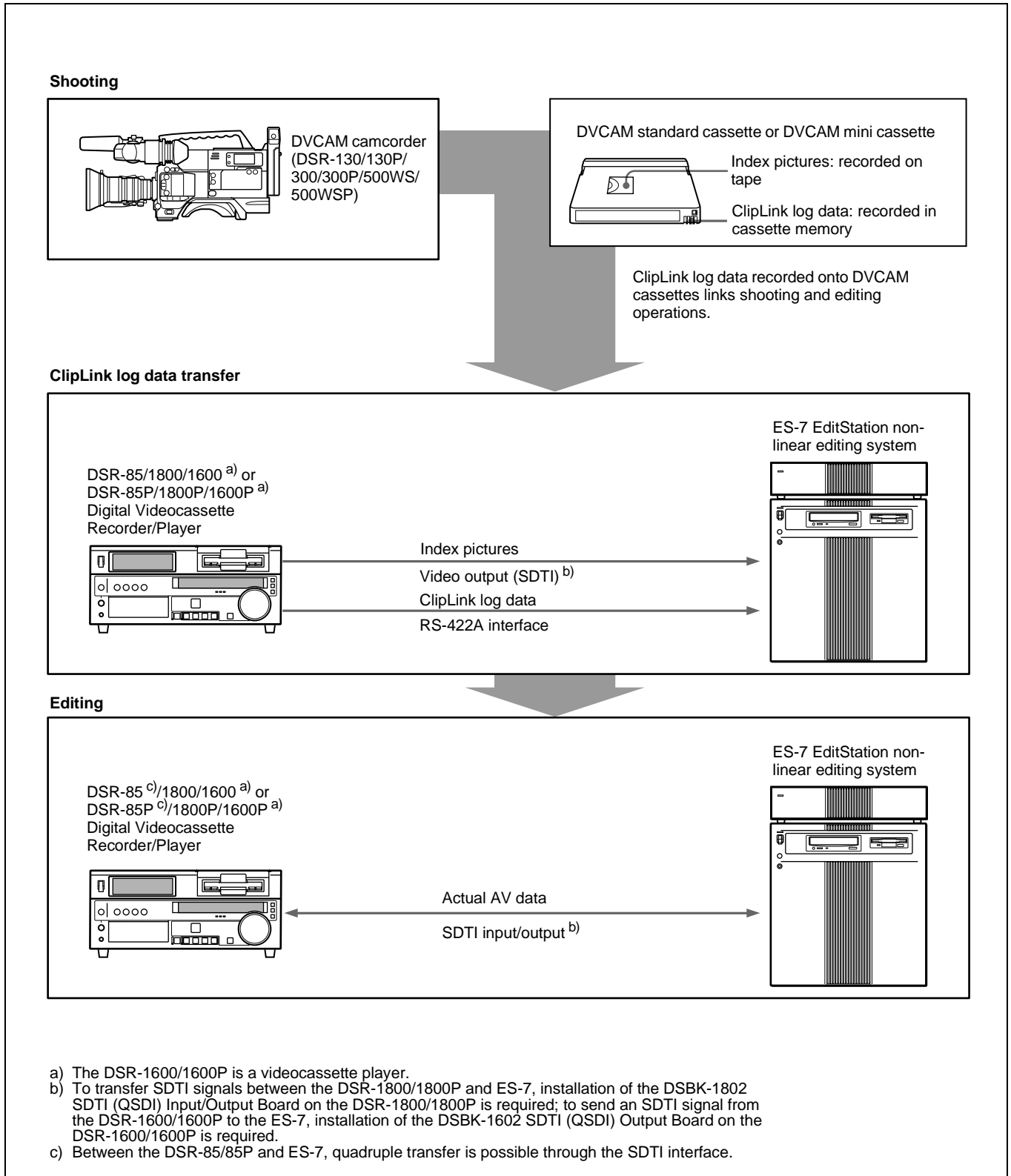
Next, begin rough editing by viewing the index pictures on the EditStation’s GUI display and rearranging them as you wish. This eliminates the difficult work of matching up a handwritten shot list with recorded scenes. After you have completed this rough editing, you can then transfer only the recordings needed for your video program.

High-speed transfer of recordings

It is also possible to transfer the editing material itself between the DSR-85/85P and ES-7 at four times normal speed. In other words, the transfer can be carried out in one fourth of the real time duration. It is of course possible to carry out a transfer at four times normal speed when backing up video and audio data recorded on the disk drive to the DSR-85/85P, or in the opposite direction when loading data backed up on the DSR-85/85P to the disk drive. Thus the time required is much shorter than with conventional equipment (for which, for example, transferring a 40-minute segment of video takes 40 minutes).

Example System Configuration and Operation Flow

The following illustration shows an example system configuration for using the ClipLink function and a typical ClipLink operation flow.

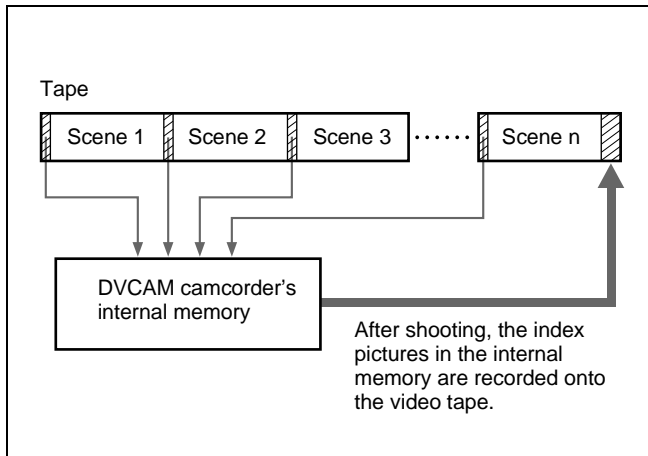


Data Generated When Shooting

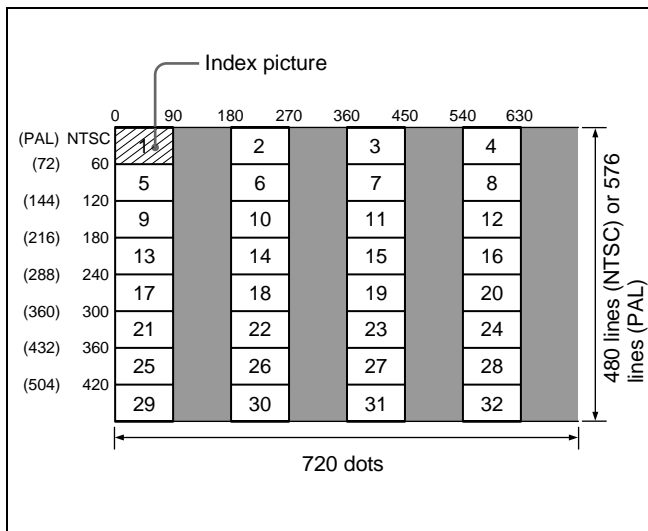
The following describes the kinds of data that is generated when using the ClipLink function.

Index pictures

When shooting, a single-frame image from the Mark IN point at the start of each scene is recorded as a still picture into the camcorder's internal memory. These images are called "index pictures." When you finish shooting, the index pictures from all scenes are recorded onto the tape after the last scene.



Up to 32 index pictures can be recorded onto the tape space normally occupied by one frame, as shown below.



Seven frame spaces are reserved at the end of the last scene as a recording area for index pictures. (A cassette with 16 Kbits of cassette memory can record up to 198 index pictures, and a cassette with 4 Kbits of cassette memory can record up to 45 index pictures.)

ClipLink log data

ClipLink log data can be recorded automatically or manually into the cassette memory for use as a convenient alternative to the conventional "shot list."

ClipLink log data includes the following items.

ClipLink log data	Description
Reel number (cassette number)	Data (maximum length: 8 digits) consisting of alphanumeric characters and/or symbols (This is left blank at shipping.)
Scene number	A three-digit number from 001 to 198 (starts at 001 and is automatically incremented with each scene.)
Take number	This cannot be changed (set to "1" at shipping).
OK/NG	Indicates the OK/NG status of a particular scene. (In the OK case, nothing is recorded.)
Mark IN/OUT point time codes	These are the time codes that indicate the Mark IN and Mark OUT points for each scene (HH:MM:SS). These time codes are recorded when the camera has been set to MARK mode. The time code value is rounded up at each Mark IN point and rounded down at each Mark OUT point, to a whole number of seconds. <i>For details, see "Time codes recorded for Mark IN/OUT points" on page 114.</i>
Cue point time code	This is the time code that indicates the cue points (valid up to the frame digit). This time code is recorded when the camera has been set to CUE mode. When in this mode, the time codes at the start and end of a recording (the Rec IN and Rec OUT time codes) are automatically recorded as Mark IN and OUT points, respectively.

How to record ClipLink log data

The following describes how to record the various ClipLink log data items.

OK/NG status

To designate a scene as “NG,” press the NG button on the camera while shooting the scene or at any time before you begin shooting the next scene.

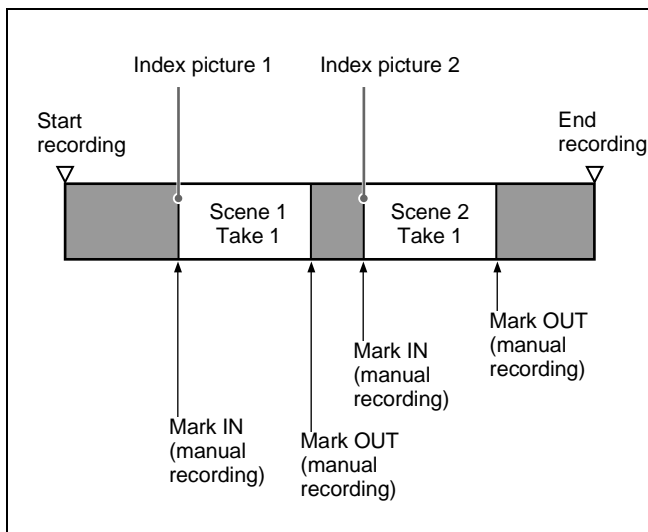
All scenes that do not receive an “NG” designation are recorded as “OK” scenes.

(When you exit the VCR recording mode, changing the OK/NG status is no longer possible.)

Mark IN/OUT point time codes

This data is especially useful when shooting a video program for which a scenario has been created.

Set the camera to MARK mode before you start shooting. While shooting, each time you press the camera’s TAKE button, Mark IN and Mark OUT point time codes are recorded alternately.

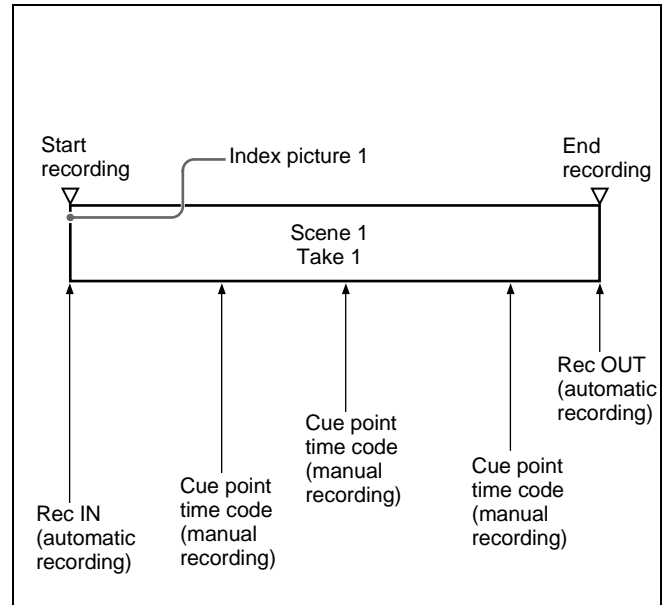


Cue point time codes

This type of data is especially useful when shooting scenes that may contain unexpected events, such as when shooting for sports coverage or documentaries.

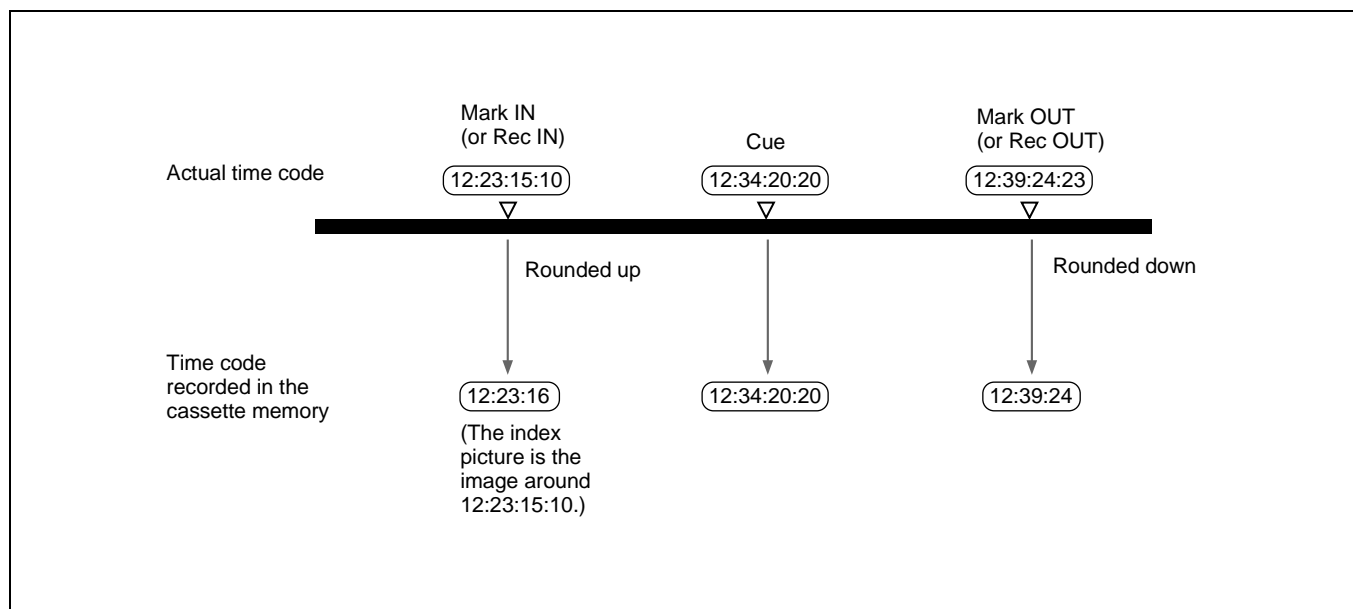
Set the camera to CUE mode before you start shooting.

While shooting, each time you press the camera’s TAKE button, the current time code is recorded as a cue point time code.



Time codes recorded for Mark IN/OUT points

There is a gap between actual time codes and Mark IN/OUT time codes recorded in the cassette memory, as shown in the figure below. The time code value is rounded up at each Mark IN point and rounded down at each Mark OUT point, to a whole number of seconds.



Recording capacity for Mark IN/OUT point time codes and cue point time codes

When in MARK mode, up to 198 pairs of Mark IN and Mark OUT points can be recorded (if using a cassette with 16 Kbits of cassette memory).

When in CUE mode, up to 396 time code points (including all cue point time codes and all Mark (Rec) IN and Mark (Rec) OUT point time codes) can be recorded (if using a cassette with 16 Kbits of cassette memory).



Glossary

A/B roll editing

An editing method that uses two or more playback VCRs to create special effects such as dissolve and wipe, and uses one record VCR to record the results of the editing. Using an editing control unit allows efficient control of the VCRs and very precise editing.

AES/EBU format

A unified format for digital audio signals. It allows a single connector to carry the signals for two channels.

B–Y signal

A chrominance signal determined by subtracting the Y (luminance) signal from the B (blue) signal. One of the component signals.

Capstan

A drive mechanism that moves the tape at a specified speed. Its rotation normally synchronizes with a reference sync signal.

Chrominance signal

Color signal containing color information such as hue and saturation. Also called C signal.

Component signals (YRB)

A video signal consisting of a luminance signal (Y) and two chrominance signals (R–Y, B–Y).

Composite signal

A composite video signal containing video, burst and sync signals.

Condensation

Condensation of moisture on the tape transport mechanisms of VCRs including the head drum. If moisture condenses on the head drum, the tape adheres to the drum and causes malfunction.

Drop frame mode

Time code runs at 30 frames/sec. The NTSC system, however, runs at about 29.97 frames/sec. Drop frame mode adjusts this difference. The time code and video are synchronized by dropping the first two frames of the time code every minute, except at the ten-minute marks.

EE mode

EE is an abbreviation of “Electric to Electric”. Video and audio signals are supplied to the VCR’s internal circuits, but not to the recording heads.

Head drum

A metal cylinder to which a video head is attached. This drum is rotated at high speeds in synchronization with the sync signal during recording and playback.

Linear editing

Editing while playing back video and audio signals recorded on video tape. *See also “Non-linear editing.”*

Loading

When being loaded, the tape is pulled out of the cassette case and threaded along the specified tape path and wrapped round the drum to be ready for recording or playback. Generally, this is done automatically when you place the cassette at the cassette entrance of the VCR. Also called threading.

Loop-through connection

A connection which allows a signal input to an input connector to pass through the unit and exit from an output connector as input to external equipment. Also called bridging connection.

Luminance signal

The signal that determines the brightness of the picture. Also called Y signal. One of the component signals.

Non-drop frame mode

The number of frames of the time code and video run is not adjusted. When you use the time code in non-drop frame mode, the real playback time will be about 86 seconds shorter per day than the time code. If you edit frame by frame or if you determine the length of a shot by counting the time code, use drop frame mode.

Non-linear editing

Editing while playing back video and audio signals recorded on hard disks. Video scenes stored on disk can be cued up quickly, for increased editing efficiency. *See also “Linear editing.”*

PCM audio

This is an audio signal represented by pulse code modulation. The analog audio signal is first broken down into a sequence of pulses, and these are then represented digitally.

Preroll

Running of a video tape to a prior to an edit-start point to enable the tape to reach a steady speed and to be synchronized with other video tapes.

R–Y signal

A chrominance signal determined by subtracting the Y (luminance) signal from the R (red) signal. One of the component signals.

Reference video signal

A video signal consisting of a sync signal or sync and burst signals, used as a reference.

Setup (for DSR-1800)

The difference between the reference black level and the blanking level of a composite signal.

SMPTE

Abbreviation of Society of Motion Picture and Television Engineers, a professional association established in the USA.

S/N

Abbreviation of Signal-to-Noise (ratio). The higher the S/N value, the less noise and higher the picture quality.

Search mode

A VCR operating mode used when searching for specific scenes, by viewing the video output or time code values while playing back the tape at various speeds in forward or reverse direction.

Servo lock

Synchronizing the drum rotation phase and tape transport phase with a reference signal during playback and recording so that the video heads scan the tape in the same pattern during playback and recording.

Standby Off mode

One of two conditions in the stop mode. The drum does not rotate and tape is slackened. There is no damage to the video heads and the tape, but the VCR is not ready for immediate recording or playback.

Standby On mode

One of two conditions in the stop mode. The drum is rotating and the tape is wrapped round the drum. The VCR is ready for recording or playback, so a still picture can be obtained.

Subcarrier

A sine wave imposed on the luminance portion of a video signal and modulated to carry color information. Its amplitude represents color saturation and its phase represents hue.

Superimpose

To put a set of characters onto a picture so that both can be seen at the same time.

S-video

A signal format in which Y (luminance) and C (chrominance) signals are separated to reduce interference between them so that noiseless images are reproduced.

Sync signal

A reference signal consisting of vertical and horizontal sync signals used for synchronizing the scanning patterns of the video camera and the monitor.

TBC

Abbreviation of Time Base Corrector. Electronic circuits to electrically stabilize the playback signals by removing color variation and roll in the playback picture caused by irregularity in drum rotation and tape movement. Time base correction reduces deterioration of picture quality when transmitting or copying playback signals.

Threading

See "Loading."

Time code

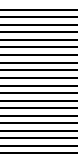
Signals recorded on the tape to supply information on tape position such as the hour, minute, second and frame, to assist in setting edit points or searching for particular scenes.

Unloading

When the EJECT button is pressed, the VCR automatically winds the tape back into the cassette case. Also called "Unthreading."

User bits

Sections of time code information consisting of a total of 32 bits that can be used for recording information such as date, tape ID number, program ID number, etc.



Index

Numerics

9PIN button 20

A

A/B roll editing system 86
AC IN connector 21
Alarm messages 102
Analog audio signal input/output section 24
Analog interfaces 10
Analog recording 93
Analog video signal input/output section 22
Arrow buttons 16
Aspect ratio 11
AUDIO CH1 1/2 display 14
AUDIO CH2 3/4 display 14
AUDIO IN CH-1 to CH-4 connectors 25
AUDIO IN LEVEL/600-ohm switches 24
AUDIO INPUT LEVEL control knobs 14
Audio level meters 13
AUDIO MONITOR OUT connector 25
Audio monitor system connections 88
AUDIO OUT CH-1 to CH-4 connectors 25
Audio performance 107
AUTO FUNCTION execution menu 75
Auto mode execution menu 75

B

Basic items 59, 76

C

Cassette compartment 13
Cassette memory indicator 19
CH1,1/2 button 16
CH2,3/4 button 16
CHANNEL CONDITION indicators 19
ClipLink 10
 example system configuration 111
 guide 110
 index pictures 110, 112
 log data 110, 112
ClipLink indicator 18

COMPONENT VIDEO IN Y/R-Y/B-Y connectors 22
COMPONENT VIDEO OUT Y/R-Y/B-Y connectors 23
Condensation 97
Connections 83
 analog recording 93
 audio monitor system 88
 control signal 89
 for A/B roll editing system 86
 for cut editing system 85
 for digital non-linear editing system 83
 for dubbing via i.LINK interface 56
 for dubbing via SDTI (QSDI) 56, 92
 video monitor 91
 video/audio signals 90
CONTROL S connector 14
Control signal connections 89
COUNTER 49
COUNTER SEL button 16
Cue point 113
Cut editing system 85

D

DIGITAL AUDIO (AES/EBU) IN connectors 24
DIGITAL AUDIO (AES/EBU) OUT connectors 24
Digital dubbing 56
Digital hours meter 11, 97
 display modes 97
 indications in the time counter display 98
 indications on the monitor 98
Digital jog sound function 11
Digital signal input/output section 23
Digital slow-motion playback 11
Display section 18
Drop frame indication 48
DSBK-1801 SDI/AES/EBU Input/Output Board 11
DSBK-1802 SDTI (QSDI) Input/Output Board 11
DSBK-1803 i.LINK/DV Input/Output Board 11
DVCAM 9

E

EBU 10
Editing control unit 91
EE OUT PHASE settings 73
 THROUGH mode 73
 VIDEO INPUT PHASE mode 73

VIDEO OUTPUT PHASE mode 74

EJECT button 17
Enhanced items 59, 78
Error messages 102
External device connectors 25

F

F FWD button 17
Factory default settings 79
FREE RUN 50
Front panel 13

H

Head cleaning 99
HEADPHONES connector 14

I

i.DV IN/OUT connector 24
i.LINK (DV) 10
i.LINK button 20
Index pictures 110, 112
Initial time code value 49
INPUT display 14
INPUT SELECT section 16
Input selection/audio mode display section 14
Interfaces 10
Internal time code generator 49
 FREE RUN 50
 REC RUN 50

J

JOG indicator 19
Jog mode 20, 55
Jog sound function 11

L

Log data 110, 112
 cue point 113
 Mark IN/OUT points 113, 114
 OK/NG status 113
 recording capacity 114

M

Maintenance 97
 condensation 97
 head cleaning 99
 regular checks 97
Mark IN/OUT points 113, 114
Menu 59
 changing settings 76
 contents 62
 factory default settings 79

item indications 62
 MENU button 16
 Menu control panel 15
 MONITOR SELECT switches 15

N

Non-linear editing 9, 83
 NOT EDITABLE indicator 19

O

OK/NG status 113
 Operation mode indications 47, 48
 Optional accessories 108

P

PB FS display 14
 PCM digital audio 9
 Phases adjustment 94
 PHONE LEVEL control knob 13
 PLAY button 17
 Playback 55
 Playback modes 20
 jog mode 55
 shuttle mode 55
 POWER switch 13
 Precautions 105
 Processor adjustment range 107

R

Rack mount 11
 Rear panel 21
 REC button 17
 REC INHIBIT indicator 19
 REC MODE display 14
 REC RUN 50
 Recording/playback format indicators 18
 REF. VIDEO IN/OUT connectors 22
 Reference video signals 85
 Regular checks 97
 Related equipment 109
 REMOTE button 20
 REMOTE connector 25
 Remote control 10
 Remote control setting section 20
 REPEAT indicator 19
 Rerecording time code 51
 RESET (NO) button 16
 REW button 17
 RMM-130 Rack Mount Kit 11
 RS-422A interface 10

S

S VIDEO IN connector 22

S VIDEO OUT connector 23
 SC PHASE control 17
 SDI IN connector 24
 SDI OUT connectors 24
 SDI/AES/EBU 10
 SDTI (QSDI) 10
 dubbing 92
 SDTI (QSDI) IN/OUT connectors 24
 SDTI/i.LINK button 16
 Search 10, 19, 54, 55
 via external equipment 54
 SEARCH button 19
 Search control section 19
 Search dial 19
 SERVO indicator 19
 SET (YES) button 16
 Setup menu 62
 AUDIO CONTROL 69
 DIGITAL PROCESS 72
 DISPLAY CONTROL 65
 MENU GRADE 73
 OPERATIONAL FUNCTION 62
 SETUP BANK OPERATION 72
 TAPE PROTECTION 68
 TIME CODE 66
 VIDEO CONTROL 68
 SHUTTLE indicator 19
 Shuttle mode 20, 55
 SIRCS 10
 Slow-motion playback 11
 SMPTE 10
 Specifications 106
 STOP button 17
 Subcarrier phase 94
 Superimposition 11, 23
 Supplementary status information 80
 Supplied accessories 108
 Sync phase 94
 SYNC PHASE control 17
 Synchronizing time codes 51

T

Tape end alarm indicator 19
 Tape transport control section 17
 TC 49
 TC insert function 51
 TC PRESET button 17
 Time code
 generator/reader 10
 rerecording 51
 TIME CODE IN/OUT connectors 23
 Time counter display 19, 49
 Time data
 displaying 47
 setting 47
 Time data type 48

COUNTER 49
 indicators 19
 TC 49
 U-BIT 49
 Track pitch 9
 Troubleshooting 100
 alarm messages 102
 error messages 102

U

U-BIT 49

V

VIDEO CONTROL connector 25
 VIDEO display 14
 VIDEO IN button 16
 VIDEO IN connectors 22
 Video monitor connection 91
 VIDEO OUT 1 and 2 (SUPER) connectors 23
 Video performance 107
 Video process control 11
 Video/audio signal connections 90
 VITC field indication 48
 VITC indicator 19

W

Wide-screen 11

Sony Corporation

<http://www.sony.net/>

Printed in China