

**SONY**<sup>®</sup>

*LCD Video Projector*  
**VPL-VW11HT**









## *The stylish and brilliant way to bring breathtaking visuals into your home*

Sony is proud to introduce the new VPL-VW11HT LCD Video Projector – bringing beautiful large-screen images to life. The successor to the popular VPL-VW10HT, this state-of-the-art projector takes your home theater experience to a new level. It now offers improved contrast and enriched image reproduction by improving its major components including 16:9 wide XGA (1366 x 768 pixels) LCD panels, optical unit, lamp and electrical circuit.

In addition, advanced Sony signal processing technologies such as Digital Reality Creation™ - Multi Function (DRC-MF™), 3D gamma, 3D/3-line Y/C separation/digital noise reduction and through mode, help to provide a truly rewarding visual experience.

As indicated by the “HT” in its model name, the VPL-VW11HT is designed specifically for home theater use and offers many features to increase your entertainment possibilities. Video memory, digital keystone correction, cinema black mode, short throwing distance, low fan noise, and a handsome white cabinet – just some of the innovations that make Sony VPL-VW11HT LCD Video Projector the perfect addition to your home theater system.



## **Excellent brightness and contrast**

The VPL-VW11HT utilizes three wide XGA (1366 x 768 pixels) resolution LCD panels and a 200 W UHP lamp, to provide a high brightness output of 1000 ANSI lumens (in 16:9 mode). It provides excellent contrast for crisp images, by innovating all the key components that make up an LCD projector - LCD panels,

optical unit, lamp and electrical circuit – to prevent light leakage and to make full use of the LCD's dynamic range. Now the VPL-VW11HT offers remarkable image reproduction, with intense, deep blacks and rich color gradation.

LCD panel



Lamp



Optical unit





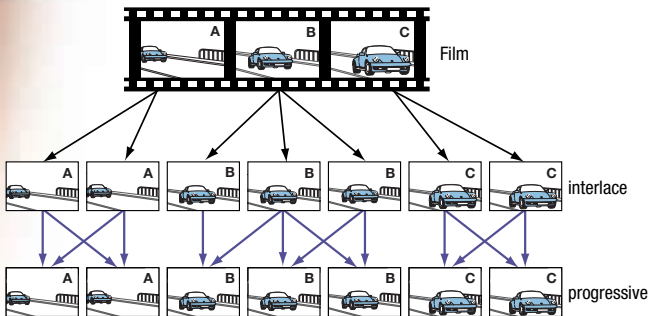
## Superb picture quality

For crisp and vivid image reproduction, the VPL-VW1 IHT incorporates a series of high-performance Sony signal processing technologies such as Digital Reality Creation - Multi Function (DRC-MF), 3D gamma correction and 3D\* $\frac{1}{3}$ -line Y/C separation/digital noise reduction circuit. The newly developed DRC-MF incorporates the CINE MOTION (2-3 pull down) function that helps reproduce natural and detailed pictures from film-originated sources. This, combined with the original DRC-MF effects, provides high-defining progressive signals, bringing out the true beauty and fascination of cinema.

\*This function is only applicable to NTSC signals.

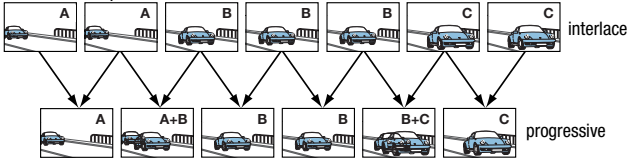


### CINE MOTION



Each frame of the original film is reproduced accurately for a true cinema experience.

### Normal 2-3 pull down



Fields with different images are combined, producing irregular images not included in the original film.

## Perfect for your home theater system

Specially designed for the home theater environment, the VPL-VW1 IHT offers an outstanding range of features. An extended air duct and innovative cooling structure reduce fan noise to barely audible levels, ensuring that the only thing you'll hear is the sound from your audio system. The new air filter dramatically reduces the dust entering the unit. The digital keystone correction function\* provides installation flexibility by correcting distortion that can arise from extreme projection angles. And like all other Sony home theater projectors, the VPL-VW1 IHT features a stylish white colored cabinet that makes it the perfect complement for any interior.

\*This function is available for "full", "normal", and "zoom" modes.

## Various inputs

The VPL-VW1 IHT accepts a variety of input signals including video, S video and DTV (480i, 480p, 720p, 1080i). It can also handle RGB (fH: 15 to 80 Hz, fV: 50 to 85 Hz) and 16:9 aspect RGB signals\*, offering excellent versatility.

\*Only applicable to: FH 45.0 kHz, fV 56.0 Hz, sync N/N, Dot Clock 79.899 MHz.

## Cinema black mode

For extra versatility, the VPL-VW1 IHT allows you to set lamp drive wattage to "normal" (1000 ANSI lumens) or "cinema black" mode (approx. 750 ANSI lumens). The "cinema black" mode provides an elevated black level for viewing film sources. For optimum results, use both modes according to ambient light conditions.



"Cinema black" mode ON



"Cinema black" mode OFF

Simulated picture

## Video memory

The video memory function of the VPL-VW1 IHT memorizes six sets of control parameters (Picture Control and Input Setting) to match various input sources.

## Through mode

In the "through" mode, video signals are not affected by scan conversion and this enables the VPL-VW1 IHT to reproduce a high-density, one-to-one mapped picture. The "full through" mode is suitable for squeezed 16:9 sources, while the "normal through" mode is ideal for 4:3 sources.



"Full" mode



"Full through" mode



"Normal" mode



"Normal through" mode



"Subtitle" mode



"Zoom" mode



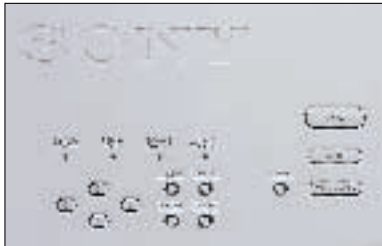
"Wide zoom" mode

## Easy projector control

Projector control keys and the supplied remote control unit provide easy control of the VPL-VW1 IHT. The keys can be lit up enabling smooth control even in low-light conditions.



RM-PJW10



Control panel



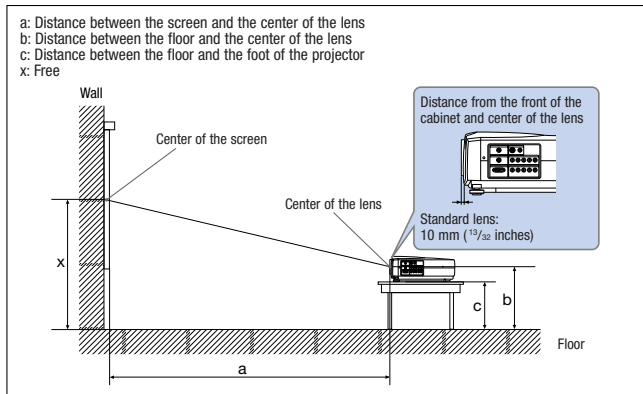
Connectors



## Short throwing distance

The VPL-VW11HT has a short throwing distance, so it requires very little space to produce a big image. So even in a small room, you can still enjoy full-scale home entertainment.

### Floor installation

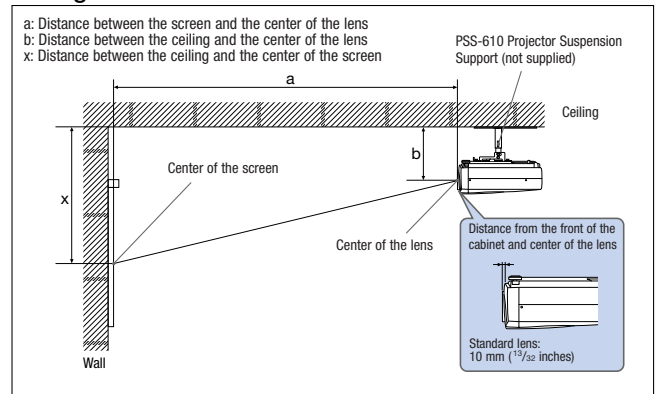


16:9 Screen size (inches)		40	60	80	100	120	150	180	200	250	300
a	Minimum	1260 (49 3/4)	1930 (76)	2600 (102 3/4)	3270 (128 3/4)	3930 (154 1/4)	4940 (194 1/4)	5940 (234)	6610 (260 1/4)	8270 (325 3/4)	9940 (391 1/2)
	Maximum	1470 (58)	2240 (88 3/4)	3010 (118 3/4)	3780 (148 3/4)	4550 (179 1/4)	5710 (224 1/4)	6880 (270 1/4)	7630 (300 1/2)	9560 (376 1/2)	11480 (452 1/2)
b		x-249 (x-9 1/4)	x-374 (x-14 3/4)	x-498 (x-19 3/4)	x-623 (x-24 3/4)	x-747 (x-29 3/4)	x-934 (x-36 3/4)	x-1121 (x-44 1/4)	x-1245 (x-49 1/4)	x-1556 (x-61 1/4)	x-1865 (x-73 1/4)
c		x-349 (x-13 3/4)	x-473 (x-18 3/4)	x-598 (x-23 3/4)	x-722 (x-28 3/4)	x-847 (x-33 3/4)	x-1033 (x-40 3/4)	x-1220 (x-48 1/4)	x-1345 (x-53)	x-1656 (x-65 1/4)	x-1967 (x-77 1/4)

4:3 Screen size (inches)		40	60	80	100	120	150	180	200	250	300
a	Minimum	1560 (61 1/2)	2380 (93 3/4)	3200 (126)	4020 (158 3/4)	4830 (190 1/4)	6060 (238 3/4)	7290 (287 1/4)	8100 (319)	10150 (399 3/4)	12190 (480)
	Maximum	1820 (71 3/4)	2760 (108 3/4)	3700 (145 3/4)	4650 (183 3/4)	5590 (220 1/4)	7000 (275 3/4)	8420 (331 3/4)	9360 (368 3/4)	11720 (461 1/4)	14070 (554 1/4)
b		x-305 (x-12)	x-457 (x-18 1/4)	x-610 (x-24 1/4)	x-762 (x-30 1/4)	x-915 (x-36 1/4)	x-1143 (x-45 1/4)	x-1372 (x-54 1/4)	x-1524 (x-60 1/4)	x-1905 (x-75 1/4)	x-2287 (x-90 1/4)
c		x-404 (x-16)	x-557 (x-22)	x-709 (x-28)	x-862 (x-34)	x-1014 (x-40)	x-1243 (x-49)	x-1471 (x-58)	x-1624 (x-64)	x-2005 (x-78 3/4)	x-2386 (x-94)

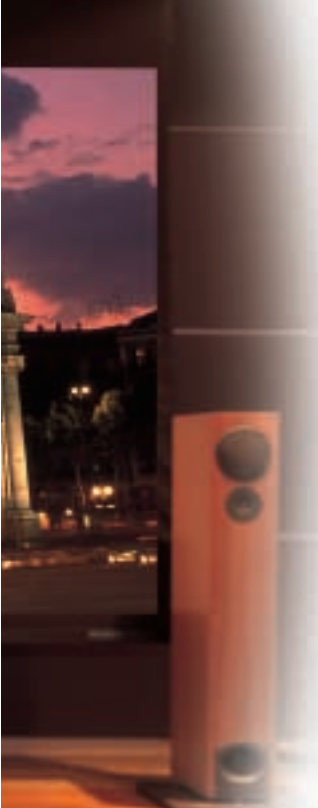
### Ceiling installation



16:9 Screen size (inches)		80	100	120	150	180	200	250	300	
a	Minimum	2600 (102 3/4)	3270 (128 3/4)	3930 (154 1/4)	4940 (194 1/4)	5940 (234)	6610 (260 1/4)	8270 (325 3/4)	9940 (391 1/2)	
	Maximum	3010 (118 3/4)	3780 (148 3/4)	4550 (179 1/4)	5710 (224 1/4)	6880 (270 1/4)	7630 (300 1/2)	9560 (376 1/2)	11480 (452 1/2)	
b		b+498 (b+19 3/4)	b+623 (b+24 3/4)	b+747 (b+29 3/4)	b+934 (b+36 3/4)	b+1121 (b+44 1/4)	b+1245 (b+49 1/4)	b+1556 (b+61 1/4)	b+1865 (b+73 1/4)	
x		247, 272, 297, 347, 372, 397 mm (9 3/4, 10 3/4, 11 3/4, 13 3/4, 14 3/4, 15 3/4 inches) adjustable when using PSS-610								

4:3 Screen size (inches)		80	100	120	150	180	200	250	300	
a	Minimum	3200 (126)	4020 (158 3/4)	4830 (190 1/4)	6060 (238 3/4)	7290 (287 1/4)	8100 (319)	10150 (399 3/4)	12190 (480)	
	Maximum	3700 (145 3/4)	4650 (183 3/4)	5590 (220 1/4)	7000 (275 3/4)	8420 (331 3/4)	9360 (368 3/4)	11720 (461 1/4)	14070 (554 1/4)	
b		b+610 (b+24 1/4)	b+762 (b+30 1/4)	b+915 (b+36 1/4)	b+1143 (b+45 1/4)	b+1372 (b+54 1/4)	b+1524 (b+60 1/4)	b+1905 (b+75 1/4)	b+2287 (b+90 1/4)	
x		247, 272, 297, 347, 372, 397 mm (9 3/4, 10 3/4, 11 3/4, 13 3/4, 14 3/4, 15 3/4 inches) adjustable when using PSS-610								



Simulated picture

Specifications		
<b>Model</b>	VPL-VW11HT	
<b>Optical</b>	Projection system	3 LCD panels, 1 lens projection system
	LCD panels	1.35-inch p-Si TFT LCD panel 3,147,264 (1,049,088 x 3) pixels
	Projection lens	1.2 times zoom lens, F2.2 to 2.5, f44.6 to 53.6 mm
	Lamp	200 W UHP
	Screen coverage	40 to 300 inches (16:9, viewable area, measured diagonally)
	Light output	1000 ANSI lumens* (16:9), 750 ANSI lumens (4:3)
<b>Signals</b>	Color system	NTSC, PAL, SECAM, NTSC <sup>4.43</sup> , PAL-M, PAL-N (automatically/manually selected)
	Resolution	Video: 750 TV lines HD: 1100 TV lines RGB: 1366 x 768 pixels
	Acceptable signals	DTV (480i, 480p, 720p, 1080i), progressive component, 15 kHz component 50/60 Hz system, composite video, Y/C video, RGB (fH: 15 to 80 kHz, fV: 50 to 85 Hz)
<b>General</b>	Power requirements	AC 100 to 240 V, 50/60 Hz
	Power consumption	Max. 300 W, standby 6 W
	Heat dissipation	1023.7 BTU
	Dimensions	395 (W) x 168 (H) x 427 (D) mm (15 5/8 x 6 5/8 x 16 7/8 inches)
	Mass	Approx. 8 kg (17 lb 10 oz)
	Operating temperature	0 to 40 °C (32 to 104 °F)
	Operating humidity	35 to 85 %
<b>Inputs/Outputs</b>	Video	
	Composite	Phono type, 1 Vp-p ± 2 dB sync negative, 75 Ω
	Y/C IN	Mini DIN 4-pin
	Y	1 Vp-p ± 2 dB sync negative, 75 Ω
	C	Burst 0.286 Vp-p ± 2 dB (NTSC), 75 Ω or 0.3 Vp-p ± 2 dB (PAL), 75 Ω
	INPUT A/B	
	Component/Progressive	Phono type
	Component/YPbPr/	
	Analog RGB	
	G	0.7 Vp-p ± 2 dB positive, 75 Ω
	G with sync/Y	1 Vp-p ± 2 dB sync negative, 75 Ω
	B/C <sub>B</sub> /P <sub>B</sub>	0.7 Vp-p ± 2 dB positive, 75 Ω
	R/C <sub>R</sub> /P <sub>R</sub>	0.7 Vp-p ± 2 dB positive, 75 Ω
	SYNC/HD	
	Composite sync	1 to 5 Vp-p, high impedance positive/negative
Horizontal sync	1 to 5 Vp-p, high impedance positive/negative	
VD		
Vertical sync	1 to 5 Vp-p, high impedance positive/negative	
CONTROL S IN (PLUG IN POWER)	Stereo mini jack 5 Vp-p, plug in power DC 5 V	
TRIGGER	Mini jack Power on: DC 12 V, output impedance: 4.7 kΩ Power off: 0 V	
REMOTE RS-232C	D-sub 9-pin (Female)	
<b>Safety regulations</b>	UL, cUL (CSA), FCC Class B, IC Class B, NEMKO, CE (EMC), C-Tick, CCIB, VCCI, JEITA	
<b>Supplied accessories</b>	Remote Commander RM-PJW10 AA size Battery (2) Air Filter (3) Operation Manual	

\*ANSI lumens is a measuring method of the American National Standards Institute IT 7.228.

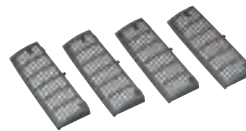
**Optional accessories**



Projector Lamp LMP-P201  
(for replacement)



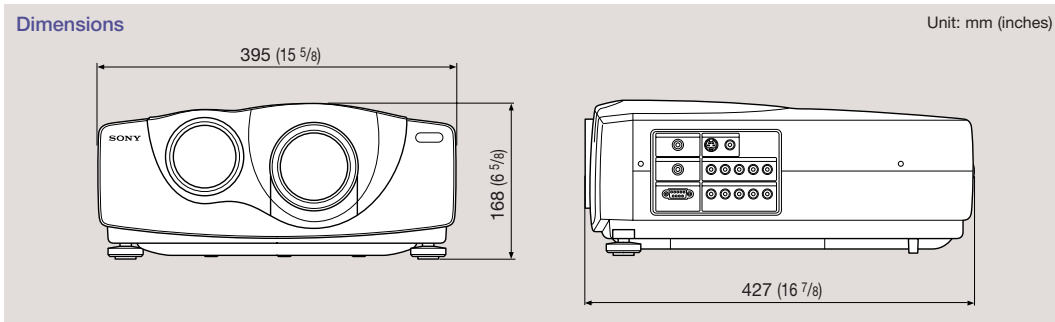
Projector Suspension  
Support PSS-610



Air Filter PK-VW11FL



Monitor Cable SMF-400  
(HD D-sub 15-pin to 5 BNC)  
Macintosh® Adaptor ADP-20  
(Macintosh to VGA)



# SONY

---

Distributed by

©2001 Sony Corporation. All rights reserved.  
Reproduction in whole or in part without written permission is prohibited.  
Features and specifications are subject to change without notice.  
All non-metric weights and measures are approximate.  
Sony is a registered trademark of Sony Corporation.  
Digital Reality Creation, DRC-MF and DRC-MF logo are trademarks of Sony Corporation.  
Macintosh is a registered trademark of Apple Computer, Inc.  
All other trademarks are the property of their respective owners.