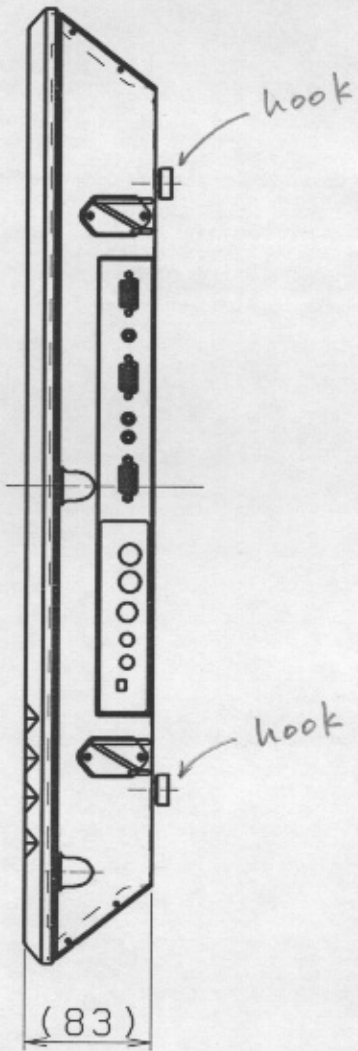
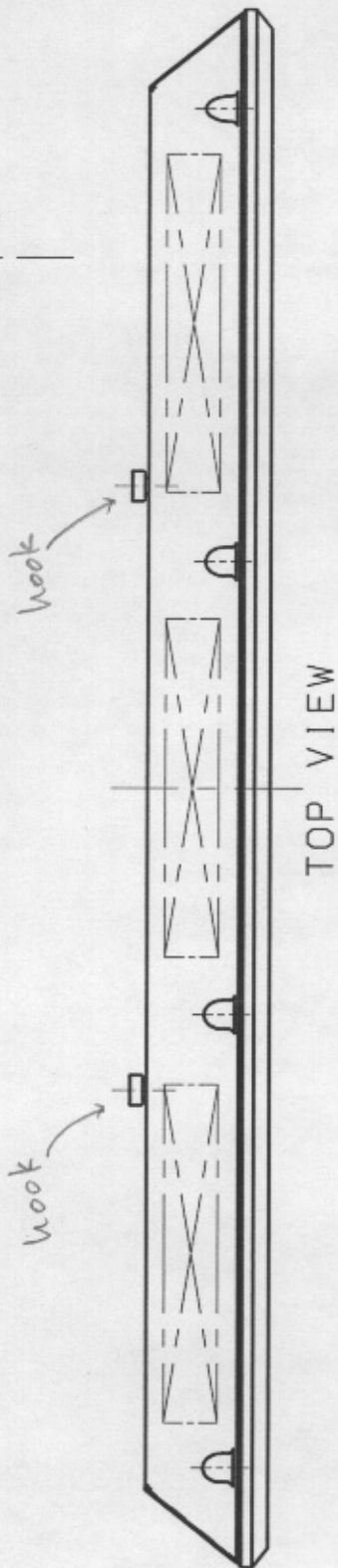
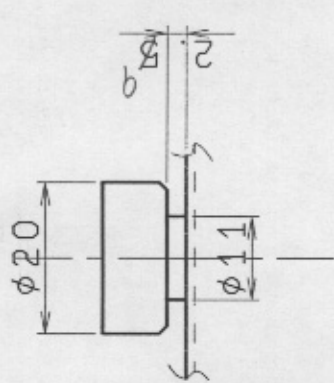


FRONT VIEW

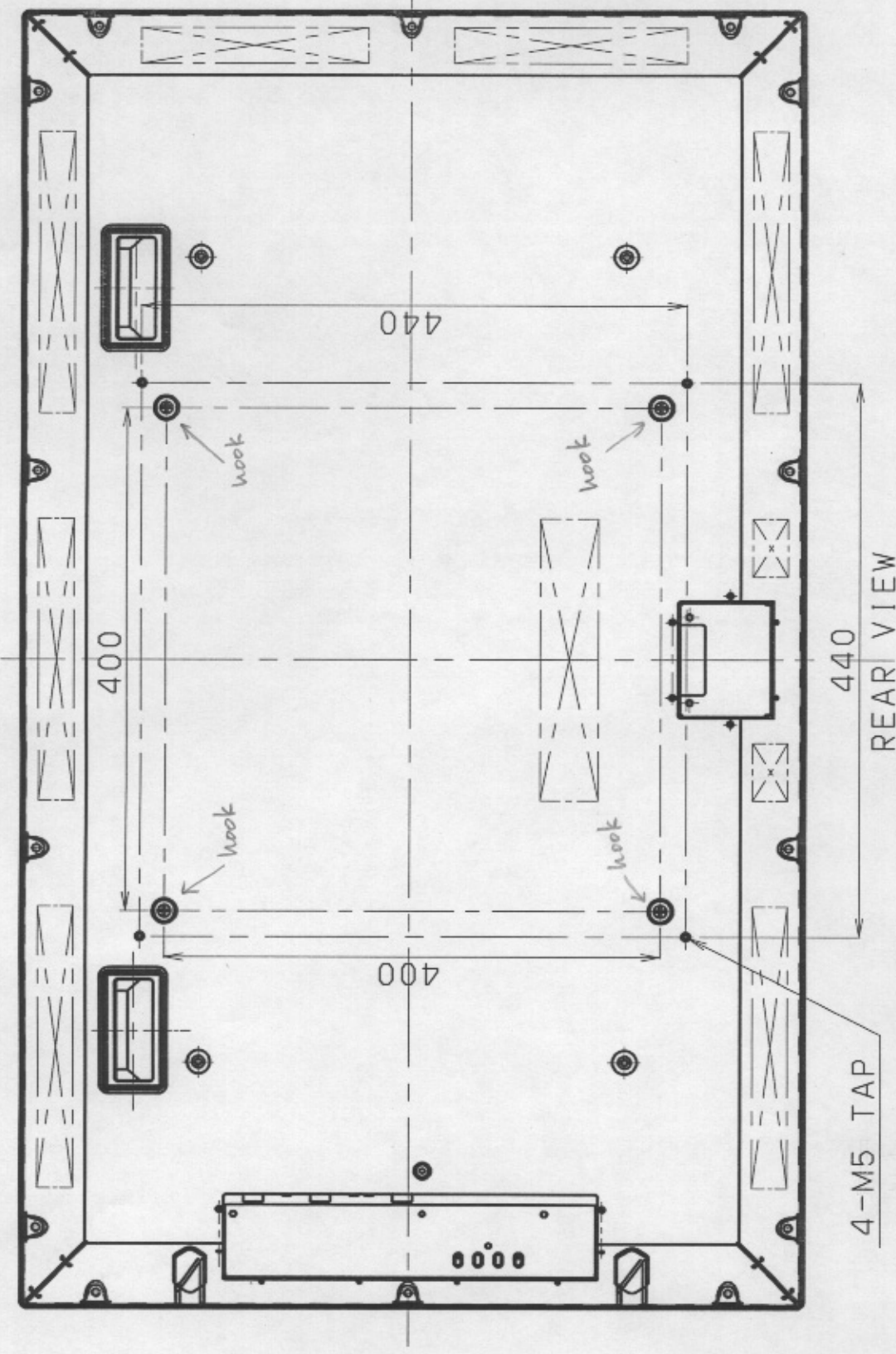
PFH-42B1



SIDE VIEW



TOP VIEW



REAR VIEW

440

400

hook

hook

hook

hook

4-M5 TAP

These 4 screw holes are for to fix the monitor after hooking it on a stand or any mount. Please always use the 4 hooks to mount the monitor. Using only the screws is not at all enough to support the monitor.

For your reference...

5/5

Our Temporary Stand.

(NOT SU-42B)

