

# SONY®

PLASMA  
MONITORS

PRO

## PFM-32C1

- 32-inch\*, 16:9 widescreen flat panel display
- Real Digital System for true image reproduction
- High-definition flat panel provides clear pictures
- Slim, sleek styling
- Optional speakers with high-quality digital audio amplifier

*\* Viewable area, measured diagonally.*



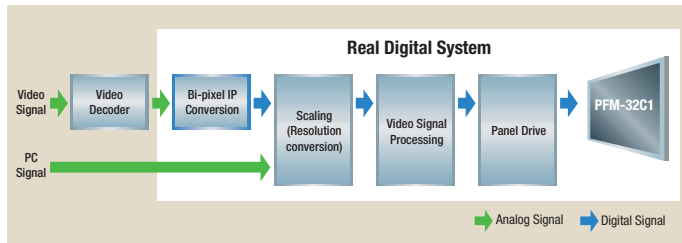
*Shown with optional speakers attached.*

# High quality, high style and high flexibility combined **Sony PFM-32C1**

## Brilliant Picture Quality

### Real Digital System

With Sony's unique digital signal processing technology, the Real Digital System, all signals are both input and processed digitally to give true image reproduction. A new bi-pixel I/P conversion circuit, developed exclusively for Sony flat panel displays, converts interlace signals to progressive images of effectively higher definition, and for film-originated sources, the Cinema Drive function (3-2 pull down technology) is incorporated to help reproduce scene movement more naturally.



### High-resolution Flat Panel

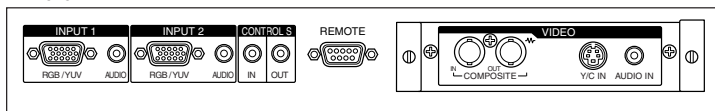
The PFM-32C1 uses a high-resolution flat panel with 1024 x 852 pixels that, together with the Real Digital System, provides high quality, smooth images across the screen. The anti-reflective coating on the glass panel minimizes light reflection to maintain picture contrast.

## Specifications

Picture Performance		
Panel	Resolution	1024 x 852 pixels
	Pixel pitch	0.84 x 0.39 mm
	Active area (W/H)	715.68 x 399.36 mm
	Viewable picture area	32-inch/820 mm (diagonal)
	Driver	8-bit RGB
	Colors	16.8 million colors simultaneously
	Type	AC-type Plasma Display Panel with anti-reflection screen
Color system		
NTSC, PAL, SECAM, NTSC4.43, PAL-M, PAL 60		
Sampling rate		
13.5 to 140 MHz		
Input/Output		
INPUT1/INPUT2		
RGB	0.714 Vp-p/non-composite, 1.0 Vp-p/composite, 75 Ω	
YUV	0.7 Vp-p/non-composite (U/M), 1.0 Vp-p/composite (Y), 75 Ω	
AUDIO	Stereo mini jack, 500 mV rms, high impedance	
VIDEO*	COMPOSITE IN	BNC, 1.0 Vp-p ±2 dB sync negative, 75 Ω automatic termination
	Y/C IN	Mini DIN 4-pin
	Y	1.0 Vp-p ±2 dB sync negative, 75 Ω
	C	0.286 Vp-p ±2 dB sync negative (NTSC), 75 Ω
		0.3 Vp-p ±2 dB sync negative (PAL), 75 Ω
AUDIO IN	Stereo mini jack, 500 mV rms, high impedance	
COMPOSITE OUT	Loop-through BNC	
CONTROL S IN/OUT		
Stereo mini jack, 5.0 Vp-p		
REMOTE (RS-232C)		
D-sub 9-pin		
SPEAKER OUT (L/R)		
7 W + 7 W (impedance: 6 Ω)		

### Connector Panel

PFM-32C1



## Versatile and Stylish

With a simple yet sophisticated appearance, the PFM-32C1 offers a stylish and impactful way to convey a message. With excellent installation flexibility, this slim, lightweight display provides large, superb quality images in minimal space.

## Multiple Inputs with High-performance Scan Converter

The PFM-32C1 accepts a wide variety of signal sources, ranging from standard composite video to HDTV, DTV and RGB computer signals. A built-in high-performance scan converter offers optimum image quality whatever the signal format, providing accurate pixel-by-pixel image reproduction.

## Other Features

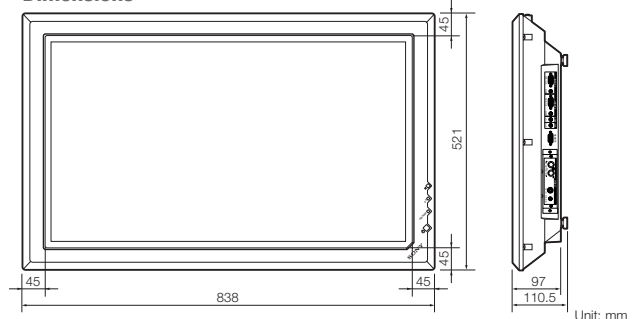
- High-quality digital audio amplifier and an optional speaker system
- Picture Mode function – three user presets and two fixed sets of parameters
- Aspect ratios of Wide Zoom, Letter Box Zoom, Restore, Subtitle or Normal 4:3 selectable
- Size control and Shift control
- Picture Zoom
- 24 hour on/off timer and sleep function
- Power saving function
- Screen saver functions – Picture Orbiting and Picture Inversion
- Closed Caption decoder
- Worldwide power supply range



General	
Power requirements	AC 100 to 240 V, 50/60 Hz, 3.2 to 1.6 A
Power consumption	270 W
Operating temperature	32 to 95 °F (0 to 35 °C)
Storage temperature	14 to 104 °F (-10 to 40 °C)
Humidity	20 to 90 %, no condensation
Dimensions* (W/H/D)	33 x 20 5/8 x 3 7/8 inches (838 x 521 x 97 mm)
Weight	48 lb 8 oz (22 kg)
Supplied Accessories	
AC Power Cord, AC Plug Holder (2), Remote Commander RM-971, AA size Battery (2), Cable Holder A (2), Cable Holder B (4), Operating Instructions	
Optional Accessories	
Display Stand SU-P32C, Speaker System SS-SP10A	
Regulation Compliance	
UL1950, CSA No.950 (c-UL), CE LVD (EN60950), Dentori Otsu, FCC Class B, IC Class B, VCCI Class B, CE EMC (EN55022 Class-B, EN55024, EN61000-3-2, EN61000-3-3), C-Tick (AS/NZS 3548/95, AS/NZS 4252.1), CCIB, JEIDA, CB, KIL, MIC	

\* Excluding protruding parts.

## Dimensions



# SONY®

Sony Electronics Inc.  
One Sony Drive  
Park Ridge, NJ 07656  
www.sony.com/displaysystems

©2002 Sony Electronics Inc. All rights reserved.  
Reproduction in whole or in part without permission is prohibited.  
Features and specifications are subject to change without notice.  
All non-metric weights and measures are approximate.  
Sony and PlasmaPro are trademarks of Sony.  
Simulated picture on monitor.