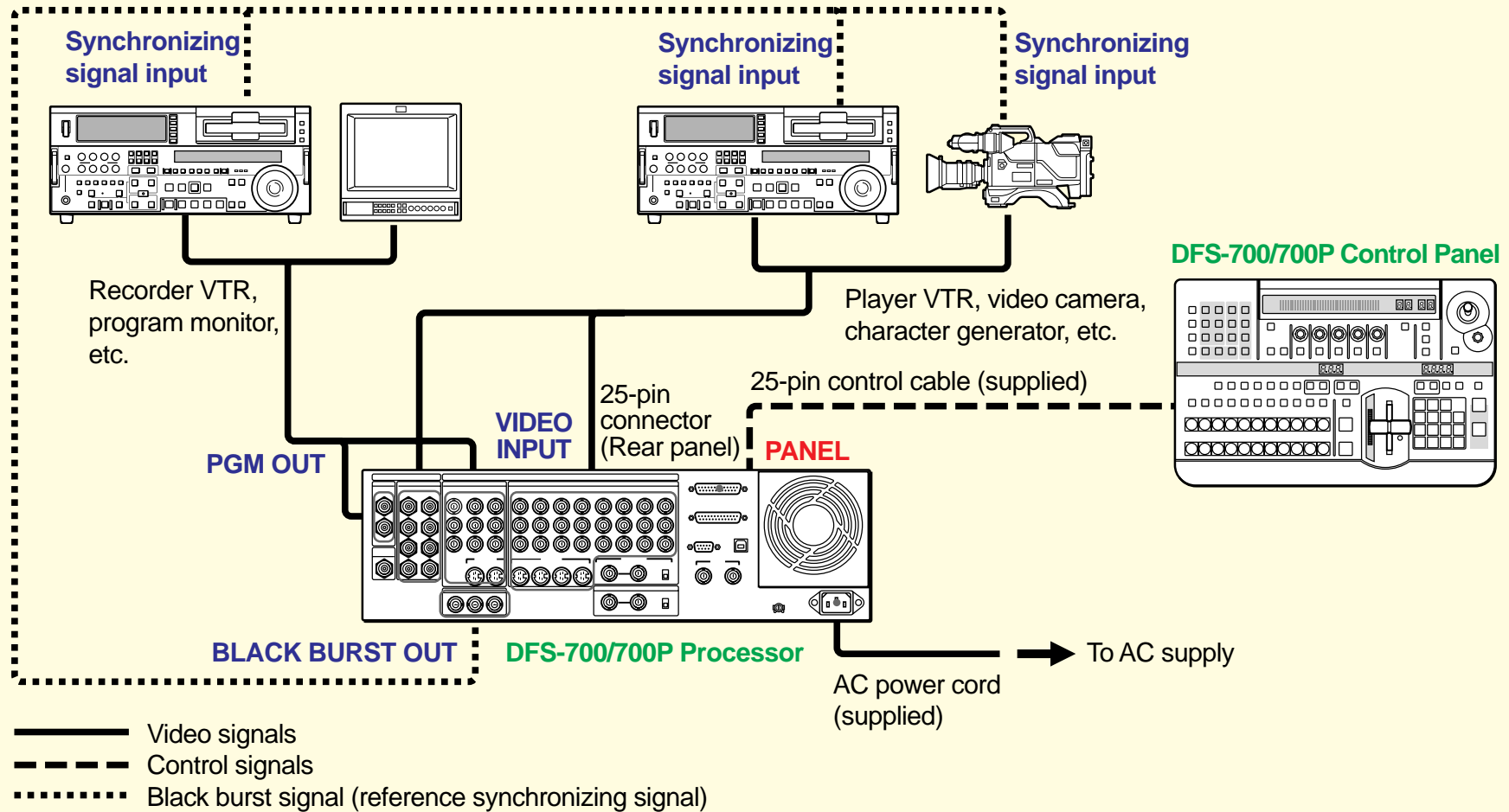


System Diagrams

Basic System Connections



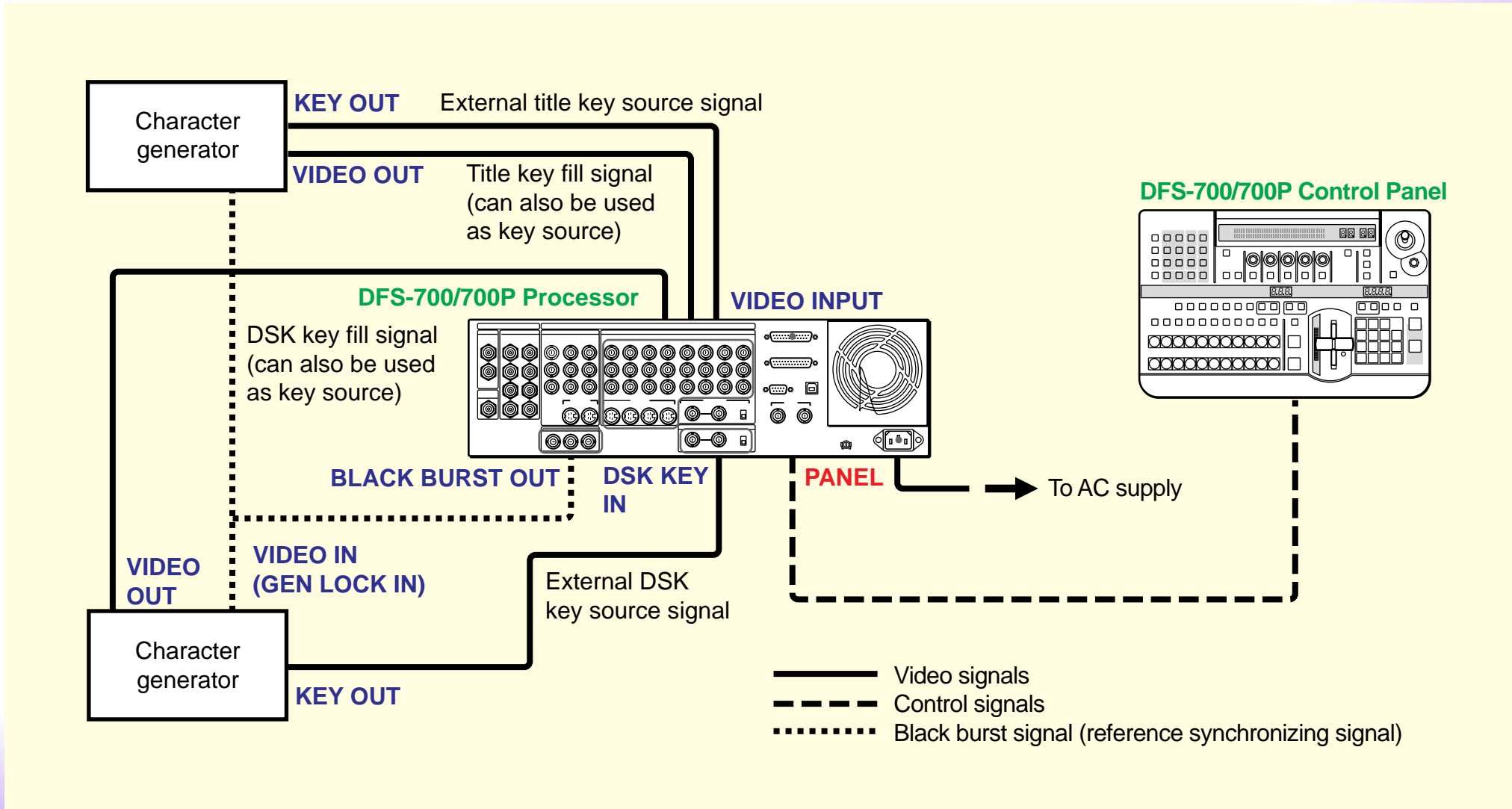
REAR PANEL



INDEX

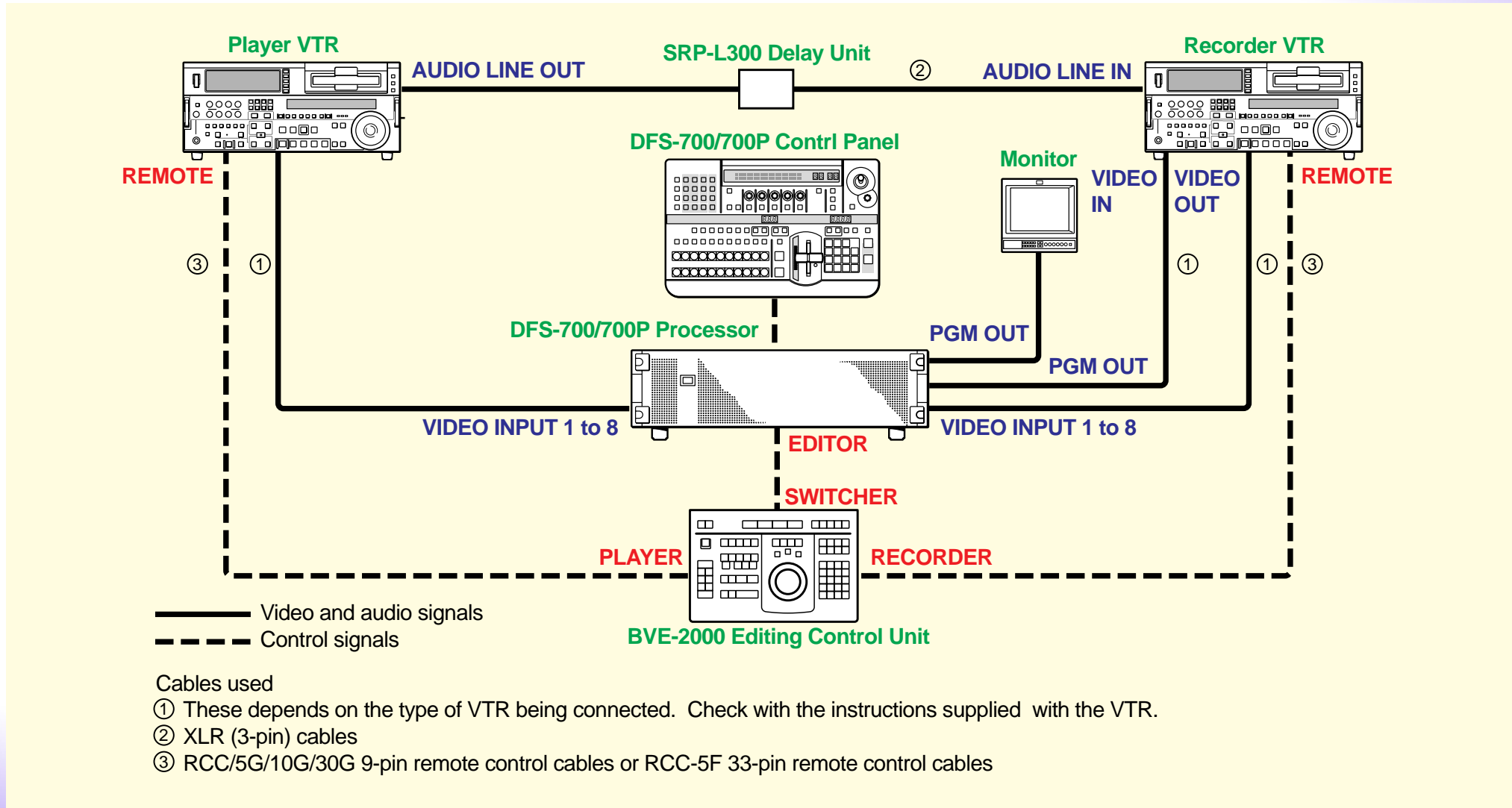
System Diagrams

Key Signal Connections



System Diagrams

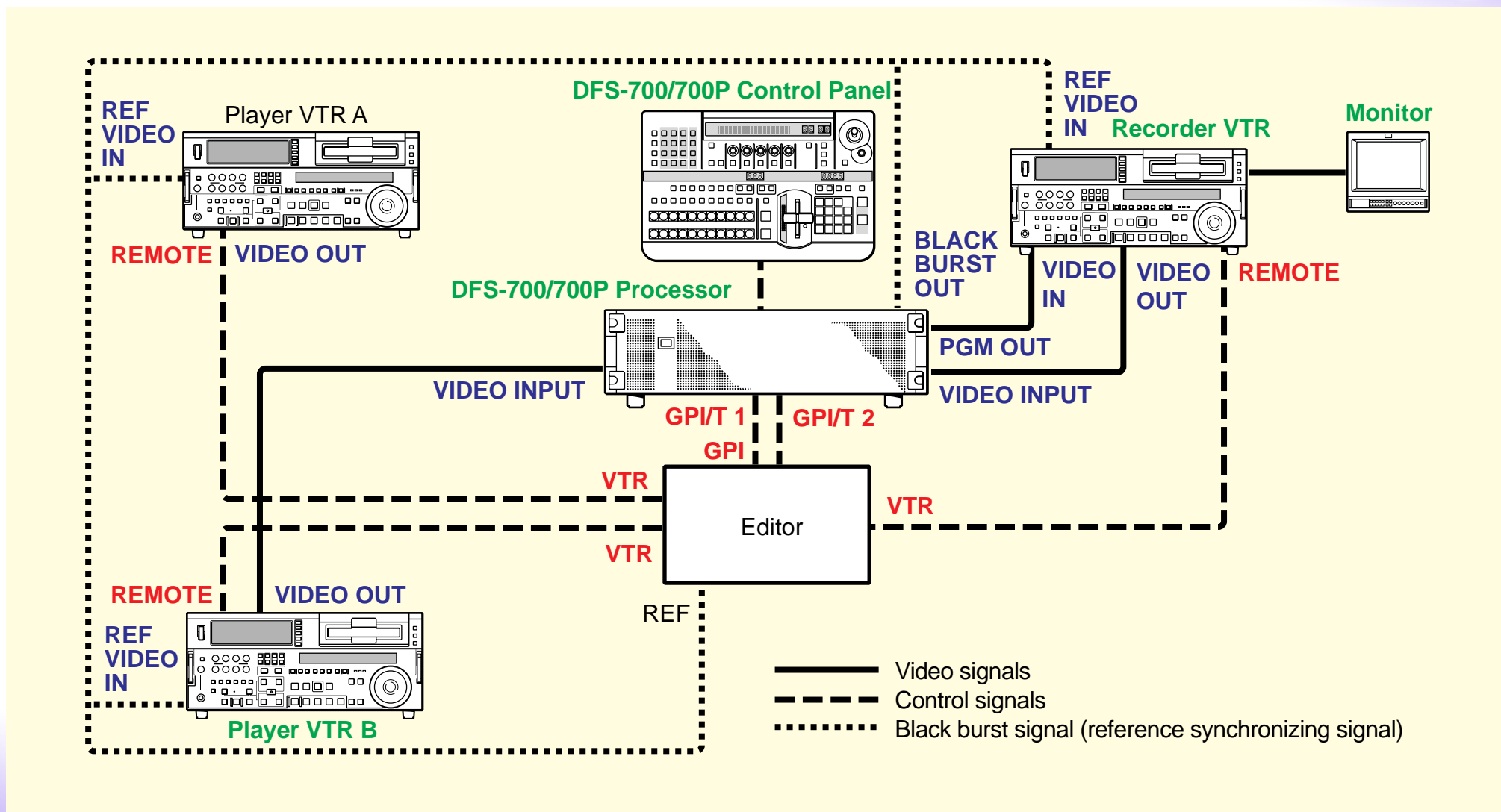
System Connections for Preread Editing



System Diagrams

Connections for an A/B Roll Editing System (1)

When using GPI signal



REAR PANEL

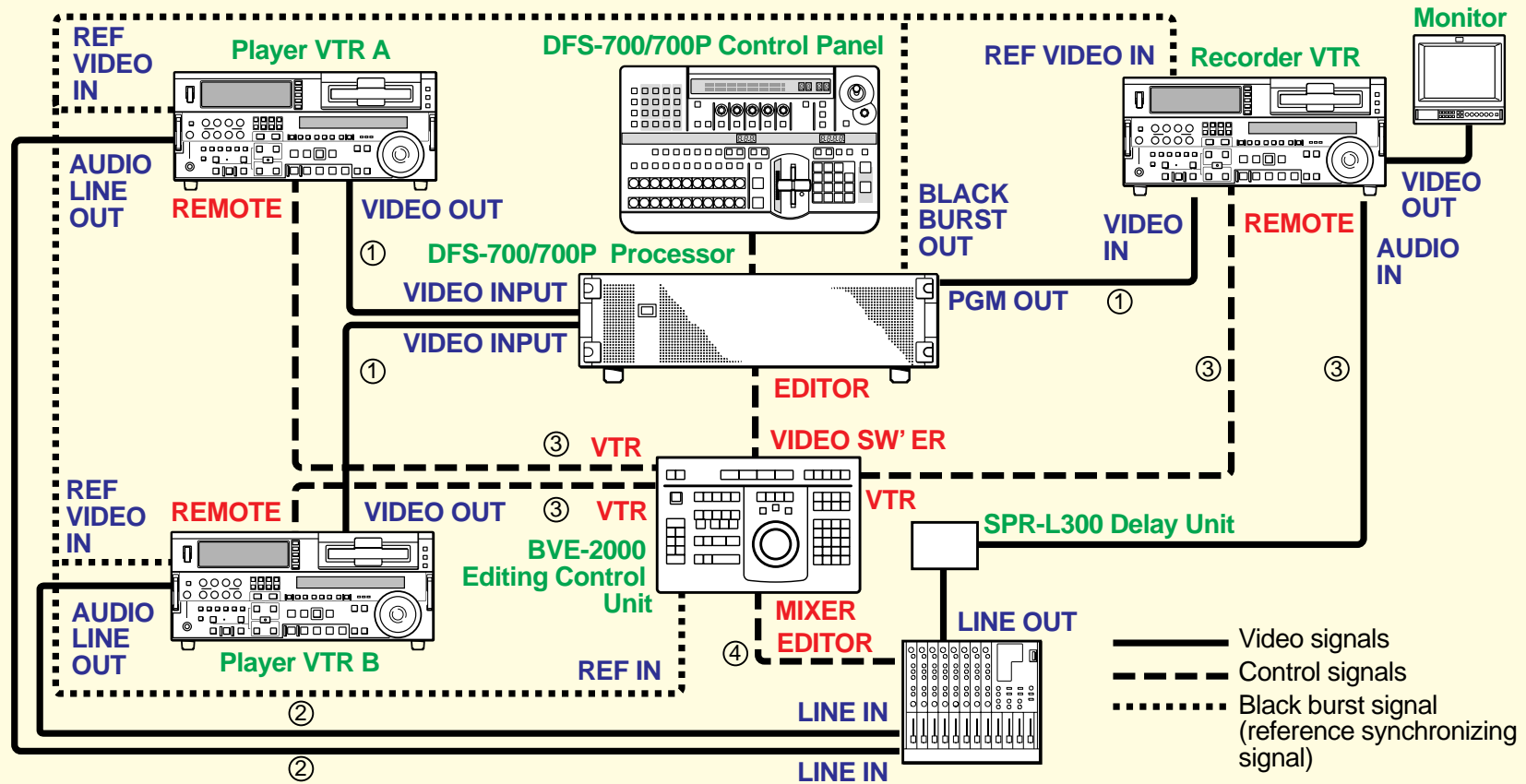


INDEX

System Diagrams

Connections for an A/B Roll Editing System (2)

When using Sony BVE-2000



Cables used

- ① These depends on the type of VTR being connected. Check with the instructions supplied with the VTR.
- ② XLR (3-pin) cables
- ③ RCC/5G/10G/30G 9-pin remote control cables or RCC-5F 33-pin remote control cables
- ④ RCC11A audio mixer control cable

REAR PANEL



INDEX