


SONY

Broadband Remote 3CCD Color Video Camera BRC-300



Preliminary

- *All in one Compact Robotic Camera*
- *High Quality Mega Pixel 3CCD*
- *Optional Output Cards for RGB, SDI, Fiber Optic*



Sony's new Broadband Remote Camera, the BRC-300, is an entire category unto itself. It's Sony's first robotic camera to offer the quality of three individual mega pixel CCDs for brilliant resolution. Specifically designed for remote video-shooting applications, the BRC-300 incorporates three 1/4.7-type Advanced HAD™ CCDs to provide high-quality, high-resolution images in both 4:3 and 16:9 modes. With its E: Flip function for desktop or ceiling mount flexibility, the BRC-300 is ideal for use in a wide range of remote video shooting application such as houses of worship, distance learning, corporate training, and cable TV broadcasting.

*Sony's Brand-New
Broadband Remote 3CCD
Pan/Tilt/Zoom Camera -
Opens New Possibilities*

The following remote shooting markets are targeted:

- Worship shooting (House of worship)
- Distance learning (University)
- Corporate training (Corporate office)
- High-end video conferencing (Board room)
- Event shooting (Auditorium, Event hall)
- Broadcasting (CATV studio)



FEATURES

- 1.07 Mega Pixel 3CCD
- 4:3 / 16:9 Aspect Selectable (16:9 Precision Technology)
- Built-in Auto Focus 48x Zoom Lens
- Wide-Range, High Accuracy Pan/Tilt
 - Pan angle: -170 ° to +170 °
 - Tilt angle: -30 ° to +90 °
 - Max. pan/tilt speed: 60 °/s
 - Min. pan/tilt speed: 0.5 °/s
- Ceiling-Mount or Desktop Installation
- Optional Interface Card Slot
- EXT SYNC Input
- RS-232C or RS-422 Serial Control (VISCA™ Command)
- Daisy Chain Capability (Up to Seven Cameras)
- Six-Position Preset
- Multi-Function IR Remote Commander Unit

OPTIONAL ACCESSORIES

**Optical Multiplex Unit
BRU-300 / BRU-300P**



**Remote Control Unit
RM-BR300**



**Optical Fiber Cable
CCFC-M100**



**Analog RGB/Component Card
BRBK-301**



**Wide Conversion Lens
VCL-HG0737X**



**RGB, VBS Cable
CCMC-9DS**



**SDI Card
BRBK-302**



**RGB, Y/C Cable
CCXC-9DBS**



**Optical Multiplex Card
BRBK-303**



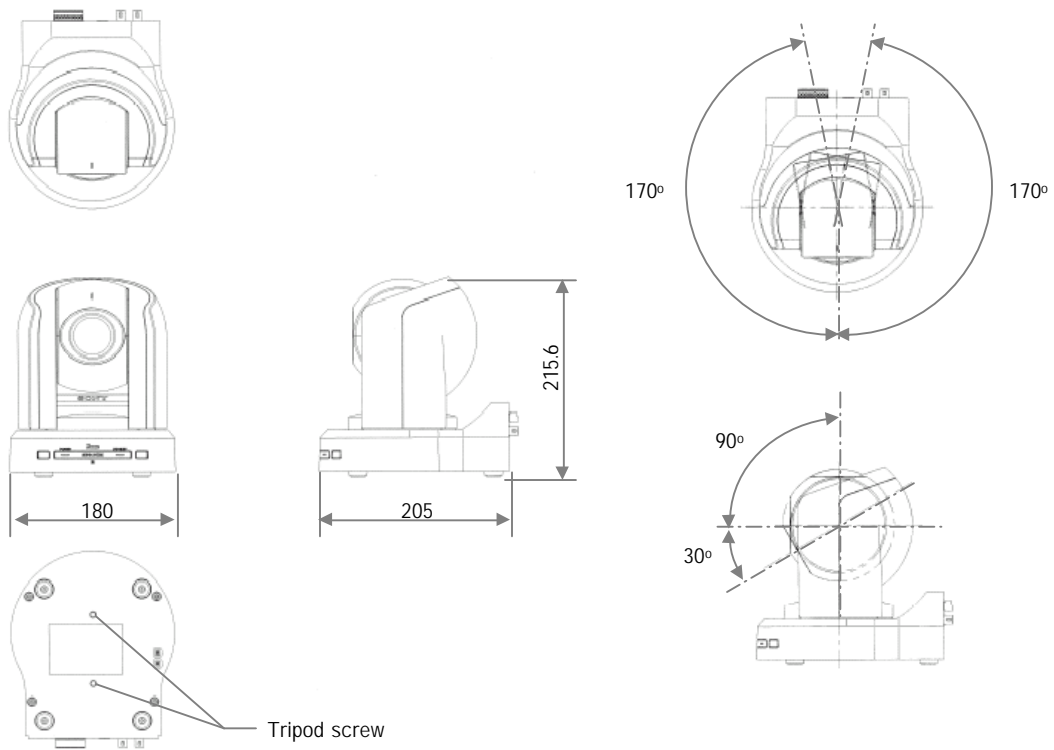
SPECIFICATIONS

3CCD Color Video Camera BRC-300 / BRC-300P

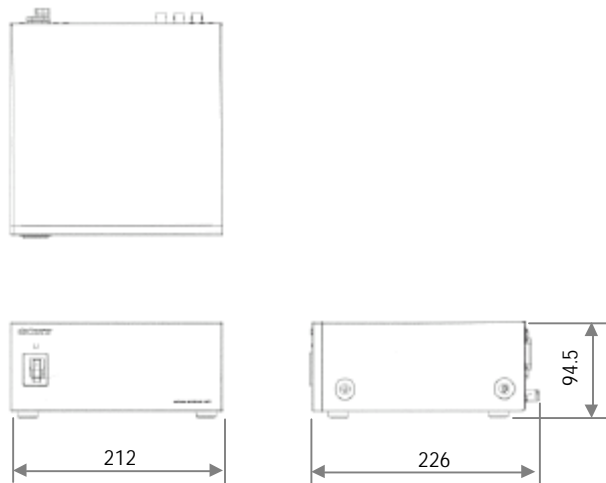
Imager	Three 1/4.7 type IT Advanced HAD CCD (x3), 1070000pixels (gross)
Effective pixels	NTSC: 768 (H) x 494 (V), PAL: 752 (H) x 582 (V)
Signal Systems	NTSC / PAL
Horizontal resolution	600 TV lines (4:3)
Synchronization	INT/VBS
Angle of view (H)	4:3 mode: 3.3degrees (tele end) to 37.8degrees (wide end) 16:9 mode: 4.0degrees (tele end) to 45.4degrees (wide end)
Minimum object distance	10mm (wide end), 800mm (tele end)
Pan/Tilt angle	+/-170degrees (pan), +90degrees/-30degrees (tilt)
Pan/Tilt speed	0.25 degrees/sec to 60 degrees/sec (pan/tilt)
Minimum illumination	7 lx at F1.6
Shutter speed	NTSC: 1/10000 to 1/4 sec, PAL: 1/10000 to 1/3 sec
Gain	Auto/Manual (-3 to 18dB, 3dB steps) switchable
White balance	Auto, Indoor, Outdoor, One-push WB, Manual
Position preset	6 positions
Analog output	VBS (BNC,), Y/C (4pin Mini DIN)
Camera control	RS-232C (VISCA) / RS-422 (VISCA)
Back-light compensation	On / Off
Operating temperature	0degrees to 40degrees (32°F to 104°F)
Storage temperature	-20degrees to 60degrees (-4°F to 140°F)
Power requirement	12V DC
Power consumption	21.6W
Dimensions (W x H x D)	180 x 205 x 211 (2 ⁷ / ₈ x 8 ¹ / ₁ x 8 ³ / ₈ inches)

DIMENSIONS

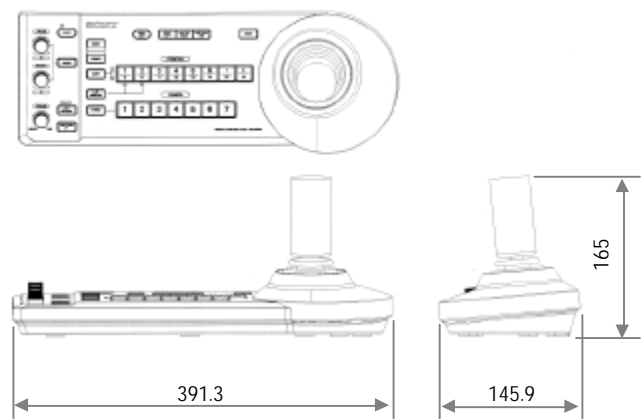
BRC-300 / BRC-300P



BRU-300 / BRU-300P



RM-BR300



Distributed by

2004 Sony Corporation. All rights reserved.
 Reproduction in whole or in part without written permission is prohibited.
 Design, features, and specifications are subject to change without notice.
 All non-metric weights and measurements are approximate.
 Sony, Super HAD CCD, VISCA and Remote Commander are trademarks
 of Sony Corporation.