

SONY®

MOTORIZED HIGH SPEED DOME CAMERA SYSTEM

UNI-D12SI/ UNI-D12FI SERIES

**MOTORIZED
HIGH SPEED DOME
CAMERA SYSTEM**

- UNI-D12SI: 6" indoor type, surface mount w/Tinted lower dome
- UNI-D12FI: 6" indoor type, flush mount w/Tinted lower dome
- Sony camera module w/integrated 12X optical zoom
- 1/3" Super HAD™ CCD sensor for excellent low light performance
- More than 460 TV lines of horizontal resolution
- 360° continuous pan
- Integrated RS-422 receiver for twisted pair control
- Quick release mechanism for easy installation or service
- Variable speed manual control via UNI-TCTL1, from 1° to 80° per second
- 32 presets at speeds of up to 400° per second
- UniTour™ Camera Operation
- 1 lux color sensitivity



UniDome



MOTORIZED HIGH SPEED DOME CAMERA SYSTEM UNI-D12SI/UNI-D12FI SERIES

UNIDOME™ MOTORIZED DOME CAMERAS AND ACCESSORIES.

UNI-D12SI and UNI-D12FI are motorized high speed dome camera systems. They incorporate a 12x zoom, high resolution, and high sensitivity auto-focus color camera with a pan and tilt assembly that allows 360° continuous pan with a built in receiver. The result is a surveillance dome camera system that can be configured to perfectly fit your needs.

- Integrated high-speed dome system-ready to install
- Indoor Flush and Pendant models
- Auto-focus camera with 12x optical zoom lens
- 360° continuous pan, 90° tilt
- Pan and tilt speeds up to 400° per second
- Quick release mechanism with safety catch
- Twisted pair control
- Nonvolatile memory
- 32 programmable presets
- 16 preset titles

UNI-TR1 DEVICE INTERFACE MODULE



- Interface to HSR-2, VCR and Multiplexer
- 9 VDC / 12 VAC power
- DIP switch addressable
- One unit required for each device

UNI-DD1 RS-422 DATA DISTRIBUTION UNIT

- RS-422 data distributor
- Required when data signal is routed in star configuration
- 1 input X 16 outputs
- 9 VAC / 12 VDC input power



UNI-APM1 POLE MOUNT ADAPTOR WITH 30" STRAPS



- Designed for installing Domes on round utility poles
- Mates with wall-mount bracket
- Can also be used to mount outdoor power supply
- Heavy-duty aluminum construction
- Install with bolts or metal straps
- Includes mounting hardware for wall-mount bracket
- Includes stainless steel straps

UNI-SM1 SWING ARM MOUNT, OUTDOOR

- Designed for mounting UniDome on roof parapet
- Extends dome 35 inches from wall
- Allows full 360° roof top viewing
- All aluminum construction
- Swivel base for safe dome access
- Built-in cable junction box
- Pre-wired for easy installation



UNI-ATBKI T-BAR SUPPORT KIT FOR DROPPED CEILINGS, FLUSH MOUNT INDOOR

- Suspended ceiling installation kit for flush-mount domes
- Used with existing ceiling tile
- Distributes weight to T-bar supports
- Mounting hardware included



UNI-AWM1 WALL MOUNT BRACKET



- Easy-to-install wall mount
- Attractive ABS construction
- Supports up to 35lbs.
- Removable cover for easy cable connections
- Mates with pole, roof, and corner-mount adapters

UNI-APS1 INDOOR POWER SUPPLY - 8 ISOLATED 24 VAC, 1AMP TAPS FOR INDOOR MODELS



- Powers eight indoor UniDome cameras
- Compact design
- 115/230 VAC input
- Eight isolated 24 VAC, 1 amp outputs*
- Resettable fuse for each output
- Rack-mount option

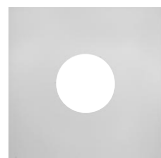
*Note-Do not use for UniDomes with heater-and-fan option.

UNI-AFCK1 6" CEILING MOUNT RING FOR HARD DROP CEILINGS, FLUSH MOUNT INDOOR

- Designed for installing flush-mount domes in non-removable false ceilings
- Allows complete installation from below ceiling
- Mounting hardware included



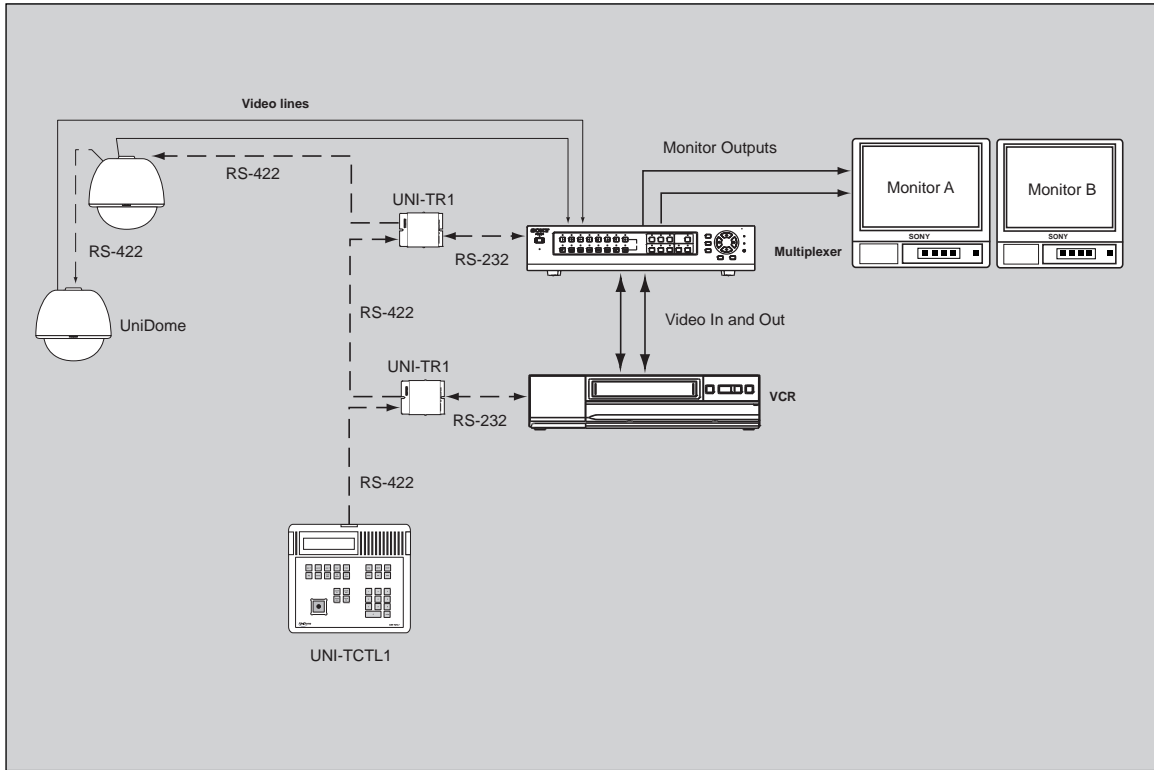
NI-ADCK1 6" WHITE DROPPED CEILING PANEL (2' X 2'), FLUSH MOUNT INDOOR



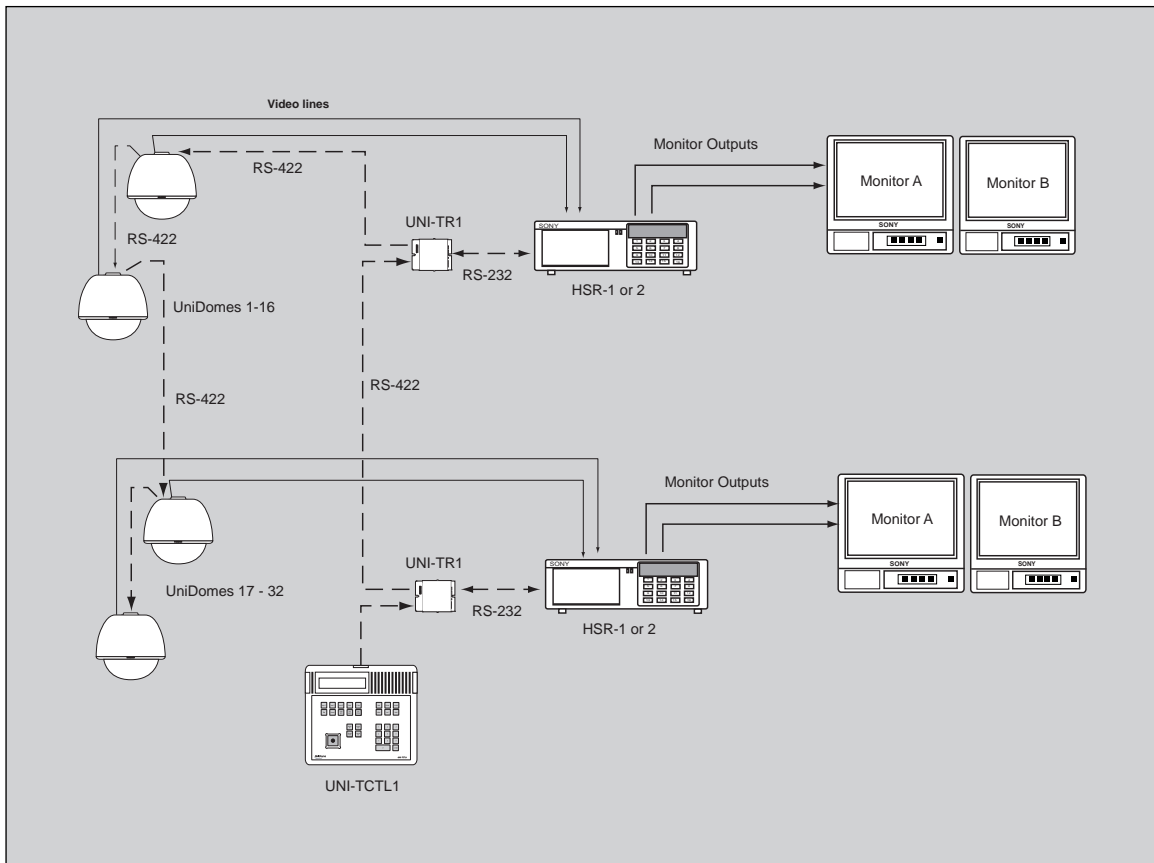
- Designed for installing flush-mount domes in suspended ceilings
- Outside dimensions 24" X 24"
- Mounting holes predrilled
- 24 gauge steel construction
- White enamel finish
- Mounting hardware included
- Paintable

INSTALLATION EXAMPLES

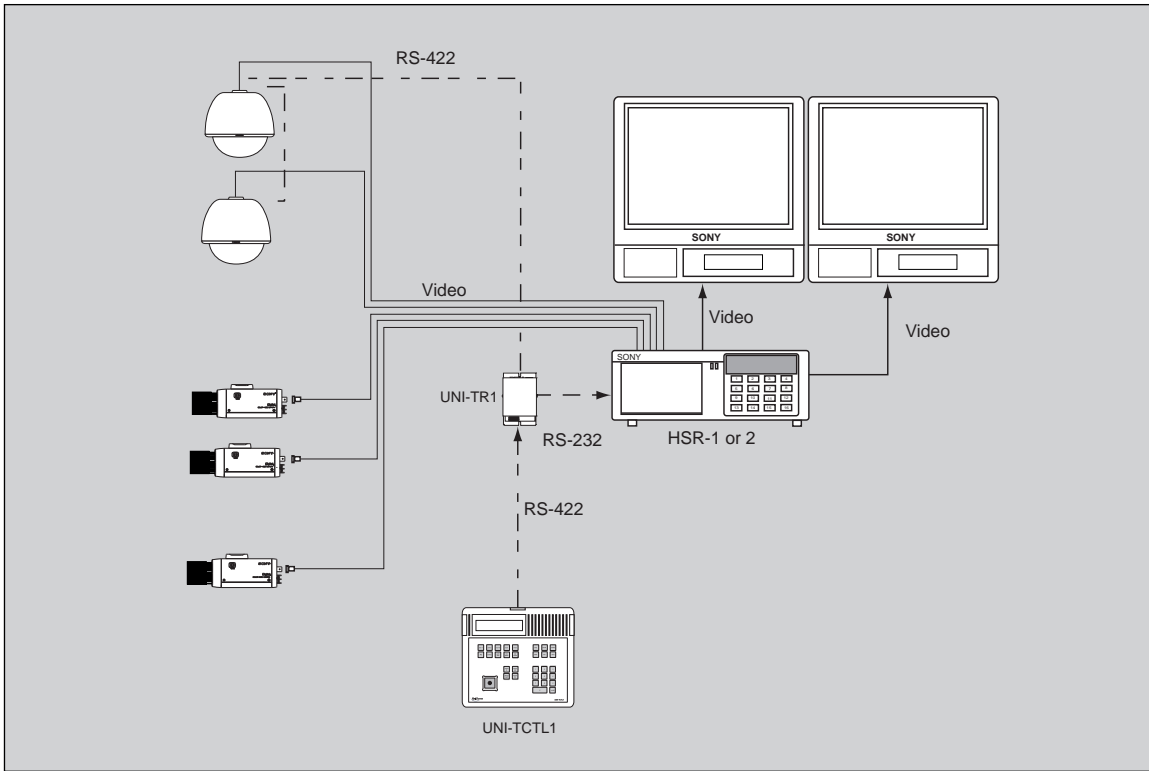
UniDome system with multiplexer and VCR control



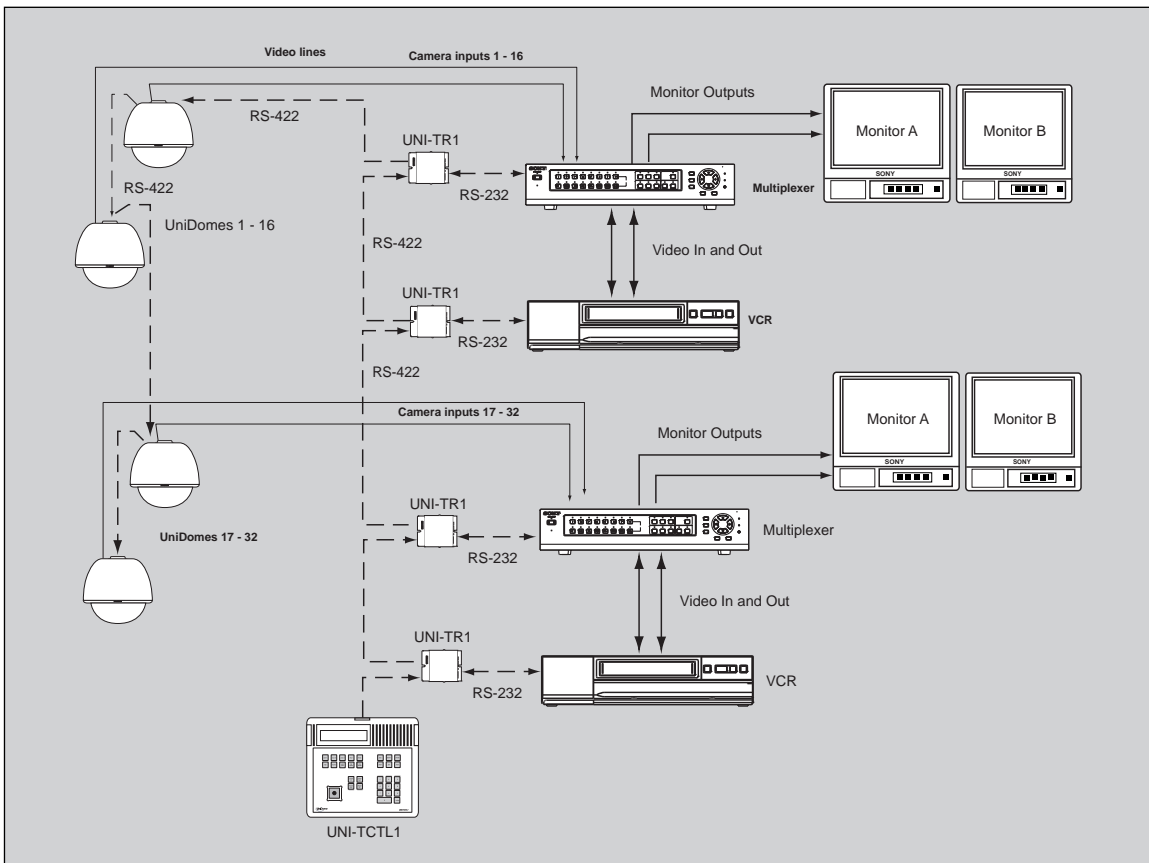
UniDome system with multiple HSR units



UniDome system with HSR control



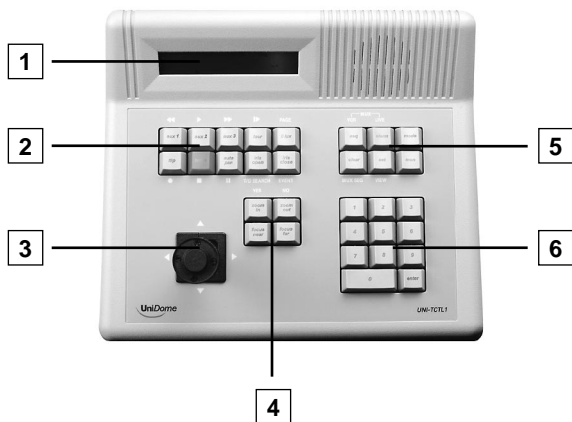
UniDome system with multiple multiplexer and VCR controls



UNI-D12SI/ UNI-D12FI SERIES

MOTORIZED HIGH SPEED DOME CAMERA SYSTEM

UNI-TCTL1 Controller



- 1 LCD Display Window
- 2 Overlay: HSR & multiplexer/VCR function keys
Normal: UniDome function keys
- 3 3-Axis joystick
- 4 UniDome lens controls: Zoom and Focus
Overlay: Yes/No for HSR prompt responses
- 5 Mode, preset and monitor keys
Overlay: Multiplexer/VCR select keys, multi-screen views
- 6 Site select, call up keys

UNIDOME VARIABLE SPEED CONTROLLER KEYPAD WITH 3-AXIS JOYSTICK, UNI-TCTL1

- Pan/Tilt Control with 3 Axis Joystick Controls up to 511 UniDome Cameras
- Mode Functions allow Control of Sony Multiplexers and Time Lapse VCRs via Optional UNI-TR1 Device Interface Module
- Allows Remote Control of Sony HSR-1/1 and HSR-2 Digital Recorders via Optional UNI-TR1 Device Interface Module
- Multi-Screen View Mode Selections for Sony Multiplexers and HSR Series Recorders
- Variable Speed Control of UniDome Cameras
- Liquid Crystal Display for Easy Setup and Operation
- Programmable Nonvolatile Memory

SPECIFICATIONS

UNI-D12SI/UNI-D12FI

- Imaging device:** 1/3" Super HAD™ CCD Sensor
- Picture elements:** 768 (H) x 494 (V)
- Signal format:** NTSC
- Sync system:** Internal/External
- Horizontal resolution:** Better than 460 lines
- Lens:** 12X Zoom f=5.4 - 64.8mm; F1.8 to F2.7, auto iris
- Min. sensitivity:** 1 lux (F1.8) at 50 IRE
- S/N:** Better than 48dB
- White balance:** Auto
- Video output:** Composite 1.0Vp-p, sync negative
- Input voltage:** AC 24V, 60Hz
- Power consumption:** 16VA for both models
- Control signal:** RS-422, 4800 baud
- Connectors:** VIDEO: BNC x 1
CONTROL: Terminal strip
POWER: Terminal strip
- Weight:** 4.9 lbs
- Construction:** PAN/TILT: 0.125" aluminum frame
HOUSING: ABS plastic
LOWER DOME: 0.06" Acrylic
- Finish:** INDOOR: Black
OUTDOOR: Black Interior, white exterior
PAN/TILT: Black anodized
CAMERA: Black
DOME: Tinted for both models
- Pan Travel:** 360 degrees
- Tilt Travel:** 90 degrees
- Speed:** MANUAL: 1 - 80° per second, Variable
PRESET: Up to 400° per second, 200° per second average point to point
- Optical light loss:** Clear dome: Negligible
Tinted: 1/2 f-stop
- Standard Accessories:** UNI-SD6: Tinted lower dome
- Optional Accessories:** UNI-D18S0: Clear lower dome
UNI-TCTL1: Variable speed keypad w/ 3 axis joystick
UNI-TR1: Interface module (RS-422 to RS-232C) for HSR-1/2; YS-DX516/416, SVT-40E/168E/168/S480ES
UNI-AWM1: Wall mount bracket
UNI-APS11: Indoor, 24V AC x 8 power supply
UNI-AFCK1: Hard ceiling ring for indoor installations
UNI-ADCK1: Drop ceiling panel
UNI-ATBK1: T-bar ceiling kit
UNI-DD1: RS-422 data distributor, 16 outputs

SONY

Sony Security Systems
Broadcast and Professional Company
1 Sony Drive
Park Ridge, New Jersey 07656-8003
TEL: (201) 358-4954 • FAX: (201) 358-4927

Printed in U.S.A. 03/01 S-UNI-D12SI/D12FI

© 2001 Sony Electronics Inc. All rights reserved.
Reproduction in whole or in part without written permission is prohibited.
Features and specifications are subject to change without notice.
All non-metric weights and measures are approximate.
Sony, Super HAD, UniDome and UniTour are registered trademarks of Sony.

