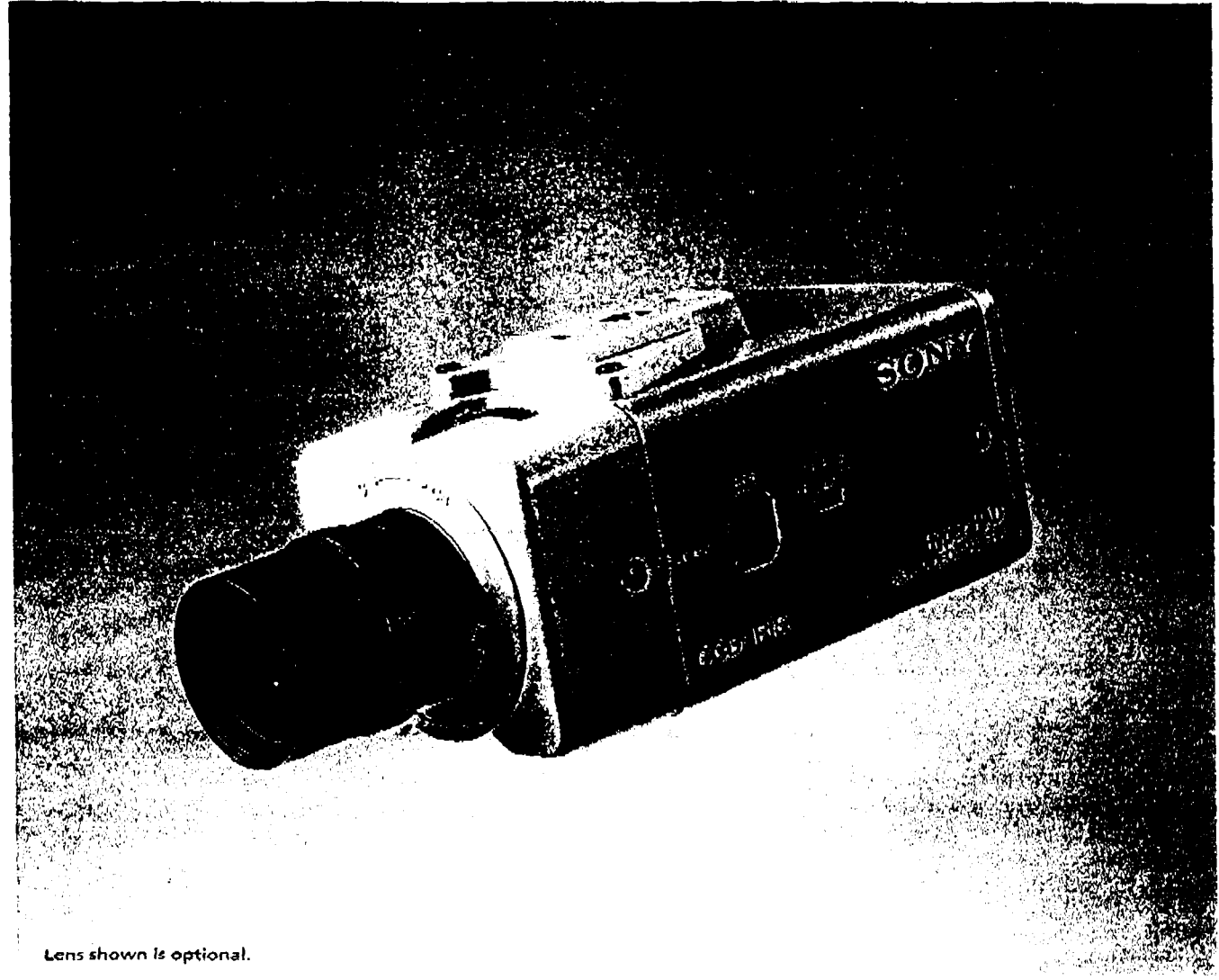


EIA

**SONY
SURVEILLANCE
SYSTEMS**

SPT-M124

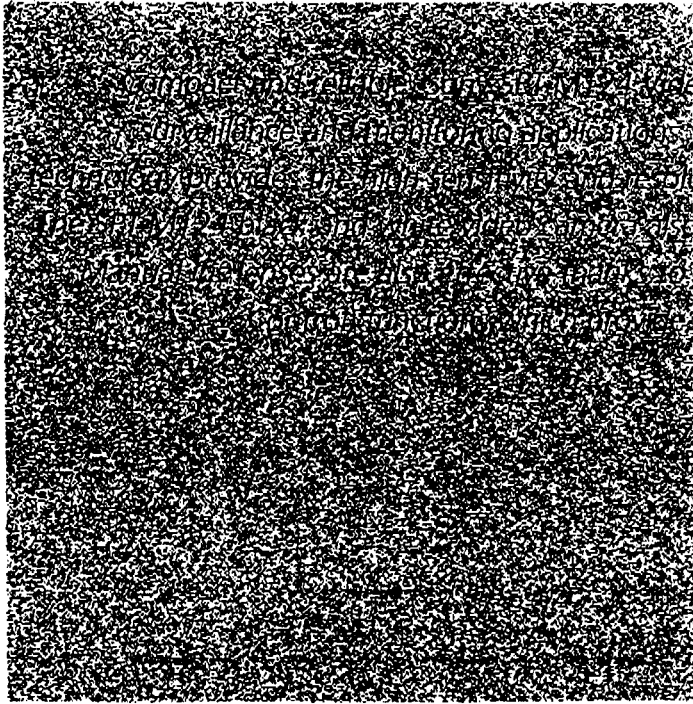
CCD Black & White Video Camera



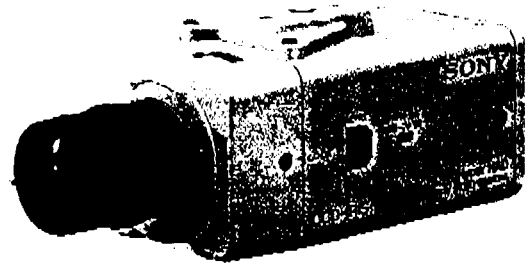
Lens shown is optional.

SONY®

Cameras For Today's Demand



Various models of Sony SPT-M124 Video Cameras are the ideal choice for many of today's applications. Sony Hyper HAD™ (Hole Accumulated Diode) CCD sensors provide the high resolution and resolution required to capture crisp, high quality images. The SPT-M124 also supports both DC and Video servo auto iris lenses. The combination of CCD IRIS™ and BLC (Back Light Compensation) provides high image quality even in adverse light conditions.



● Features

▶ Superior Picture Quality

The SPT-M124 incorporates a 1/3-inch IT (Interline Transfer) Hyper HAD CCD with more than 250,000 effective picture elements and a horizontal resolution of 380 TV lines. Sony Hyper HAD technology allows very high sensitivity with a minimum illumination of 0.1 lx at F1.2 (50 IRE), producing clear, crisp images.

▶ CCD IRIS Function

This function allows the use of a manual iris lens instead of a more costly automatic iris lens. As the illumination level of the scene changes, the camera responds by automatically reducing or increasing the exposure time of the photosensors. This is achieved by changing the electronic shutter speed of the CCD, in the range of 1/60 of a second to 1/100,000 of a second.

▶ Flexible Choice of Auto Iris Lens

An auto iris lens is often ideal for shooting in environments where illumination levels vary greatly, such as outdoors. The SPT-M124 accepts both DC servo and Video servo auto iris lenses. The auto iris lens 4-pin connector is conveniently located on the side of the camera.

▶ Backlight Compensation Function

Strong backlight can often cause the subject of the picture to be cast into shadow. The analogue Backlight Compensation (BLC) function helps to overcome this problem. The picture brightness can be adjusted to automatically allow for changes in lighting conditions. The contrast ratio can be adjusted with the BLC while the amount of overall picture brightness can be adjusted with the level control.

▶ AC Line Lock Capability

The SPT-M124 features external sync capability utilizing AC line lock. This makes camera installation and synchronization easy for both new and existing camera systems. The AC power frequency (60 Hz) is used as the vertical sync reference of the camera and there is an externally adjustable Vertical-Phase (1°-90°) control. This feature is used in multi-camera installations where automatic switching is employed, and allows for roll-free switching from camera to camera.

ing Surveillance Applications

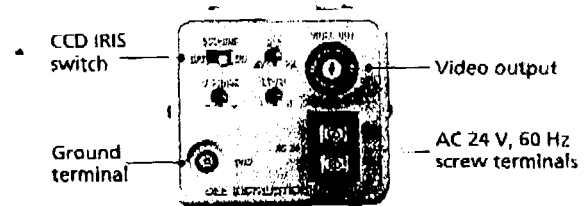
► Low Power Consumption

Power consumption of the SPT-M124 is only 2.5 W, significantly lower than previous models.

► C/CS-mount Lens Compatibility



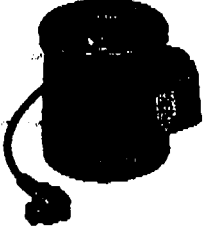
The SPT-M124 can be used with C-mount or CS-mount lenses, and precise back-focus adjustment can be easily accomplished. This broadens your choice of lenses.

Rear Panel



► Optional Accessories

Auto Iris Lenses

			
Models	VCL-4V8WEA	VCL-S02WEAP	VCL-3ADXE A*
DC/Video servo	DC	DC	DC
Mount	CS	CS	CS
Focal length	3.5 to 8.0 mm	2.8 mm	3.8 mm
Iris control	Auto	Auto	Auto
Maximum aperture ratio	1 : 1.4	1 : 1.3	1 : 0.8
Minimum object distance	0.3 m	0.2 m	0.15 m
Angle of view (horizontal)	71.4° to 33°	91°	89° (1/2 inch) 69° (1/3 inch)
Angle of view (vertical)	54.8° to 25.2°	70°	69° (1/2 inch) 52° (1/4 inch)
Filter size		M30.5 x 0.5 mm	M43 x 0.75 mm
Mass	72 g (2.5 oz)	41 g (1.4 oz)	150 g (5.3 oz)
Dimensions (dia. x H x L)	ø35 x 54 x 46 mm (1 1/16 x 2 1/4 x 1 13/16 inches)	ø37.0 x 39.8 x 33.0 mm (1 5/16 x 1 5/8 x 1 3/16 inches)	ø45.0 x 56.8 x 52.5 mm (1 13/16 x 2 1/4 x 2 1/8 inches)
Cable length	100 mm (4 inches)	310 mm (12 1/4 inches)	90 mm (3 5/8 inches)

* Aspherical auto iris lens


Mounting Bracket (for indoor use)

Model	YT-B21
Supplied accessories	Mounting screw (x 4) Operating instruction manual
Maximum load	2 kg (4 lb 6 oz)
Mass	200 g (7 oz)

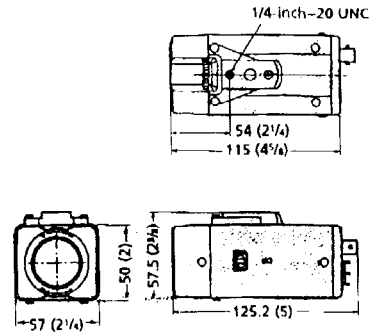


Specifications

Image device:	1/3-inch Interline Transfer Hyper HAD CCD
Picture elements:	510 (H) × 492 (V)
Sensing area:	4.4 × 3.3 mm
Signal system:	EIA
Sync system:	External with AC line lock
Phase control:	V-phase adjustment (+/-90°)
Horizontal resolution:	380 TV lines
Lens mount:	C/CS-mount adjustable
Minimum illumination:	0.06 lx at F1.2 (30 IRE, AGC ON) 0.1 lx at F1.2 (50 IRE, AGC ON) 0.4 lx at F1.2 (100 IRE, AGC ON)
Automatic Gain Control (AGC):	Always AGC ON
CCD IRIS control:	ON/OFF switchable, 1/60 to 1/100000 (second)
Backlight compensation:	Variable control
Signal-to-noise ratio:	More than 45 dB (AGC OFF)
Video out:	BNC, 1.0 Vp-p, 75 Ω, sync negative
Operating temperature:	-10 to 50°C (14 to 122°F)
Storage temperature:	-40 to 60°C (-40 to 140°F)
Power requirements:	AC 24 V, 60 Hz
Power consumption:	2.5 W
Mass:	370 g (11 oz)
Auto iris type:	DC/Video servo type

Connectors:	VIDEO OUT (BNC), AC 24 V terminals, GND		
	LENS (4-pin)	Pin	DC servo / Video servo
		1	Control (-) / Power (DC 9 V, 50 mA)
		2	Control (+) / —
		3	Drive (+) / Video (0.7 V p-p)
		4	Drive (-) (GND) / (GND)
Supplied accessories:	Lens connector, lens mount cap, operating instruction manual		

Dimensions:

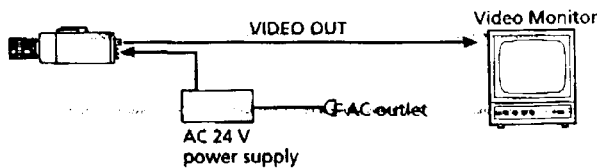


Unit: mm (inch)

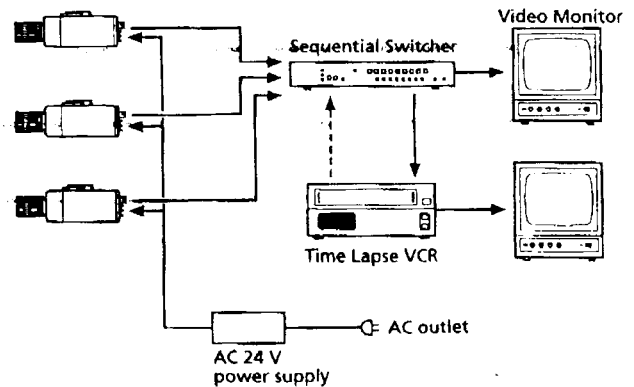
Sony is a registered trademark of Sony Corporation.
Features and specifications subject to change without notice.

System Connections

Single Camera Operation



Multiple Camera Operation



Distributed by

Sony Corporation
Printed in Japan © SONY