

Camera Adaptor

YS-W130

取扱説明書 2ページ

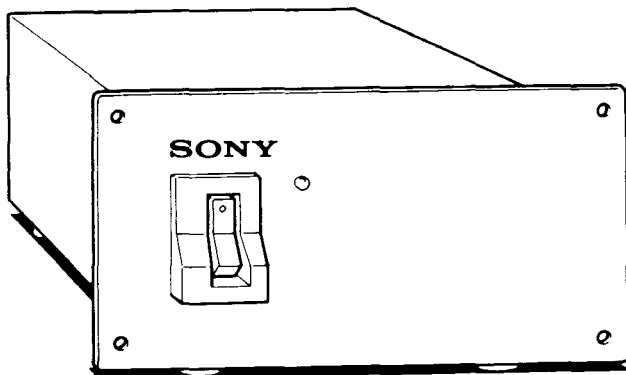
お買い上げいただき、ありがとうございます。
お使いになる前に、この取扱説明書をお読みください。
お読みになったあとは、後日お役に立つこともありますので、
必ず保存してください。

Operating Instructions page 8

Before operating the unit, please read this manual thoroughly and retain it for future reference.

Mode d'emploi page 14

Avant la mise en service de cet appareil, prière de lire attentivement ce mode d'emploi que l'on conservera pour toute référence ultérieure.



Owner's Record

The model and serial numbers are located on the bottom.
Record the serial number in the space provided below.
Refer to these numbers whenever you call upon your Sony
dealer regarding this product.

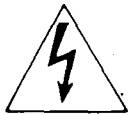

Model No. YS-W300 Serial No. _____

Table of Contents

Outline and Features.....	9
Notes on Use.....	9
Location and Function of Parts.....	10
Connections	11
Principal Specifications.....	13

WARNING

**To prevent fire or shock hazard, do not
expose the unit to rain or moisture.**

	CAUTION RISK OF ELECTRIC SHOCK DO NOT OPEN	
<p>CAUTION : TO REDUCE THE RISK OF ELECTRIC SHOCK, DO NOT REMOVE COVER (OR BACK). NO USER-SERVICEABLE PARTS INSIDE REFER SERVICING TO QUALIFIED SERVICE PERSONNEL.</p>		



This symbol is intended to alert the user to the presence of uninsulated "dangerous voltage" within the product's enclosure that may be of sufficient magnitude to constitute a risk of electric shock to persons.



This symbol is intended to alert the user to the presence of important operating and maintenance (servicing) instructions in the literature accompanying the appliance.

Outline and Features

The YS-W130 camera adaptor is connected to a Sony SSC-C350 or SSC-M350 video camera, and provides the power supply and external synchronizing signal to the camera while also transmitting the camera output video signal to a monitor.

Principal features

- Only a single 75-ohm coaxial cable connection to the camera is needed. This cable carries the power supply, synchronizing signal and video output signal.
- The unit has a built-in cable compensation circuit, which automatically switches the video signal compensation level among three values, depending on the length of the cable.
- When using a number of cameras, you can use the synchronizing video signal supplied from the first camera to synchronize all the other cameras connected in the system.

Notes on Use

Safety

Power supply

- This unit requires a 120 V AC power supply.
- Be careful not to damage the power cable by placing or dropping heavy objects on it; it is dangerous to use the unit with a damaged cable.
- If you are not using the unit for a long time, disconnect the power cable.
- Unplug the power cable holding the plug, not the cable itself.

Do not disassemble the unit

Do not remove the cover. There is a danger of electric shock from the internal parts.

Do not get foreign bodies inside the unit

Be careful not to spill water or other liquids on the unit, or to get combustible or metallic material inside the cabinet. If used with foreign matter inside, the unit is liable to fail, or be a cause of fire or electric shock.

Do not obstruct the ventilation holes

The ventilation holes are provided to prevent the unit from overheating. Be careful not to obstruct them with other units or by wrapping the unit in cloth etc. If you use the unit in a rack, ensure that there is a gap above the unit.

If a problem occurs

If the unit should malfunction or if a foreign body gets inside, disconnect the power immediately and consult your Sony dealer.

Operation, storage and care

Operating and storage locations

Avoid operating or storing the unit in the following locations.

- Extremely hot or cold places (operating temperature: – 10°C to 50°C; 14°F to 122°F)
- Damp or badly ventilated places
- Locations exposed to direct sunlight for long periods, or close to central heating units.
- Dusty places
- Locations subject to strong vibration

Do not subject the unit to strong impacts

Be careful not to drop the unit, or subject it to other shocks, which could cause it to fail.

Operating position

This unit is designed to be operated in a horizontal position. Avoid using it on its side or in a sloping position.

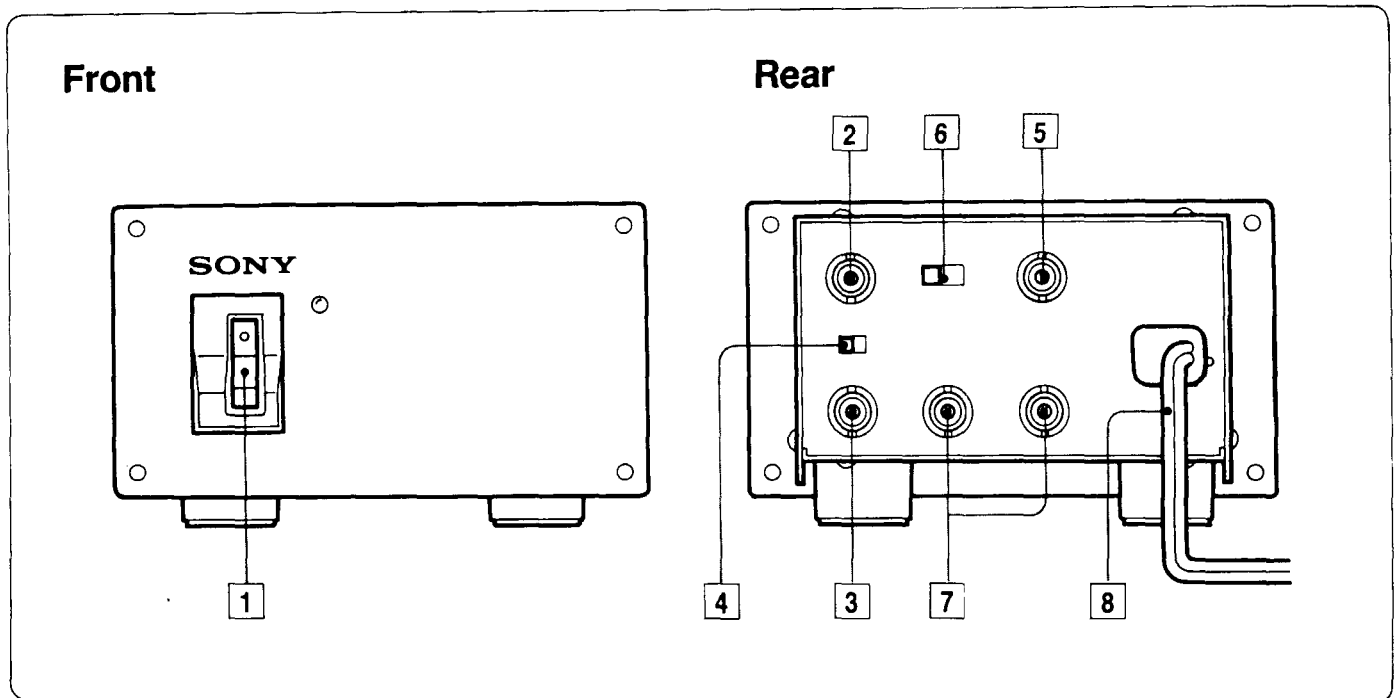
Shipping

If the unit has to be re-shipped, repack it for maximum protection in the original packaging or similar.

Cleaning

Clean the exterior of the unit with a dry soft cloth. If it is very dirty, use a cloth dampened with a small quantity of neutral detergent, and wipe dry. Avoid the use of volatile solvents such as thinners, alcohol, benzene, and insecticides. They may damage the surface finish, or destroy the indication markings.

Location and Function of Parts



1 POWER switch

This switches the power supply on and off.

2 SYNC IN connector (BNC)

Connect an external synchronizing signal (or video signal for synchronization) to this connector for camera synchronization.

3 SYNC OUT connector (BNC)

The synchronizing signal input to the SYNC IN connector [2] is output unaltered from this connector.

4 75Ω switch

This switch controls the 75-ohm termination of the SYNC IN connector.

- When using the SYNC IN connector only, set the switch to ON.
- When using the SYNC IN and SYNC OUT connectors, set the switch to OFF.

Note

If you are using neither the SYNC IN nor SYNC OUT connector, set the switch to ON.

5 CAMERA IN connector (BNC)

Connect to the DC IN.VS IN/VIDEO OUT connector of the SSC-C350 or SSC-M350 camera.

6 CABLE COMP switch

This controls the compensation for signal loss in the cable connection to the camera. Set the switch depending on the cable type and length as in the following table.

Switch setting / Cable type	1	2	3
RG-59B/U (3C-2V)	100 m (328 ft) max.	200 m (656 ft) max.	300 m (984 ft) max.
RG-6A/U (5C-2V)	160 m (524 ft) max.	330 m (1082 ft) max.	500 m (1640 ft) max.
RG-11A/U (7C-2V)	200 m (656 ft) max.	400 m (1312 ft) max.	600 m (1968 ft) max.

7 VIDEO OUT 1 and 2 connectors (BNC)

Connect to the video input connector of a video monitor. The video signal input to the CAMERA IN connector [5] is output.

8 Power cable

Connect to a 120 V AC outlet.

Notes

- If you connect a camera to this unit after switching the power on, it will not operate. Be sure to complete the connections before switching the power on.
- If you switch the power off then want to switch it back on, wait 3 or 4 seconds before turning the power switch on.

Connections

Notes on connections

- This unit will only operate when connected to a Sony SSC-C350 or SSC-M350 video camera. When making the connections, refer also to the operation manual for the SSC-C350 or SSC-M350 video camera.
- Turn off all of the power switches while making the system connections. If you connect a camera to this unit after switching the power on, it will not be supplied with power.

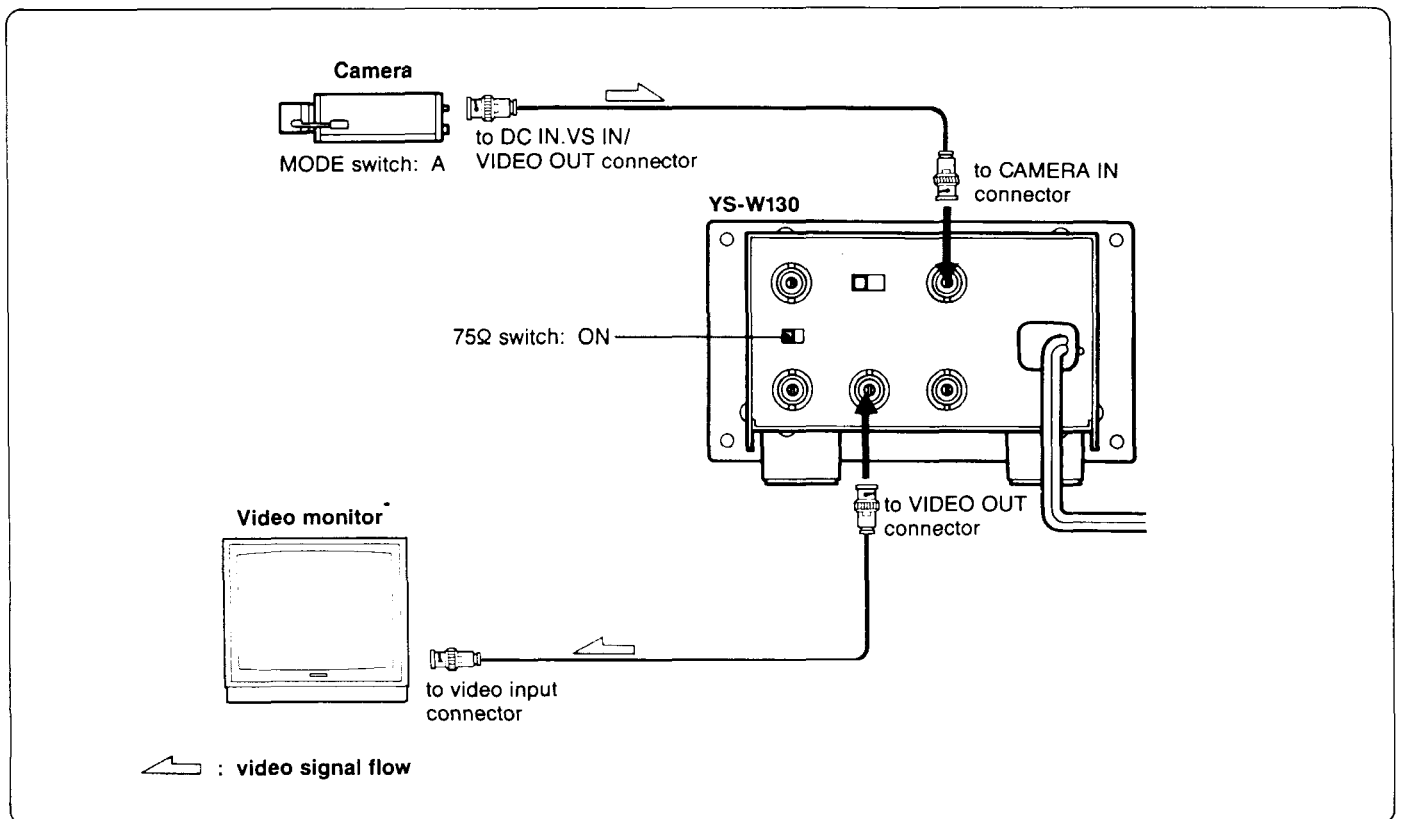
- Use a 75-ohm coaxial cable for the connection to the video camera. If the cable is too long the system may not operate normally. Follow the limits in the table below, and also be sure to set the cable compensation (CABLE COMP) switch correctly.

Cable type	RG-59B/U (3C-2V)	RG-6A/U (5C-2V)	RG-11A/U (7C-2V)
Maximum length	300 m (984 ft)	500 m (1640 ft)	600 m (1968 ft)

- The cable connecting this unit to the video camera carries the power supply and synchronizing signal in addition to the camera output video signal. It is therefore not possible to connect a booster or other device in the cable.

Operating with a single camera and single monitor

Set the camera MODE switch to A, and make all the connections before switching the POWER switch of this unit on.

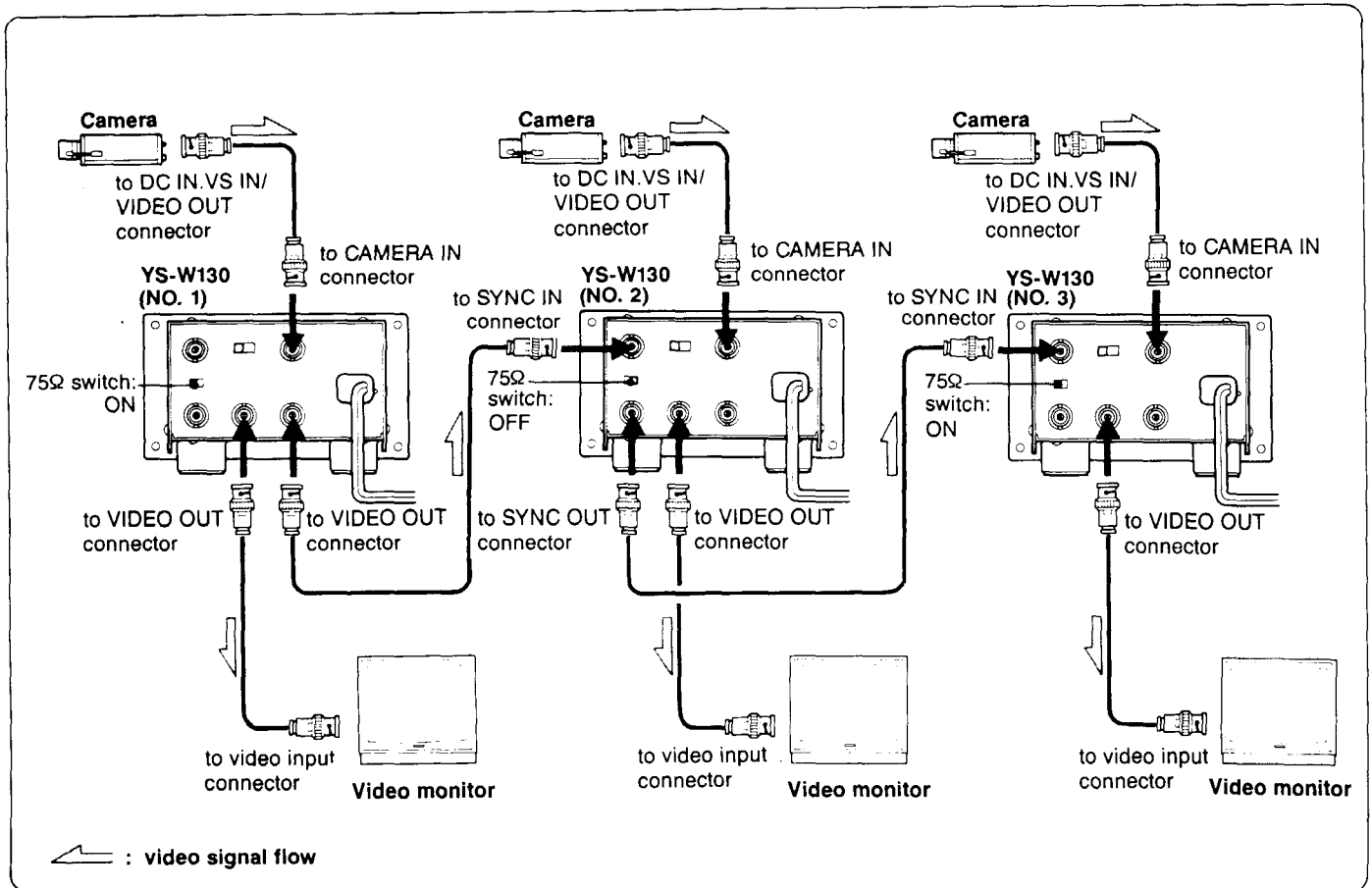


Connections

Connecting a number of camera adaptors

The synchronizing video signal supplied from the camera connected to the first camera adaptor can be used for synchronizing the other cameras.

Example: three camera system



Principal Specifications

Power supply	120 V AC, 50/60 Hz
Power consumption	15 W
Input connectors	CAMERA IN (BNC) Connect only to Sony SSC-C350 or SSC-M350 camera SYNC IN (BNC) Composite sync signal: 4 Vp-p, 75 ohms terminated VS (video/sync): 1 Vp-p, 75 ohms terminated VBS (video/burst/sync): 1 Vp-p, 75 ohms terminated
Output connectors	VIDEO OUT 1 and 2 (BNC) Composite video signal: 1 Vp-p, 75 ohms terminated SYNC OUT (BNC) For loop-through output of the signal input to SYNC IN
Operating temperature	-10°C to 50°C (14°F to 122°F)
Dimensions (w/h/d)	140 × 85 × 283 mm (5 ⁵ / ₈ × 3 ³ / ₈ × 11 ¹ / ₄ inches)
Weight	Approx. 2.1 kg (4 lb 10 oz)
Accessory supplied	Operation manual (1)

Design and specifications are subject to change without notice.