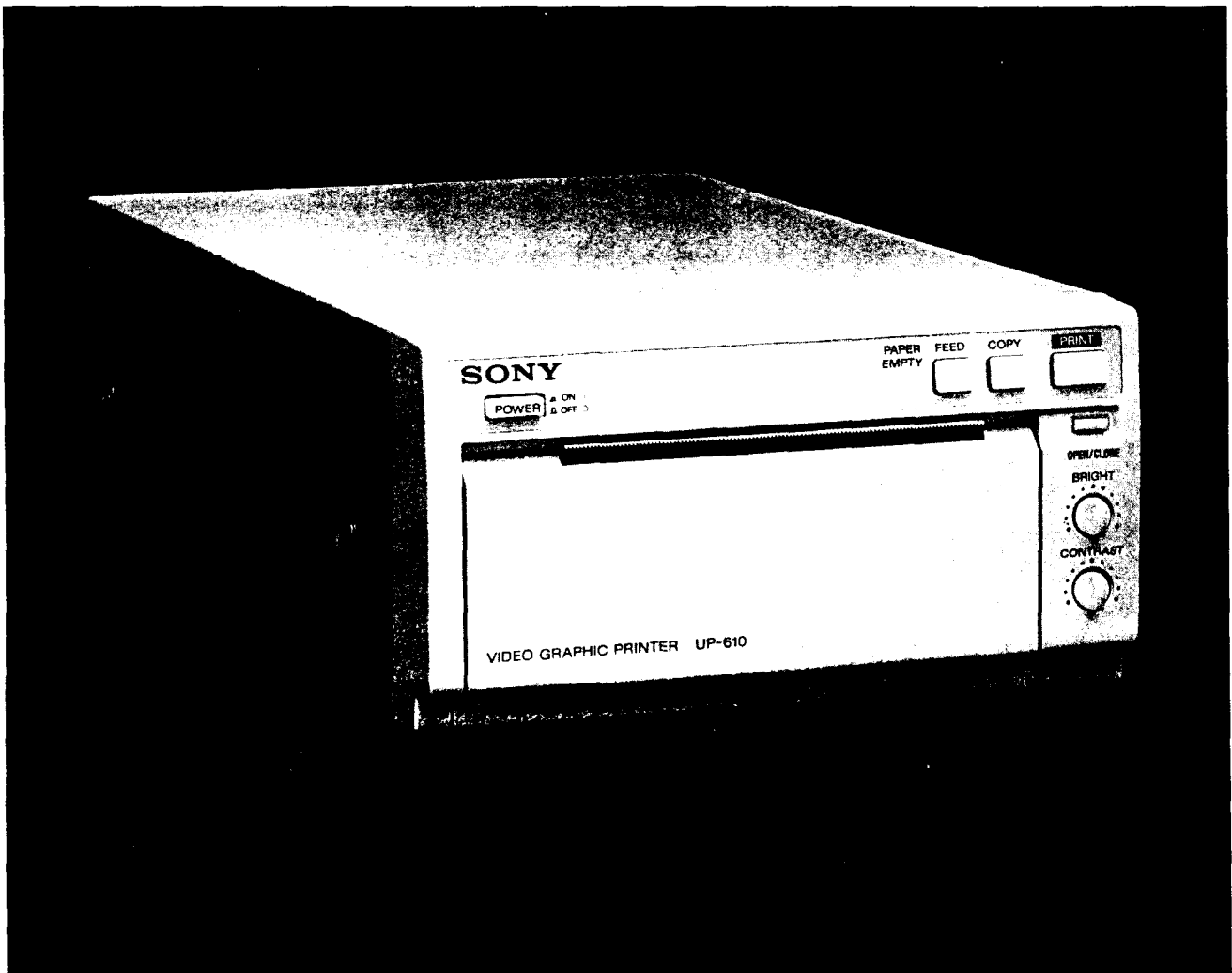


Video Graphic Printer

UP-610

Operating Instructions page 2

Mode d'emploi page 14



Owner's Record

The model and serial numbers are located at the rear.
Record the serial number in the space provided below.
Refer to them whenever you call upon your Sony dealer
regarding this product.

Model No. UP-610 Serial No. _____

Warning

**To prevent fire or shock hazard, do not
expose the unit to rain or moisture.**

**To prevent electrical shock, do not open
the cabinet. Refer servicing to qualified
personnel only.**

For the customers in the U.S.A.

Warning - This equipment generates, uses, and can radiate radio frequency energy and if not installed and used in accordance with the instructions manual, may cause interference to radio communications. It has been tested and found to comply with the limits for a Class A computing device pursuant to Subpart J of Part 15 of FCC Rules, which are designed to provide reasonable protection against such interference when operated in a commercial environment. Operation of this equipment in a residential area is likely to cause interference in which case the user at his own expense will be required to take whatever measures may be required to correct the interference.

For the customers in Canada

This apparatus complies with the Class A limits for radio noise emissions set out in Radio Interference Regulations.

Overview

The UP-610 is a black-and-white video graphic printer. Pictures from a video camera or other video equipment can be printed out quickly and easily by pressing a button. For print paper use the paper roll which has been supplied. It consists of 120 labels. Pictures are automatically printed within a label. The label can be put on things.

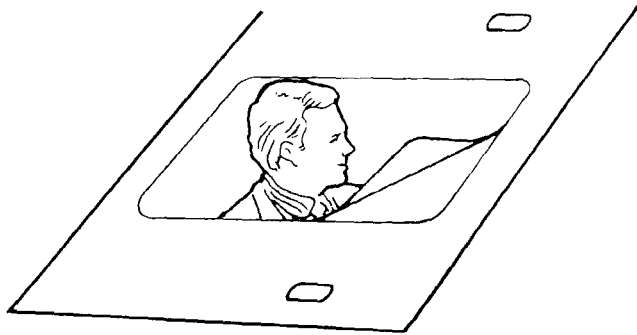


Table of Contents

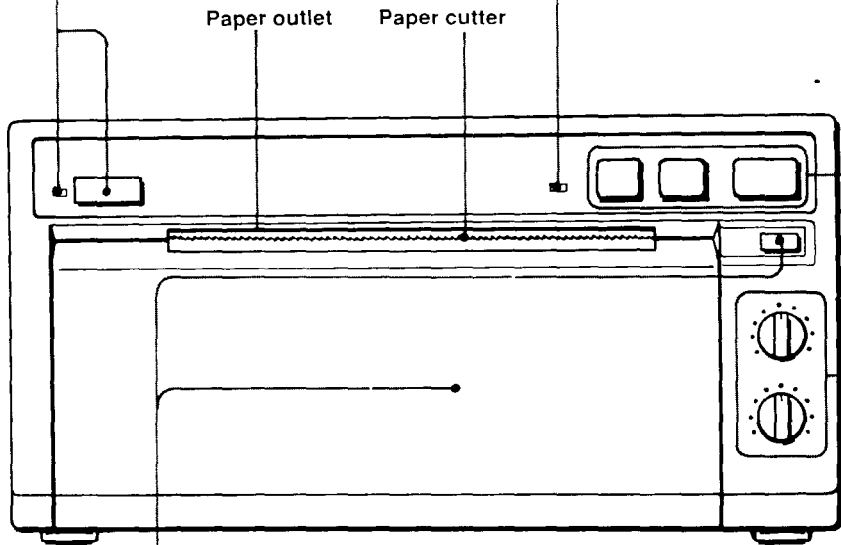
Location and function of parts and controls	4
Front panel	4
Rear panel	6
Precautions	7
Operation	8
Maintenance	9
Specifications	11
Troubleshooting	12

Location and Function of Parts and Controls

Front Panel

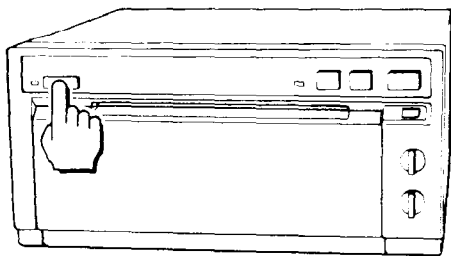
POWER switch and indicator
Press to turn on the power.
The indicator lights when the power is on.

PAPER EMPTY indicator
Lights when no print paper has been inserted. Insert the paper to start printing.

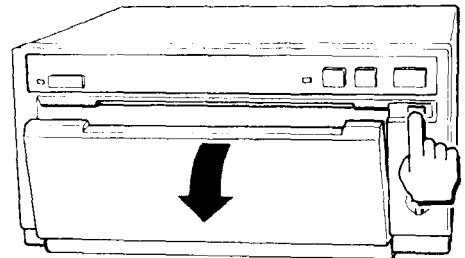


Paper lid and OPEN/CLOSE button
Use to insert the paper roll supplied as shown.

1 Turn on the power.



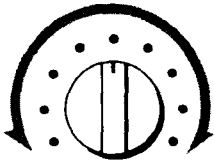
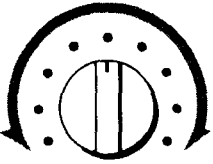
2 Press the OPEN/CLOSE button.
The paper lid opens.



Operation buttons

- PRINT** : Prints the picture being input from video equipment.
→ Page 8
- COPY** : Copies the previous print-out.
→ Page 8
- FEED** : Feeds out paper while the button is pressed.
→ Page 8

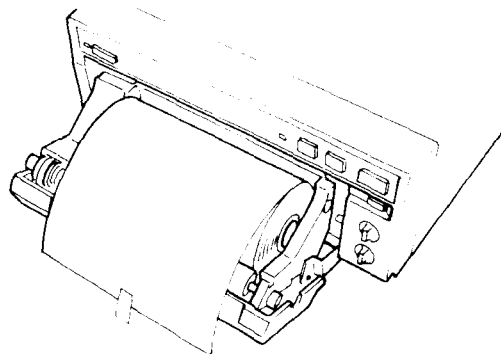
Picture adjustment controls

BRIGHT (brightness) control	CONTRAST (contrast) control
<p data-bbox="185 831 565 856">Adjusts the brightness of the print-outs.</p> <p data-bbox="467 888 553 913">BRIGHT</p>  <p data-bbox="321 1136 386 1161">Darker</p> <p data-bbox="630 1136 711 1161">Brighter</p>	<p data-bbox="872 831 1230 856">Adjusts the contrast of the print-outs.</p> <p data-bbox="1138 888 1263 913">CONTRAST</p>  <p data-bbox="1003 1136 1084 1161">Weaker</p> <p data-bbox="1317 1136 1398 1161">Stronger</p>

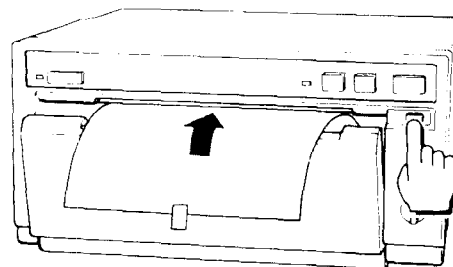
Note

Fingerprints or other kinds of foreign matter on the paper surface may degrade the print quality.
After inserting the paper roll, feed the first one or two labels, and then start printing.

- 3** **Insert the paper roll supplied into the printer.**
Be sure that the paper end comes out of the paper outlet.

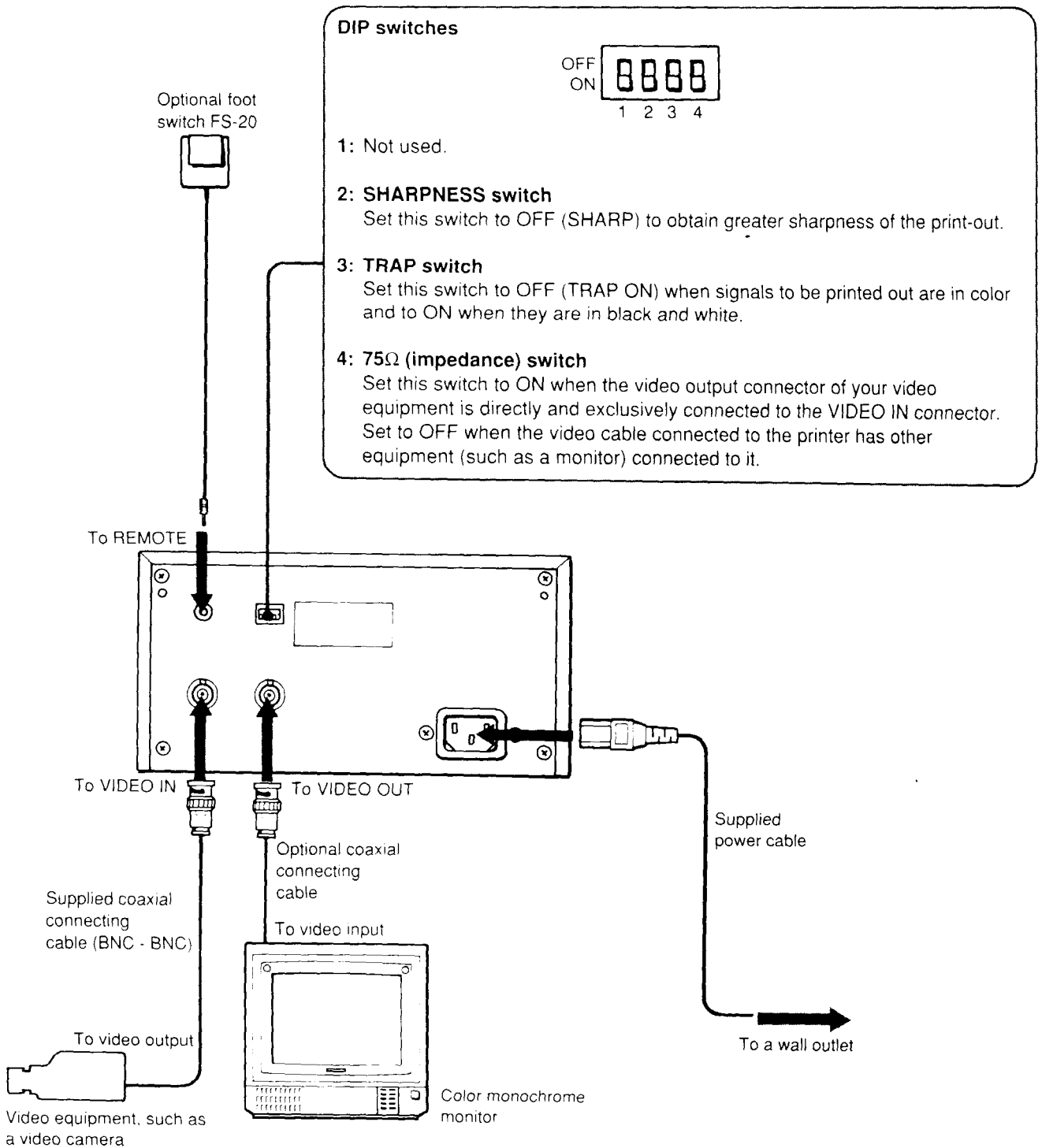


- 4** **Press the OPEN/CLOSE button again.**
The paper lid closes, and the paper is set.



Location and Function of Parts and Controls

Rear Panel



Precautions

On safety

Operate the unit only on 120V AC, 50/60Hz.

Stop operation immediately if any liquid or solid object falls into the cabinet.
Unplug the unit and have it checked by qualified personnel.

Unplug the unit from the wall outlet if you will not be using it for a long time.
Disconnect the cord by grasping the plug. Never pull the cord itself.

Do not disassemble the cabinet.
Refer servicing to qualified personnel only.

On operation

Do not turn the power off while the printer is printing.
Otherwise, the thermal head may be damaged.

On installation

Provide adequate air circulation to prevent heat build-up.
Do not place the unit on surfaces such as rugs, blankets, etc., or near materials such as curtains and draperies.

Place the printer on a level, stable surface during operation.

Do not install the printer near heat sources.
Avoid locations near radiators or air ducts, or places subject to direct sunlight or excessive dust, humidity, mechanical shock or vibration.

On the printing paper

Use only the paper UPP-B90SE specified for this unit.

Do not fold the paper or rub or touch the printing surface.
Dust on the printing surface will also result in poor print quality.

Do not leave unused or printed paper in hot or humid places.
Do not leave for an extended period of time in a place subject to direct sunlight or bright room light.

Store unused or printed paper in a cool, dark place (below 30° C or 86° F).
We recommend that you store printed paper in a polypropylene pouch.

Do not allow any volatile organic solvent or vinyl chloride to contact the printed paper.
Alcohol, plastic tape or film will fade the print-out. To attach printed paper to another piece of paper, use double-sided plastic tape or water-based or solid glue.

Do not stack printed paper on or under a freshly-developed diazo copy sheet.

If you have any questions or problems concerning your unit, please contact your nearest Sony service facility.

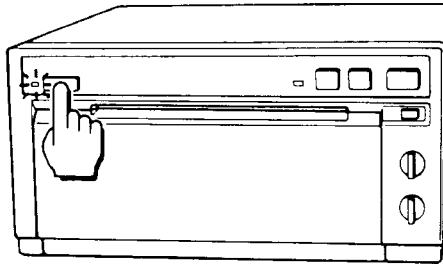
Operation

Before operation:

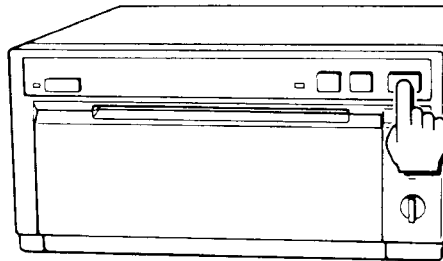
- Be sure that the settings of the DIP switches are correct (see page 6).
- Be sure that the connections are correct and that the print source is input to the VIDEO IN connector (see page 6).

Follow the steps below to start printing.

- 1 Depress POWER to turn on the power to the unit.**
The power indicator lights up.



- 2 Press PRINT when the monitor screen shows the picture you want to print.**



To stop printing

Press the FEED button. Printing will stop and the paper will continue to feed while the FEED button is pressed.

To stop printing and print another picture shown on the screen

Press the FEED button to stop printing, and then press the PRINT button again. The next picture will be printed within a label.

To get a copy of the previous print-out

Press the COPY button. The last print-out will be copied. This last print-out is retained in the memory of the printer and can be copied by using the COPY button as many times as you want, until PRINT is pressed again or the power is turned off and the memory is erased. The COPY button will not function while a print-out is being made.

To adjust the brightness and contrast of print-outs

Adjust using the BRIGHT and CONTRAST controls (see page 5).

Maintenance

Cleaning the cabinet

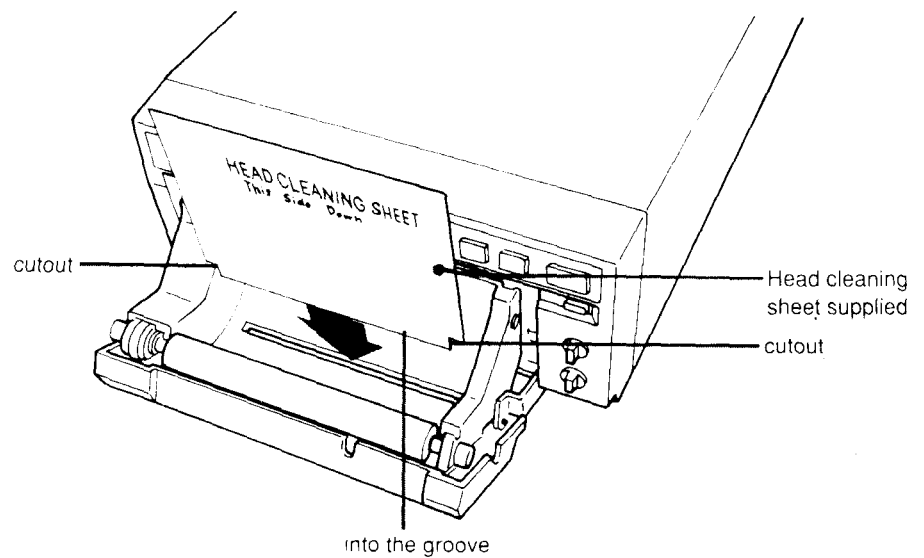
Do not use strong solvents for cleaning the printer.
Thinner or abrasive cleansers will damage the cabinet.

Cleaning the thermal head

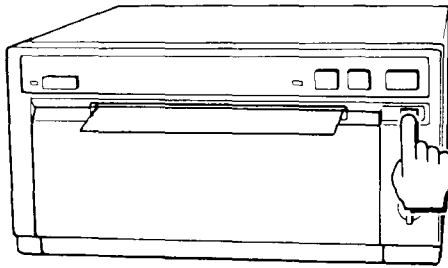
Use the cleaning sheet supplied to clean the printing head when the print-out is dirty.

How to use the supplied cleaning sheet

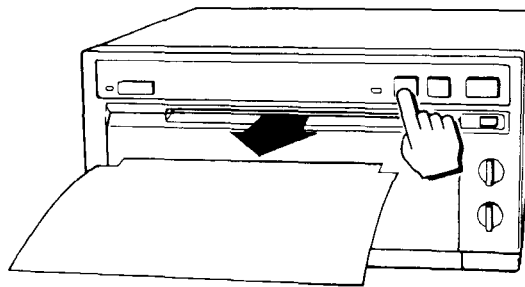
- 1 Depress **POWER** to turn on the power to the unit.
- 2 Press **OPEN/CLOSE** to open the paper lid.
- 3 Insert the head cleaning sheet into the printer.



- 4** Press OPEN/CLOSE to close the paper lid.



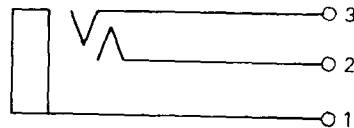
- 5** Keep pressing FEED until the head cleaning sheet is fed out completely.



Specifications

Thermal head	Thin-film thermal head (with built-in drive IC) 768-dot drive
Gradations	128 (black and white)
Print size	51 x 86 mm (2 ¹ / ₈ x 3 ³ / ₂ inches) (h/w)
Effective pixels	346 lines x 660 dots (h/w)
Printing speed	Approx. 5 seconds/screen
Picture memory	6-bit frame memory
Input/Output terminals	VIDEO IN (BNC) EIA or Composite video signals 1.0 Vp-p, 75 ohms/high-impedance REMOTE (stereo minijack)* Connect the optional FS-20 foot switch
Power requirements	100 - 120 V AC, 50/60 Hz
Power consumption	60 W (IRE 50) 10 W (standby) 1.5 A max.
Dimension	195 x 106.5 x 316 mm (Not including protecting parts) (7 ³ / ₄ x 4 ¹ / ₄ x 12 ¹ / ₂ inches) (w/h/d)
Weight	4.5 kg (main unit only) (9 lb 15 oz)
Print paper	UPP-B90SE thermo-sensitive paper roll 120 pieces of labels
Accessories supplied	AC power cord (1) Paper roll (UPP-B90SE) (1) Head cleaning sheet (1) Connecting cable (BNC - BNC)

* Technical specifications



1. GND
2. PRINT SIGNAL (TTL)
Input of LOW pulse over 100 msec. initiate print.
3. PRINT BUSY (TTL)
Goes HIGH during printing.

Design and specifications are subject to change without notice.

Troubleshooting

Symptom	Corrective actions
Fine dust appears on the first few print-outs.	Have you just replaced the paper roll ? When printing with a newly-inserted roll, fine dust on the surface of the paper may appear on the first few print-outs. Press the FEED button until completely clean paper comes out.
Printing does not start when the PRINT button is pressed.	<ul style="list-style-type: none"> • If the paper does not feed. <ul style="list-style-type: none"> - Is the power turned on ? - Are the connections correct ? - Is the print source being input to the printer ? - Is the paper roll inserted with its end out of the paper outlet? - Is the PAPER EMPTY indicator lit? If it is, insert the new paper roll. • If the paper feeds but print-out is not made. <ul style="list-style-type: none"> - Is the paper roll inserted correctly with the thermo-sensitive face upward ?
The paper is not fed out.	There is a slack in the paper roll. Remove the paper from the printer, take out any slack in the roll, and re-insert the paper.
Print-out is dirty.	The head is dirty. - Use the head cleaning sheet supplied (see page 9).
After having printed out almost totally black pictures, white portions of subsequent prints turned black.	When the printer continually prints 100 or more totally black pictures, the white portions of the subsequent pictures may turn black (at 20° C, with the supplied UPP-B90SE printing paper). - Stop printing for a while.
After having printed out almost totally black pictures, the subsequent prints became faint.	When the printer continually prints 100 or more totally black pictures, the subsequent prints may become faint. - This is caused by a protective circuit which prevents the thermal head from overheating. Stop printing for a while. Printing will resume when the temperature of the printing head drops to normal.
White lines and small letters on the screen are obscure.	Is the TRAP switch of the DIP switches set to ON when the input signal is in black and white?
Small squares appear on the whole screen.	Is the TRAP switch of the DIP switches set to OFF (TRAP ON position) when the input signal is in color?
The screen is too dark or too light to adjust.	Is the 75Ω switch of the DIP switches set correctly?