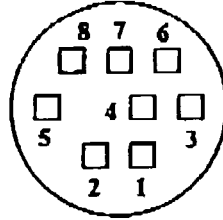


SSC-CX34/44/34P Lens Connector Information

1. Pin assign



Jeff Held.
219-929-4377

Pin number	Name	Meaning	Voltage spec	Cable Color
1	Preset +	V1 = + Power for preset	12V p-p maximum	Red
2	Preset -	V2 = - Power for preset		White
3	Zoom Position Out	Zoom position voltage output	V2 to V1	Black
4	GND			Yellow
5	Focus Position Out	Focus position voltage output	V2 to V1	Blue
6	Focus In	Focus control voltage input	-12V to +12V	Green
7	Zoom In	Zoom control voltage input	-12V to +12V	Brown
8	Iris In	Iris control voltage input	-12V to +12V	Gray

* If Iris is auto mode, this voltage control is not accepted.

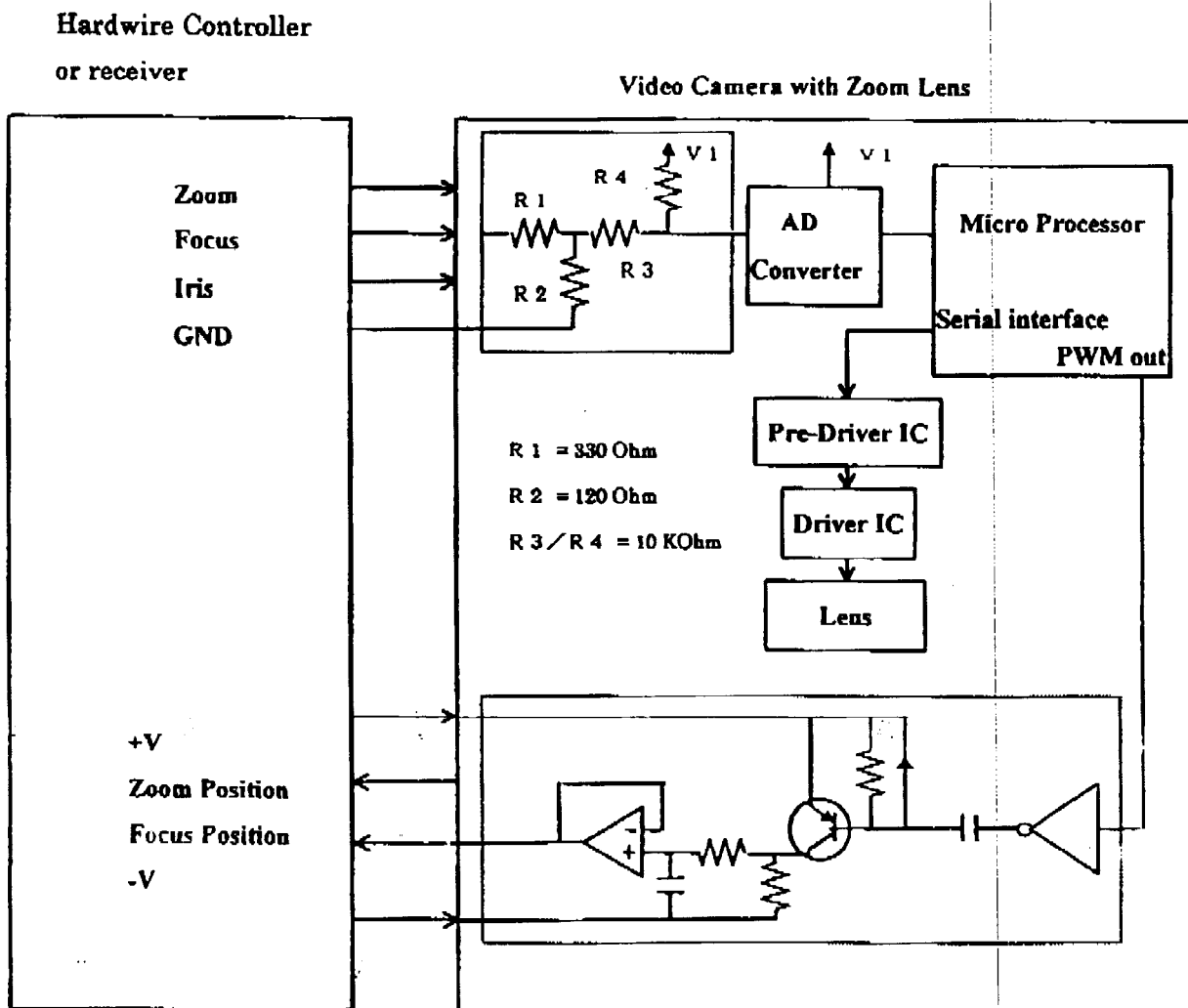
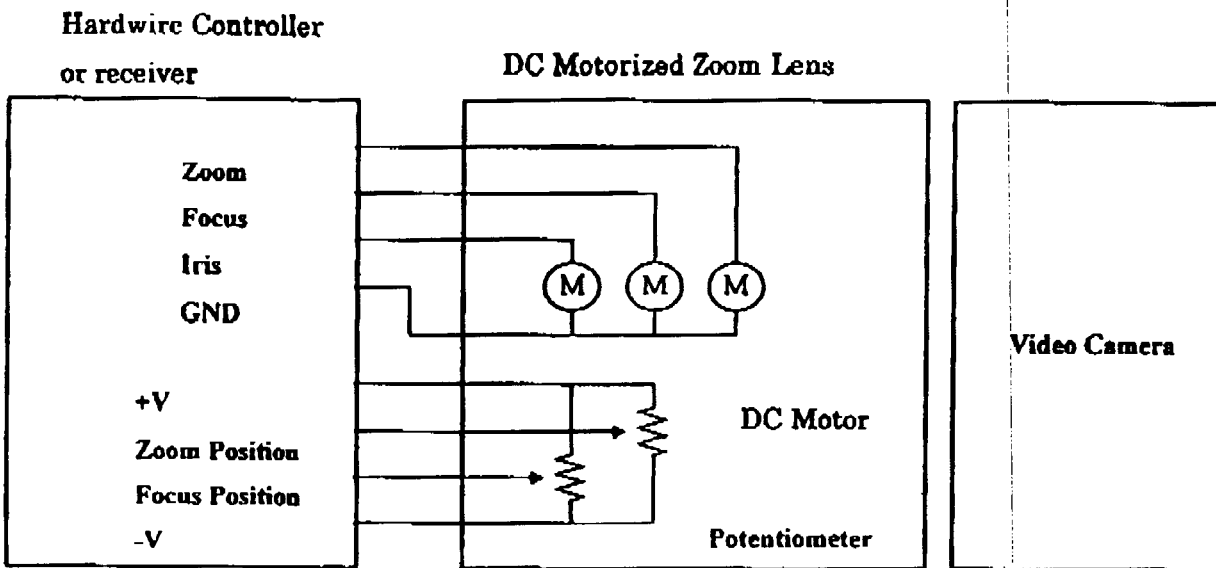
2. Lens Motion by NORM/REV switch

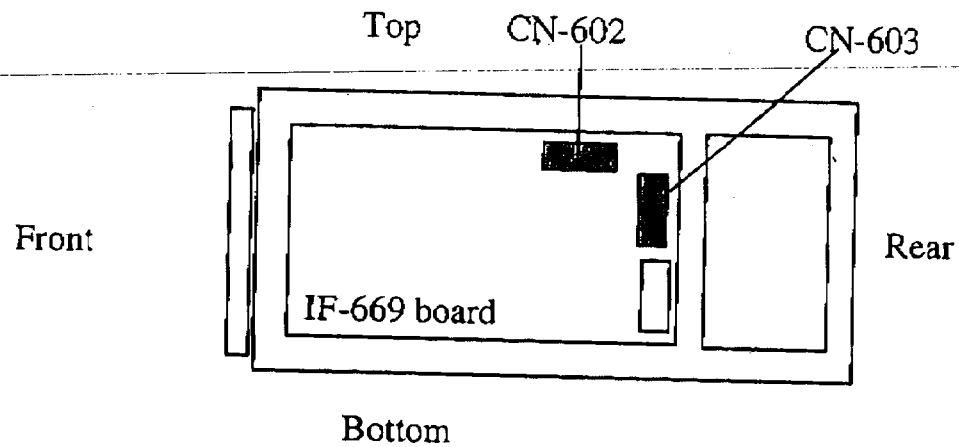
		Switch NORM position	Switch REV position
Zoom In 7 pin	+ Voltage	Wide	Tele
	- Voltage	Tele	Wide
Focus In 6 pin	+ Voltage	Far	Near
	- Voltage	Near	Far
Iris In 8 pin	+ Voltage	Close	Open
	- Voltage	Open	Close

3. Position Output Motion

	Position voltage increase	Position voltage decrease
Zoom Position output 3 pin	Wide side (CX34/44) Tele side (CX34P)	Tele side (CX34/44) Wide side (CX34P)
Focus Position output 5 pin	Far side (CX34/44/34P)	Near side (CX34/44/34P)

SSC-CX34/34P DC Voltage Control





To configure 8 pin connector (Mini-DIN) as RS-232C port:

Remove top cover of SSC-CX34

Remove connector on CN-603

Attach harness to CN-602