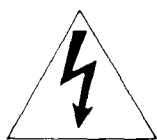
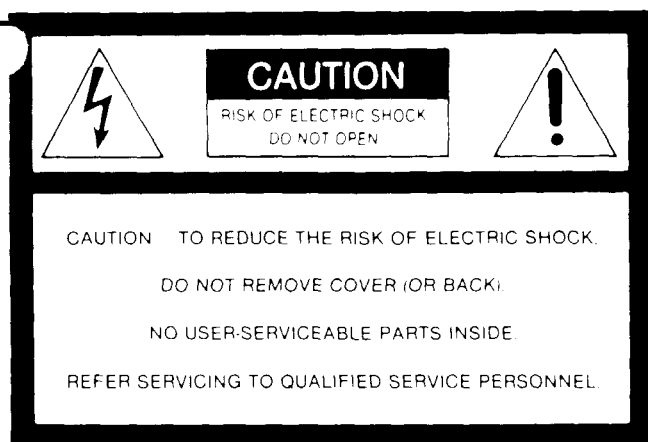


WARNING

To prevent fire or shock hazard, do not expose the unit to rain or moisture.



This symbol is intended to alert the user to the presence of uninsulated "dangerous voltage" within the product's enclosure that may be of sufficient magnitude to constitute a risk of electric shock to persons.



This symbol is intended to alert the user to the presence of important operating and maintenance (servicing) instructions in the literature accompanying the appliance.

Warning — This equipment generates, uses, and can radiate radio frequency energy and if not installed and used in accordance with the instructions manual, may cause interference to radio communications. It has been tested and found to comply with the limits for a Class A computing device pursuant to Subpart J of Part 15 of FCC Rules, which are designed to provide reasonable protection against such interference when operated in a commercial environment. Operation of this equipment in a residential area is likely to cause interference in which case the user at his own expense will be required to take whatever measures may be required to correct the interference.

Features

The SPT-C200 black-and-white video camera is designed for use in a monitoring system.

- Very few after-images, high resistance to image burning
- Easy installation and connections
- Compact and light-weight
- Low power consumption
- Equipped with a BNC video output
- Electronic shutter with automatic shutter speed control
- AGC (Automatic Gain Control)
- Accepts a C mount lens
- AC line lock to assure stable picture switching when using the unit in combination with a camera switcher

Black-and-white Video Camera

SPT-C200

Operating Instructions

Before operating the unit, please read this manual thoroughly and retain it for future reference.

Owner's Record

The model and serial numbers are located at the rear. Record the serial number in the space provided below. Refer to these numbers whenever you call upon your Sony dealer regarding this product.

Model No. SPT-C200 Serial No. _____

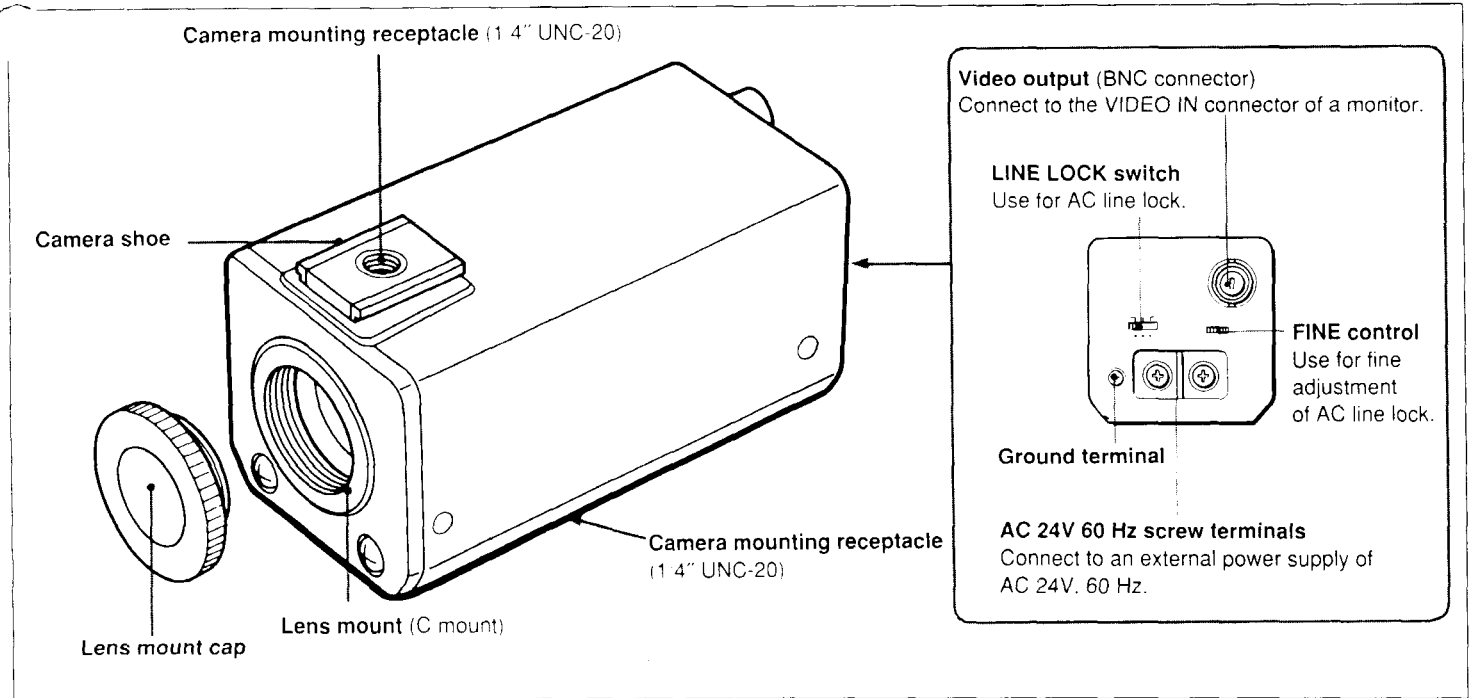
© 1990 by Sony Corporation Printed in Japan

Specifications

Pickup device	1/3" Solid State Imager
Picture elements	324 × 246 (h × v)
Sensing area	3.3 mm × 4.4 mm
Scanning system	525 lines, 2:1 interlace, 30 frames/sec.
Sync system	AC line lock
Horizontal resolution	Approx. 200 lines (at the center of the screen)
Vertical resolution	Approx. 200 lines (at the center of the screen)
Lens mount	C mount
Automatic control	Electronic iris (exposure priority, shutter speed automatic control) AGC (automatic gain control)
Power requirements	AC 24V, 60 Hz, Screw terminals
Video output	BNC, unbalanced, 1 Vp-p 75Ω
Power consumption	Approx. 2 w, AC 24v
Operating temperature	0°C to +50°C (32°F to 122°F)
Tripod receptacles	1.4" -20 UNC × 2 (on the top and the bottom of the camera)
Acceptable lens weight	Approx. 1 kg (2 lb 3 oz) max.
Dimensions	Approx. 50 × 50 × 100 mm (w/h/d) (2 × 2 × 4 inches) excluding projecting parts
Weight	Approx. 250 g (9 oz)
Supplied accessory	Lens mount cap (1)
Optional accessories	VCL-C108 f=8 mm, F=1.3 (standard lens) VCL-W106 × 0.6 wide attachment lens

Design and specifications subject to change without notice.

Location and Function of Parts

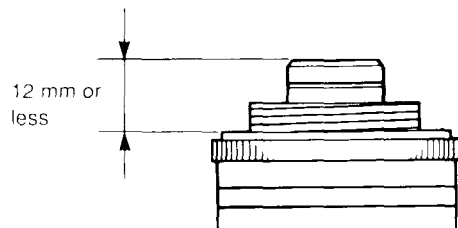


Installation

Lens mounting

Usable lens

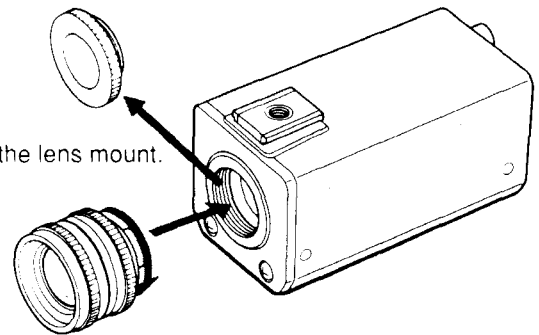
- Any C mount lens with a projection of 12 mm (1/2 inch) or less from the lens mount.
- Weighing less than 1 kg (2 lb 3 oz)



Lens mounting

1 Turn and remove the lens mount cap.

2 Screw in the lens mount.

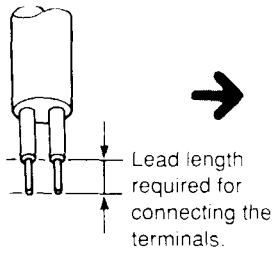


Note

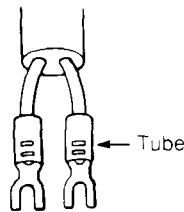
Be sure to attach the lens mount cap when the lens is not mounted.

Power connection

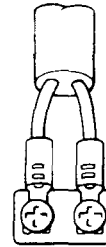
Make the power cable as illustrated.



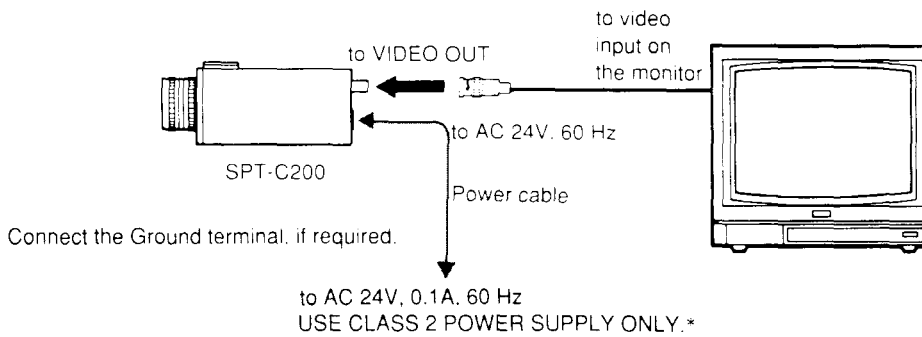
Attach the terminal tips.



Connect to the AC 24V 60 Hz terminals on the camera.



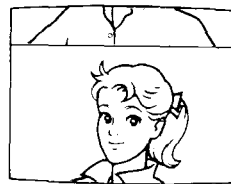
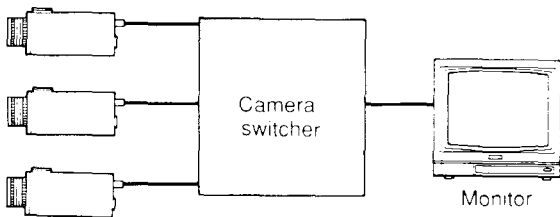
Connecting the monitor



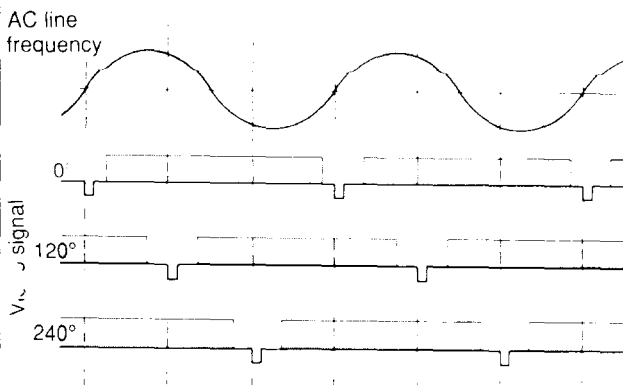
*To get the optimum performance of the unit, be sure to connect to an AC supply of 24 V $\pm 10\%$ to -5% .

AC Line Lock Adjustment

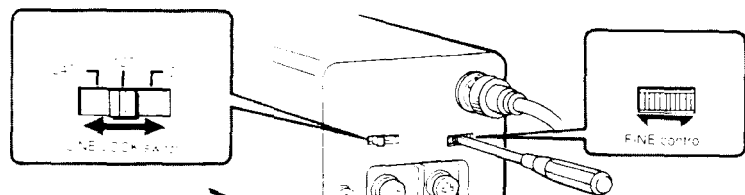
The AC line lock function of this unit uses the PLL (Phase Lock Loop) system. When using the unit in combination with a camera switcher, each camera output is locked to the identical AC line frequency and provides synchronized pictures when switching from one picture to another.



Vertical sync is unlocked
(blanking bar appears.)
— Adjust AC line lock



- 1 Set the LINE LOCK switch to 0°, 120° or 240° with a screw driver so that the vertical sync of the picture is locked to the AC line frequency. In the locked condition, the picture will not roll up/down.
- 2 Turn the FINE control with a screw driver for fine adjustment.



Note

Precautions

Safety

- This camera can be operated on AC 24V, 60 Hz.
- An irregular voltage may be generated in the AC power cord and may cause malfunction and/or damage to the video camera.

Installation

- Allow adequate air circulation to prevent internal heat build-up.
- Do not install the camera near heat sources such as radiators or air ducts or in a place subject to direct sunlight.

Operation

- Avoid rough handling or mechanical shock.
- Operate the video camera within a 0° C to +50° C (32° F to 122° F) temperature range.

This video camera is designed to take a few seconds until it starts operation after the power is turned on.

Cleaning

Clean the cabinet with a dry soft cloth, or soft cloth lightly moistened with mild detergent solution. Do not use any type of solvent, such as alcohol or benzene, which might damage the finish.

Repacking

Store the carton. It provides maximum protection whenever the video camera is transported. Repack it as it was originally packed.

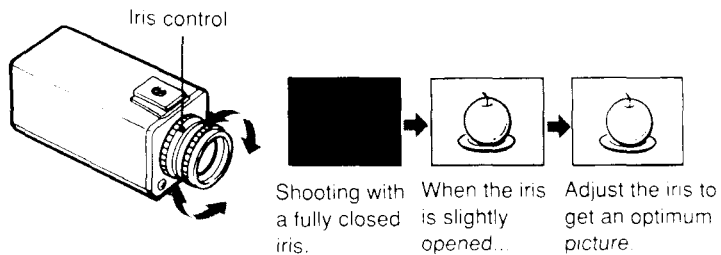
Daily operation check

Check that the unit operates properly, at least once a day, to ensure correct operation of your camera. Picture on the monitor should be checked for proper picture quality.

If you have any questions about this video camera, contact your authorized Sony dealer.

Adjustment for Better Picture Quality

- Install the camera where it will not be affected by fluorescent lights or reflections from window. If the camera is used under illumination that is not steady, the picture may flicker.
- When the lens has a manual exposure (iris) control, adjust it according to the lighting conditions after the camera is installed.



- 1 Adjust the lighting conditions of the location to be shot.
- 2 Fully close the iris control of the lens.
- 3 Turn on the camera.
The monitor screen will show a black picture.
- 4 Open the iris control of the lens little by little.
The picture shot by the camera will appear on the monitor.
- 5 Adjust the iris control so that the picture can be shot with an optimum brightness.

Note

If the iris is opened too much, the electronic exposure control of the camera may become too sensitive, resulting in flickering pictures.