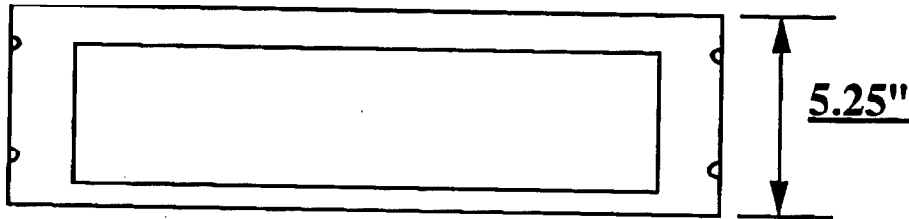


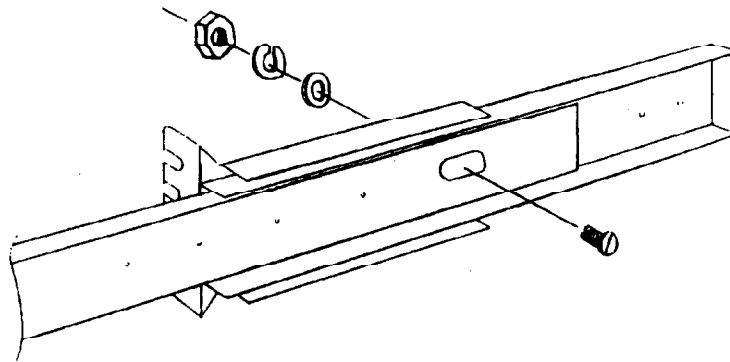
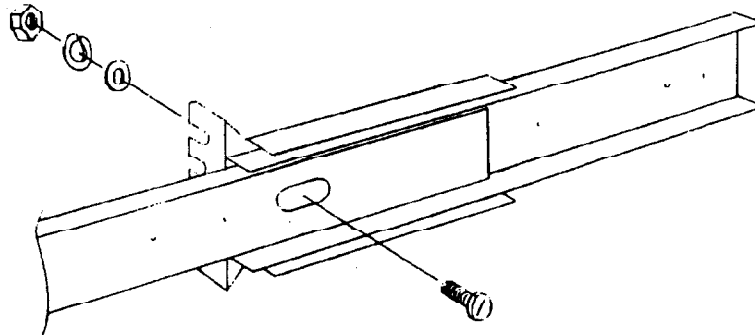
SECURITY SYSTEMS



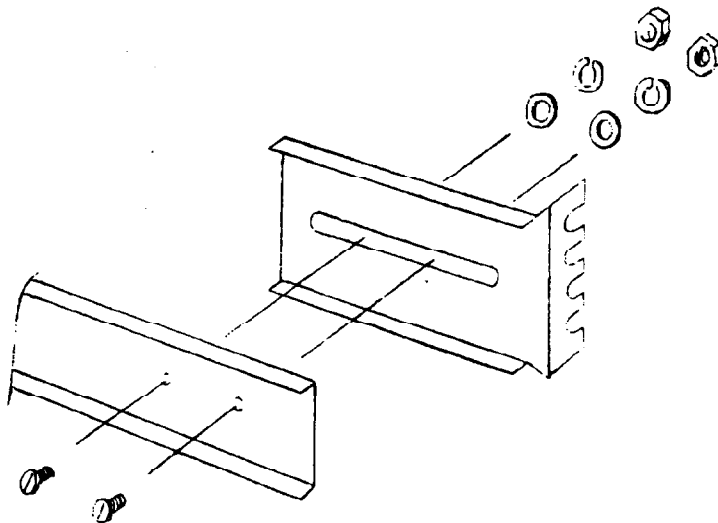
MB-801

MB-801SL ASSEMBLY MANUAL

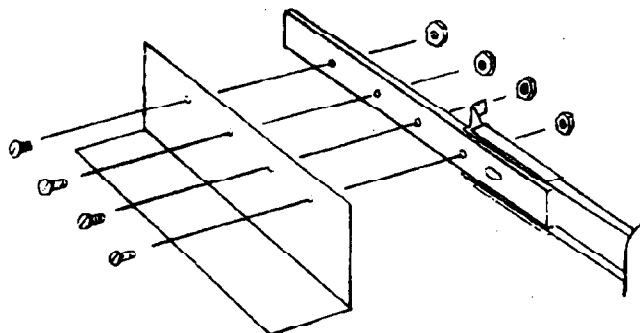
1 tighten 2 screw



2 tighten 2 screw (not completely)

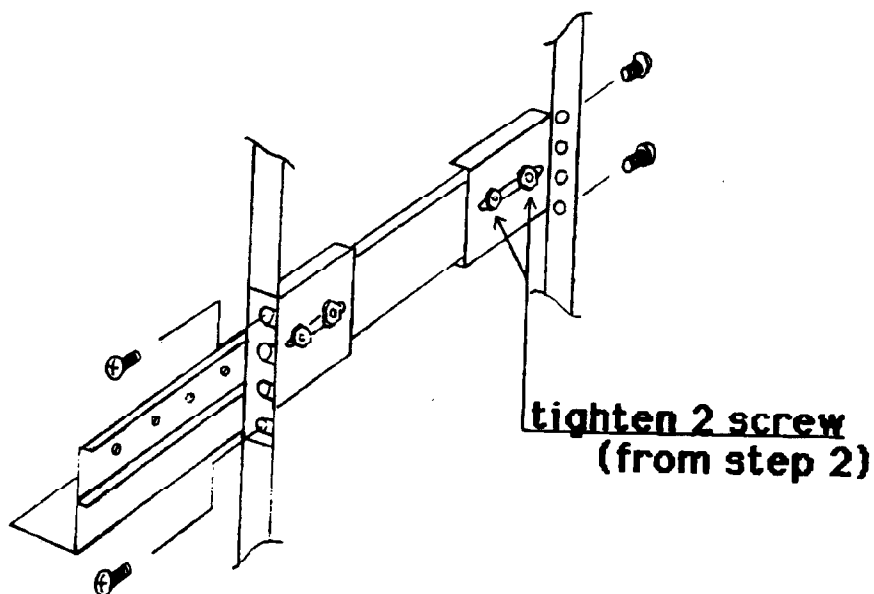


3 tighten 4 screw



4 follow steps 1-3 for the other rail

5 mount the slide rail to the rack



6 mount the handles to the MB-801 as shown and attach to slide rails

