

# HVA-441

## 取扱説明書

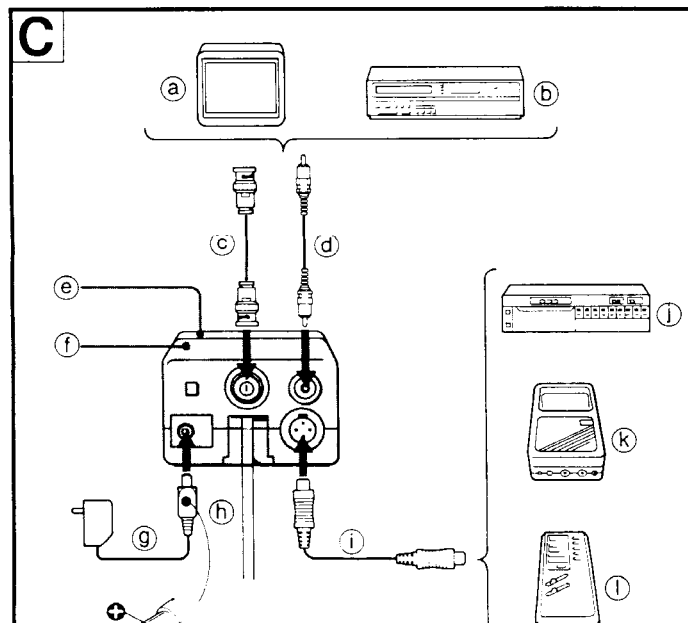
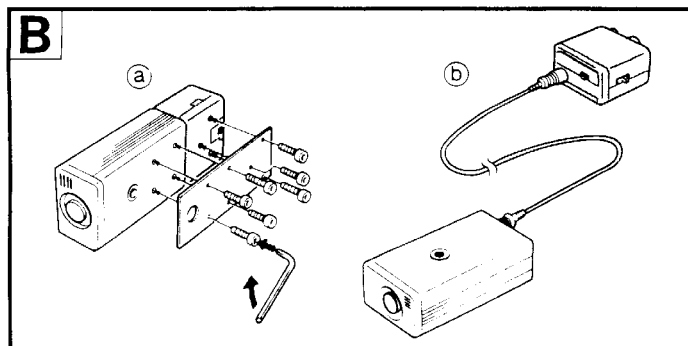
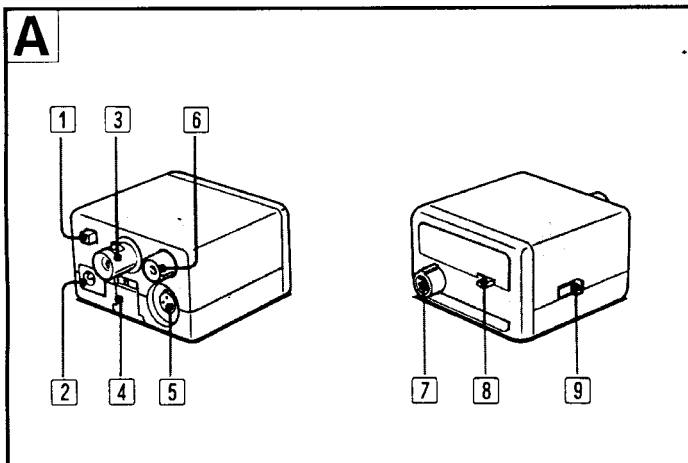
## OPERATING INSTRUCTIONS

ソニー株式会社 〒141 東京都品川区北品川 5-7-35

お問い合わせはお客様相談センター

●東京(03)448-3311 ●大阪(06)251-5111 ●名古屋(052)331-2511

Printed in Japan



is adapter is designed to be used to connect the HVM series black-and-white video camera (optional) to other equipment. Thus the camera need be supplied with power from a monitor but can be directly connected to the optional AC adapter etc., which increases camera operation range.

## LOCATION AND FUNCTION OF CONTROLS

Figure A)

### POWER Switch

ON: Press the switch to turn on the power.

REMOTE: Set the switch to this position to turn off the power. However, when equipment with 4-pin camera input jacks such as a Watch Sensor or a WatchCam monitor is connected, the camera is turned on and off by the equipment it is connected to.

DC IN 16 V input jack

VIDEO OUT: Video output connector (BNC)

Power input terminal: For AC inputs (wire insert type)

4P MULTI OUT: 4-pin multi output connector

AUDIO OUT: Audio output jack (pin)

4P MULTI IN: 4-pin multi input connector

MODE A/B: Picture reversal switch

(Can be used when adapter is directly connected to camera)

A: The picture image recorded by the camera

B: A picture image where right and left is reversed horizontally.

This switch cannot be used with HVM-332.

CABLE COMP switch: Compensates for picture deterioration caused by cable extension. Set the switch to the position that corresponds to the type and length of the cable used.

Switch Position	0	1	2	3
able Type				
pin	0-25 (m)	25-55	55-95	95-130
C 2 V coaxial cable	0-50	50-150	150-250	250-350
C 2 V coaxial cable	0-75	75-225	225-375	375-525

te: Incorrect setting may cause the system to malfunction.

## CONNECTIONS (Figure B)

- When the unit is to be directly attached to HVM series video cameras, use the provided camera joint plate and secure the unit to the camera with the screws and the L-shaped wrench. When a tripod is to be attached, remove the screws on the camera and the tripod that prevent attachment. If the VCT-01 tripod attachment (optional) is to be used, place the attachment on the joint plate and secure the plate and attachment to the camera with the same screws.
- When connecting with cable, use VK-110 (optional). Use the VK-220 waterresistant camera cable and the VK-110 connecting cable with the WPC-140 waterresistant camera case (optional).

(Figure C)

- TV or monitor with video input
- VTR (VCR)
- Connecting cable (BNC ↔ BNC or BNC ↔ phono)
- Connecting cord (phono ↔ phono)
- HVM-332 or other black-and-white video camera
- HVA-441 camera adapter
- AC adapter
- Insert wires (max. diameter 1.6ø), secure them with the screws and connect to power source.
- VK-120A connecting cable
- WatchSensor system
- FDM-402A black-and-white monitor
- ECS-402 Camera Switcher

## SPECIFICATIONS

### Camera inputs

- 4-pin multi connector
- 12 V DC power supply
- Video 1.0 Vp-p, 75 ohms, sync negative
- Ground
- Audio Max. 436 mV rms

### Camera outputs

- 4-pin multi connector
- Power control jack (DC IN 4-15 V)
- Video 1.0 Vp-p, 75 ohms, sync negative (CABLE COMP switch 0)
- Ground
- Audio Max. 550 mV rms

### Video output

BNC connector, 1.0 Vp-p, 75 ohms, sync negative (CABLE COMP switch 0)

### Audio output

Phono jacks, Max. 550 mV rms

### Input Power

AC 21-24 V  
Use an UL listed transformer.  
DC IN 16 V (DC jack)

**Power Consumption**  
0.5 W (for HVA-441)

### Dimensions

Approx. 53 × 32 × 66 mm (w/h/d)  
(including connectors and switches)

### Weight

Approx. 90 g

### Provided Accessories

Camera joint plate, L-shaped wrench and 7 screws

### Optional Accessories

AC-265 (for USA)/266/267 AC adapter, WU-441 camera mount bracket

Specifications and dimensions are subject to change without notice.

## PRECAUTIONS

- Avoid rough handling or mechanical shock.
- Do not operate the unit outside a 0°C to +40°C (32°F to 104°F) temperature range.



### INFORMATION

This equipment generates and uses radio frequency energy and if not installed and used properly, that is, in strict accordance with the manufacturer's instructions, may cause interference to radio and television reception. It has been type tested and found to comply with the limits for a Class B computing device in accordance with the specifications in Subpart J of Part 15 of FCC Rules, which are designed to provide reasonable protection against such interference in a residential installation. However, there is no guarantee that interference will not occur in a particular installation. If this equipment does cause interference to radio or television reception, which can be determined by turning the equipment off and on, the user is encouraged to try to correct the interference by one or more of the following measures:

- Reorient the receiving antenna
- Relocate the equipment with respect to the receiver
- Move the equipment away from the receiver
- Plug the equipment into a different outlet so that equipment and receiver are on different branch circuits.

If necessary, the user should consult the dealer or an experienced radio/television technician for additional suggestions. The user may find the following booklet prepared by the Federal Communications Commission helpful: "How to Identify and Resolve Radio-TV Interference Problems". This booklet is available from the U.S. Government Printing Office, Washington, DC 20402, Stock No. 004-000-00345-4.

The shielded interface cable recommended in this manual must be used with this equipment in order to comply with the limits for a computing device pursuant to Subpart J of Part 15 of FCC Rules.

## WARNING