

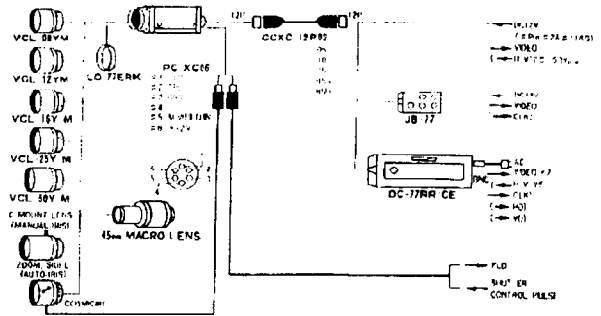
CCD VISION CAMERA MODULE

XC-75 / 75CE

FEATURES

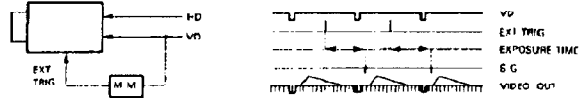
- High Resolution
XC-75/75CE: 768(H) × 494(V) pixels / 752(H) × 582(V) pixels 1/2" CCD
- High Sensitivity: 400 Lux F4
- High S/N ratio: 56 dB/54dB(CE)
- Compatible with XC-77/77CE
- Electronic Shutter (Step* or Variable** with Ext. TRIGGER PULSE)
- Asynchronous Shutter (S-DONPISHA***)
- Restart Reset Function
- Interlaced/Non-Interlaced
- Frame/Field Integration
- AGC/Fixed gain/Manual gain
- Gamma OFF/ON
- HD, VD/VS External Sync system
- Compact & Light weight

XC-75 CONNECTION DIAGRAM

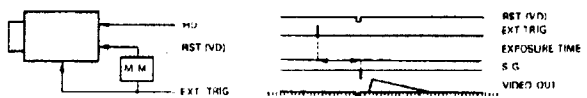


*Normal Shutter(INT/EXT SYNC) 1V~1/10,000sec

**Variable Shutter(INT/EXT SYNC) 0.8V~1/500,000sec



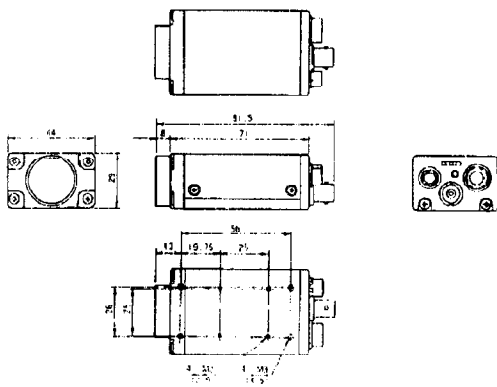
***S-DONPISHA(asynchronous Shutter) 0.8V~1/1,500sec



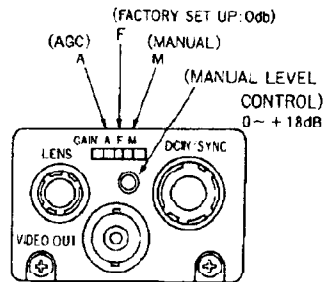
SPECIFICATIONS

	XC-75	XC-75CE
Pick up device	1/2" Interline transfer(Hyper HAD sensor)	1/2" Interline transfer(Hyper HAD sensor)
Picture elements	768(H) × 494(V)	752(H) × 582(V)
Cell size	8.4(H) × 9.8(V) μm	8.6(H) × 8.3(V) μm
Lens mount	C mount	C mount
Sync system	Internal/External(auto)	Internal/External(auto)
H/V resolution	570 × 485 TV lines	560 × 575 TV lines
Sensitivity	400 Lux F4(3200°K)	400 Lux F4(3200°K)
Minimum Sensitivity	3 Lux F1.4(with IR cut filter)	3Lux F 1.4(with IR cut filter)
S/N ratio	56 dB	54 dB
Power	DC 12V ± 10% / 1.6W	DC 12V ± 10% / 1.6W
Dimensions	44(W) × 29(H) × 71(D) mm / 140g	44(W) × 29(H) × 71(D) mm / 140g
Standard	FCC, UL	FCC/2ZF

DIMENSIONS



XC-75/CE REAR PANEL GAIN MODE SELECTION



INSIDE SELECTION

- H/V in 75Ω TERMINATION(OFF/ON)
SG BOARD(SW) × 2
- GAMMA(OFF/ON)
PR BOARD(SW)
- RR MODE
SG BOARD(SOLDER) × 2
- FRAME/FIELD INTEGRATION
MB BOARD(SOLDER)
- NORMAL SHUTTER
MB BOARD(ROTARY SW)
- H/V(INT/EXT)
SG BOARD(SW) × 3
- S-DONPISHA
MB BOARD(SOLDER) × 2

- SONY Component Products Company(USA)
Calif. Office 10833 Valley View Street, Cypress, CA 90630-0016 TEL:(714)229-4197 FAX:(714)229-4285
N. J. Office 15 Eccox RD, Paramus, N. J. 07663 TEL:(201)368 6189 FAX:(201)368-06-4
- New Business Development Division(CANADA)
411 Gordon Baker Road, Willowdale, Ontario M2H 2S6 TEL:(416)499-1414 FAX:(416)497-1774
- Sony Component Marketing Group(EUROPE)
Headquarters Mathias-Brugger-Str. 132 W-5000 Köln 30 TEL:0221-59773.43 FAX:0221-59773.20
Germany Office Landsberger Strasse 428 8000, Munchen 60 TEL:089-82916-405 FAX:089-82916 426/416
France Office 15, Rue Floreal BP 34 75823 Paris, Cedex 17 TEL:(1)40-87-33-76 FAX:(1)40-10-94-19
UK Office Sony Thameside, 1 Kingsbury Crescent Staines, Middlesex TW18 3AJ TEL:0784-46-6660 FAX:0784-46-7864
- SONY Component Camera Module Section(JAPAN) 2255 Okata Atsugi-shi, Kanagawa-ken 243 TEL:0462-27-2346 FAX:0462-27-2347

*Design and specifications subject to change without notice.