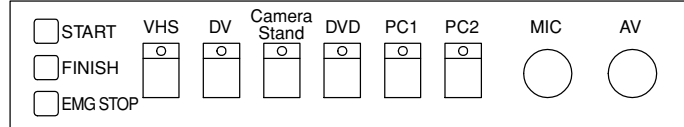


# System Configuration

## System example when operating the SRP-X700P from the REMOTE PARALLEL terminal

The REMOTE PARALLEL terminal of the SRP-X700P is shipped from the factory with the default setting on the premise of the external operation panel as described below.



START button (SCENE No. 1 recall): Sets OUTPUT7 and OUTPUT9 to ON to lower the screen, to close the curtain, to darken the illumination and to start presentation.  
 FINISH button (SCENE No. 2 recall): Sets OUTPUT8 and OUTPUT10 to ON to raise the screen, to open the curtain, to turn on the illumination and to end the presentation.  
 EMG STOP button (SCENE No. 3 recall): Sets OUTPUT7 through OUTPUT10 to OFF to stop moving the screen and the curtain, and to turn on the illumination.

Selector block: Switches the LINE4 INPUT terminals A through F.

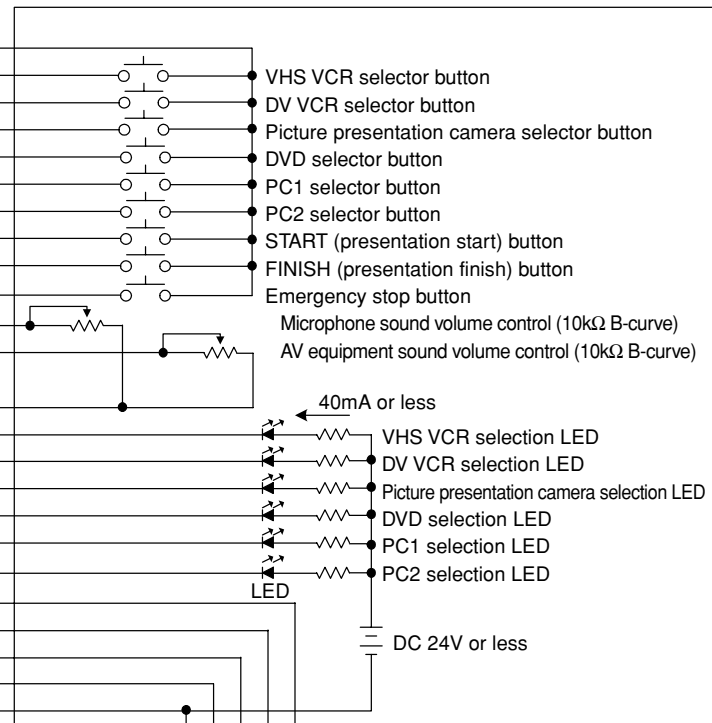
MIC volume control: Controls the microphone sound volume.

AV volume control: Controls sound volume of the AV equipment.

**SRP-X700P REMOTE PARALLEL terminal**  
D-sub 25-pin connector

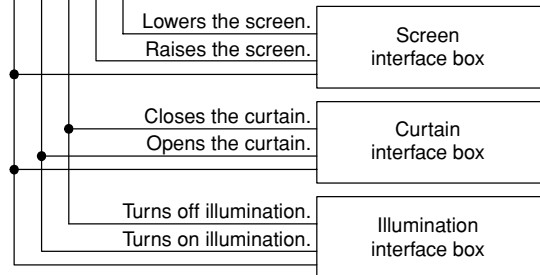
Pin No.	Terminal name	Function name
1	GND	GND
2	INPUT1	VHS selection
3	INPUT2	DV selection
4	INPUT3	Camera selection
5	INPUT4	DVD selection
6	INPUT5	PC1 selection
7	INPUT6	PC2 selection
8	INPUT7	START
9	INPUT8	FINISH
10	INPUT9	EMG STOP
11	INPUT10	Microphone sound volume
12	INPUT11	AV equipment sound volume
13	INPUT12	—
14	GND	GND
15	OUTPUT1	VHS selection tally
16	OUTPUT2	DV selection tally
17	OUTPUT3	Camera selection tally
18	OUTPUT4	DVD selection tally
19	OUTPUT5	PC1 selection tally
20	OUTPUT6	PC2 selection tally
21	OUTPUT7	Lowers the screen.
22	OUTPUT8	Raises the screen.
23	OUTPUT9	Closes the curtain/turn off illumination.
24	OUTPUT10	Opens the curtain/turn on illumination.
25	GND	GND

**External operation panel**

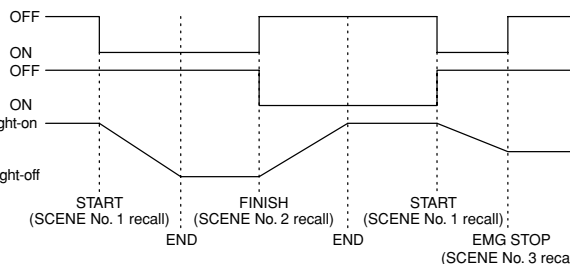


### Precaution on the environment interface box specifications

- The REMOTE PARALLEL output terminal provides the open-collector output of alternate operation. It means that the output terminal keeps outputting the ON signal after an output command is issued to move the environment equipment for scene recall and others, regardless of the operating condition of the environment equipment. The environment equipment motors should be stopped when you want to stop raising or lowering the screen or curtain, by the Interface Box.
- The Emergency Stop signal turns off the output signals at the OUTPUT7 to OUTPUT10 terminals.  
Please create an Interface Box that stops moving the screen and the curtain, and turns on illumination when the output terminals are turned off.



**OUTPUT7,9**



**OUTPUT8,10**

**Operation of environment equipment**

Raise, open and light-on  
 Stop and light-on  
 Lower, close and light-off