

Tuner Base Unit

Operating Instructions _____ **GB**

Bedienungsanleitung _____ **DE**

Wireless Channel Lists/Übertragungskanallisten _____

MB-806A

WARNING

To prevent fire or shock hazard, do not expose the unit to rain or moisture.

To avoid electrical shock, do not open the cabinet. Refer servicing to qualified personnel only.

Table of Contents

Precautions	1	Connections	7
Overview	2	Basic Connections	7
Features	2	Connection for Multichannel Operation	7
System Configuration	3	Channel Setting	8
Channel Plan	3	Automatic Search and Setting of Available Channels	9
Location of Parts and Controls	4	Operation	11
Front Panel	4	Muting Functions	12
Display	4	Error Messages	13
Rear Panel	5	Rack Mounting	13
Installing a WRU-806A/WRU-806B		Specifications	14
Tuner Unit	6	Wireless Channel Lists	L-1

Precautions

On operation

- The tuner must be used within a temperature range of 0°C to 40°C. Avoid using the tuner for extended periods at extremely high temperatures or placing it in direct sunlight, especially outdoors, because this may damage the finish of the case. Never install the tuner on or near a heat source, such as lighting equipment or power amplifiers.
- Avoid using in very humid or dusty places, because such use may shorten the life of the tuner.
- To avoid degradation of the signal-to-noise ratio, do not use the tuner in noisy places or in locations subject to vibration, such as the following:
 - near electrical equipment, such as motors, transformers or dimmers
 - near air conditioning equipment or places subject to direct air flow from an air conditioner
 - near public address loudspeakers
 - where adjacent equipment might knock against the tuner

- Switching lights on or off may produce electrical interference over the entire frequency range. Position the tuner and the wireless microphones so that interference is minimized.
- The tuner is precisely adjusted at the factory and no adjustment before use is necessary. Do not touch the inside of the tuner or try to repair it by yourself.

On cleaning

Clean the tuner with a dry, soft cloth. Never use thinner, benzene, alcohol or any other chemicals, since these may damage the finish.

Overview

These operating instructions describe the MB-806A Tuner Base Unit in which the optional WRU-806A/WRU-806B UHF Synthesized Tuner Unit is installed.

The unit is a reliable UHF synthesized diversity tuner for the Sony UHF wireless microphone system which uses the frequency bands allocated for UHF TV broadcasting.

This tuner is designed to enable simultaneous use of multiple channels when channels are selected according to the channel plan.

Installing six WRU-806A/WRU-806B UHF Synthesized Wireless Tuner Units will enable six-channel operation on the tuner.

In building up a UHF wireless microphone system, be sure to combine a microphone/transmitter and a tuner having the same TV channel number.

WRU-806B/CE57, CE62, and CE67 models

A 24-MHz frequency band is assigned to the MB-806A with WRU-806B, permitting it to operate on any of 189 receiving frequencies in 125-kHz steps of Sony original channel plan or 960 receiving frequencies in 25-kHz steps in the range of three TV channels.

The selectable channels and frequencies for these models are listed on the "Wireless Microphone System Frequency List" supplied with the WRU-806B.

WRU-806A/CE62 model

A 14 MHz frequency band is assigned to the MB-806A with WRU-806A (CE62) model, permitting it to operate on any of 111 receiving frequencies in 125-kHz steps of Sony original channel plan or 561 receiving frequencies in 25-kHz steps of German User Group in the range of TV channels 62 and 63.

The selectable wireless channels and frequencies for this model are listed pages L-3 through L-8.

WRU-806A/CE69 model

An 8-MHz frequency band is assigned to the MB-806A with WRU-806A (CE69) model, permitting it to operate on any of 64 receiving frequencies in 125-kHz steps of Sony original channel plan in the range of TV channel 69 or 14 receiving frequencies in 25-kHz steps of UK General Use.

The selectable wireless channels and frequencies for this model are listed on page L-9.

WRU-806A/AU66 model

An 14 MHz frequency band is assigned to the MB-806A with WRU-806A (AU66) model, permitting it to operate on any of 102 receiving frequencies in 125-kHz steps of Sony original channel plan in the range of TV channel 66 and 67.

The selectable wireless channels and frequencies for this model are listed on pages L-10 and L-11.

Features

Phase Locked Loop (PLL) synthesized system

The tuner has a refined phase locked loop (PLL) synthesizer circuit.

Preprogrammed wireless channel plan for simultaneous multichannel operation

The tuner has many preprogrammed, easily settable channels for simultaneous multichannel operation.

Modular multichannel reception

By installing optional WRU-806A/WRU-806B UHF Synthesized Tuner Units, you can receive up to six channels on one MB-806A unit.

Versatile display

A liquid-crystal display provides a variety of information, including the levels of the reception channels, RF information and transmitter battery alarm.

Space diversity reception system

The tuner provides stable signal reception with minimum dropout.

Tone squelch circuit for noise elimination

A built-in squelch circuit eliminates noise and signal interference when the tuner is in signal reception standby mode.

Companion system

A companion (compressor/expander) system enables stabilized wireless transmission over a wide dynamic range.

Rack mounting

The MB-806A can be mounted in an EIA standard 19-inch rack (1 U size).

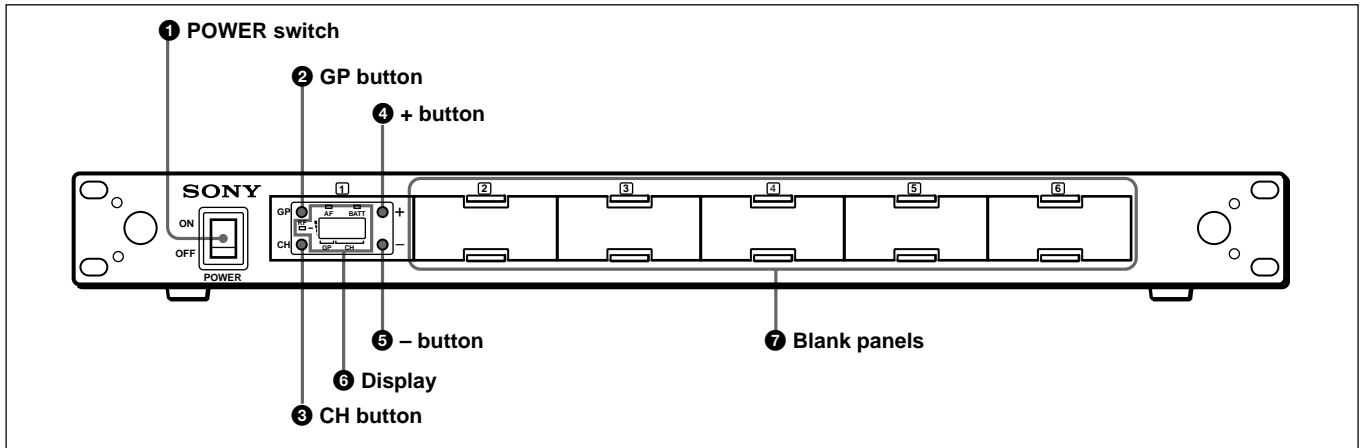
Channel Plan

The tuner stores several groups of channels. See “Overview of Channel Plan” in the “Wireless Channel Lists” section.

Channel groups other than group 00 are designed so that all channels of one group can be used simultaneously within the same UHF wireless microphone system without causing intermodulation. It is therefore recommended that you usually use a channel group other than group 00 unless the use of group 00 is specifically necessary.

Location of Parts and Controls

Front Panel



1 POWER switch

Turns the power on and off.

2 GP (group) button

To change the group, press the + or – button while holding this button down.

3 CH (channel) button

To change the channel in a group, press the + or – button while holding this button down.

4 + button

To go to a higher group or channel, press this button while holding the GP or CH button. Press this button changes the indication from GP/CH to frequency.

5 – button

To go to a lower group or channel, press this button while holding the GP or CH button.

6 Display

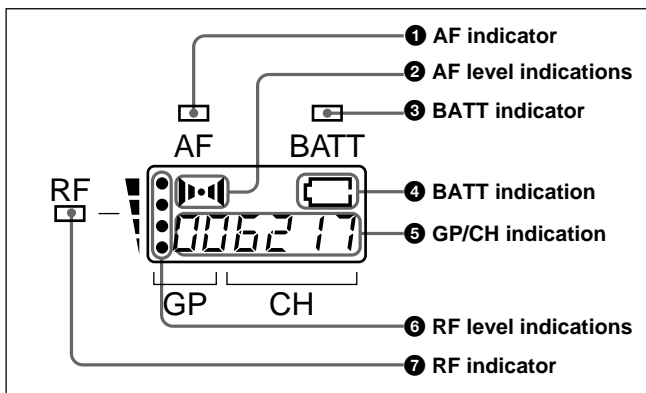
Displays the status of the tuner and the group and channel assigned to the unit.

For details, see the following section “Display”.

7 Blank panels

Remove these panels to install optional WRU-806A/WRU-806B UHF Synthesized Tuner Units.

Display



1 AF (audio frequency) indicator

2 AF (audio frequency) level indications

The indicator lights and the indications appear when the audio output level is higher than the reference level.

3 BATT (battery) indicator

4 BATT (battery) indication

Indicate the condition of the wireless microphone transmitter batteries. The indicator and indication appear and start flashing about one hour before the transmitter batteries go flat.

The time at which flashing begins will depend on the type of battery used in the transmitter, and its condition.

5 GP/CH (group/channel) indication

Shows the reception channel group and respective channel number.

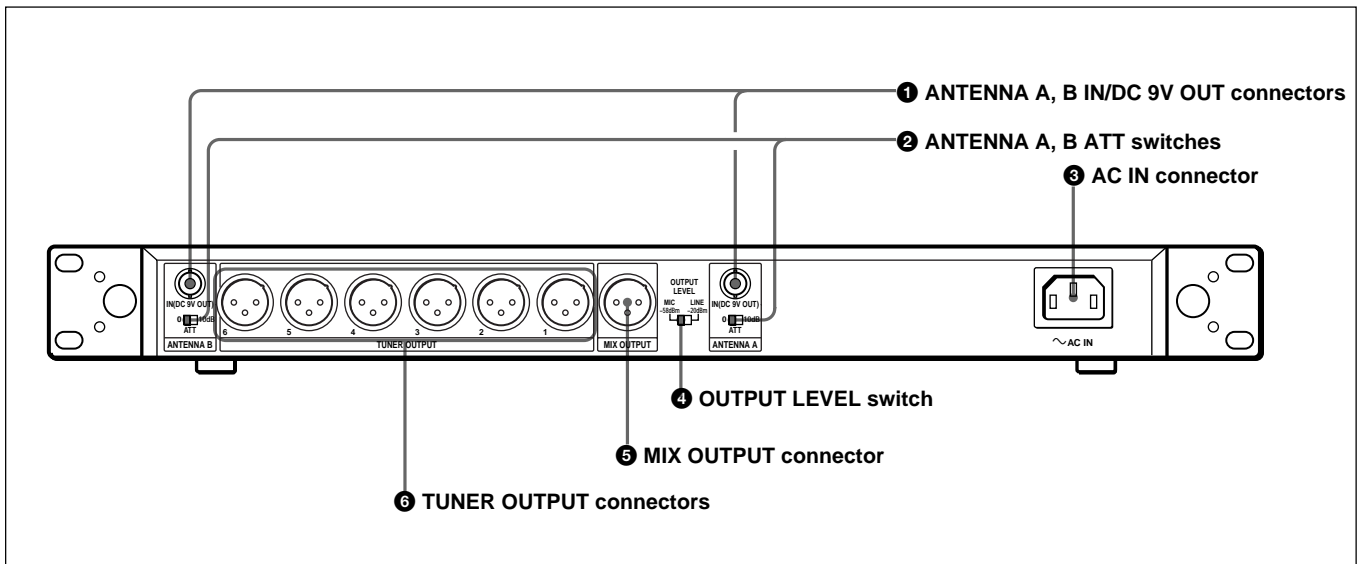
Pressing the + button changes this indication to the frequency indication.

6 RF (radio frequency) level indications

7 RF (radio frequency) indicator

The indicator lights and the indications (dots) appear when the antenna reception is optimal. Depending on the RF input level, the number of dots changes.

Rear Panel



1 ANTENNA A, B IN/DC 9V OUT (antenna A, B input/DC power output) connectors (BNC type)
Connect the supplied antenna or an optional AN-820A UHF Antenna. To connect two of these units, these connectors are connected to the ANTENNA OUT connectors of the WD-820A UHF Antenna Divider. When the AN-820A is connected, 9 V DC power is supplied to the antenna's internal booster through these connectors.

Note

Never short-circuit these connectors.

2 ANTENNA A, B ATT (attenuation) switches
Select the RF attenuation as 0 dB or 10 dB. Usually set the switches to 0 dB. If noise generates or sound discontinues due to interference, set the switches to 10 dB. It is recommended that you set the switches as follows depending on the antennas connected to the ANTENNA A, B IN/DC 9V OUT connectors.

Using the supplied antenna: 0 dB

Using an optional AN-820A UHF Antenna (with a WD-820A Antenna Divider): 10 dB when the coaxial cable (5D-2V, RG-212/U or equivalent) connecting the antennas and tuner is 30 m (100 feet) or less, or 0 dB when the cable is over 30 m (100 feet)

3 AC IN connector
Connects to an AC power source with the supplied AC power cord.

4 OUTPUT LEVEL switch
Selects the mixed output level and tuner output level as -20 dBm or -58 dBm. Set this switch according to the input level of the equipment connected to the unit.

5 MIX OUTPUT connector (XLR type)
Supplies mixed audio signals of six tuner units. You can connect this to the audio input connector of a mixer, amplifier or similar equipment.

6 TUNER OUTPUT (tuner sound output) (XLR type)
Each connector supplies the audio signal from the corresponding tuner unit. You can connect this to the audio input connector of a mixer, amplifier, or similar equipment.

Installing a WRU-806A/WRU-806B Tuner Unit

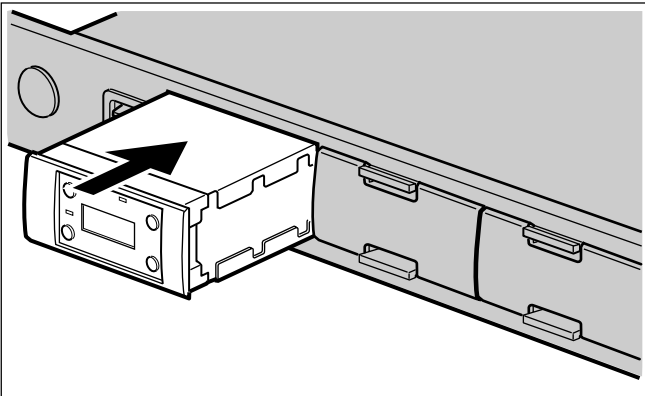
Up to six WRU-806A/WRU-806B UHF Synthesized Tuner Units can be installed.

Notes

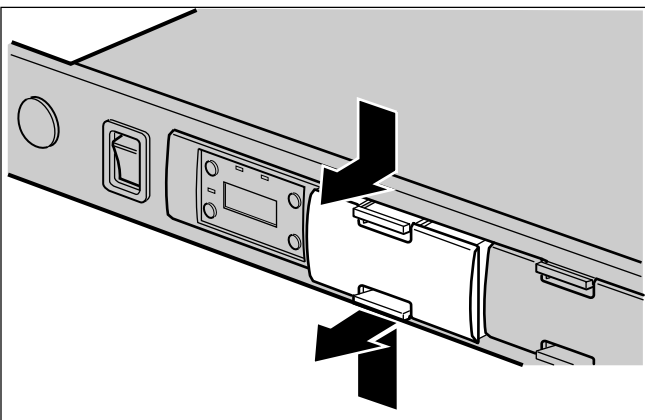
- Be sure to power this unit off before installing the WRU-806A/WRU-806B.
- The buttons and display on the front panel of the WRU-806A/WRU-806B may be damaged if they are gripped too strongly. Always hold the WRU-806A/WRU-806B by the side.
- Do not touch the connectors on the rear panel of the WRU-806A/WRU-806B.
- Be careful of static electricity.

Installing a WRU-806A/WRU-806B

- 1 Hold the WRU-806A/WRU-806B by the side and insert into the slot. Push in until you hear a click.

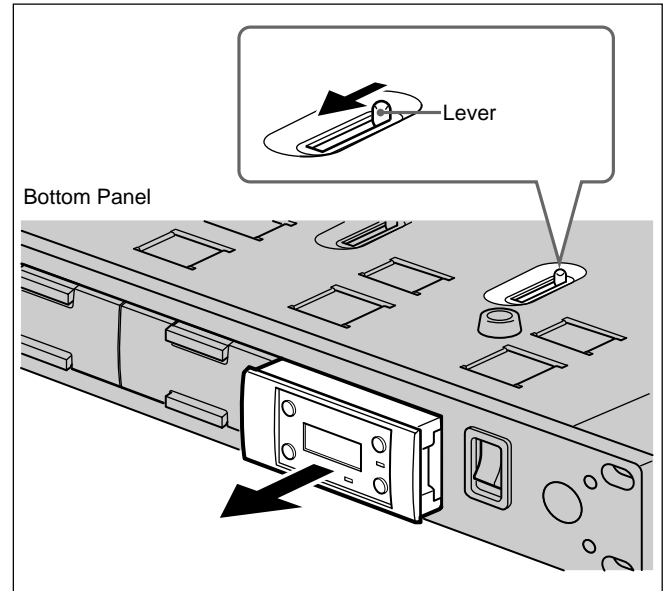


- 2 To install two or more units, detach the necessary number of blank panels by pushing in the top and bottom tabs of each panel and pulling the panel out. Then do step 1 for each unit.



Removing a WRU-806A/WRU-806B

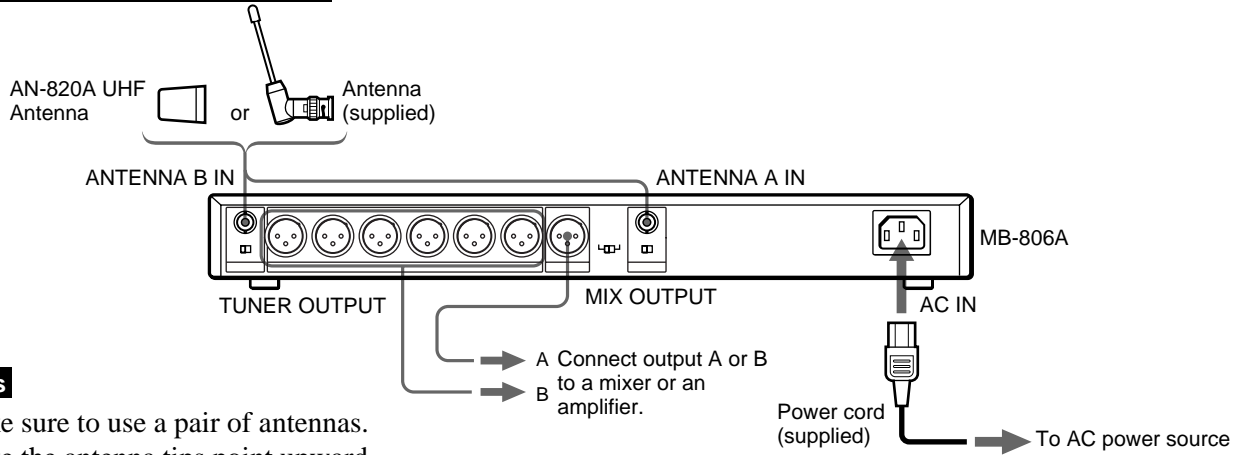
On the bottom panel of the tuner, locate the lever corresponding to the slot where the WRU-806A/WRU-806B is installed and pull the lever forward. The WRU-806A/WRU-806B is ejected from the slot.



Connections

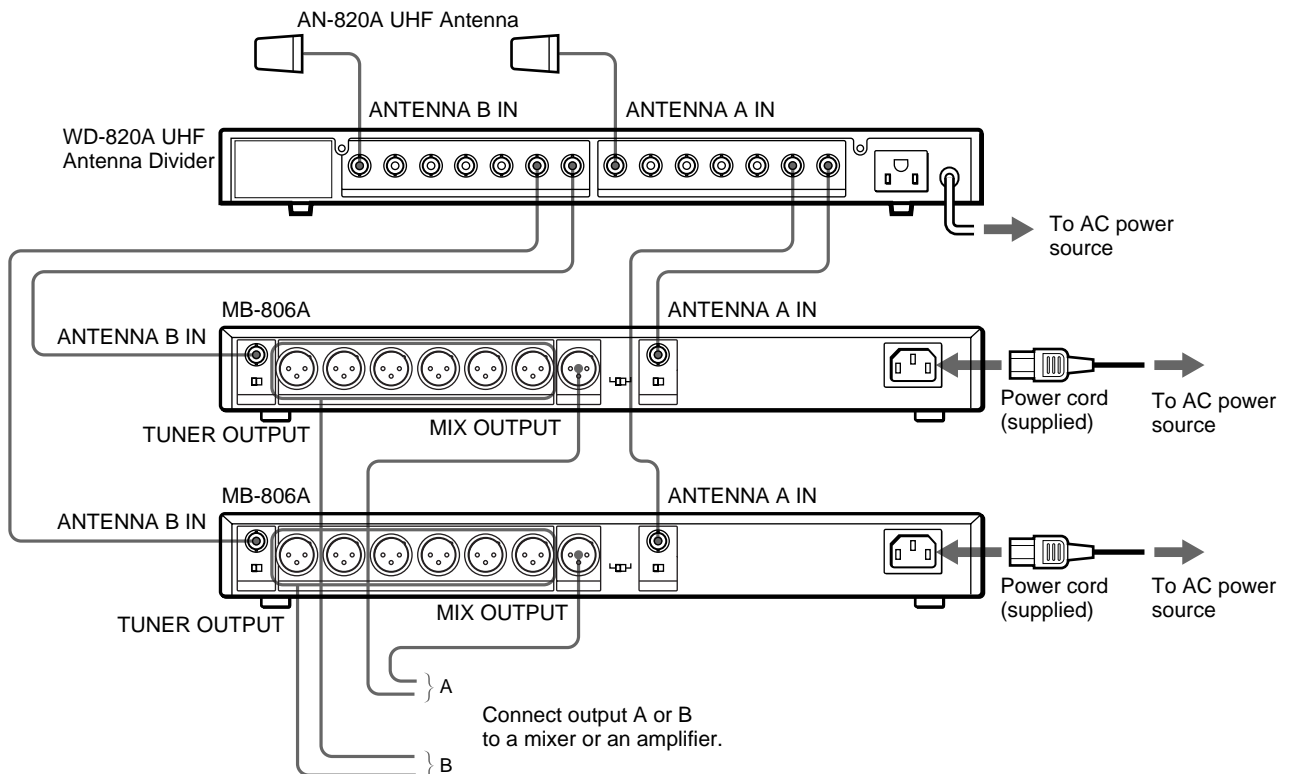
Basic Connections

When using 1 to 6 channels



Connection for Multichannel Operation

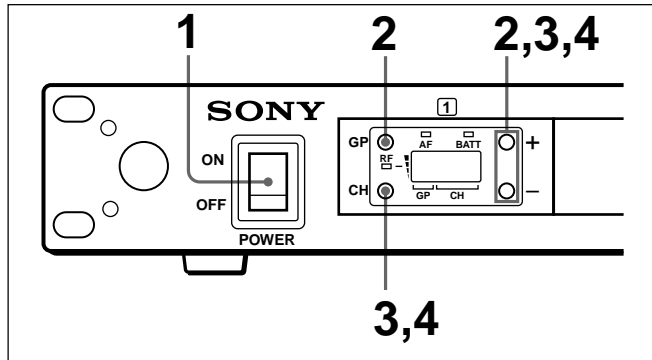
When using 7 channels or more



Channel Setting

Take the following precautions to prevent interference and noise.

- If there is a TV broadcasting station nearby, to avoid possible interference from its broadcasting, do not use that station's channel.
- When simultaneously using two or more tuners, always set the tuners to different channels within the same group (other than group 00).



1 Turn the POWER switch on.

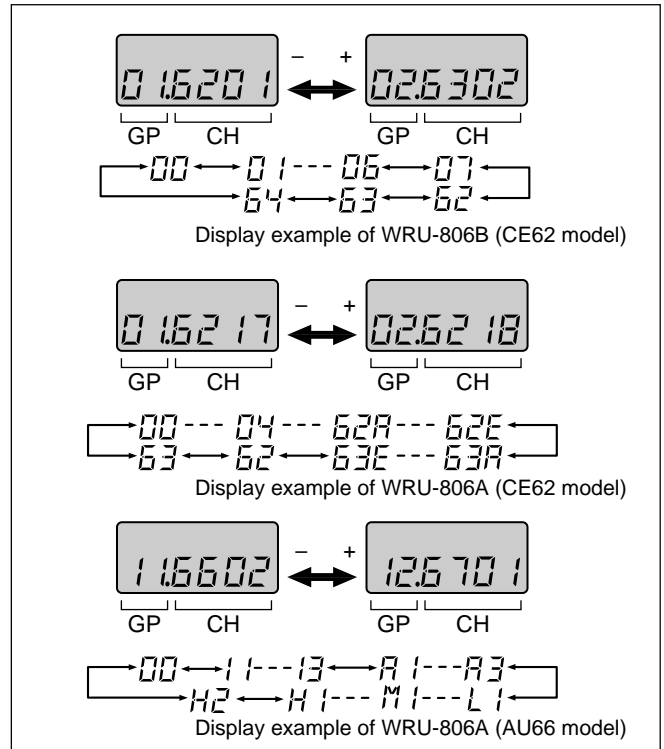
The model version number such as “CE62” or “CE67” appears on the display, and then the current tuner status is displayed.

Note

Turn the POWER switch on after reducing the volume of equipment connected to the TUNER OUTPUT connector. Otherwise, noise will be heard when the power is turned on.

2 Press and hold down the GP button, and press the + or – button to select a group.

Each time you press the + or – button, the GP indication changes as shown in the following figure. To change the indication continuously, press and hold down the + or – button.



The CH indication shows the lowest frequency channel of the selected group. For group 00, however, the channel selected last is displayed. Releasing the buttons automatically cancels the group and channel selection mode, and the currently displayed group is selected.

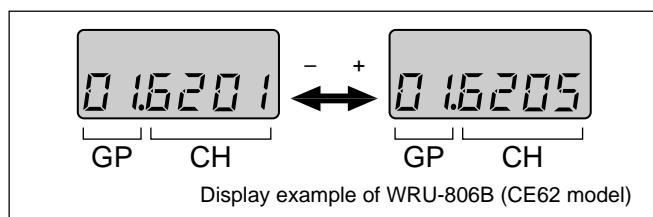
See “Wireless Channel Lists” on page L-1 (for WRU-806A users) or refer to “Wireless Microphone System Frequency List” supplied with the WRU-806B (for WRU-806B users).

- 3** Press and hold down the CH button, and press the + or – button in 3 seconds to select a channel.

Similar to step 2, each time you press the + or – button, the CH indication changes in the order shown in the group and reception channel list.

See “Wireless Channel Lists” on page L-1 (for WRU-806A users) or refer to “Wireless Microphone System Frequency List” supplied with the WRU-806B (for WRU-806B users).

If you press the + button when the last channel of the selected group is displayed, the first channel of the group will be displayed.



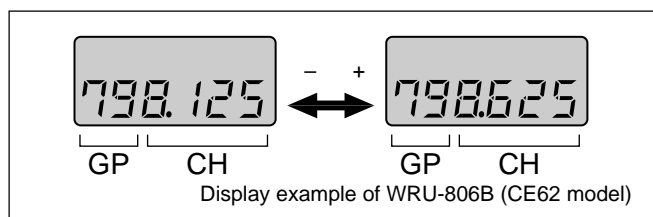
Selecting the reception channel by frequency

Press the + button.

This changes the GP/CH indication to a frequency indication.

To change a frequency, press the + or – button while keeping the CH button pressed. (A higher or lower frequency will be displayed.)

Press the + button again to change the frequency indication to a GP/CH indication.



- 4** If the desired channel or frequency is displayed, release the CH button and + or – button.

The selected channel is set.

To store the selected group and channel

Leave the indication unchanged for 1 second.

The group and channel set in the procedure explained above are stored in memory.

Automatic Search and Setting of Available Channels

When you use the MB-806A Base Unit in a multi-channel operation system, you can assign available channels to all tuner units by operating the first tuner unit only.

Note

Auto channel assignment function is available only when the tuner base unit holds the tuner units in the same TV channels.

- 1** Power off all wireless microphones and transmitters.
- 2** On the first tuner unit, select the group to be used.
- 3** Press the CH button on the first tuner unit and hold it down for 3 seconds.

The first tuner unit searches for available channels in the selected group, and available channels in the group are so assigned to all tuner units automatically that two or more tuner units may not use the same channel.

After automatic setting, you can adjust the groups and channels of individual tuner units.

Notes

- Do not use group 00.
- If no channels are available, “NO CH” is displayed and channel setting is aborted.

When using two MB-806A Base Units

When you use two base units, proceed as follows to ensure that the two tuner units do not use the same channel settings.

- 1** Follow the procedure explained above to set the group and channel of the first base unit.
- 2** Power on the wireless microphones or transmitters after adjusting them to the channels of each tuner unit.

Note

If the microphones or transmitters are not powered on, the two tuner units may use the same channel twice.

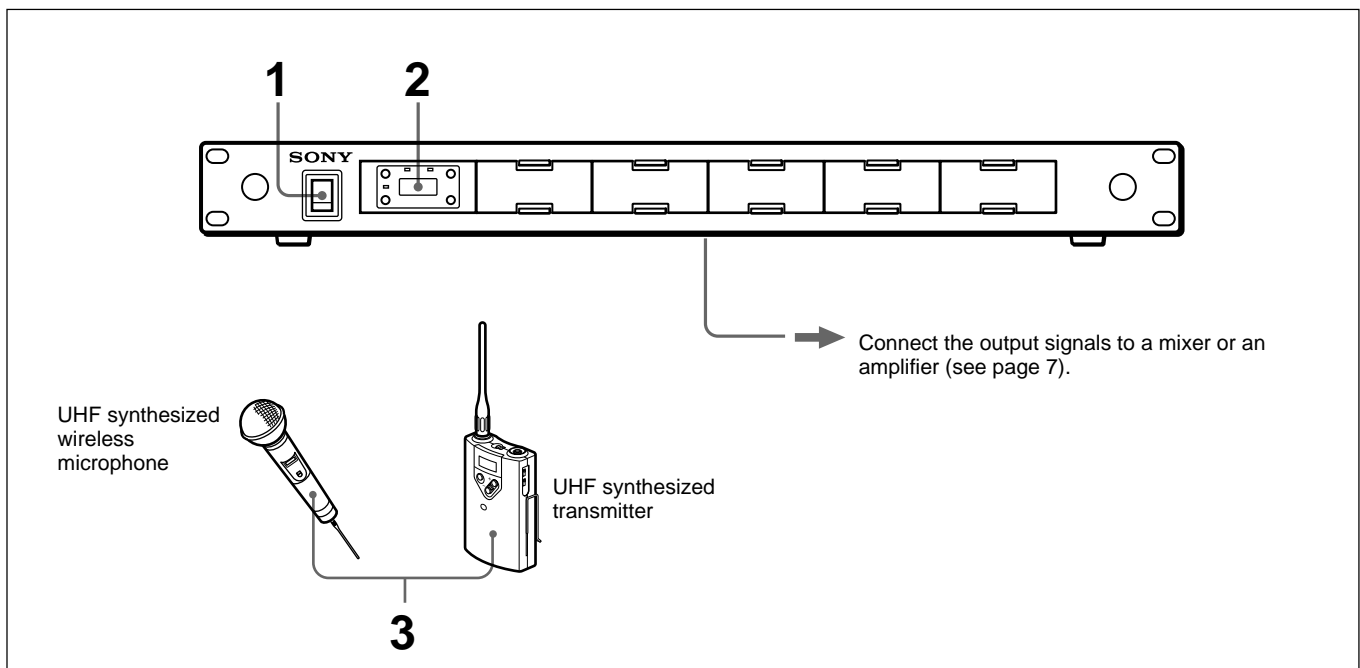
- 3** On the first tuner unit of the second base unit, set the same group as selected on the first base unit.
- 4** Press the CH button of the first tuner unit on the second base unit and hold it down for 3 seconds.

Available channels in the same group (channels not used by the first base unit) are automatically set on the first tuner unit and the other tuner units on the second base unit.

Note

If automatic channel setting does not function well for the second base unit (due to poor reception), set channels manually for the second base unit.

Operation



- 1 Turn the POWER switch on.

Note

Turn the POWER switch on after reducing the volume of the equipment connected to the TUNER OUTPUT connector. Otherwise, noise will be heard when the POWER switch is turned on.

- 2 Set the reception channel.

For details on setting the channels on the tuner, see "Channel Setting" on page 8.

- 3 Turn on the wireless microphone or transmitter. Use the wireless microphone or transmitter to which the same channel is assigned as to the tuner.

If noise is heard

Depending on the environment where the system is installed, outside noise or radio wave may disrupt the transmission of certain channels.

To select a channel under this circumstance, turn off the wireless microphone and transmitter. Then select a channel at which the RF indicator is off. (A channel free from noise or radio wave interference is selected.) Set the same channel on the microphone or transmitter.

Note

To eliminate interference or noise, please note the following.

- Do not use two or more wireless microphones or transmitters whose wireless channels are the same.
- Separate the reception antennas and the transmitter by more than 3 meters.
- The number of wireless microphone channels actually usable in a multi-channel system may be smaller than the normal capacity of that system if there is interference from TV broadcasting or other RF signals.
- When operating two or more UHF wireless microphone systems using the same wireless channel in the same group, ensure that the systems are at least 100 m¹⁾ apart as far as they are installed within sight of each other.

1) The distance depends on the operating environment and conditions.

Muting Functions

This tuner has the following three muting functions, which work in combination.

(1) Muting by RF input level

As sufficient S/N for the audio output may not be obtained if no RF signal is received or the RF input level is low, the audio output can be muted when the RF input level falls below the muting level.

(2) Tone squelch

The audio output is obtained only when the tuner receives an RF signal which includes a specified tone signal. The audio output is muted to eliminate noise which may be heard when the transmitter is turned on/off or the tuner receives an interference RF signal.

(3) Noise squelch

The audio output is muted to eliminate noise which may be heard when there is such excessive interference RF signal that the tone squelch does not work.

To turn off the muting functions

While holding down the GP and CH buttons, turn the POWER switch to ON. All indications momentarily appear, then go off. "OFF" is then displayed. This procedure cancels all three muting functions at the same time.

To turn on the muting functions

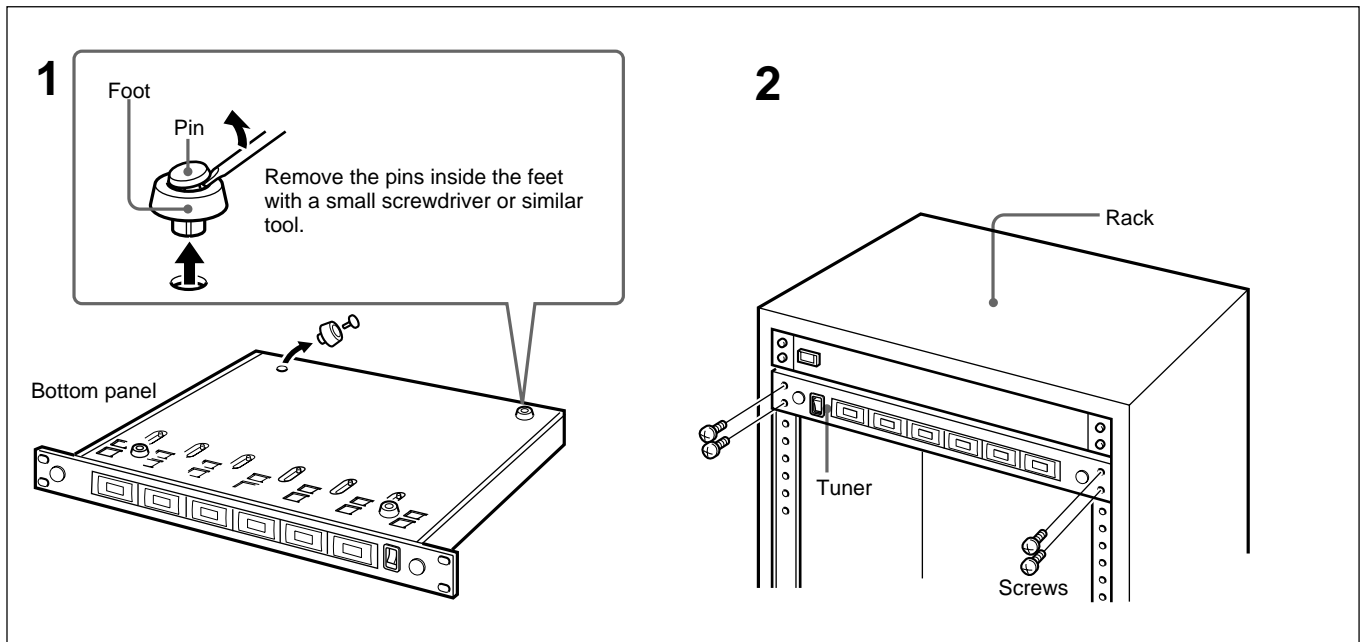
Turn the POWER switch to OFF, then to ON again. The three muting functions are activated at the same time.

Error Messages

Apart from the normal indications, the following error messages may appear on the display.

Message	Meaning	Remedy
Err 01	An error has occurred in the backup memory data.	Contact your nearest Sony dealer.
Err 02	The PLL-synthesized circuit has a malfunction.	Contact your nearest Sony dealer.
NO TONE	As no tone signal is available or a tone signal other than 32.768 kHz is being received, the audio signal output is muted.	Make sure thta the transmitter is turned on. If it is, then the problem lies in the transmitter's tone signal generator or the tuner's tone squelch circuit. Contact your nearest Sony dealer. If you are using a WRT-810A (AU66) wireless microphone, a "NO TONE" message appears when you turn off the AF switch, but this is normal.

Rack Mounting



Specifications

Tuner (with WRU-806A or WRU-806B)

Reception type	Space diversity
Circuit system	Dual conversion superheterodyne
Operating frequency range (MB-806A alone)	758 to 862 MHz
Reception frequencies	Refer to the Operating Instructions supplied with the WRU-806A or WRU-806B, respectively
Local oscillators	Crystal controlled PLL synthesizer
Selectivity	60 dB or more (at ± 250 kHz detuned)
Spurious rejection ratio	70 dB or more
Image rejection ratio	60 dB or more
Muting level	30 dB μ ¹⁾
Antenna connectors	BNC-R type (2), 50 ohms
Frequency response	100 to 15,000 Hz ± 3 dB
De-emphasis	50 μ s
Signal-to-noise ratio	40 dB or more at an A-weighted RF input level of 20 dB μ 60 dB or more at an A-weighted RF input level of 60 dB μ (± 5 kHz deviation at 1 kHz modulation)
Distortion	1% or less (± 40 kHz deviation at 1 kHz modulation)
Tone signal frequency	32.768 kHz
Output level	LINE -20 dBm ²⁾ (± 5 kHz deviation at 1 kHz modulation) MIC -58 dBm (± 5 kHz deviation at 1 kHz modulation)
Mix output level	LINE -20 dBm (± 5 kHz deviation at 1 kHz modulation) MIC -58 dBm (± 5 kHz deviation at 1 kHz modulation)
Output impedance	150 ohms
Output connectors	XLR-3-32 type

General

Power requirements	100 to 240 V AC, 50/60 Hz
Power consumption	30 W
Power supply for antenna boosters	9 V DC (max. 100 mA)
Operating temperature	0°C to 40°C
Storage temperature	-20°C to +55°C
Dimensions	482 \times 44 \times 300 mm (w/h/d)
Mass	Approx. 3.6 kg (without tuner units)

Accessories supplied

AC power cord (1)
Antennas (2)
Operating Instructions (1)

Design and specifications are subject to change without notice.

1) 0 dB μ = 1 μ V_{EMF}

2) 0 dBm = 0.775 V_{rms} (600 ohms loaded)

VORSICHT

Um Feuergefahr und die Gefahr eines elektrischen Schlages zu vermeiden, darf das Gerät weder Regen noch Feuchtigkeit ausgesetzt werden.

Um einen elektrischen Schlag zu vermeiden, darf das Gehäuse nicht geöffnet werden. Überlassen Sie Wartungsarbeiten stets nur qualifiziertem Fachpersonal.

Zur besonderen Beachtung	1	Anschluß	7
Überblick	2	Grundlegender Anschluß	7
Merkmale	2	Anschluß für Mehrkanalbetrieb	7
Bestandteile	3	Kanalwahl	8
Kanalplan	3	Automatische Suche und Einstellung der verfügbaren Kanäle	9
Lage und Funktion der Teile	4	Betrieb	11
Vorderseite	4	Rauschsperrung	12
Display	4	Fehlermeldungen	13
Rückseite	5	Einbau in ein Gestell	13
Einbau einer Empfangseinheit WRU-806A/ WRU-806B	6	Technische Daten	14
		Übertragungskanalisten	L-1

Zur besonderen Beachtung

Betrieb

- Das Gerät ist für Umgebungstemperaturen zwischen 0 °C und 40 °C ausgelegt. Betreiben Sie es nicht längere Zeit bei hohen Temperaturen. Insbesondere beim Betrieb im Freien sollte darauf geachtet werden, daß das Gerät keinem prallen Sonnenlicht ausgesetzt ist. Starkes Sonnenlicht schadet dem Gehäuse. Stellen Sie das Gerät auch nicht in die Nähe von Lampen, Verstärkern oder anderen wärmeabstrahlenden Geräten.
- Halten Sie das Gerät von Feuchtigkeit und Staub fern, um eine lange Lebensdauer sicherzustellen.
- Achten Sie darauf, daß das Gerät keinen Vibrationen ausgesetzt ist. Stellen Sie es nicht an folgende Plätze, da sonst Störgeräusche auftreten können:
 - Nähe von Motoren, Transformatoren, Dimmern oder anderen elektrischen Komponenten
 - Nähe von Klimaanlage und Luftauslässen von Klimaanlage
 - Nähe von Lautsprechern
 - Plätze, an denen das Gerät an andere Komponenten anstößt

- Beim Ein- und Ausschalten des Lichtes können auf allen Frequenzen Störgeräusche auftreten. Betreiben Sie den Tuner und die Mikrofone an Plätzen, an denen solche Störgeräusche möglichst gering sind.
- Das Gerät wurde werkseitig exakt abgeglichen. Vor dem Betrieb sind keinerlei Einjustierungen erforderlich. Öffnen Sie das Gerät nicht und versuchen Sie nicht, das Gerät selbst zu reparieren.

Reinigung

Verwenden Sie zum Reinigen ein trockenes, weiches Tuch. Verdünner, Benzin, Alkohol und Chemikalien dürfen nicht verwendet werden, da sie das Gehäuse angreifen.

Diese Bedienungsanleitung beschreibt die Tuner Base Unit MB-806A mit eingebautem optionalem UHF-Tuner WRU-806A/WRU-806B.

Dieser Tuner dient zum Empfang der Signale eines Sony UHF-Mikrofonsystems. Dank der Diversity-Funktion gewährleistet der Tuner einen zuverlässigen Empfang.

Wenn die Kanäle entsprechend des Kanalplans gewählt werden, ist ein simultaner Betrieb auf mehreren Kanälen möglich.

In den Tuner können sechs UHF-Empfangeinheiten WRU-806A/WRU-806B eingebaut werden. Es ist dann ein Betrieb auf sechs Kanälen möglich.

Achten Sie bei der Zusammenstellung eines UHF-Mikrofonsystems darauf, daß Mikrofon/Sender und Tuner dieselbe TV-Kanalnummer besitzen.

Modelle WRU-806B/CE57, CE62 und CE67

Dem MB-806A mit WRU-806B ist ein 24-MHz-Frequenzband zugeordnet, womit unter Sonys Kanalplan 189 Empfangsfrequenzen in 125-kHz-Schritten zur Verfügung stehen, oder 960 Empfangsfrequenzen in 25-kHz-Schritten im Bereich von drei Fernsehkanälen.

Die für diese Modelle verfügbaren Kanäle und Frequenzen sind in der "Frequenzliste für das UHF-Mikrofonsystem" aufgeführt, die zum Lieferumfang des WRU-806B gehört.

Modell WRU-806A/CE62

Die Kanäle des Modells MB-806A mit WRU-806A (CE62) erstrecken sich über einen 14 MHz breiten Frequenzbereich. Dieses Modell besitzt 111 Empfangsfrequenzen mit 125-kHz-Raster (nach Sony Kanalplan) bzw. 561 Empfangsfrequenzen mit 25-kHz-Raster im Bereich der TV-Kanäle 62 und 63 (nach der deutschen Benutzergruppe).

Die wählbaren Kanäle und die Frequenzen dieses Modells finden Sie in den Tabellen von Seite L-3 bis L-8.

Modell WRU-806A/CE69

Die Kanäle des Modells MB-806A mit WRU-806A (CE69) erstrecken sich über einen 8 MHz breiten Frequenzbereich. Dieses Modell besitzt 64 Empfangsfrequenzen mit 125-kHz-Raster im TV-Kanal 69 (nach Sony Kanalplan) bzw. 14 Empfangsfrequenzen mit 25-kHz-Raster (nach Kanalplan für allgemeine Verwendung in Großbritannien).

Die wählbaren Kanäle und die Frequenzen dieses Modells finden Sie in den Tabellen von Seite L-9.

Merkmale

PLL-Synthesizersystem (Phase Locked Loop)

Der Tuner ist mit einem modernen PLL-Synthesizer-Schaltkreis ausgestattet.

Fest gespeicherter Kanalplan für simultanen Mehrkanalbetrieb

Eine große Anzahl von Kanälen ist im Tuner fest einprogrammiert. Mit den Bedienungselementen auf der Vorderseite können diese Kanäle bequem eingestellt werden.

Modulare Empfangseinheiten für Mehrkanalbetrieb

Wenn zusätzliche UHF-Empfangeinheiten WRU-806A/WRU-806B in den Tuner eingebaut werden, ist ein simultaner Empfang von bis zu sechs Kanälen mit dem MB-806A möglich.

Informatives Display

Das Flüssigkristalldisplay zeigt verschiedene Informationen wie beispielsweise die Empfangsfeldstärke und eine Warnmeldung bei schwacher Sendebatterie an.

Diversity-Funktion für stabilen Empfang in großen Räumen

Dank der Diversity-Funktion ermöglicht der Tuner auch in großen Räumen einen stabilen Empfang ohne Aussetzer.

Effektive Rauschsperrung

Der eingebaute Squelch-Schaltkreis unterdrückt das Rauschen und Interferenzstörungen, wenn sich der Tuner in Empfangsbereitschaft befindet.

Compander-System

Das Compander-System (bestehend aus Kompressor und Expander) gewährleistet auch bei Signalen mit großem Dynamikumfang eine hohe Übertragungsqualität.

Einbau in ein Gestell

Der Tuner MB-806A kann in ein 19 Zoll EIA-Normgestell eingebaut werden (Größe 1 U).

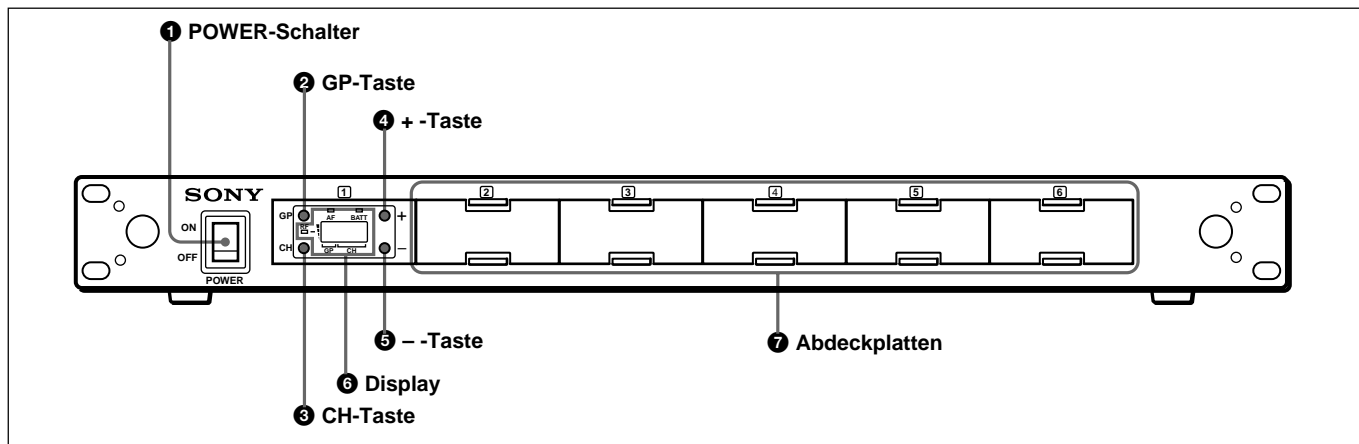
Kanalplan

Es können mehrere Kanalgruppen gespeichert werden. Siehe „Überblick über die Kanäle“ in Abschnitt „Übertragungskanalplan“.

Bei den Gruppen anders als 00 sind die Abstände zwischen den Kanälen so groß, daß auf allen Kanälen ein simultaner Betrieb von UHF-Mikrofonen möglich ist, ohne daß es zu Interferenzstörungen kommt. Die Gruppe 00 bietet zwar die größte Anzahl an Kanälen, sie sollte jedoch nur dann verwendet werden, wenn es unbedingt erforderlich ist.

Lage und Funktion der Teile

Vorderseite



1 POWER-Schalter

Zum Ein- und Ausschalten des Geräts.

2 GP-Taste

Zum Ändern der Gruppe gedrückt halten und die Taste + oder - drücken.

3 CH-Taste

Zum Ändern des Kanals einer Gruppe gedrückt halten und die Taste + oder - drücken.

4 + -Taste

Drücken, um auf eine höhere Gruppe oder Kanal zu gehen, wenn gleichzeitig die GP- oder CH-Taste gedrückt gehalten wird.
Bei Drücken dieser Taste wechselt die Anzeige von GP/CH auf die Frequenz.

5 - -Taste

Drücken, um auf eine niedrigere Gruppe oder Kanal zu gehen, wenn gleichzeitig die GP- oder CH-Taste gedrückt gehalten wird.

6 Display

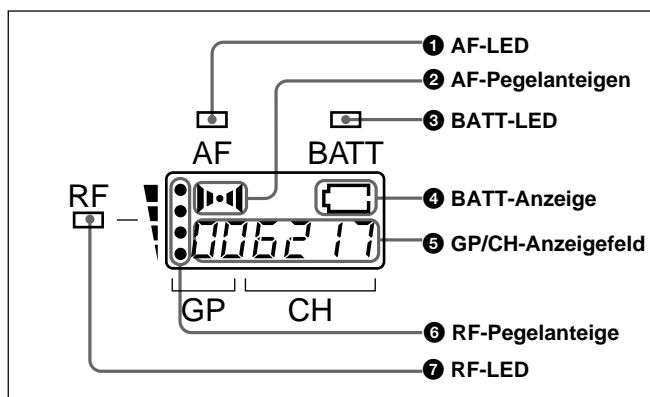
Zeigt den Status des Geräts sowie die Gruppen- und Kanalnummer an.

Einzelheiten finden Sie unter „Display“.

7 Abdeckplatten

Nach Entfernen der Abdeckplatten können zusätzliche UHF-Empfangeinheiten WRU-806A/WRU-806B eingebaut werden.

Display



1 AF-LED

2 AF-Pegelanteigen

Die LED leuchtet und die Anzeige erscheinen, wenn der Tonausgangspegel über dem Referenzpegel liegt.

3 BATT-LED

4 BATT-Anzeige

An der LED und der Anzeige kann der Zustand der Batterie des Mikrofon senders erkannt werden. Etwa eine Stunde, bevor die Batterie leer ist, beginnen die LED und die Anzeige zu blinken.

Der Zeitpunkt, an dem das Blinken beginnt, ist abhängig vom Typ und Zustand der Batterie im Transmitter.

5 GP/CH-Anzeigefeld

Zeigt die Gruppen- und Kanalnummer an.

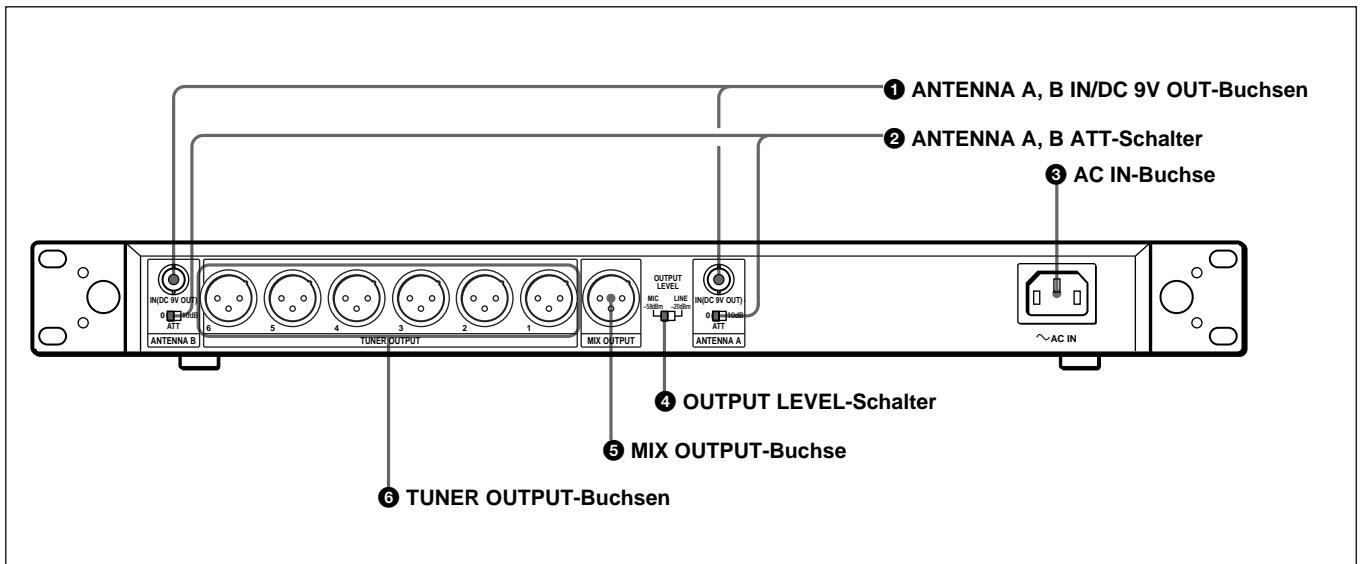
Durch Drücken der + -Taste kann auf Anzeige der Frequenz umgeschaltet werden.

6 RF-Pegelanteige

7 RF-LED

Bei gutem Empfang leuchten die LED und die Punkte der Anzeige auf. Die Anzahl der leuchtenden Punkte ist ein Maß für die Stärke des Empfangssignals.

Rückseite



1 ANTENNA A, B IN/DC 9V OUT-Buchsen (BNC-Typ)

Für den Anschluß der mitgelieferten Antenne oder einer optionalen Antenne AN-820A. Für den Anschluß von zwei Antennen sind diese Buchsen mit den ANTENNA OUT-Buchsen des Antennenteilers WD-820A verbunden.

Bei Anschluß einer AN-820A wird der interne Booster der Antenne über diese Buchsen mit 9 V Gleichstrom versorgt.

Hinweis

Schließen Sie Buchsen niemals kurz.

2 ANTENNA A, B ATT-Schalter

Mit diesen Schaltern kann zwischen einer UHF-Signalbedämpfung von 0 dB und 10 dB umgeschaltet werden. Stellen Sie beide Schalter im Normalfall auf 0 dB. Wenn aufgrund von Interferenzen Rauschstörungen oder Tonausfälle auftreten, stellen Sie sie auf 10 dB.

Abhängig von den an die ANTENNA A, B IN/DC 9V OUT-Buchsen angeschlossenen Antennen empfehlen sich die folgenden Schaltereinstellungen.

Mitgelieferte Antenne: 0 dB

Optionale Antenne AN-820A (mit Antennenteiler WD-820A): 10 dB, wenn das Koaxialkabel (5D-2V, RG-212/U oder gleichwertig) zwischen Antennen und Tuner 30 m oder kürzer ist; 0 dB, wenn das Kabel länger als 30 m ist

3 AC IN-Buchse

Diese Buchse dient zum Anschluß des mitgelieferten Netzkabels.

4 OUTPUT LEVEL-Schalter

Mit diesem Schalter können der Pegel des Mischsignalausgangs und der Tunerausgangspegel zwischen -20 dBm und -58 dBm umgeschaltet werden.

Stellen Sie den Schalter entsprechend des Eingangspegels des angeschlossenen Geräts an.

5 MIX OUTPUT-Buchse (XLR-Typ)

Diese Buchse gibt ein Mischsignal der sechs Empfangseinheiten aus. Verbinden Sie sie mit dem Audioeingang eines Mixers, Verstärkers usw.

6 TUNER OUTPUT-Buchsen (XLR-Typ)

Über diese Buchsen werden die Signale der einzelnen Empfangseinheiten ausgegeben. Verbinden Sie sie mit dem Audioeingang eines Mixers, Verstärkers usw.

Einbau einer Empfangseinheit WRU-806A/WRU-806B

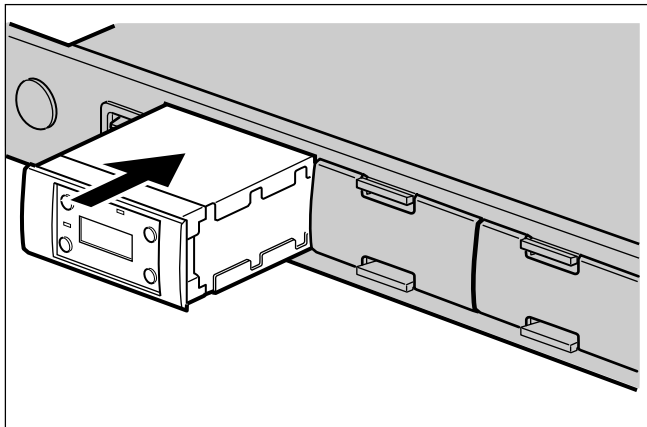
Bis zu sechs zusätzliche UHF-Empfangseinheiten WRU-806A/WRU-806B können in den Tuner eingebaut werden.

Hinweise

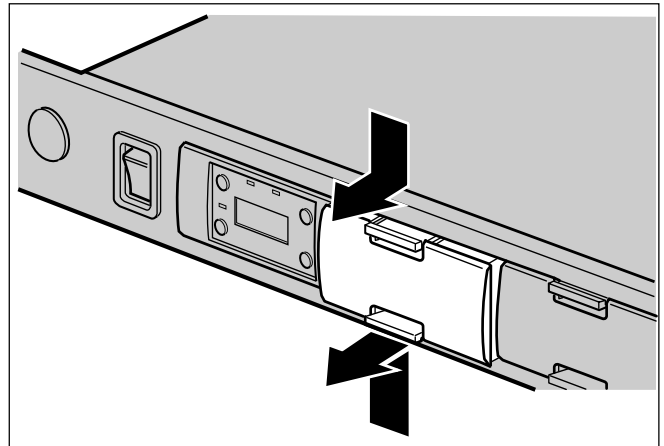
- Schalten Sie den Tuner aus, bevor Sie die WRU-806A/WRU-806B einbauen.
- Achten Sie beim Einbau darauf, die Tasten und das Display an der Vorderseite der WRU-806A/WRU-806B nicht zu beschädigen. Fassen Sie die WRU-806A/WRU-806B stets nur an der Seite an.
- Berühren Sie die Anschlüsse an der Rückseite der WRU-806A/WRU-806B nicht.
- Treffen Sie Vorkehrungen gegen statische Aufladung.

Einbau einer WRU-806A/WRU-806B

- 1 Fassen Sie die WRU-806A/WRU-806B an der Seite an, setzen Sie sie in den Schacht ein, und drücken Sie sie hinein, bis sie mit einem Klicken einrastet.

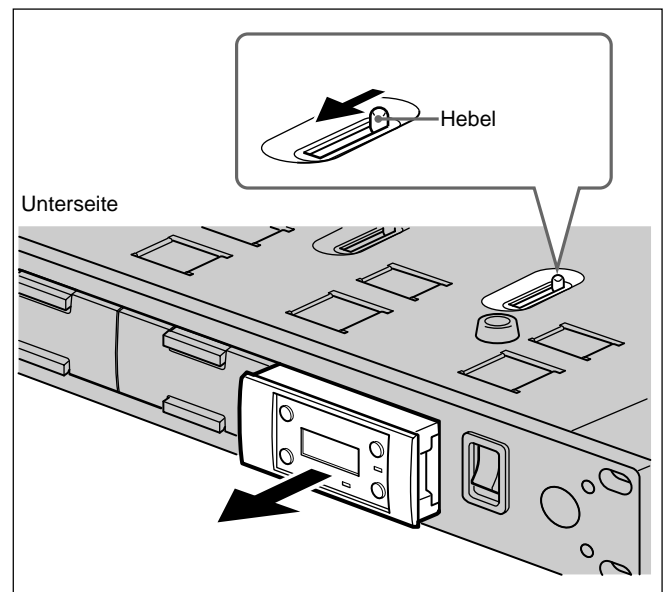


- 2 Zum Einbau von zwei oder mehr Einheiten entfernen Sie die entsprechende Anzahl von Abdeckplatten, indem Sie die oberen und unteren Zungen jeder Platte drücken und dann die Platten nach vorn herausziehen. Wiederholen Sie dann Schritt 1 für jede Einheit.



Herausnehmen einer WRU-806A/WRU-806B

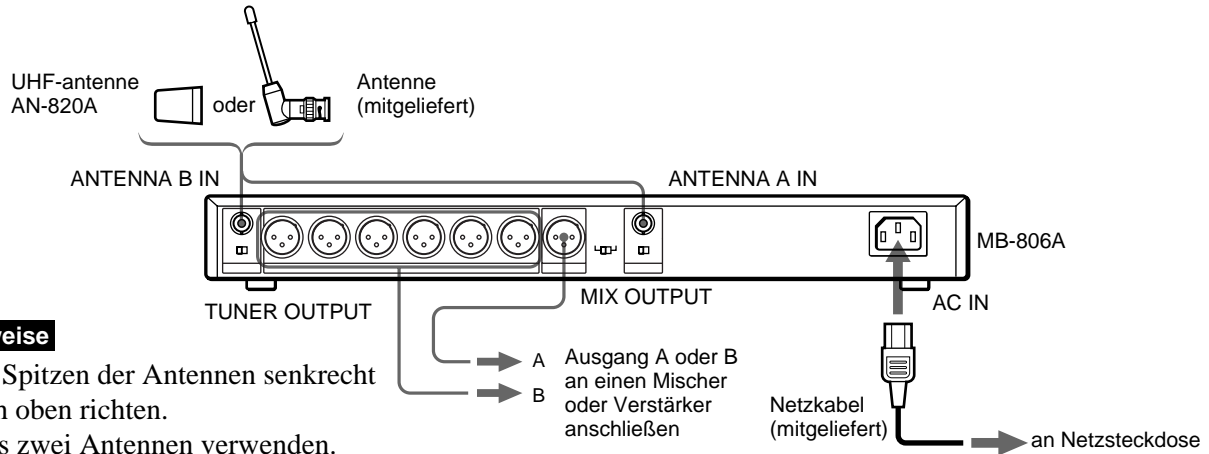
An der Unterseite des Tuners ist für jeden Schacht ein Auswurfhebel vorhanden. Drücken Sie den Auswurfhebel der betreffenden WRU-806A/WRU-806B nach vorne. Die WRU-806A/WRU-806B wird dann aus dem Schacht herausgedrückt.



Anschluß

Grundlegender Anschluß

Für 1- bis 6-Kanal-Betrieb

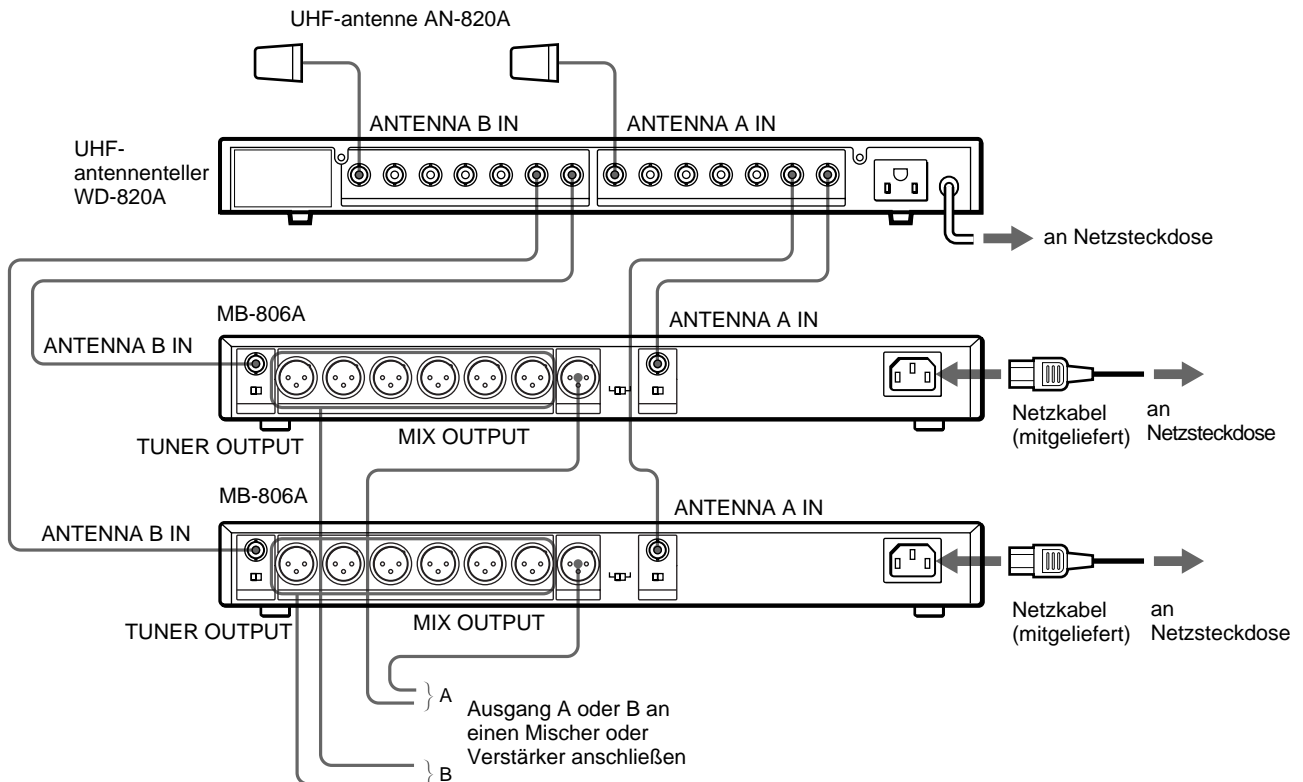


Hinweise

- Die Spitzen der Antennen senkrecht nach oben richten.
- Stets zwei Antennen verwenden.

Anschluß für Mehrkanalbetrieb

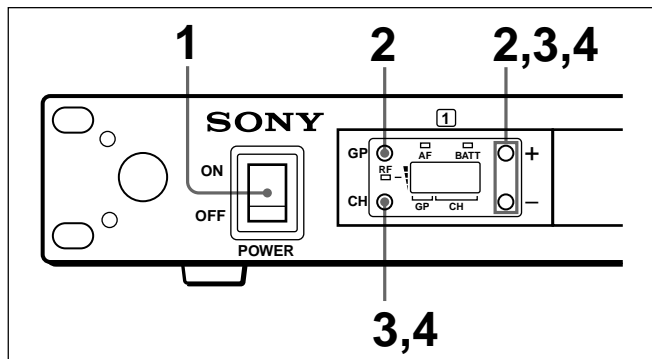
Für Betrieb mit 7 oder mehr Kanälen



Kanalwahl

Beachten Sie die folgenden Punkte, um Interferenzen und Störgeräusche zu vermeiden:

- Meiden Sie Kanäle, auf denen starke TV-Sender arbeiten.
- Beim gleichzeitigen Betrieb von zwei oder mehr Tunern stellen Sie an den Tunern unterschiedliche Kanäle aus derselben Gruppe ein. (Wählen Sie jedoch keine Kanäle aus der Gruppe 00.)



1 Schalten Sie den POWER-Schalter ein.

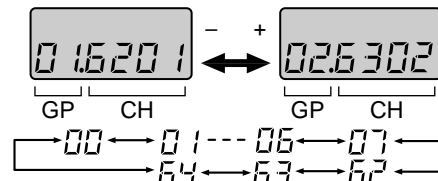
Im Display erscheint zunächst die Modellversionsnr. wie „CE62“ oder „CE67“ und anschließend der momentane Betriebsstatus.

Hinweis

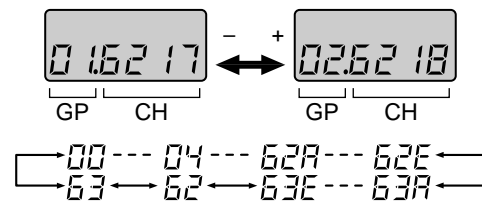
Reduzieren Sie die Lautstärke an dem an der TUNER OUTPUT-Buchse angeschlossenen Gerät, bevor Sie den POWER-Schalter einschalten, damit beim Einschalten keine Störgeräusche zu hören sind.

2 Drücken Sie bei gedrückt gehaltener GP-Taste die Taste + oder –, um die Gruppe zu wählen.

Bei jedem Drücken der Taste + oder – ändert sich die GP-Anzeige wie im folgenden dargestellt. Zum kontinuierlichen Umschalten der Gruppe halten Sie die Taste + oder – gedrückt.



Anzeigebeispiel für WRU-806B (Modell CE62)



Anzeigebeispiel für WRU-806A (Modell CE62)

Im CH-Anzeigefeld erscheint die niedrigste Kanalnummer der gewählten Gruppe. Bei Gruppe 00 erscheint jedoch der zuletzt gewählte Kanal. Beim Loslassen der Tasten wird der Gruppenwahl-Modus automatisch verlassen; die Gruppe ist damit eingestellt.

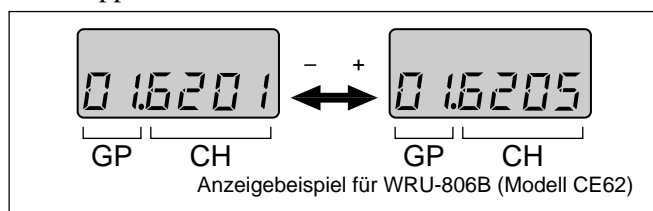
Siehe „UHF-Kanalliste“ auf Seite L-1 (für Benutzer des WRU-806A) oder „Frequenzliste für das UHF-Mikrofonsystem“ (für Benutzer des WRU-806B), die zum Lieferumfang des WRU-806B gehört.

- 3** Drücken Sie bei gedrückt gehaltener CH-Taste innerhalb von 3 Sekunden die Taste + oder –, um den Kanal zu wählen.

Analog zu Schritt 2 ändert sich bei jedem Drücken der Taste + oder – der im CH-Anzeigefeld angezeigte Kanal in der Reihenfolge der Kanalliste.

Siehe „UHF-Kanalliste“ auf Seite L-1 (für Benutzer des WRU-806A) oder „Frequenzliste für das UHF-Mikrofonsystem“ (für Benutzer des WRU-806B), die zum Lieferumfang des WRU-806B gehört.

Wird die Taste + am letzten Kanal der Gruppe gedrückt, erscheint wieder der erste Kanal der Gruppe.



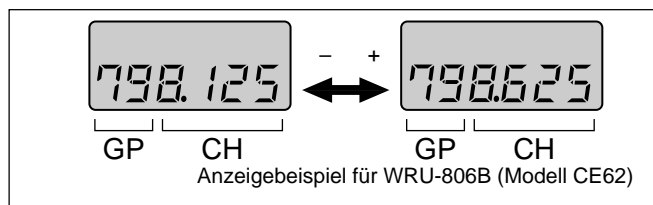
Kanalwahl durch Eingabe der Frequenz

Drücken Sie die Taste +.

Im GP/CH-Anzeigefeld erscheint dann die Frequenz.

Zum Ändern der Frequenz halten Sie die CH-Taste gedrückt und drücken Sie gleichzeitig die Taste + oder –. (Es wird eine höhere oder niedrigere Frequenz angezeigt.)

Drücken Sie die Taste + dann erneut, um von Anzeige der Frequenz auf Anzeige der Gruppen-/Kanalnummer (GP/CH) zurückzuschalten.



- 4** Wenn der gewünschte Kanal bzw. die gewünschte Frequenz angezeigt wird, lassen Sie die CH-Taste und die Taste + oder – los.

Der Kanal ist damit eingestellt.

So speichern Sie die eingestellte Gruppen- und Kanalnummer:

Nachdem Sie mit dem obigen Verfahren die Gruppen- und Kanalnummer eingestellt haben, warten Sie eine Sekunden lang ab. Die Nummer wird dann automatisch gespeichert.

Automatische Suche und Einstellung der verfügbaren Kanäle

Bei einem Mehrkanalbetrieb können an der ersten Empfangseinheit die Kanäle für alle Empfangseinheiten festgelegt werden.

Hinweis

Eine automatische Zuweisung der Kanäle ist nur möglich, wenn die Tuner Base Unit Empfangseinheiten mit den gleichen TV-Kanälen enthält.

- 1** Schalten Sie alle UHF-Mikrofone und -Sender aus.
- 2** Wählen Sie an der ersten Empfangseinheit die Gruppe, die Sie verwenden wollen.
- 3** Halten Sie an der ersten Empfangseinheit die CH-Taste 3 Sekunden lang gedrückt.

Die erste Empfangseinheit sucht die verfügbaren Kanäle der gewählten Gruppe aus und weist diese Kanäle den einzelnen Empfangseinheiten so zu, daß nicht mehrere Empfangseinheiten dieselben Kanäle verwenden.

Falls erwünscht, können Sie danach die Gruppen- und Kanaleinstellung der Empfangseinheiten ändern.

Hinweise

- Verwenden Sie nicht die Gruppe 00.
- Wenn keine Kanäle verfügbar sind, erscheint die Anzeige „NO CH“ und der Kanaleinstellbetrieb wird verlassen.

Bei Verwendung von zwei Base Units MB-806A

Führen Sie bei Verwendung von zwei Base Units die folgenden Schritte aus, um sicherzustellen, daß die keine der bis zu zwölf Empfangseinheiten dieselben Kanaleinstellungen verwenden.

- 1** Stellen Sie die Gruppe und die Kanäle am ersten Base Unit ein, wie im vorausgegangenen Abschnitt behandelt.
- 2** Schalten Sie die UHF-Mikrofone bzw. -Sender ein, nachdem Sie sie auf die Kanäle der einzelnen Empfangseinheiten eingestellt haben.

Hinweis

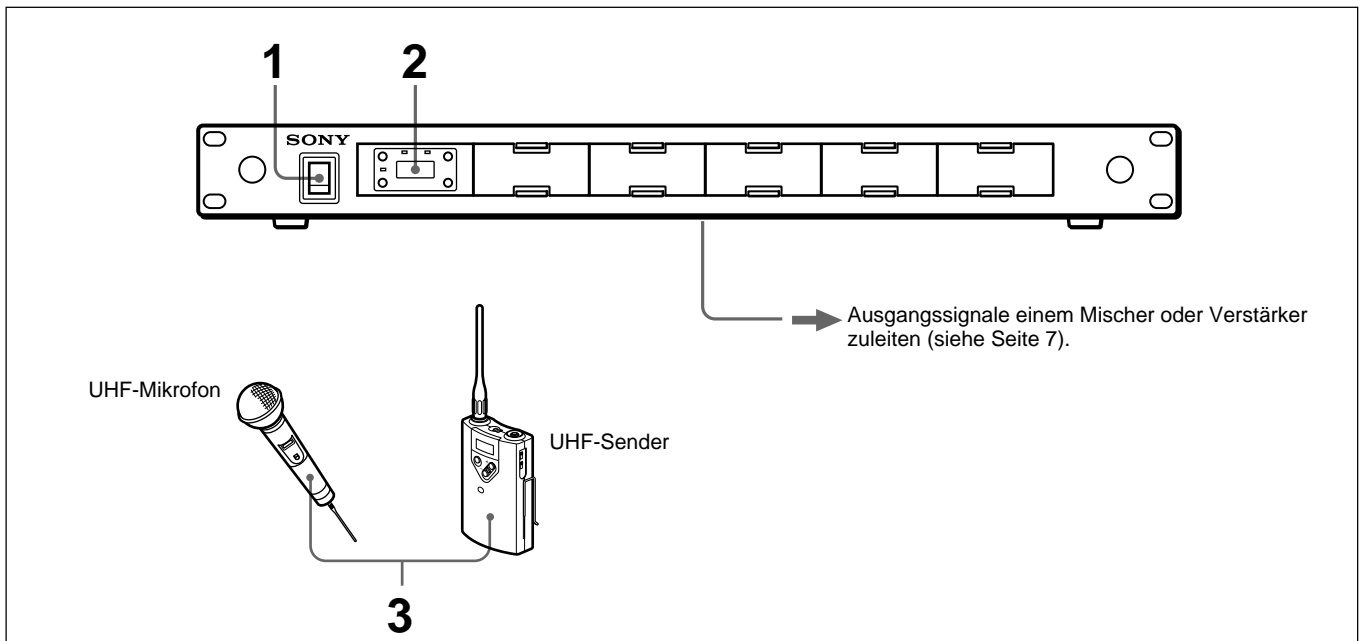
Wenn die Mikrofone bzw. Sender nicht arbeiten, kann es vorkommen, daß zwei Empfangseinheiten denselben Kanal verwenden.

- 3** Stellen Sie an der Empfangseinheit des zweiten Base Units die Gruppe ein, die am ersten Base Unit gewählt ist.
- 4** Halten Sie die CH-Taste der ersten Empfangseinheit des zweiten Base Units drei Sekunden lang gedrückt.

Alle Empfangseinheiten im zweiten Base Unit werden nun automatisch auf die freien Kanäle derselben Gruppe (d.h. auf die Kanäle, die vom ersten Base Unit nicht verwendet werden) eingestellt.

Hinweis

Wenn die automatische Kanaleinstellung am zweiten Base Unit nicht einwandfrei funktioniert (aufgrund eines schwachen Empfangssignals), stellen Sie die Kanäle am zweiten Base Unit manuell ein.



- 1 Schalten Sie den POWER-Schalter ein.

Hinweis

Reduzieren Sie die Lautstärke an dem an der TUNER OUTPUT-Buchse angeschlossenen Gerät, bevor Sie den POWER-Schalter einschalten, damit beim Einschalten keine Störgeräusche zu hören sind.

- 2 Stellen Sie den Empfangskanal ein.

Einzelheiten siehe „Kanalwahl“ auf Seite 8.

- 3 Schalten Sie das UHF-Mikrofon bzw. den UHF-Sender ein.

Stellen Sie am Mikrofon bzw. Sender den Kanal des Tuners ein.

Hinweis

Zur Vermeidung von Interferenzstörungen beachten Sie bitte die folgenden Punkte:

- Betreiben Sie nicht gleichzeitig zwei oder mehr Mikrofone bzw. Sender auf demselben Kanal.
- Achten Sie darauf, daß die Sende- und Empfangsantennen mindestens 3 m voneinander entfernt sind.
- Bei einem simultanen Mehrkanalbetrieb können eventuell nicht alle Kanäle verwendet werden, da auf einigen Kanälen Interferenzstörungen von starken TV-Sendern oder anderen starken HF-Signalen auftreten.
- Wenn zwei oder mehr UHF-Mikrofonsysteme auf demselben Kanal derselben Gruppe senden, sollten sie mindestens 100 m¹⁾ entfernt voneinander sein.

Bei Störgeräuschen

Auf einigen Kanälen können manchmal Störgeräusche oder Interferenzen von anderen Sendern zu hören sein. Ändern Sie dann wie folgt den Kanal: Schalten Sie das UHF-Mikrofon bzw. den UHF-Sender aus, und wählen Sie einen Kanal, auf dem keine Störgeräusche oder Interferenzen zu hören sind. (Bei einem solchen Kanal ist die RF-LED erloschen.) Stellen Sie dann am Mikrofon bzw. Sender denselben Kanal ein.

1) Die erforderliche Entfernung hängt von den Umgebungsbedingungen ab.

Rauschsperr

Zum Vermeidung von Störgeräuschen ist der Tuner mit drei verschiedenen, gleichzeitig arbeitenden Stummschaltfunktionen ausgestattet.

(1) Stummschaltung auf der Basis des HF-Pegels

Wenn der Pegel des HF-Signals unter die Mutingschwelle abfällt, wird das Tonsignal stummgeschaltet. Dadurch wird verhindert, daß Störgeräusche auftreten, wenn ein schwaches oder überhaupt kein HF-Signal empfangen wird.

(2) Tone-Squelch

Der Tone-Squelch arbeitet mit einem unhörbaren Tonsignal, das dem HF-Signal aufmoduliert ist. Nur wenn dieses Tonsignal empfangen wird, wird die Stummschaltung abgeschaltet. Störgeräusche beim Ein- und Ausschalten des Senders und Interferenzstörungen durch andere HF-Signale werden unterdrückt.

(3) Noise-Squelch

Der Noise-Squelch unterdrückt das Ton-Ausgangssignal, wenn die Interferenzen von anderen HF-Signalen so stark sind, daß der Tone-Squelch nicht arbeitet.

Zum Ausschalten der Rauschsperr

Halten Sie die GP- und CH-Tasten gedrückt und stellen Sie den POWER-Schalter auf ON. Es erscheinen daraufhin kurz alle Anzeigen und erlöschen dann. Anschließend wird „OFF“ angezeigt. Mit diesem Verfahren werden alle drei Rauschsperr gleichzeitig deaktiviert.

Zum Einschalten der Rauschsperr

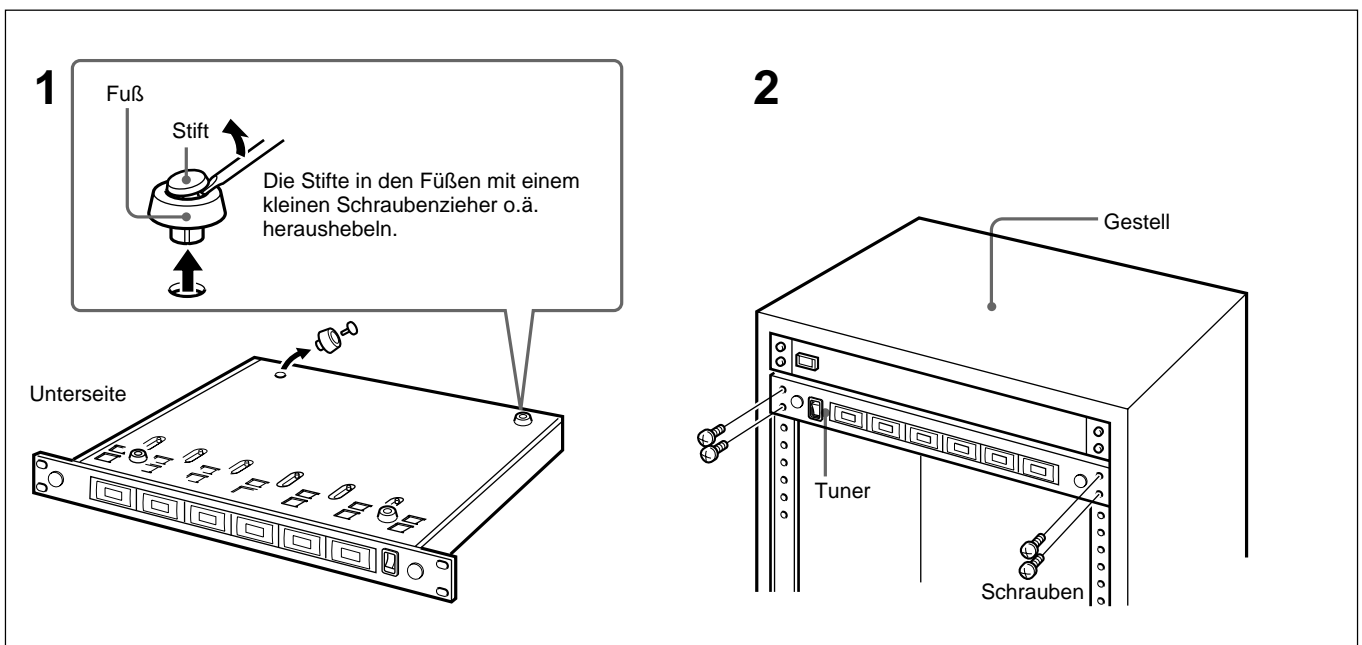
Stellen Sie den POWER-Schalter auf OFF und dann wieder auf ON. Daraufhin werden alle drei Rauschsperr gleichzeitig aktiviert.

Fehlermeldungen

Folgende Fehlermeldungen können im Display erscheinen.

Meldung	Bedeutung	Ursache und/oder Abhilfe
Err 01	Fehler in den Speicherdaten.	Einen Sony Händler kontaktieren.
Err 02	Störung des PLL-Schaltkreises.	Einen Sony Händler kontaktieren.
NO TONE	Das Ausgangssignal wurde stummgeschaltet, da kein 32,768-kHz-Tonsignal bzw. ein Tonsignal einer anderen Frequenz empfangen wurde.	Sicherstellen, daß der Transmitter eingeschaltet ist. Ist er dies, liegt das Problem beim Tonsignalgenerator des Transmitters oder der Squelch-Schaltung des Tuners. Einen Sony Händler kontaktieren.

Einbau in ein Gestell



- 1** Entfernen Sie die Füße vom Tuner, bevor Sie ihn in das Gestell einbauen.
- 2** Schrauben Sie den Tuner im Gestell fest. Verwenden Sie Schrauben mit einer Länge von mindesten 12 mm und passendem Durchmesser.

Tuner (WRU-806A oder WRU-806B)

Empfangsart	Raumdiversität
Schaltungsauslegung	Doppelsuperhet
Betriebsfrequenzbereich (MB-806A allein)	758 bis 862 MHz
Empfangsfrequenzbereich	Siehe Bedienungsanleitung zum WRU-806A oder WRU-806B.
Frequenzerzeugung	quartzgesteuerter PLL-Synthesizer
Trennschärfe	Min. 60 dB (± 250 kHz neben der Empfangsfrequenz)
Nebenwellenunterdrückung	Min. 70 dB
Spiegelfrequenzunterdrückung	Min. 60 dB
Stummschaltswelle	30 dB μ^1
Antennenbuchsen	BNC-R-Typ (2), 50 Ohm
Übertragungsbereich	100 bis 15.000 Hz ± 3 dB
De-Emphasis	50 μ s
Signal-Rauschabstand	Min. 40 dB, bei einem A-bewerteten HF-Eingangssignalpegel von 20 dB μ Min. 60 dB, bei einem A-bewerteten HF-Eingangssignalpegel von 60 dB μ (± 5 kHz Abweichung, 1 kHz Modulation)
Verzerrungen	Max. 1% (± 40 kHz Abweichung, 1 kHz Modulation)
Tonträgerfrequenz	32,768 kHz
Ausgangspegel	LINE -20 dBm ²⁾ (± 5 kHz Abweichung, 1 kHz Modulation) MIC -58 dBm (± 5 kHz Abweichung, 1 kHz Modulation)

Mischausgangspegel	LINE -20 dBm (± 5 kHz Abweichung, 1 kHz Modulation) MIC -58 dBm (± 5 kHz Abweichung, 1 kHz Modulation)
Ausgangsimpedanz	150 Ohm
Ausgangsbuchse	Typ XLR-3-32

Allgemeines

Stromversorgung	100 bis 240 V Wechselspannung, 50/60 Hz
Stromaufnahme	30 W
Versorgungsspannung für den in der Antenne integrierten Verstärker	9 V Gleichspannung (max. 100 mA)
Betriebstemperaturbereich	0 °C bis 40 °C
Lagertemperaturbereich	-20 °C bis +55 °C
Abmessungen	482 × 44 × 300 mm (B/H/T)
Gewicht	ca. 3,6 kg (ohne Empfangseinheiten)

Mitgeliefertes Zubehör

Netzkabel (1)
Antennen (2)
Bedienungsanleitung (1)

Änderungen, die dem technischen Fortschritt dienen, bleiben vorbehalten.

1) 0 dB μ = 1 μ V_{EMF}

2) 0 dBm = 0,775 V_{eff} (bei 600 Ohm)

Wireless Channel Lists/Übertragungskanallisten

Note

The wireless channel lists included in this section are for the WRU-806A. For the wireless channel lists for the WRU-806B, refer to “Wireless Microphone System Frequency List” supplied with the WRU-806B.

Hinweis

Die UHF-Kanallisten in diesem Abschnitt gelten für WRU-806A. Für WRU-806B siehe “Frequenzliste für das UHF-Mikrofonsystem”, die zum Lieferumfang des WRU-806B gehört.

Overview of Channel Plan/Überblick über die Kanäle

Guidance on use of multi-channel system

This product is designed to give excellent interference free operation in multi-channel systems. To maintain this, Sony recommends that one of the original Sony groups other than number 00 is selected.

These groups will offer excellent performance free from mutual interference from other Sony wireless microphone transmitters in the selected group when used under the recommended operating conditions. The remaining groups are included for compliance with frequency regulations in various countries, and will not always guarantee interference free operation. Group 00 is used to scan for open channels, or to use only for a one channel system.

Richtlinien für ein Mehrkanalsystem

Dieses Produkt wurde im Hinblick auf hervorragenden interferenzfreien Betrieb in Mehrkanalsystemen entwickelt. Deshalb empfehlen wir, eine der Sony-Kanalgruppen außer 00 auszuwählen.

Bei diesen Gruppen erzielen Sie eine außerordentliche Leistung ohne gegenseitige Interferenzen durch andere schnurlose Mikrofonsender von Sony in der ausgewählten Gruppe, vorausgesetzt, die empfohlenen Betriebsbedingungen werden eingehalten. Bei den übrigen Gruppen gelten die Frequenzbestimmungen in verschiedenen Ländern, und ein interferenzfreier Betrieb kann nicht immer gewährleistet werden. Gruppe 00 dient zum Durchsuchen offener Kanäle bzw. eignet sich für ein Einkanalsystem.

Wireless Channel Lists/Übertragungskanalisten

Model Modell	Group indication Gruppe-Anzeige	Frequency grid Frequenz-raster	User group Benutzergruppe	No. of simultaneously selectable channels Anzahl der Simultankanäle	
CE62	00	125 kHz	Sony original channel groups Sony Kanalgruppen	*(111)	
	01			8	
	02			9	
	03			8	
	04			10	
	13			12	
	L1			8	
	L2				
	M1				
	M2				
	62A	25 kHz	German-3 Deutsch-3		*(7)
	62B				*(8)
	62C				*(7)
	62D				*(7)
	62E		German-4 Deutsch-4		*(10)
	63A		German-3 Deutsch-3		*(10)
	63B			*(12)	
	63C			*(10)	
	63D			*(10)	
	63E		German-4 Deutsch-4	*(11)	
62	German Deutsch	*(241)			
63		*(320)			
CE69	00	125 kHz	Sony original channel groups/Sony Kanalgruppen	*(64)	
	01			10	
	L	25 kHz	UK General Use Allgemeine Verbendung in Großbritannien	*(7)	
	H			*(7)	
AU66	00	125 kHz	Sony original channel groups	*(102)	
	11			12	
	12			9	
	13			9	
	A1			8	
	A2			6	
	A3			6	
	L1			6	
	L2			6	
	M1			6	
	M2			5	
	H1			8	
	H2			8	

German = German User Groups
Deutsch = Deutsche Benutzergruppen

a) *-marked number means a total number of selectable channels (not simultaneously).
Die Anzahl der insgesamt wählbaren Kanäle sind mit einem Stern (*) gekennzeichnet.

WRU-806A/CE62 model / Modell WRU-806A/CE62

Sony Original Channel Groups/Sony Kanalgruppen

GP/CH indication (example)/GP/CH-Anzeige

(Beispiel): 0062 17

Group 00: 111-channel group (single-channel operation)

Gruppe 00: 111-Kanal-Gruppe (Einkanalbetrieb)

TV-62 Band/ TV-62-Frequenzbereich		TV-63 Band/ TV-63-Frequenzbereich	
WL Channel WL-Kanal	Frequency Frequenz (MHz)	WL Channel WL-Kanal	Frequency Frequenz (MHz)
62-17	800.125	63-00	806.000
62-18	800.250	63-01	806.125
62-19	800.375	63-02	806.250
62-20	800.500	63-03	806.375
62-21	800.625	63-04	806.500
62-22	800.750	63-05	806.625
62-23	800.875	63-06	806.750
62-24	801.000	63-07	806.875
62-25	801.125	63-08	807.000
62-26	801.250	63-09	807.125
62-27	801.375	63-10	807.250
62-28	801.500	63-11	807.375
62-29	801.625	63-12	807.500
62-30	801.750	63-13	807.625
62-31	801.875	63-14	807.750
62-32	802.000	63-15	807.875
62-33	802.125	63-16	808.000
62-34	802.250	63-17	808.125
62-35	802.375	63-18	808.250
62-36	802.500	63-19	808.375
62-37	802.625	63-20	808.500
62-38	802.750	63-21	808.625
62-39	802.875	63-22	808.750
62-40	803.000	63-23	808.875
62-41	803.125	63-24	809.000
62-42	803.250	63-25	809.125
62-43	803.375	63-26	809.250
62-44	803.500	63-27	809.375
62-45	803.625	63-28	809.500
62-46	803.750	63-29	809.625
62-47	803.875	63-30	809.750
62-48	804.000	63-31	809.875
62-49	804.125	63-32	810.000
62-50	804.250	63-33	810.125
62-51	804.375	63-34	810.250
62-52	804.500	63-35	810.375
62-53	804.625	63-36	810.500
62-54	804.750	63-37	810.625
62-55	804.875	63-38	810.750
62-56	805.000	63-39	810.875
62-57	805.125	63-40	811.000
62-58	805.250	63-41	811.125
62-59	805.375	63-42	811.250
62-60	805.500	63-43	811.375
62-61	805.625	63-44	811.500
62-62	805.750	63-45	811.625
62-63	805.875	63-46	811.750
		63-47	811.875
		63-48	812.000
		63-49	812.125
		63-50	812.250
		63-51	812.375
		63-52	812.500
		63-53	812.625
		63-54	812.750
		63-55	812.875
		63-56	813.000
		63-57	813.125
		63-58	813.250
		63-59	813.375
		63-60	813.500
		63-61	813.625
		63-62	813.750
		63-63	813.875

Group 01/Gruppe 01

8-channel group

8-Kanal-Gruppe

WL Channel WL-Kanal	Frequency Frequenz (MHz)
62-17	800.125
62-21	800.625
62-32	802.000
62-50	804.250
63-10	807.250
63-12	807.500
63-31	809.875
63-58	813.250

Group 02/Gruppe 02

9-channel group

9-Kanal-Gruppe

WL Channel WL-Kanal	Frequency Frequenz (MHz)
62-18	800.250
62-23	800.875
62-46	803.750
62-56	805.000
62-59	805.375
63-14	807.750
63-22	808.750
63-29	809.625
63-38	810.750

Group 03/Gruppe 03

8-channel group

8-Kanal-Gruppe

WL Channel WL-Kanal	Frequency Frequenz (MHz)
62-19	800.375
62-30	801.750
62-38	802.750
62-58	805.250
63-08	807.000
63-25	809.125
63-41	811.125
63-62	813.750

Group 04/Gruppe 04

10-channel group

10-Kanal-Gruppe

WL Channel WL-Kanal	Frequency Frequenz (MHz)
62-20	800.500
62-22	800.750
62-25	801.125
62-29	801.625
62-35	802.375
62-47	803.875
63-06	806.750
63-27	809.375
63-43	811.375
63-60	813.500

Group 13/Gruppe 13

12-channel group/12-Kanal-Gruppe

WL Channel WL-Kanal	Frequency Frequenz (MHz)
62-17	800.125
62-22	800.750
62-32	802.000
62-34	802.250
62-50	804.250
62-58	805.250
63-15	807.875
63-26	809.250
63-40	811.000
63-46	811.750
63-49	812.125
63-53	812.625

Group L1/Gruppe L1

8-channel group/8-Kanal-Gruppe

WL Channel WL-Kanal	Frequency Frequenz (MHz)
62-19	800.375
62-21	800.625
62-27	801.375
62-32	802.000
62-42	803.250
62-51	804.375
62-54	804.750
62-58	805.250

Group L2/Gruppe L2

8-channel group/8-Kanal-Gruppe

WL Channel WL-Kanal	Frequency Frequenz (MHz)
62-22	800.750
62-24	801.000
62-28	801.500
62-38	802.750
62-41	803.125
62-49	804.125
62-56	805.000
62-61	805.625

Group M1/Gruppe M1

8-channel group/8-Kanal-Gruppe

WL Channel WL-Kanal	Frequency Frequenz (MHz)
63-11	807.375
63-13	807.625
63-19	808.375
63-24	809.000
63-34	810.250
63-43	811.375
63-46	811.750
63-50	812.250

Group M2/Gruppe M2

8-channel group/8-Kanal-Gruppe

WL Channel WL-Kanal	Frequency Frequenz (MHz)
63-14	807.750
63-16	808.000
63-20	808.500
63-30	809.750
63-33	810.125
63-41	811.125
63-48	812.000
63-53	812.625

Wireless Channel Lists/Übertragungskanalisten

German User Group-3/Deutschen Benutzergruppe-3

GP/CH indication (example)/GP/CH-Anzeige (Beispiel): *62A 04*

Group 62A/Gruppe 62A

7-channel group
7-Kanal-Gruppe

WL Channel WL-Kanal	Frequency Frequenz (MHz)
62-A04	800.325
62-A05	800.900
62-A06	801.725
62-A07	802.825
62-A08	803.350
62-A09	804.100
62-A10	804.575

Group 62B/Gruppe 62B

8-channel group
8-Kanal-Gruppe

WL Channel WL-Kanal	Frequency Frequenz (MHz)
62-B05	800.375
62-B06	800.950
62-B07	801.775
62-B08	802.875
62-B09	803.400
62-B10	804.150
62-B11	804.625
62-B12	805.600

Group 62C/Gruppe 62C

7-channel group
7-Kanal-Gruppe

WL Channel WL-Kanal	Frequency Frequenz (MHz)
62-C04	800.425
62-C05	801.000
62-C06	801.825
62-C07	802.925
62-C08	803.450
62-C09	804.675
62-C10	805.650

Group 62D/Gruppe 62D

7-channel group
7-Kanal-Gruppe

WL Channel WL-Kanal	Frequency Frequenz (MHz)
62-D04	800.475
62-D05	801.050
62-D06	801.875
62-D07	802.975
62-D08	803.500
62-D09	804.725
62-D10	805.700

Group 63A/Gruppe 63A

10-channel group/10-Kanal-Gruppe

WL Channel WL-Kanal	Frequency Frequenz (MHz)
63-A01	806.250
63-A02	807.200
63-A03	807.900
63-A04	808.325
63-A05	808.900
63-A06	809.725
63-A07	810.825
63-A08	811.350
63-A09	812.100
63-A10	812.575

Group 63B/Gruppe 63B

12-channel group/12-Kanal-Gruppe

WL Channel WL-Kanal	Frequency Frequenz (MHz)
63-B01	806.300
63-B02	806.700
63-B03	807.250
63-B04	807.950
63-B05	808.375
63-B06	808.950
63-B07	809.775
63-B08	810.875
63-B09	811.400
63-B10	812.150
63-B11	812.625
63-B12	813.600

Group 63C/Gruppe 63C

10-channel group/10-Kanal-Gruppe

WL Channel WL-Kanal	Frequency Frequenz (MHz)
63-C01	806.350
63-C02	806.750
63-C03	807.300
63-C04	808.425
63-C05	809.000
63-C06	809.825
63-C07	810.925
63-C08	811.450
63-C09	812.675
63-C10	813.650

Group 63D/Gruppe 63D

10-channel group/10-Kanal-Gruppe

WL Channel WL-Kanal	Frequency Frequenz (MHz)
63-D01	806.400
63-D02	806.800
63-D03	807.350
63-D04	808.475
63-D05	809.050
63-D06	809.875
63-D07	810.975
63-D08	811.500
63-D09	812.725
63-D10	813.700

German User Group-4/ Deutschen Benutzergruppe-4

GP/CH indication (example)/GP/
CH-Anzeige (Beispiel): *62E 02*

Group 62E/Gruppe 62E

10-channel group
10-Kanal-Gruppe

WL Channel WL-Kanal	Frequency Frequenz (MHz)
62-E02	800.525
62-E03	801.100
62-E04	801.425
62-E05	801.975
62-E06	802.575
62-E07	803.050
62-E08	803.700
62-E09	804.800
62-E10	805.050
62-E11	805.775

Group 63E/Gruppe 63E

11-channel group
11-Kanal-Gruppe

WL Channel WL-Kanal	Frequency Frequenz (MHz)
63-E01	806.850
63-E02	808.525
63-E03	809.100
63-E04	809.425
63-E05	809.975
63-E06	810.575
63-E07	811.050
63-E08	811.700
63-E09	812.800
63-E10	813.050
63-E11	813.775

German User Groups/Deutschen Benutzergruppen

GP/CH indication (example)/GP/CH-Anzeige (Beispiel): 62 080

Group 62: 241-channel group (single-channel operation)/**Gruppe 62:** 241-Kanal-Gruppe (Einkanalbetrieb)

Frequency range: 800.000 to 806.000 MHz/Frequenzbereich: 800,000 bis 806,000 MHz

WL Channel WL-Kanal	Frequency Frequenz (MHz)	WL Channel WL-Kanal	Frequency Frequenz (MHz)	WL Channel WL-Kanal	Frequency Frequenz (MHz)	WL Channel WL-Kanal	Frequency Frequenz (MHz)
62-080	800.000	62-120	801.000	62-160	802.000	62-200	803.000
62-081	800.025	62-121	801.025	62-161	802.025	62-201	803.025
62-082	800.050	62-122	801.050	62-162	802.050	62-202	803.050
62-083	800.075	62-123	801.075	62-163	802.075	62-203	803.075
62-084	800.100	62-124	801.100	62-164	802.100	62-204	803.100
62-085	800.125	62-125	801.125	62-165	802.125	62-205	803.125
62-086	800.150	62-126	801.150	62-166	802.150	62-206	803.150
62-087	800.175	62-127	801.175	62-167	802.175	62-207	803.175
62-088	800.200	62-128	801.200	62-168	802.200	62-208	803.200
62-089	800.225	62-129	801.225	62-169	802.225	62-209	803.225
62-090	800.250	62-130	801.250	62-170	802.250	62-210	803.250
62-091	800.275	62-131	801.275	62-171	802.275	62-211	803.275
62-092	800.300	62-132	801.300	62-172	802.300	62-212	803.300
62-093	800.325	62-133	801.325	62-173	802.325	62-213	803.325
62-094	800.350	62-134	801.350	62-174	802.350	62-214	803.350
62-095	800.375	62-135	801.375	62-175	802.375	62-215	803.375
62-096	800.400	62-136	801.400	62-176	802.400	62-216	803.400
62-097	800.425	62-137	801.425	62-177	802.425	62-217	803.425
62-098	800.450	62-138	801.450	62-178	802.450	62-218	803.450
62-099	800.475	62-139	801.475	62-179	802.475	62-219	803.475
62-100	800.500	62-140	801.500	62-180	802.500	62-220	803.500
62-101	800.525	62-141	801.525	62-181	802.525	62-221	803.525
62-102	800.550	62-142	801.550	62-182	802.550	62-222	803.550
62-103	800.575	62-143	801.575	62-183	802.575	62-223	803.575
62-104	800.600	62-144	801.600	62-184	802.600	62-224	803.600
62-105	800.625	62-145	801.625	62-185	802.625	62-225	803.625
62-106	800.650	62-146	801.650	62-186	802.650	62-226	803.650
62-107	800.675	62-147	801.675	62-187	802.675	62-227	803.675
62-108	800.700	62-148	801.700	62-188	802.700	62-228	803.700
62-109	800.725	62-149	801.725	62-189	802.725	62-229	803.725
62-110	800.750	62-150	801.750	62-190	802.750	62-230	803.750
62-111	800.775	62-151	801.775	62-191	802.775	62-231	803.775
62-112	800.800	62-152	801.800	62-192	802.800	62-232	803.800
62-113	800.825	62-153	801.825	62-193	802.825	62-233	803.825
62-114	800.850	62-154	801.850	62-194	802.850	62-234	803.850
62-115	800.875	62-155	801.875	62-195	802.875	62-235	803.875
62-116	800.900	62-156	801.900	62-196	802.900	62-236	803.900
62-117	800.925	62-157	801.925	62-197	802.925	62-237	803.925
62-118	800.950	62-158	801.950	62-198	802.950	62-238	803.950
62-119	800.975	62-159	801.975	62-199	802.975	62-239	803.975

Wireless Channel Lists/Übertragungskannlisten

WL Channel WL-Kanal	Frequency Frequenz (MHz)	WL Channel WL-Kanal	Frequency Frequenz (MHz)
62-240	804.000	62-280	805.000
62-241	804.025	62-281	805.025
62-242	804.050	62-282	805.050
62-243	804.075	62-283	805.075
62-244	804.100	62-284	805.100
62-245	804.125	62-285	805.125
62-246	804.150	62-286	805.150
62-247	804.175	62-287	805.175
62-248	804.200	62-288	805.200
62-249	804.225	62-289	805.225
62-250	804.250	62-290	805.250
62-251	804.275	62-291	805.275
62-252	804.300	62-292	805.300
62-253	804.325	62-293	805.325
62-254	804.350	62-294	805.350
62-255	804.375	62-295	805.375
62-256	804.400	62-296	805.400
62-257	804.425	62-297	805.425
62-258	804.450	62-298	805.450
62-259	804.475	62-299	805.475
62-260	804.500	62-300	805.500
62-261	804.525	62-301	805.525
62-262	804.550	62-302	805.550
62-263	804.575	62-303	805.575
62-264	804.600	62-304	805.600
62-265	804.625	62-305	805.625
62-266	804.650	62-306	805.650
62-267	804.675	62-307	805.675
62-268	804.700	62-308	805.700
62-269	804.725	62-309	805.725
62-270	804.750	62-310	805.750
62-271	804.775	62-311	805.775
62-272	804.800	62-312	805.800
62-273	804.825	62-313	805.825
62-274	804.850	62-314	805.850
62-275	804.875	62-315	805.875
62-276	804.900	62-316	805.900
62-277	804.925	62-317	805.925
62-278	804.950	62-318	805.950
62-279	804.975	62-319	805.975
		62-320	806.000

GP/CH indication (example)/GP/CH-Anzeige (Beispiel): 63 00 1

Group 63: 320-channel group (single-channel operation)/**Gruppe 63:** 320-Kanal-Gruppe (Einkanalbetrieb)

Frequency range: 806.025 to 814.000 MHz/Frequenzbereich: 806,025 bis 814,000 MHz

WL Channel WL-Kanal	Frequency Frequenz (MHz)	WL Channel WL-Kanal	Frequency Frequenz (MHz)	WL Channel WL-Kanal	Frequency Frequenz (MHz)	WL Channel WL-Kanal	Frequency Frequenz (MHz)
63-001	806.025	63-041	807.025	63-081	808.025	63-121	809.025
63-002	806.050	63-042	807.050	63-082	808.050	63-122	809.050
63-003	806.075	63-043	807.075	63-083	808.075	63-123	809.075
63-004	806.100	63-044	807.100	63-084	808.100	63-124	809.100
63-005	806.125	63-045	807.125	63-085	808.125	63-125	809.125
63-006	806.150	63-046	807.150	63-086	808.150	63-126	809.150
63-007	806.175	63-047	807.175	63-087	808.175	63-127	809.175
63-008	806.200	63-048	807.200	63-088	808.200	63-128	809.200
63-009	806.225	63-049	807.225	63-089	808.225	63-129	809.225
63-010	806.250	63-050	807.250	63-090	808.250	63-130	809.250
63-011	806.275	63-051	807.275	63-091	808.275	63-131	809.275
63-012	806.300	63-052	807.300	63-092	808.300	63-132	809.300
63-013	806.325	63-053	807.325	63-093	808.325	63-133	809.325
63-014	806.350	63-054	807.350	63-094	808.350	63-134	809.350
63-015	806.375	63-055	807.375	63-095	808.375	63-135	809.375
63-016	806.400	63-056	807.400	63-096	808.400	63-136	809.400
63-017	806.425	63-057	807.425	63-097	808.425	63-137	809.425
63-018	806.450	63-058	807.450	63-098	808.450	63-138	809.450
63-019	806.475	63-059	807.475	63-099	808.475	63-139	809.475
63-020	806.500	63-060	807.500	63-100	808.500	63-140	809.500
63-021	806.525	63-061	807.525	63-101	808.525	63-141	809.525
63-022	806.550	63-062	807.550	63-102	808.550	63-142	809.550
63-023	806.575	63-063	807.575	63-103	808.575	63-143	809.575
63-024	806.600	63-064	807.600	63-104	808.600	63-144	809.600
63-025	806.625	63-065	807.625	63-105	808.625	63-145	809.625
63-026	806.650	63-066	807.650	63-106	808.650	63-146	809.650
63-027	806.675	63-067	807.675	63-107	808.675	63-147	809.675
63-028	806.700	63-068	807.700	63-108	808.700	63-148	809.700
63-029	806.725	63-069	807.725	63-109	808.725	63-149	809.725
63-030	806.750	63-070	807.750	63-110	808.750	63-150	809.750
63-031	806.775	63-071	807.775	63-111	808.775	63-151	809.775
63-032	806.800	63-072	807.800	63-112	808.800	63-152	809.800
63-033	806.825	63-073	807.825	63-113	808.825	63-153	809.825
63-034	806.850	63-074	807.850	63-114	808.850	63-154	809.850
63-035	806.875	63-075	807.875	63-115	808.875	63-155	809.875
63-036	806.900	63-076	807.900	63-116	808.900	63-156	809.900
63-037	806.925	63-077	807.925	63-117	808.925	63-157	809.925
63-038	806.950	63-078	807.950	63-118	808.950	63-158	809.950
63-039	806.975	63-079	807.975	63-119	808.975	63-159	809.975
63-040	807.000	63-080	808.000	63-120	809.000	63-160	810.000

Wireless Channel Lists/Übertragungskannlisten

WL Channel WL-Kanal	Frequency Frequenz (MHz)	WL Channel WL-Kanal	Frequency Frequenz (MHz)	WL Channel WL-Kanal	Frequency Frequenz (MHz)	WL Channel WL-Kanal	Frequency Frequenz (MHz)
63-161	810.025	63-201	811.025	63-241	812.025	63-281	813.025
63-162	810.050	63-202	811.050	63-242	812.050	63-282	813.050
63-163	810.075	63-203	811.075	63-243	812.075	63-283	813.075
63-164	810.100	63-204	811.100	63-244	812.100	63-284	813.100
63-165	810.125	63-205	811.125	63-245	812.125	63-285	813.125
63-166	810.150	63-206	811.150	63-246	812.150	63-286	813.150
63-167	810.175	63-207	811.175	63-247	812.175	63-287	813.175
63-168	810.200	63-208	811.200	63-248	812.200	63-288	813.200
63-169	810.225	63-209	811.225	63-249	812.225	63-289	813.225
63-170	810.250	63-210	811.250	63-250	812.250	63-290	813.250
63-171	810.275	63-211	811.275	63-251	812.275	63-291	813.275
63-172	810.300	63-212	811.300	63-252	812.300	63-292	813.300
63-173	810.325	63-213	811.325	63-253	812.325	63-293	813.325
63-174	810.350	63-214	811.350	63-254	812.350	63-294	813.350
63-175	810.375	63-215	811.375	63-255	812.375	63-295	813.375
63-176	810.400	63-216	811.400	63-256	812.400	63-296	813.400
63-177	810.425	63-217	811.425	63-257	812.425	63-297	813.425
63-178	810.450	63-218	811.450	63-258	812.450	63-298	813.450
63-179	810.475	63-219	811.475	63-259	812.475	63-299	813.475
63-180	810.500	63-220	811.500	63-260	812.500	63-300	813.500
63-181	810.525	63-221	811.525	63-261	812.525	63-301	813.525
63-182	810.550	63-222	811.550	63-262	812.550	63-302	813.550
63-183	810.575	63-223	811.575	63-263	812.575	63-303	813.575
63-184	810.600	63-224	811.600	63-264	812.600	63-304	813.600
63-185	810.625	63-225	811.625	63-265	812.625	63-305	813.625
63-186	810.650	63-226	811.650	63-266	812.650	63-306	813.650
63-187	810.675	63-227	811.675	63-267	812.675	63-307	813.675
63-188	810.700	63-228	811.700	63-268	812.700	63-308	813.700
63-189	810.725	63-229	811.725	63-269	812.725	63-309	813.725
63-190	810.750	63-230	811.750	63-270	812.750	63-310	813.750
63-191	810.775	63-231	811.775	63-271	812.775	63-311	813.775
63-192	810.800	63-232	811.800	63-272	812.800	63-312	813.800
63-193	810.825	63-233	811.825	63-273	812.825	63-313	813.825
63-194	810.850	63-234	811.850	63-274	812.850	63-314	813.850
63-195	810.875	63-235	811.875	63-275	812.875	63-315	813.875
63-196	810.900	63-236	811.900	63-276	812.900	63-316	813.900
63-197	810.925	63-237	811.925	63-277	812.925	63-317	813.925
63-198	810.950	63-238	811.950	63-278	812.950	63-318	813.950
63-199	810.975	63-239	811.975	63-279	812.975	63-319	813.975
63-200	811.000	63-240	812.000	63-280	813.000	63-320	814.000

WRU-806A/CE69 Model / Modell WRU-806A/CE69

Sony Original Channel Groups Sony Kanalgruppen

GP/CH indication (example)/GP/CH-Anzeige
(Beispiel): 00.690 1

Group 00: 64-channel group (single-channel operation)
Gruppe 00: 64-Kanal-Gruppe (Einkanalbetrieb)

TV-69 Band/TV-69-Frequenzbereich			
WL Channel WL-Kanal	Frequency Frequenz (MHz)	WL Channel WL-Kanal	Frequency Frequenz (MHz)
69-01	854.125	69-33	858.125
69-02	854.250	69-34	858.250
69-03	854.375	69-35	858.375
69-04	854.500	69-36	858.500
69-05	854.625	69-37	858.625
69-06	854.750	69-38	858.750
69-07	854.875	69-39	858.875
69-08	855.000	69-40	859.000
69-09	855.125	69-41	859.125
69-10	855.250	69-42	859.250
69-11	855.375	69-43	859.375
69-12	855.500	69-44	859.500
69-13	855.625	69-45	859.625
69-14	855.750	69-46	859.750
69-15	855.875	69-47	859.875
69-16	856.000	69-48	860.000
69-17	856.125	69-49	860.125
69-18	856.250	69-50	860.250
69-19	856.375	69-51	860.375
69-20	856.500	69-52	860.500
69-21	856.625	69-53	860.625
69-22	856.750	69-54	860.750
69-23	856.875	69-55	860.875
69-24	857.000	69-56	861.000
69-25	857.125	69-57	861.125
69-26	857.250	69-58	861.250
69-27	857.375	69-59	861.375
69-28	857.500	69-60	861.500
69-29	857.625	69-61	861.625
69-30	857.750	69-62	861.750
69-31	857.875	69-63	861.875
69-32	858.000	69-64	862.000

Group 01/Gruppe 01

10-channel group
10-Kanal-Gruppe

WL Channel WL-Kanal	Frequency Frequenz (MHz)
69-01	854.125
69-03	854.375
69-07	854.875
69-18	856.250
69-27	857.375
69-34	858.250
69-46	859.750
69-56	861.000
69-59	861.375
69-64	862.000

UK General Use

Allgemeine Verwendung in Großbritannien

GP/CH indication (example)/GP/CH-Anzeige
(Beispiel): L 100 1

Group L/Gruppe L

7-channel group
7-Kanal-Gruppe

WL Channel WL-Kanal	Frequency Frequenz (MHz)
UG-01	854.900
UG-02	855.275
UG-03	855.900
UG-04	856.175
UG-05	856.575
UG-06	857.625
UG-07	857.950

Group H/Gruppe H

7-channel group
7-Kanal-Gruppe

WL Channel WL-Kanal	Frequency Frequenz (MHz)
UG-08	858.200
UG-09	858.650
UG-10	860.400
UG-11	860.900
UG-12	861.200
UG-13	861.550
UG-14	861.750

Wireless Channel Lists/Übertragungskannlisten

WRU-806A/AU66 model

Sony Original Channel Groups

GP/CH indication (example): 00.660 1

Group 00: 102-channel group (All channel access)

WL Channel	Frequency (MHz)	WL Channel	Frequency (MHz)
66-01	792.250	67-01	799.250
66-02	792.375	67-02	799.375
66-03	792.500	67-03	799.500
66-04	792.625	67-04	799.625
66-05	792.750	67-05	799.750
66-06	792.875	67-06	799.875
66-07	793.000	67-07	800.000
66-08	793.125	67-08	800.125
66-09	793.250	67-09	800.250
66-10	793.375	67-10	800.375
66-11	793.500	67-11	800.500
66-12	793.625	67-12	800.625
66-13	793.750	67-13	800.750
66-14	793.875	67-14	800.875
66-15	794.000	67-15	801.000
66-16	794.125	67-16	801.125
66-17	794.250	67-17	801.250
66-18	794.375	67-18	801.375
66-19	794.500	67-19	801.500
66-20	794.625	67-20	801.625
66-21	794.750	67-21	801.750
66-22	794.875	67-22	801.875
66-23	795.000	67-23	802.000
66-24	795.125	67-24	802.125
66-25	795.250	67-25	802.250
66-26	795.375	67-26	802.375
66-27	795.500	67-27	802.500
66-28	795.625	67-28	802.625
66-29	795.750	67-29	802.750
66-30	795.875	67-30	802.875
66-31	796.000	67-31	803.000
66-32	796.125	67-32	803.125
66-33	796.250	67-33	803.250
66-34	796.375	67-34	803.375
66-35	796.500	67-35	803.500
66-36	796.625	67-36	803.625
66-37	796.750	67-37	803.750
66-38	796.875	67-38	803.875
66-39	797.000	67-39	804.000
66-40	797.125	67-40	804.125
66-41	797.250	67-41	804.250
66-42	797.375	67-42	804.375
66-43	797.500	67-43	804.500
66-44	797.625	67-44	804.625
66-45	797.750	67-45	804.750
66-46	797.875	67-46	804.875
66-47	798.000	67-47	805.000
66-48	798.125	67-48	805.125
66-49	798.250	67-49	805.250
66-50	798.375	67-50	805.375
66-51	798.500	67-51	805.500

Group 11: 12-channel group

Use when TV channels both 66 and 67 are available.

WL Channel	Frequency (MHz)
66-02	792.375
66-07	793.000
66-17	794.250
66-19	794.500
66-35	796.500
66-43	797.500
67-08	800.125
67-19	801.500
67-33	803.250
67-39	804.000
67-42	804.375
67-46	804.875

Group 12: 9-channel group

Use when TV channel 66 is on the air.

WL Channel	Frequency (MHz)
67-01	799.250
67-03	799.500
67-11	800.500
67-16	801.125
67-23	802.000
67-27	802.500
67-41	804.250
67-44	804.625
67-50	805.375

Group 13: 9-channel group

Use when TV channel 67 is on the air.

WL Channel	Frequency (MHz)
66-01	792.250
66-03	792.500
66-11	793.500
66-16	794.125
66-23	795.000
66-27	795.500
66-41	797.250
66-44	797.625
66-50	798.375

Group A1: 8-channel group

Use when both TV channels 66 and 67 are available.

WL Channel	Frequency (MHz)
66-02	792.375
66-04	792.625
66-12	793.625
66-24	795.125
67-02	799.375
67-29	802.750
67-35	803.500
67-44	804.625

Group A2: 6-channel group

Use when TV channel 66 is on the air.

WL Channel	Frequency (MHz)
67-06	799.875
67-15	801.000
67-21	801.750
67-32	803.125
67-46	804.875
67-50	805.375

Group A3: 6-channel group

Use when TV channel 67 is on the air.

WL Channel	Frequency (MHz)
66-06	792.875
66-15	794.000
66-21	794.750
66-32	796.125
66-46	797.875
66-50	798.375

Group L1: 6-channel group

Use when TV channel 67 is on the air.

WL Channel	Frequency (MHz)
66-01	792.250
66-03	792.500
66-09	793.250
66-14	793.875
66-18	794.375
66-21	794.750

Group L2: 6-channel group

Use when TV channel 67 is on the air.

WL Channel	Frequency (MHz)
66-02	792.375
66-04	792.625
66-10	793.375
66-15	794.000
66-19	794.500
66-22	794.875

Group M1: 6-channel group

Use when TV channel 67 is on the air.

WL Channel	Frequency (MHz)
66-31	796.000
66-33	796.250
66-39	797.000
66-44	797.625
66-48	798.125
66-51	798.500

Group M2: 5-channel group

Use when TV channel 67 is on the air.

WL Channel	Frequency (MHz)
66-32	796.125
66-34	796.375
66-40	797.125
66-45	797.750
66-49	798.250

Group H1: 8-channel group

Use when TV channel 66 is on the air.

WL Channel	Frequency (MHz)
67-03	799.500
67-05	799.750
67-11	800.500
67-16	801.125
67-26	802.375
67-35	803.500
67-38	803.875
67-42	804.375

Group H2: 8-channel group

Use when TV channel 66 is on the air.

WL Channel	Frequency (MHz)
67-06	799.875
67-08	800.125
67-12	800.625
67-22	801.875
67-25	802.250
67-33	803.250
67-40	804.125
67-45	804.750

