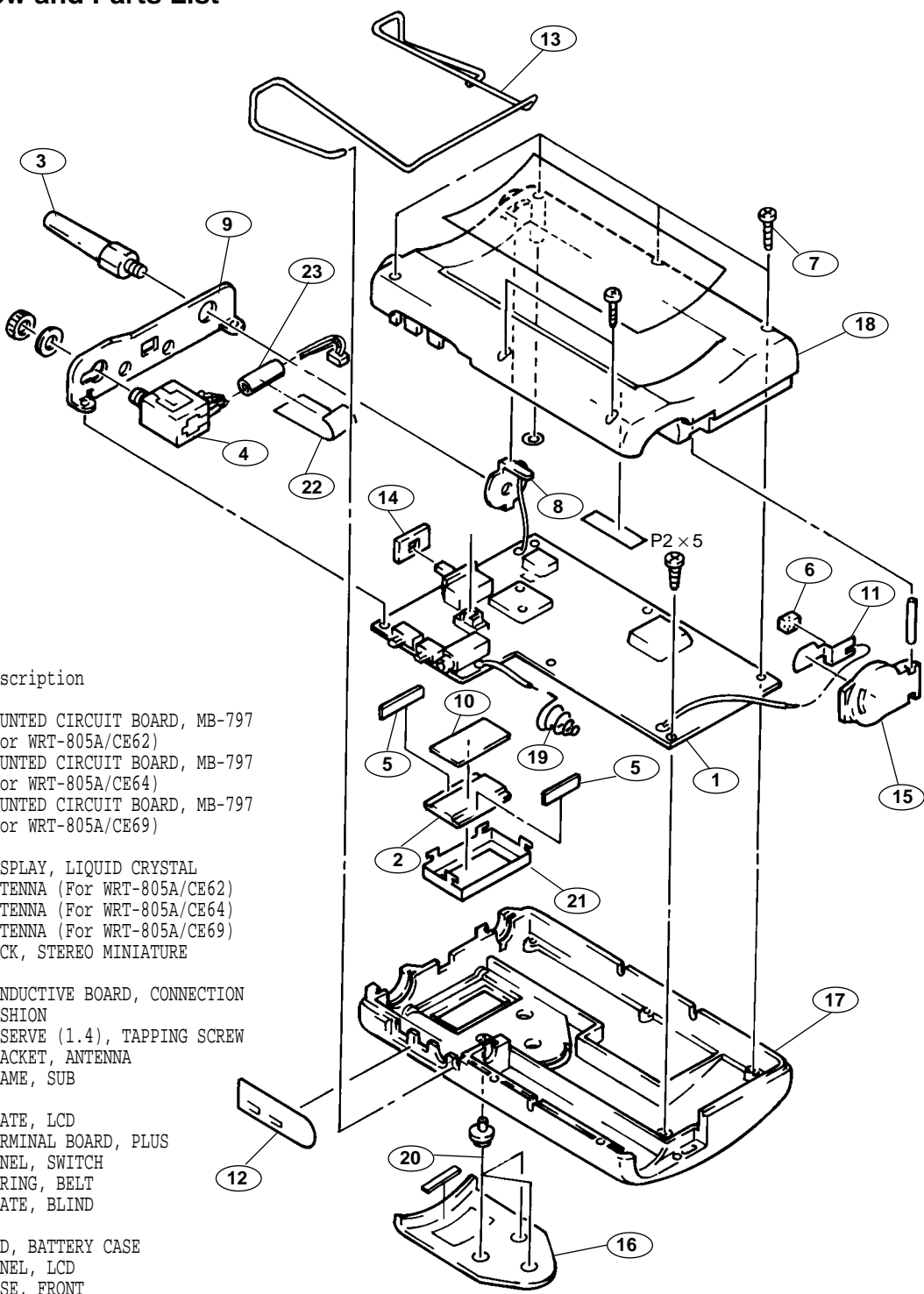


7-2. Exploded View and Parts List



No.	Part No.	SP Description
1	A-8318-598-A	o MOUNTED CIRCUIT BOARD, MB-797 (For WRT-805A/CE62)
	A-8318-600-A	o MOUNTED CIRCUIT BOARD, MB-797 (For WRT-805A/CE64)
	A-8315-487-A	o MOUNTED CIRCUIT BOARD, MB-797 (For WRT-805A/CE69)
2	1-467-301-11	s DISPLAY, LIQUID CRYSTAL
3	1-501-945-11	s ANTENNA (For WRT-805A/CE62)
	1-501-997-11	s ANTENNA (For WRT-805A/CE64)
	1-501-946-11	s ANTENNA (For WRT-805A/CE69)
4	1-507-743-21	s JACK, STEREO MINIATURE
5	1-537-802-11	o CONDUCTIVE BOARD, CONNECTION
6	2-536-671-01	s CUSHION
7	2-544-826-01	s RESERVE (1.4), TAPPING SCREW
8	2-545-240-01	o BRACKET, ANTENNA
9	2-545-241-01	o FRAME, SUB
10	2-545-242-01	o PLATE, LCD
11	2-545-243-01	o TERMINAL BOARD, PLUS
12	2-545-244-01	o PANEL, SWITCH
13	2-545-245-01	o SPRING, BELT
14	2-545-246-01	o PLATE, BLIND
15	2-545-250-01	o LID, BATTERY CASE
16	2-545-251-01	o PANEL, LCD
17	2-545-252-01	o CASE, FRONT
18	2-545-253-02	o CASE, REAR
19	3-180-973-01	s SPRING, BATTERY COIL
20	3-678-339-01	s PUSH BUTTON
21	3-678-343-01	s CASE (LCD)
22	4-860-518-00	s PACKING, TWEETER
23	1-500-545-11	s BEAD, FERRITE