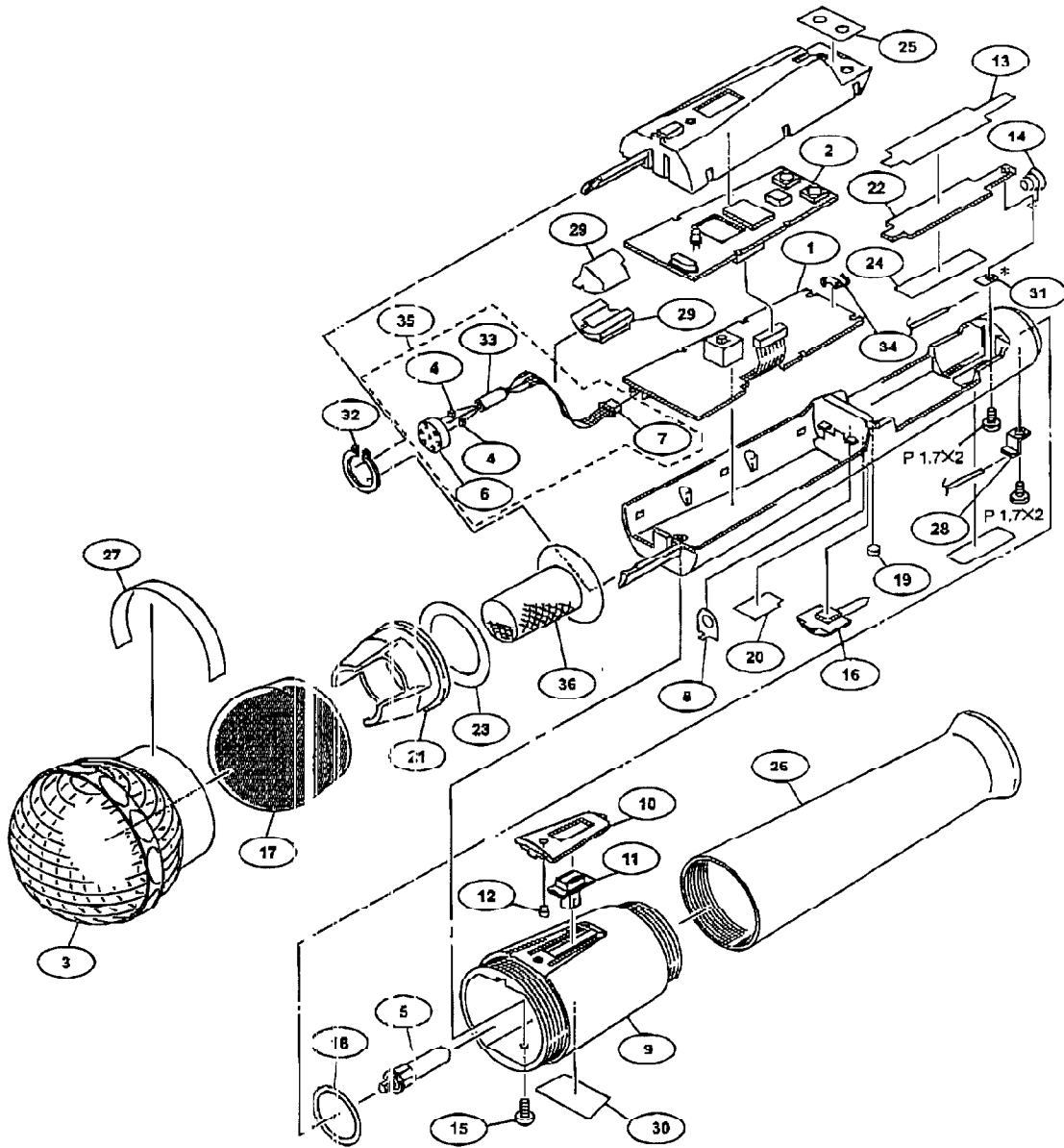


Marsha

219-929-4377

7-2. Exploded View and Parts List

No.	Part No.	SP Description
1	A-8319-649-A	o MOUNTED CIRCUIT BOARD, AU-258
2	A-8318-656-A	o MOUNTED CIRCUIT BOARD, HP-87
3	X-3679-322-2	o CAGE ASSY
4	1-163-137-00	s CAP, CHIP CERAMIC 680PF CH 2012
5	1-501-945-11	s ANTENNA
6	1-542-340-11	o MICROPHONE UNIT K08E103
7	1-956-140-11	o HARNESS, SUB (3P)
8	2-540-996-01	s TERMINAL BOARD, PLUS
9	3-603-329-11	o GRIP B
10	3-603-330-11	o COVER, SWITCH
11	3-603-331-01	o KNOB, SWITCH
12	3-603-332-01	o STICK LIGHT
13	3-603-334-02	s SEAL BATTERY
14	3-603-335-01	s COIL SPRING BATTERY
15	3-603-336-01	s SCREW LE TYPE
16	3-603-337-02	o SCREWDRIIVER SW
17	3-603-339-01	o SCREEN
18	3-603-342-01	o P15, O RING
19	3-603-343-01	o MAGNET
20	3-603-344-01	s SHEET, CHLORIDE VIN L
21	3-605-835-02	o RING, ADJUSTMENT
22	3-605-836-02	o PLATE, STICK
23	3-605-837-01	s RING SHEET, ADHESIVE
24	3-605-838-01	s SHEET, ADHESIVE
25	3-612-848-01	o LABEL SW
26	3-608-713-02	o GRIP A
27	3-608-716-01	o SEAL ORNAMENTAL
28	3-608-717-01	o ANT TERMINAL WRTAY
29	3-609-615-02	o PAD RUBBER
30	3-612-847-01	o LABEL, MODEL NUMBER
31	7-623-505-01	s LOG, 2
32	7-624-197-41	s STOP RING 17, TYPE-
33	1-500-547-11	o BEAD, FERRITE
34	1-414-142-11	s INDUCTOR, MICRO 1uH
35	A-8319-010-A	s UNIT ASSY(CE)
36	3-613-376-01	o NET INNER



* When using Lug 2 (Part No. 7-623-505-01), cut it.
Refer to section 2-2-1.

7-3. Electrical Parts List

(AU-258 BOARD)

AU-258 BOARD		Ref. No. or Q'ty	Part No.	SP Description
Ref. No.			C205	1-162-923-11 s CERAMIC, CHIP 47PF 5% 50V
or Q'ty			C206	1-107-854-11 s TANTALUM, CHIP 68uF 20% 6.3V
			C207	1-135-181-21 s TANTALUM, CHIP 4.7uF 10% 6.3V
			C208	1-110-569-21 s TANTALUM 47uF 10% 6.3V
			C209	1-110-569-21 s TANTALUM 47uF 10% 6.3V
1pc	A-8318-649-A o MOUNTED CIRCUIT BOARD, AU-258 (This assembly includes the following parts.)		CN101	1-565-150-11 o CONNECTOR, ANGLE, 3P
1pc	1-565-128-11 o CONNECTOR, HOUSING 9P, FEMALE		CN102	1-956-139-11 o HARNESS, SUB (CN2)
			CN103	1-566-474-11 s PIN, SOCKET 2P
C101	1-104-847-11 s TANTALUM, CHIP 22uF 20% 4V		D101	8-719-421-69 s DIODE MA133
C102	1-135-181-21 s TANTALUM, CHIP 4.7uF 10% 6.3V		D102	8-719-049-09 s DIODE 1SS367-T3SONY
C103	1-135-181-21 s TANTALUM, CHIP 4.7uF 10% 6.3V		D103	8-719-049-09 s DIODE 1SS367-T3SONY
C104	1-104-847-11 s TANTALUM, CHIP 22uF 20% 4V		D201	8-719-420-51 s DIODE MA729
C105	1-162-970-11 s CERAMIC, CHIP 0.01uF 10% 25V		D202	8-719-420-51 s DIODE MA729
C106	1-162-957-11 s CERAMIC, CHIP 220PF 5% 50V		IC101	8-759-293-74 s IC NJM2100E
C107	1-104-851-11 s TANTALUM 10uF 20% 10V		IC102	8-759-278-03 s IC NE578D-T
C108	1-107-688-11 s TANTALUM, CHIP 1.1uF 20% 10V		IC103	8-759-710-79 s IC NJM2107F
C109	1-135-181-21 s TANTALUM, CHIP 4.7uF 10% 6.3V		IC104	8-759-710-82 s IC NJM2406F
C110	1-135-181-21 s TANTALUM, CHIP 4.7uF 10% 6.3V		IC105	8-759-369-95 s IC TC4069UEP-EL
C111	1-164-217-11 s CERAMIC, CHIP 150PF 5% 50V		IC106	8-759-209-69 s IC TC4S11F
C112	1-107-826-11 s CERAMIC, CHIP 0.1uF 10% 16V		IC107	8-759-082-61 s IC TC4W53FU
C113	1-104-908-11 s TANTALUM, CHIP 47PF 20% 4V		IC108	8-759-710-79 s IC NJM2107F
C114	1-115-416-11 s CERAMIC 1000PF 5% 25V		IC201	8-759-380-06 s IC R55RH303B-T1
C115	1-164-315-11 s CERAMIC, CHIP 470PF 5% 50V		L201	1-412-029-11 s INDUCTOR CHIP 10uH
C116	1-135-149-21 s TANTALUM, CHIP 2.2uF 10% 10V		Q101	8-729-928-27 s TRANSISTOR DTA144EE
C117	1-135-181-21 s TANTALUM, CHIP 4.7uF 10% 6.3V		Q102	8-729-931-69 s TRANSISTOR 2SA1965-TL
C118	1-135-181-21 s TANTALUM, CHIP 4.7uF 10% 6.3V		Q103	8-729-015-66 s TRANSISTOR 2SC4919
C119	1-135-259-11 s TANTALUM, CHIP 10PF 20% 6.3V		Q104	8-729-015-66 s TRANSISTOR 2SC4919
C120	1-162-979-11 s CERAMIC, CHIP 0.027uF 10% 50V		Q105	8-729-015-66 s TRANSISTOR 2SC4919
C121	1-104-847-11 s TANTALUM, CHIP 22PF 20% 4V		Q201	8-729-821-15 s TRANSISTOR 2SD1620
C122	1-165-176-11 s CERAMIC 0.047uF 1% 16V		Q202	8-729-420-74 s TRANSISTOR 2SD1320-RST
C123	1-115-156-11 s CERAMIC 1uF 10V		Q203	8-729-929-73 s TRANSISTOR UMG8-TL
C124	1-164-227-11 s CERAMIC, CHIP 0.02uF 10% 25V		R101	1-216-831-11 s METAL, CHIP 6.8K 5% 1/16W
C125	1-115-417-11 s CERAMIC, CHIP 270PF 5% 25V		R102	1-216-817-11 s METAL, CHIP 470 5% 1/16W
C126	1-162-915-11 s CERAMIC, CHIP 10PF 50V		R103	1-216-841-11 s METAL, CHIP 47K 5% 1/16W
C127	1-104-851-11 s TANTALUM 10uF 20% 10V		R104	1-216-841-11 s METAL, CHIP 47K 5% 1/16W
C128	1-162-966-11 s CERAMIC, CHIP 0.022uF 10% 50V		R105	1-216-832-11 s METAL, CHIP 8.2K 5% 1/16W
C129	1-162-968-11 s CERAMIC, CHIP 0.047uF 10% 50V		R106	1-216-845-11 s METAL, CHIP 100K 5% 1/16W
C130	1-115-416-11 s CERAMIC 1000PF 5% 25V		R107	1-216-839-11 s METAL, CHIP 33K 5% 1/16W
C131	1-162-966-11 s CERAMIC, CHIP 0.022uF 10% 50V		R109	1-216-833-11 s METAL, CHIP 10K 5% 1/16W
C132	1-110-569-21 s TANTALUM 47uF 10% 6.3V		R109	1-216-827-11 s METAL, CHIP 3.3K 5% 1/16W
C133	1-162-970-11 s CERAMIC, CHIP 0.01uF 10% 25V		R110	1-216-845-11 s METAL, CHIP 100K 5% 1/16W
C134	1-162-970-11 s CERAMIC, CHIP 0.01uF 10% 25V		R111	1-216-813-11 s METAL, CHIP 220 5% 1/16W
C135	1-162-919-11 s CERAMIC, CHIP 22PF 5% 50V		R112	1-216-820-11 s METAL, CHIP 820 5% 1/16W
C136	1-162-920-11 s CERAMIC, CHIP 27PF 5% 50V		R113	1-216-821-11 s METAL, CHIP 1K 5% 1/16W
C137	1-162-919-11 s CERAMIC, CHIP 22PF 5% 50V		R114	1-216-836-11 s METAL, CHIP 18K 5% 1/16W
C138	1-162-920-11 s CERAMIC, CHIP 27PF 5% 50V		R115	1-216-849-11 s METAL, CHIP 220K 5% 1/16W
C139	1-162-970-11 s CERAMIC, CHIP 0.01uF 10% 25V		R116	1-216-845-11 s METAL, CHIP 100K 5% 1/16W
C140	1-162-967-11 s CERAMIC, CHIP 0.033uF 10% 50V		R117	1-216-833-11 s METAL, CHIP 10K 5% 1/16W
C141	1-115-412-11 s CERAMIC 680PF 5% 25V		R118	1-216-845-11 s METAL, CHIP 100K 5% 1/16W
C142	1-135-181-21 s TANTALUM, CHIP 4.7uF 10% 6.3V		R119	1-216-829-11 s METAL, CHIP 4.7K 5% 1/16W
C143	1-162-970-11 s CERAMIC, CHIP 0.01uF 10% 25V		R120	1-216-829-11 s METAL, CHIP 4.7K 5% 1/16W
C144	1-162-970-11 s CERAMIC, CHIP 0.01uF 10% 25V		R121	1-216-821-11 s METAL, CHIP 1K 5% 1/16W
C145	1-135-181-21 s TANTALUM, CHIP 4.7uF 10% 6.3V		R122	1-216-836-11 s METAL, CHIP 18K 5% 1/16W
C146	1-104-851-11 s TANTALUM 10uF 20% 10V		R123	1-216-849-11 s METAL, CHIP 220K 5% 1/16W
C147	1-104-851-11 s TANTALUM 10uF 20% 10V		R124	1-216-821-11 s METAL, CHIP 1K 5% 1/16W
C148	1-135-181-21 s TANTALUM, CHIP 4.7uF 10% 6.3V		R125	1-216-825-11 s METAL, CHIP 2.2K 5% 1/16W
C149	1-162-923-11 s CERAMIC, CHIP 47PF 5% 50V		R126	1-216-823-11 s METAL, CHIP 1.5K 5% 1/16W
C150	1-135-181-21 s TANTALUM, CHIP 4.7uF 10% 6.3V			
C151	1-162-966-11 s CERAMIC, CHIP 0.022uF 10% 50V			
C201	1-110-569-11 s TANTALUM, CHIP 4.7uF 20% 6.3V			
C202	1-115-167-11 s TANTALUM, CHIP 10uF 20% 4V			
C203	1-162-965-11 s CERAMIC, CHIP 0.015uF 10% 50V			
C204	1-164-227-11 s CERAMIC, CHIP 0.022uF 10% 25V			

(AU-258 BOARD)

Ref. No. or Qty	Part No.	SP	Description
R127	1-216-823-11	s	METAL, CHIP .53 5% 1/16W
R128	1-216-845-11	s	METAL, CHIP .007 5% 1/16W
R129	1-216-845-11	s	METAL, CHIP .008 5% 1/16W
R130	1-216-830-11	s	METAL, CHIP .6K 5% 1/16W
R131	1-216-830-11	s	METAL, CHIP .6K 5% 1/16W
R132	1-216-821-11	s	METAL, CHIP .K 5% 1/16W
R133	1-219-570-11	s	METAL 10M 5% 1/16W
R134	1-216-853-11	s	METAL, CHIP 70K 5% 1/16W
R135	1-216-845-11	s	METAL, CHIP .00K 5% 1/16W
R136	1-219-570-11	s	METAL 10M 5% 1/16W
R137	1-216-853-11	s	METAL, CHIP .70K 5% 1/16W
R138	1-216-821-11	s	METAL, CHIP .K 5% 1/16W
R139	1-216-833-11	s	METAL, CHIP .0K 5% 1/16W
R140	1-216-829-11	s	METAL, CHIP .7K 5% 1/16W
R141	1-216-829-11	s	METAL, CHIP .7K 5% 1/16W
R142	1-216-847-11	s	METAL, CHIP .50K 5% 1/16W
R143	1-216-845-11	s	METAL, CHIP .00K 5% 1/16W
R144	1-216-829-11	s	METAL, CHIP 1.7K 5% 1/16W
R145	1-216-829-11	s	METAL, CHIP 1.7K 5% 1/16W
R146	1-216-821-11	s	METAL, CHIP .K 5% 1/16W
R147	1-216-845-11	s	METAL, CHIP 100K 5% 1/16W
R148	1-216-839-11	s	METAL, CHIP 33K 5% 1/16W
R149	1-216-841-11	s	METAL, CHIP 47K 5% 1/16W
R150	1-216-841-11	s	METAL, CHIP 47K 5% 1/16W
R151	1-216-845-11	s	METAL, CHIP 100K 5% 1/16W
R152	1-216-845-11	s	METAL, CHIP 100K 5% 1/16W
R153	1-216-833-11	s	METAL, CHIP 10K 5% 1/16W
R155	1-216-829-11	s	METAL, CHIP 4.7K 5% 1/16W
R156	1-216-847-11	s	METAL, CHIP 22K 5% 1/16W
R157	1-216-841-11	s	METAL, CHIP 47K 5% 1/16W
R158	1-216-835-11	s	METAL, CHIP 15K 5% 1/16W
R159	1-216-833-11	s	METAL, CHIP 10K 5% 1/16W
R160	1-216-821-11	s	METAL, CHIP 1K 5% 1/16W
R161	1-216-841-11	s	METAL, CHIP 47K 5% 1/16W
R162	1-216-841-11	s	METAL, CHIP 47K 5% 1/16W
R201	1-216-825-11	s	METAL, CHIP 2.2K 5% 1/16W
R202	1-216-797-11	s	METAL, CHIP 10 5% 1/16W
R203	1-216-845-11	s	METAL, CHIP 10K 5% 1/16W
R204	1-216-811-11	s	METAL, CHIP 6.4K 5% 1/16W
R205	1-216-845-11	s	METAL, CHIP 100K 5% 1/16W
RV101	1-238-858-11	s	RES, ADJ, C RMIT 47K
RV102	1-238-857-11	s	RES, ADJ, C RMIT 22K
RV103	1-238-858-11	s	RES, ADJ, C RMIT 47K
RV104	1-238-858-11	s	RES, ADJ, C RMIT 47K
S201	1-762-712-11	s	SWITCH, SLIDE
T201	1-473-727-21	s	DC-DC CONVERTER
X101	1-767-314-11	s	CRYSTAL 32.768KHz
X102	1-760-928-21	s	CRYSTAL 32.768KHz

RF-87 BOARD

Ref. No.
or Qty Part No. SP Description

lpc A-8318-656-A o MOUNTED CIRCUIT BOARD, RF-87(AU66)

(This assembly includes the following parts.)

C301	1-162-921-11	s	CERAMIC, CHIP 33PF 5% 50V
C302	1-162-910-11	s	CERAMIC, CHIP 5PF 50V
C303	1-162-970-11	s	CERAMIC, CHIP 0.01uF 10% 25V
C304	1-135-149-21	s	TANTALUM, CHIP 2.2uF 10% 10V
C305	1-135-201-11	s	TANTALUM, CHIP 10uF 20% 6.3V
C306	1-162-970-11	s	CERAMIC, CHIP 0.01uF 10% 25V
C307	1-162-970-11	s	CERAMIC, CHIP 0.01uF 10% 25V
C308	1-162-970-11	s	CERAMIC, CHIP 0.01uF 10% 25V
C309	1-162-970-11	s	CERAMIC, CHIP 0.01uF 10% 25V
C401	1-104-752-11	s	TANTALUM, CHIP 33uF 20% 6.3V
C402	1-115-416-11	s	CERAMIC 1000PF 5% 25V
C403	1-104-908-11	s	TANTALUM, CHIP 47uF 20% 4V
C404	1-162-970-11	s	CERAMIC, CHIP 0.01uF 10% 25V
C405	1-165-176-11	s	CERAMIC 0.047uF 10% 16V
C406	1-162-919-11	s	CERAMIC, CHIP 22PF 5% 50V
C407	1-162-919-11	s	CERAMIC, CHIP 22PF 5% 50V
C408	1-135-151-21	s	TANTALUM 4.7uF 20% 4V
C409	1-104-913-11	s	TANTALUM 10uF 10% 16V
C410	1-165-176-11	s	CERAMIC 0.047uF 10% 16V
C411	1-165-176-11	s	CERAMIC 0.047uF 10% 16V
C412	1-162-919-11	s	CERAMIC, CHIP 22PF 5% 50V
C413	1-113-996-11	s	TANTALUM, CHIP 220uF 10% 4V
C414	1-162-970-11	s	CERAMIC, CHIP 0.01uF 10% 25V
C416	1-135-201-11	s	TANTALUM, CHIP 10uF 20% 6.3V
C417	1-115-416-11	s	CERAMIC 1000PF 5% 25V
C418	1-135-181-21	s	TANTALUM, CHIP 4.7uF 10% 6.3V
C419	1-115-416-11	s	CERAMIC 1000PF 5% 25V
C420	1-162-919-11	s	CERAMIC, CHIP 22PF 5% 50V
C421	1-115-416-11	s	CERAMIC 1000PF 5% 25V
C422	1-162-907-11	s	CERAMIC, CHIP 2PF 50V
C423	1-115-416-11	s	CERAMIC 1000PF 5% 25V
C424	1-162-906-11	s	CERAMIC 1.5PF 50V 5%
C425	1-115-416-11	s	CERAMIC 1000PF 5% 25V
C426	1-115-416-11	s	CERAMIC 1000PF 5% 25V
C427	1-162-910-11	s	CERAMIC, CHIP 5PF 50V
CN301	1-573-984-11	o	CONNECTOR, BOARD TO BOARD 10P
CN302	1-565-142-11	o	CONNECTOR, STRAIGHT, 9P MALE
CN401	1-569-160-11	o	SOCKET, STL 2P
CP401	1-760-668-21	s	VOC 790MHZ
CP402	1-251-235-11	s	ISOLATOR CU4C7BIF-607 (For WRT-800A)
CT301	1-141-322-11	s	CAP, CHIP TYPE TRIMMER 20PF
CT401	1-141-435-21	s	CAP, CHIP TYPE TRIMMER 3PF
D301	8-719-048-14	s	DIODE LBR33785-TP-J161K
D402	8-719-421-67	s	DIODE M132WK
D403	8-719-421-69	s	DIODE M133
FL401	1-233-939-11	s	FILTER, LOW PASS (SMD TYPE)
IC301	8-759-530-31	o	IC HD6473614H-WRT825-V3.0
IC302	8-759-277-62	s	IC AT93C46-10SI-2.7-E2
IC303	8-759-096-87	s	IC TC7WU04FU(TL2R)
IC304	8-759-278-36	s	IC S-80727SN-DQ-T2
IC305	8-759-278-37	s	IC S-80720SN-DH-T2
IC306	8-759-388-18	s	IC RN5VT10AA-TR
IC307	8-759-388-19	s	IC RN5VT10AA-TR
IC401	8-752-069-39	s	IC CXAL786N

(RF-87 BOARD)

Ref. No. or Q'ty	Part No.	SP Description
L401	1-410-659-31	INDUCTOR, CHIP 220 NH
L402	1-414-295-11	INDUCTOR 39nH
L403	1-414-462-11	INDUCTOR 8.2nH
L404	1-414-461-11	INDUCTOR 6.8nH
L405	1-414-465-31	INDUCTOR 15nH
L406	1-414-465-31	INDUCTOR 15nH
Q301	8-729-929-11	TRANSISTOR DTC143M-Q
Q302	8-729-425-64	TRANSISTOR 2SD221A-Q
Q401	8-729-425-64	TRANSISTOR 2SD221A-Q
Q402	8-729-928-58	TRANSISTOR DTA143B-TL
Q403	8-729-425-50	TRANSISTOR 2SB145-Q
Q404	8-729-039-32	TRANSISTOR 2SC5011-T1
Q405	8-729-039-32	TRANSISTOR 2SC5011-T1
R301	1-216-857-11	METAL, CHIP 1M 5% 1/16W
R302	1-216-824-11	METAL, CHIP 1.8K 5% 1/16W
R303	1-216-845-11	METAL, CHIP 100K 5% 1/16W
R304	1-216-833-11	METAL, CHIP 10K 5% 1/16W
R305	1-216-833-11	METAL, CHIP 10K 5% 1/16W
R306	1-216-841-11	METAL, CHIP 47K 5% 1/16W
R307	1-216-833-11	METAL, CHIP 10K 5% 1/16W
R308	1-216-845-11	METAL, CHIP 100K 5% 1/16W
R309	1-216-832-11	METAL, CHIP 8.2K 5% 1/16W
R310	1-216-841-11	METAL, CHIP 47K 5% 1/16W
R311	1-216-841-11	METAL, CHIP 47K 5% 1/16W
R312	1-216-841-11	METAL, CHIP 47K 5% 1/16W
R350	1-216-845-11	METAL, CHIP 100K 5% 1/16W
R401	1-216-833-11	METAL, CHIP 10K 5% 1/16W
R402	1-216-837-11	METAL, CHIP 22K 5% 1/16W
R403	1-216-841-11	METAL, CHIP 47K 5% 1/16W
R404	1-216-845-11	METAL, CHIP 100K 5% 1/16W
R405	1-216-841-11	METAL, CHIP 47K 5% 1/16W
R406	1-216-817-11	METAL, CHIP 470 5% 1/16W
R407	1-216-821-11	METAL, CHIP 1K 5% 1/16W
R408	1-216-821-11	METAL, CHIP 1K 5% 1/16W
R409	1-216-841-11	METAL, CHIP 47K 5% 1/16W
R410	1-216-845-11	METAL, CHIP 100K 5% 1/16W
R411	1-216-803-11	METAL, CHIP 33 5% 1/16W
R412	1-216-838-11	METAL, CHIP 27K 5% 1/16W
R413	1-216-834-11	METAL, CHIP 12K 5% 1/16W
R414	1-216-854-11	METAL, CHIP 0.5 5% 1/16W
R415	1-216-833-11	METAL, CHIP 10K 5% 1/16W
R416	1-216-841-11	METAL, CHIP 47K 5% 1/16W
R417	1-216-829-11	METAL, CHIP 4.7K 5% 1/16W
RB301	1-236-907-11	NETWORK RESISTOR (CHIP) 100Kx4
RB302	1-236-907-11	NETWORK RESISTOR (CHIP) 100Kx4
RB303	1-236-907-11	NETWORK RESISTOR (CHIP) 100Kx4
RB304	1-236-907-11	NETWORK RESISTOR (CHIP) 100Kx4
RB305	1-236-907-11	NETWORK RESISTOR (CHIP) 100Kx4
RV401	1-236-851-11	RES, ADJ, CERMET 220
S301	1-771-366-11	SWITCH, ROTARY C RD
S302	1-771-366-11	SWITCH, ROTARY C RD
S303	1-771-366-11	SWITCH, ROTARY C RD
S304	1-692-881-41	SWITCH, SLIDE
X301	1-760-474-11	CRYSTAL 1.0MHz

7-4. Accessories Supplied

Ref. No. or Q'ty	Part No.	SP Description
1pc	2-509-712-21	SCREEN
1pc	3-860-354-31	MANUAL, INSTRUCTION
101	A-8315-501-A	HOLDER ASSY, MICROPHONE
102	2-100-951-04	ADAPTER, SCREW, STAND, SAD-34

