

7-2. Exploded View and Parts List

No.	Part No.	SP Description	No.	Part No.	SP Description
1	A-8269-088-A	o PANEL ASSY, FRONT	43	3-689-811-01	o STOPPER H JACK
2	A-8273-664-A	o PACK ASSY, TUNER (for WRR-850A(64)(U))	44	3-689-812-01	o STOPPER POWER SW
	A-8273-658-A	o PACK ASSY, TUNER (for WRR-850A(66)(U))	45	3-689-824-01	o SLOT, PANEL
	A-8273-673-A	o PACK ASSY, TUNER (for WRR-850A(66)(AU) and WRR-850A(68)(U))	46	3-689-825-22	o REAR PANEL (for WRR-850A(64/66/68)(U))
3	A-8269-096-A	o MOUNTED CIRCUIT BOARD, AC-168	47	3-689-825-13	o REAR PANEL (for WRR-850A(66)(AU))
4	A-8273-666-A	o MOUNTED CIRCUIT BOARD, MA-71 (U,AU)	48	3-897-034-01	s CUSHION (SMALL), ESCUTCHEON
5	A-8269-100-A	o MOUNTED CIRCUIT BOARD, IF-552	49	4-604-057-01	o FRAME
6	A-8269-102-B	o MOUNTED CIRCUIT BOARD, CPU-201 (for WRR-850A(64/66/68)(U))	50	1-938-197-11	o HARNESS (PT-47)
	A-8277-103-A	o MOUNTED CIRCUIT BOARD, CPU-201 (for WRR-850A(66)(AU))	51	8-729-231-60	s TRANSISTOR 2SD1406-GR
7	X-3668-075-0	s KNOB ASSY, CONTROL	52	8-759-390-57	s IC UPC2405AHF
8	△1-429-635-11	s TRANSFORMER, POWER (for WRR-850A(64/66/68)(U))	53	8-759-390-60	s IC UPC2412AHF
	△1-429-636-11	s TRANSFORMER, POWER (for WRR-850A(66)(AU))	54	8-759-390-58	s IC UPC2407AHF
9	△1-526-820-11	s OUTLET, AC 3P (for WRR-850A(64/66/68)(U))	55	△1-955-535-11	o HARNESS, SUB (CN3F)
10	△1-532-742-11	s FUSE (GLASS TUBE), 1.6A 125V (for WRR-850A(64/66/68)(U))	56	1-562-286-11	o HOUSING, CONNECTOR 5P, FEMALE (for WRR-850A(66)(AU))
	△1-576-227-21	s FUSE (H.B.C.) TIME LAG, 1.6A 250V (for WRR-850A(66)(AU))	57	3-686-855-01	s CUSHION, CRT
11	1-562-261-21	s CONNECTOR, BNC, RECEPTACLE	58	2-536-133-01	o LABEL, WARNING, OUTDOOR (for WRR-850A(64/66/68)(U))
12	△1-571-877-11	s SWITCH, PUSH (AC POWER)	59	3-703-845-01	o LABEL (N) (U/C), MAIN CAUTION (for WRR-850A(64/66/68)(U))
13	△1-251-412-11	s INLET (FASTEN TERMINAL), AC 3P (for WRR-850A(64/66/68)(U))	60	3-703-848-01	o LABEL (N), SUB CAUTION (for WRR-850A(64/66/68)(U))
	△1-251-384-11	s INLET (WITH NOISE FILTER), AC 3P (for WRR-850A(66)(AU))	61	3-714-924-01	o LABEL, FUSE CAUTION (for WRR-850A(64/66/68)(U))
14	1-657-742-11	o PRINTED CIRCUIT BOARD, CN-1207	62	3-601-871-01	o LABEL, VOLTAGE (for WRR-850A(66)(AU))
15	1-657-746-11	o PRINTED CIRCUIT BOARD, JK-49	63	3-603-278-01	o LABEL, POWER (AU) (for WRR-850A(66)(AU))
16	1-657-748-11	o PRINTED CIRCUIT BOARD, SW-798	64	3-704-231-01	o LABEL, SAFETY GROUND (for WRR-850A(66)(AU))
17	1-657-749-11	o PRINTED CIRCUIT BOARD, CN-1251	65	4-949-521-16	o LABEL (B) (T.H), FUSE RATING (for WRR-850A(66)(AU))
18	1-695-127-11	s CONNECTOR, XLR 3P, FEMALE	66	4-857-425-00	s BUSHING, 03P INSULATING
19	△1-953-542-11	o HARNESS, SUB (CN3) (for WRR-850A(64/66/68)(U))		3-692-197-01	o SHEET, CONDUCTIVE
20	1-954-998-12	o HARNESS (101)			
21	1-954-999-12	o HARNESS (201)			
22	1-955-000-11	o HARNESS, SUB (CN2)			
23	1-955-002-11	o HARNESS, SUB (CN1)			
24	△1-955-003-11	o HARNESS, SUB (911)			
25	△1-955-004-11	o HARNESS, SUB (912)			
26	1-955-005-11	o HARNESS, SUB (CN3)			
27	1-955-006-11	o HARNESS, SUB (CN4)			
28	1-955-007-11	o HARNESS, SUB (CN5)			
29	1-955-008-11	o HARNESS, SUB (CN6)			
30	1-955-009-11	o HARNESS, SUB (CN7)			
31	1-955-010-11	o HARNESS, SUB (CN8)			
32	1-955-011-11	o HARNESS, SUB (CN9)			
33	1-955-012-11	o HARNESS, SUB (CN10)			
34	2-250-509-00	s SPACER, HANDLE			
35	2-335-924-01	s BUTTON			
36	2-527-909-00	s HANDLE, PANEL			
37	2-540-127-01	o COVER, CASE			
38	2-540-993-12	s BRACKET, MOUNT			
39	2-544-720-01	s BUTTON			
40	3-174-468-01	o RAIL (60), PC BOARD GUIDE			
41	3-490-222-02	s CUSHION, FLYWHEEL			
42	3-670-155-11	s LEG			

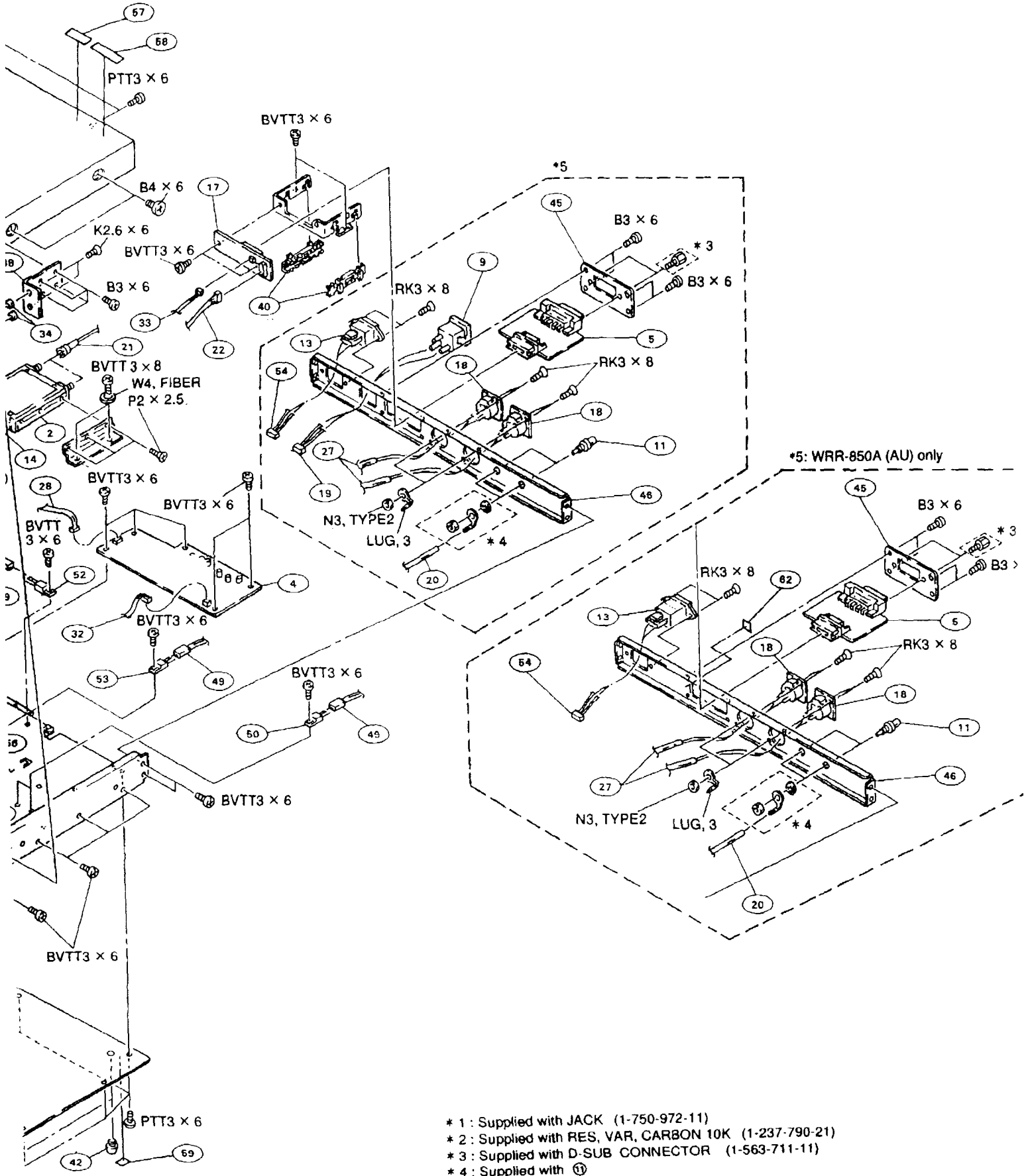
To Bell Pack
219 929 4127
for 929 4377
From Deborah
Sony

(FRAME)

Ref. No. or Q'ty	Part No.	SP Description
[SUB HARNESS (911)]		
1pc	Δ 1-955-003-11	o HARNESS, SUB (911) This cable includes the following connector. CN911 (to AC-168 board) - (to POWER SWITCH)
[SUB HARNESS (912)]		
1pc	Δ 1-955-004-11	o HARNESS, SUB (912) This cable includes the following connector. CN912 (to AC-168 board) - (to POWER SWITCH)
[SUB HARNESS (CN1)]		
2pcs	1-955-005-11	o HARNESS, SUB (CN3) This cable includes the following connectors. CN606 (to CN-1207 board) CN1001/CN2001 (to MA-71 board)
[SUB HARNESS (CN5)]		
1pc	1-955-007-11	o HARNESS, SUB (CN5) This cable includes the following connectors. CN901 (to AC-168 board) CN3002 (to MA-71 board)
[SUB HARNESS (CN6)]		
1pc	1-955-008-11	o HARNESS, SUB (CN6) This cable includes the following connectors. CN3004 (to MA-71 board) CN3007 (to SW-798 board)
[SUB HARNESS (CN7)]		
1pc	1-955-009-11	o HARNESS, SUB (CN7) This cable includes the following connectors. CN3003 (to MA-71 board) CN3006 (to JK-49 board)
[SUB HARNESS (CN8)]		
1pc	1-955-010-11	o HARNESS, SUB (CN8) This cable includes the following connectors. CN752 (to CPU-201 board) CN903 (to AC-168 board)
[SUB HARNESS (CN9)]		
1pc	1-955-011-11	o HARNESS, SUB (CN9) This cable includes the following connectors. CN904 (to AC-168 board) CN3005 (to MA-71 board)
[SUB HARNESS (CN10)]		
1pc	1-955-012-11	o HARNESS, SUB (CN10) This cable includes the following connectors. CN913 (to AC-168 board) CN4003 (to CN-1251 board)
[SUB HARNESS (CN3F)]		
1pc	Δ 1-955-535-11	o HARNESS, SUB (CN3F) This cable includes the following connector. CN909 (to AC-168 board) - (to INLET on REAR PANEL)

7-4. Accessories Supplied

Ref. No. or Q'ty	Part No.	SP Description
• For WRR-850A(64/66/68) (U)		
1pc	Δ 1-551-812-11	s CORD SET, POWER
1pc	Δ 3-800-445-11	s MANUAL, INSTRUCTION
• For WRR-850A(66) (AU)		
1pc	Δ 1-590-910-11	s CORD SET, POWER
1pc	Δ 3-800-445-21	s MANUAL, INSTRUCTION



- * 1 : Supplied with JACK (1-750-972-11)
- * 2 : Supplied with RES, VAR, CARBON 10K (1-237-790-21)
- * 3 : Supplied with D-SUB CONNECTOR (1-563-711-11)
- * 4 : Supplied with ①