

Wall-Mount Bracket

Operating Instructions

- This Wall-Mount Bracket is designed for use with the Sony KLV-SG21M1 LCD Color TV.

SU-W210

Thank you for purchasing this product.

For Customers

Sufficient expertise is required for installing this product, especially to assure the strength of the wall. Be sure to entrust the attachment of this product on the wall (Step 1 to Step 3 in “Installation”) to qualified service personnel and pay adequate attention to safety during the installation. We are not liable for any damage or injury caused by mishandling or improper installation.

WARNING

To avoid risk of serious injury or damage to the TV caused by dropping it, observe the following precautions.

- Do not hang from the TV or the Wall-Mount Bracket installed on the wall.
- Be careful not to trap the AC power adaptor cord of the TV when you secure the TV to the Wall-Mount Bracket.
- Follow the installation procedures and installation direction described in this manual.
For a safety installation, consult qualified service personnel.
- Before installing, confirm that the wall has sufficient strength to support the TV and the Wall-Mount Bracket. The installation location should be a flat, perpendicular wall with a reinforcing material inside.
- Do not apply a weight other than the TV to the Wall-Mount Bracket installed on the wall.
- Do not disassemble, modify or change the parts of the Wall-Mount Bracket.

For qualified service personnel

Sufficient expertise is required for installing this product. Be sure to read this instruction manual thoroughly to do the installation work safely. We are not liable for any damage or injury caused by mishandling or improper installation. After installation, please hand this instruction manual to the customers.

Caution

- This Wall-Mount Bracket is only for the specified Sony LCD Color TVs.
Do not use the bracket with a TV whose operating instructions do not specify the use of this bracket.
- Be especially careful not to drop the TV when you install it high on a wall.

Installation

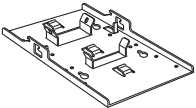

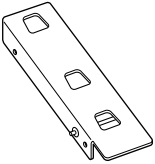

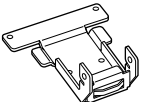

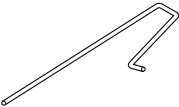
For qualified service personnel

For the installation, have ready eight commercially available mounting screws, anchor bolts, etc. that are appropriate for the wall.

The type and length of the screws required depend on the material and strength of the wall. If you do not know which material your wall is made of, consult qualified service personnel.

Step 1: Check the parts

Check all the parts are included in the package.

| | | | |
|--|---|---|---|
| <p>Bracket (A) (1)</p>  | <p>Bracket (C) (3) (0°, 5°, 10°)</p>  | <p>Bracket (E) (1)</p>  | <p>Screw (6) (with washer)</p>  |
| <p>Bracket (B) (1)</p>  | <p>Bracket (D) (1)</p>  | | <p>Locking rod (1)</p>  |

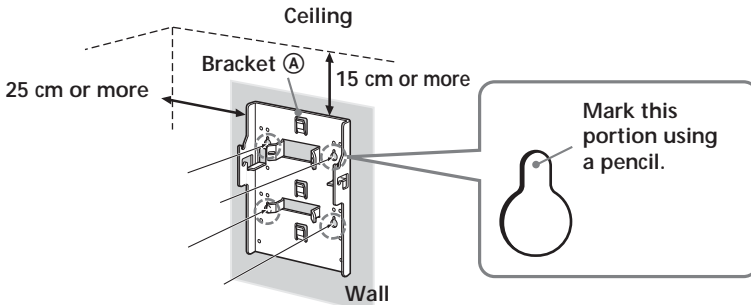
continued

Step 2: Decide the installation location

Decide the location on the wall to install the TV.

Then, place bracket **(A)** on the installation location and mark the four screw holes on the wall using a pencil.

Before marking the location of the holes, make sure that the distance between the upper edge of bracket **(A)** and the ceiling is 15 cm or more, and that between the side edge of bracket **(A)** and the side wall is 25 cm or more.



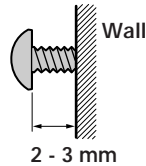
Note

Attach bracket **(A)** level with the floor.

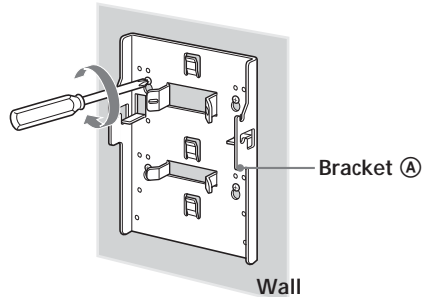
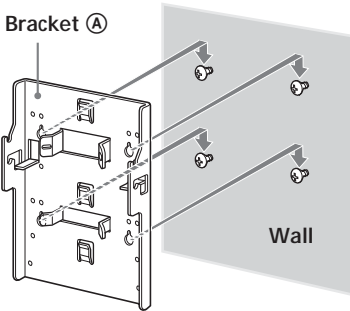
Step 3: Secure bracket (A) to the wall

1 Insert four of the screws you prepared at the positions marked in Step 2 (page 4).

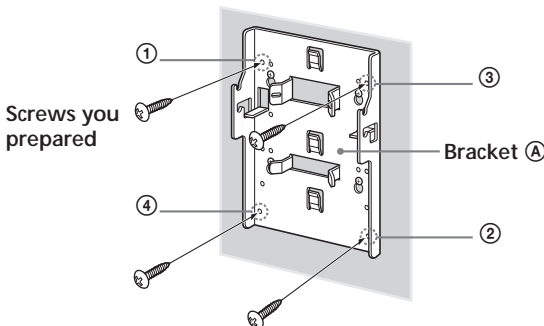
Do not tighten the screws completely for the moment. Keep a space of 2 to 3 mm from the wall.



2 Press bracket (A) to the wall and slide it down. Then fully tighten the four screws on the wall.



3 Insert four of the screws you prepared in the screw holes, and tighten them securely in the order of ① to ④ as shown below.



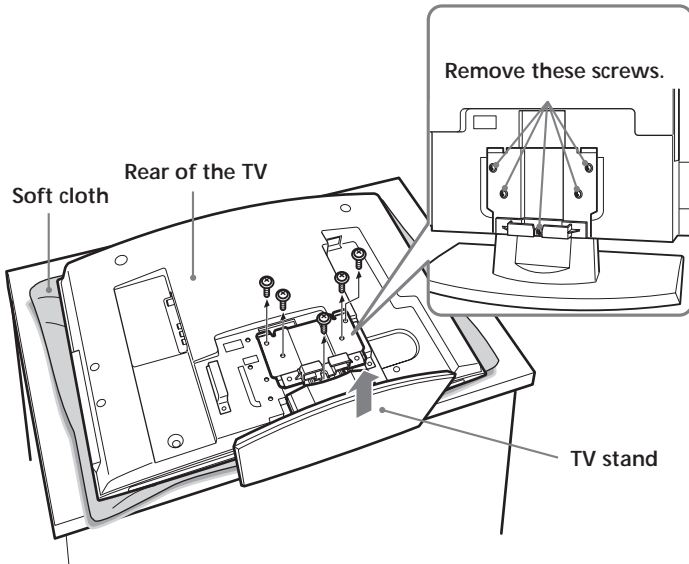
continued

Step 4: Attach bracket ② to the TV

Before attaching bracket ②, remove the rear cover of the TV and disconnect all the cables from the TV.

See the Operating Instructions for the KLV-SG21M1 for details on detaching the rear cover.

- 1 Remove the five screws and detach the TV stand from the TV.**
To protect the LCD panel surface from possible damages, lay the TV face down on a soft cloth.

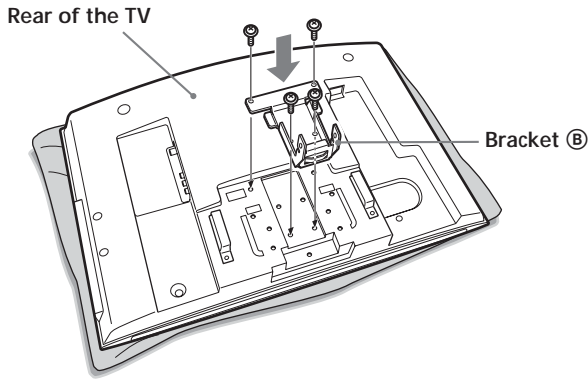


Notes

- Lay the TV face down on a stable and level surface, letting the TV stand stick out in the air. Putting the TV face and the stand on the same level surface makes the TV unit inclined, thus unstable, causing any danger.
- When removing the TV stand, hold it firmly.

2

Align the four holes on bracket **(B)** to the corresponding holes on the rear panel then secure the bracket to the TV using four of the five screws you removed previously.



Note

Keep the remaining screw for future use. Use it to secure the stand to the TV again.

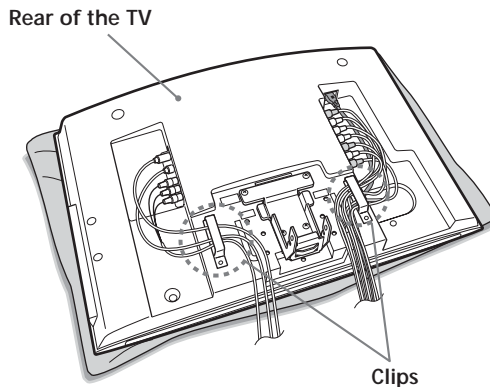
Step 5: Connect the cables

1

Connect the cables.

Bundle the cables and secure them with the clips.

Do not attach the rear cover.



continued

Step 6: Attach brackets ③, ④, and ⑤ to the TV

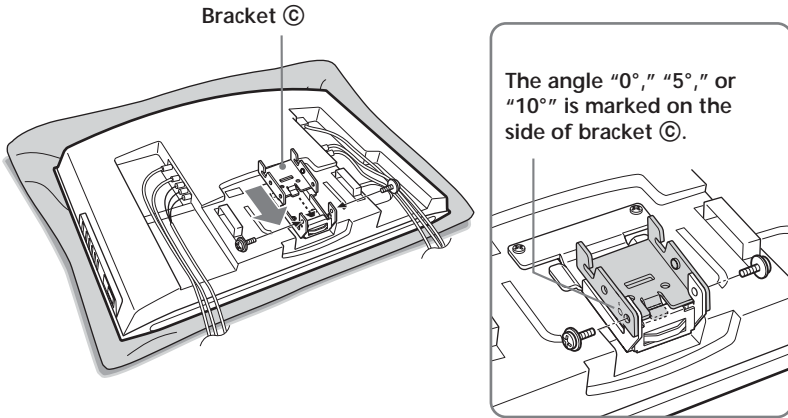
1

Attach bracket ③ of the desired angle to bracket ②.

Insert the hooked part of bracket ③ into bracket ② as illustrated below. Confirm that both sides of bracket ③ are outside bracket ②, and secure them firmly with two of the supplied screws.

There are three types of bracket ③, each with a different angle: 0°, 5°, and 10°. Choose the bracket ③ with the desired angle to attach.

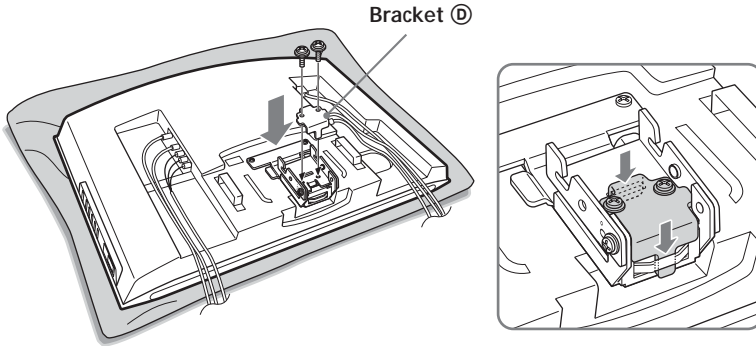
The illustration below shows an example of how to attach bracket ③ with an angle of 0°.



2

Attach bracket ④ to bracket ③, and secure them firmly with two of the supplied screws.

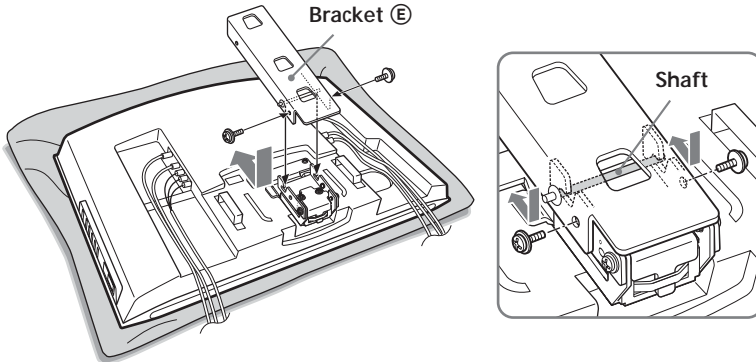
Place bracket ④ onto bracket ③ as illustrated below, and secure them with the two screws.



3

Attach bracket ⑤ to bracket ③, and secure them firmly with two of the supplied screws.

Slide the shaft of bracket ⑤ into the notches of bracket ③ as illustrated below, and secure them with the two screws one on each side.



Note

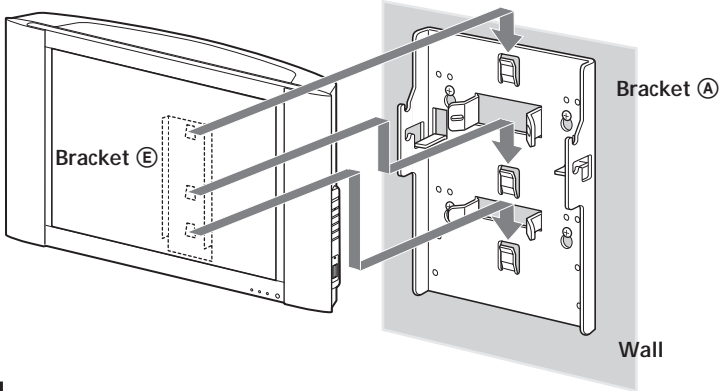
Be careful not to get your fingers caught between the brackets when attaching them.

continued

Step 7: Secure the TV to the wall

1

Hook bracket ⑤ on bracket ④.



Notes

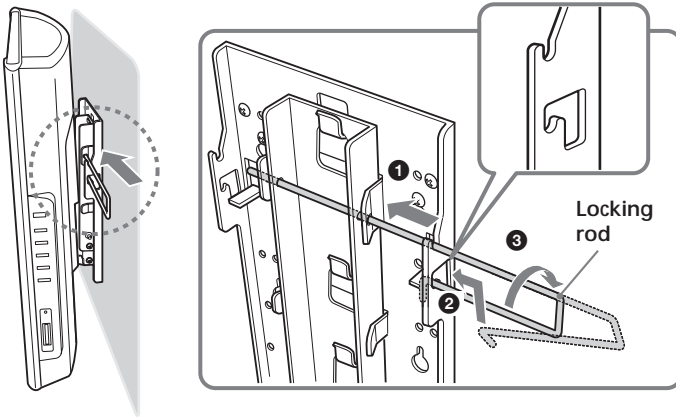
- Hold the TV firmly. Be especially careful when you secure the TV in a high place.
- Do not release the TV until you confirm that bracket ⑤ is firmly secured to bracket ④ at three locations.

2

Insert the locking rod.

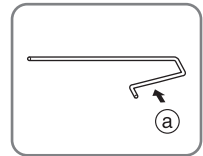
The locking rod can be inserted from either side. The illustration below shows an example of how to insert the locking rod from the right side.

- 1 Insert the longer side of the locking rod into the holes on bracket (E).
- 2 Insert the curved side of the locking rod into the hole on bracket (A). Hold and press the locking rod at part (a) to pass its end through the hole.
- 3 Turn the locking rod until it stops to secure it in place.



Note

To prevent the locking rod from falling out of the brackets, the space between both ends of the locking rod is greater than that between the holes on the brackets. Hold and press the locking rod at part (a) so that it can pass through the holes.

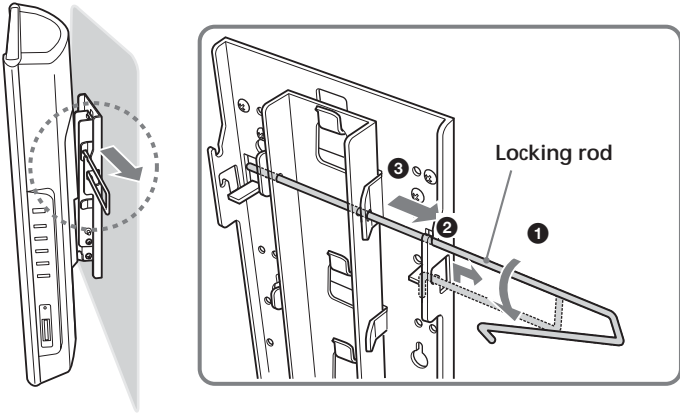


Caution

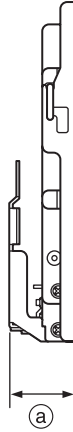
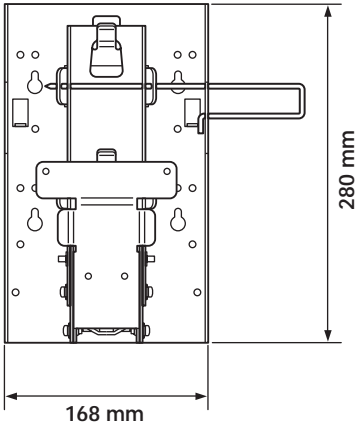
If the TV is lifted up when the locking rod is not installed properly, the TV may fall off the Wall-Mount Bracket and cause serious injury. Be sure to insert and secure the locking rod in place.

Detaching the TV from the Wall-Mount Bracket

Remove the locking rod from brackets (A) and (E), then detach the TV from the Wall-Mount Bracket.



Specifications



Value (a) varies depending on the angle of bracket (C).

| Bracket (C) angle | (a) |
|-------------------|-------|
| 0° | 55 mm |
| 5° | 63 mm |
| 10° | 71 mm |

Bracket mass: Approx. 1.6 kg
Supportable weight: Approx. 12 kg

Design and specifications are subject to change without notice.

<http://www.sony.net/>

Printed in China