

Français

Location and Function of Controls

Remote control/timer/digital input/output adaptor
RMR-D100 (main unit)

Front side (See fig. A-①)

- 1 **OPERATE switch and lamp**
To remote control the TCD-D100, set the switch to ON
To remote control the TCD-D6/D7/D3, set the switch to either STANDBY or ON
To use the input/output connectors or to make tuner-activated recording or playback, set it to ON

- 2 **Remote sensor**

- 3 **INPUT SELECT selector**
Selects the input signals of the TCD-D100 (either digital or analog)

- 4 **TIMER selector**

Rear side (See fig. A-②)

- 5 **Optical input/output jacks**
- 6 **OPTICAL INPUT (optical digital input) jack**
- 7 **OPTICAL OUTPUT (optical digital output) jack***
- 8 **Special 7-pin connector**
- 9 **DIGITAL INPUT selector**
- 10 **COAXIAL INPUT (coaxial digital input) jack**
- 11 **COAXIAL OUTPUT (coaxial digital output) jack***
- 12 **Power supply cord**

* Whichever position is selected on the DIGITAL INPUT selector, the signal of TCD-D100 is output simultaneously from the OPTICAL OUTPUT and COAXIAL OUTPUT jacks.

Remote Commander RMT-D101 (See fig. A-③)

- 13 **START ID (AUTO, WRITE, ERASE, RENUMBER) buttons**
For writing or erasing a start ID and renumbering program numbers.
- 14 **Numeric buttons, CLEAR, MUSIC SCAN buttons**
For direct selecting
- 15 **O button**
For record-erasing.
- 16 **CD (II, I<<<, >>>) buttons**
For remote-control operation of Sony CD players connected to this unit
- 17 **CD SYNCHRO (STOP, START, STANDBY) buttons**
For synchronized recording with SONY CD players connected to this unit
- 18 **COUNTER (MODE, RESET) buttons**
(have the same function as the TCD-D100 buttons)

- 19 **Tape operation buttons**

●, ■, ▶, II, buttons:
(have the same function as the TCD-D100 buttons.)

I<<<, I>>> buttons:

AMS Function (You can search for the beginning of a track by pressing I<<< or I>>> buttons in any mode.)

◀◀, ▶▶ buttons:

For rewind and fast-forward during stop mode. For review and cue during playback mode (High speed review and high speed cue are not possible.)

Precautions

On safety

- Before connecting the RMR-D100 remote control adaptor to the wall outlet, check to be sure that the unit's operating voltage is the same as your local power supply (see "Specifications"). Use only the supplied power cord and no other type.
- The nameplate indicating operating voltage, power consumption, etc., is located on the bottom exterior of the RMR-D100.
- To operate the commander, use two R6 (size AA) batteries. Never use any other type.
- Should any liquid or solid object fall into the cabinet, unplug the RMR-D100 and have it checked by qualified personnel before operating it any further.
- Unplug the RMR-D100 from the wall outlet if it is not going to be used for several days or more. To disconnect the cord, pull it out by the plug; never pull the cord itself.
- To avoid damage from battery leakage, remove the batteries from the commander when it is not going to be used for several days or more.
- The unit is not disconnected from the AC power source (mains) as long as it is connected to the wall outlet, even if the unit itself has been turned off.

On installation

Do not install the kit near heat sources such as radiators or air ducts, or in locations subjects to direct sunlight, excessive dust, excessive moisture, mechanical vibrations or shock.

On cleaning

Clean the kit with a lightly dampened soft cloth. Use a mild household detergent. Never use strong solvents such as thinner or benzene as they might damage the unit's exterior finish.

If you have any questions or problems concerning your unit that is not covered in this manual, please consult your nearest Sony dealer.

Specifications

System

Infrared pulse method

Power requirements

RMR-D100:

120 V AC, 60 Hz (the USA model)

230 V AC, 50 Hz (other models)

RMT-D101

DC 3 V, two R6 (size AA)

batteries

Power consumption

2.2 W (RMR-D100)

Inputs

Digital coaxial jack (phono-jack)

Digital optical jack (Rectangular-shaped optical jack)

Outputs

Digital coaxial jack (phono-jack)

75 ohms, 0.5 V_{p-p}, ±20%

Digital optical jack (Rectangular-shaped optical jack)

wavelength: 680 nm, -18 dBm

Mass

RMR-D100: approx. 360 g (12.7 oz)

RMT-D101: approx. 130 g (4.6 oz)

including batteries

Dimensions

RMR-D100: approx.

83 × 35 × 117 mm (w/h/d)

(3 1/8 × 1 7/16 × 4 5/8 inches)

including projecting parts

RMT-D101: approx.

45 × 26 × 210 mm (w/h/d)

(1 13/16 × 1 1/16 × 8 2/3 inches)

including projecting parts

Supplied accessories

R6 (Size AA) batteries (2)

Accessories not supplied

Digital connecting cord (phono-plug)

VMC-10HG (1 m)

Digital cable for optical transmission

(optical plug) POC-5A/5AB (0.5 m),

POC-10A/10AB (1 m),

POC-15A/15AB (1.5 m)

* Your dealer may not handle the above listed accessories. Please ask the dealer for detailed information.

Design and specifications are subject to change without notice.

AVERTISSEMENT

Afin d'éviter tout risque d'incendie ou d'électrocution, ne pas exposer cet appareil à la pluie ou à l'humidité.

Afin d'éviter tout risque d'électrocution, ne pas ouvrir le coffret. Pour toute réparation, faire appel à un professionnel uniquement.

Avant propos

Merci d'avoir choisi le Sony RM-D100K! Le RM-D100K est un ensemble comprenant entre autres l'adaptateur de télécommande, minuterie et entrée/sortie numérique, conçu pour l'enregistreur audionumérique TCD-D100.

Avant la mise en service de cet appareil, prenez de lire attentivement ce mode d'emploi que l'on conservera pour toute référence future.

Cet ensemble adaptateur est conçu pour être utilisé avec l'enregistreur audionumérique TCD-D100. Il peut être également utilisé avec les TCD-D6/D7/D3.

Veuillez tenir compte des recommandations suivantes.

Remarques

Veuillez à utiliser le TCD-D100 sur le courant secteur.

- L'utilisation des piles peut perturber le signal d'entrée/sortie et le fonctionnement de la télécommande.

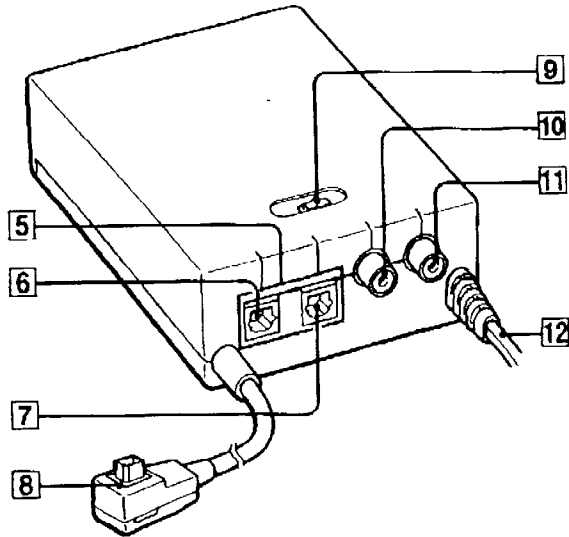
- Il est impossible de faire fonctionner le TCD-D6/D7/D3 dans le mode économique.

Caractéristiques

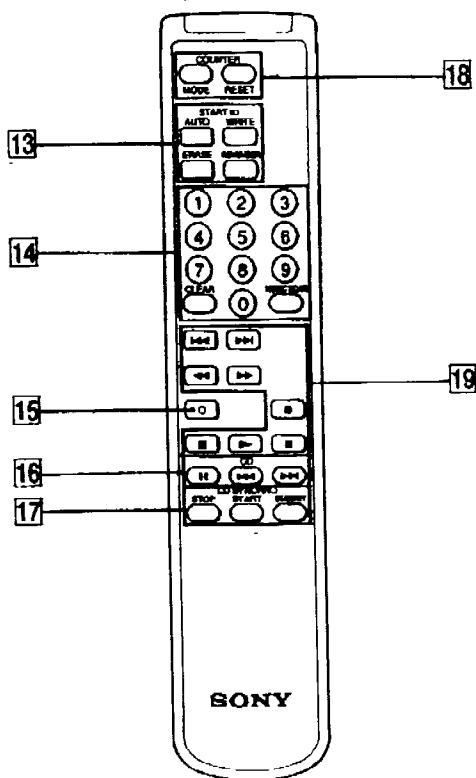
Quand le RM-D100K est raccordé au TCD-D100, vous pouvez:

- commander à distance le TCD-D100, en particulier sélectionner des programmes, rechercher des passages et enregistrer des passages silencieux.
- connecter l'appareil à d'autres appareils audio par les prises d'entrée/sortie numériques (les deux prises sont de type optique et coaxial numérique)
- programmer un enregistrement ou la lecture sur le TCD-D100, dans la mesure où vous avez raccordé une minuterie audio (non fournie)

ⓑ (Rear side)
(Arrière)



ⓒ Remote Commander RMT-D101
Télécommande RMT-D101



English

WARNING

To prevent fire or shock hazard, do not expose the unit to rain or moisture.

To avoid electrical shock, do not open the cabinet. Refer servicing to qualified personnel only.

Main cord must only be changed at qualified service shop.

For the Customers in the U.S.A.



This symbol is intended to alert the user to the presence of unshielded "dangerous voltage" within the product's enclosure that may be of sufficient magnitude to constitute a risk of electric shock to persons.



This symbol is intended to alert the user to the presence of important operating and maintenance (servicing) instructions in the literature accompanying the appliance.

WARNING

This equipment has been tested and found to comply with the limits for a Class B digital device, pursuant to Part 15 of the FCC Rules. These limits are designed to provide reasonable protection against harmful interference in a residential installation. This equipment generates, uses, and can radiate radio frequency energy and, if not installed and used in accordance with the instructions, may cause harmful interference to radio communications. However, there is no guarantee that interference will not occur in a particular installation. If this equipment does cause harmful interference to radio or television reception, which can be determined by turning the equipment off and on, the user is encouraged to try to correct the interference by one or more of the following measures.

- Reorient or relocate the receiving antenna.
- Increase the separation between the equipment and receiver.
- Connect the equipment into an outlet on a circuit different from that to which the receiver is connected.
- Consult the dealer or an experienced radio/TV technician for help.

CAUTION

You are cautioned that any changes or modifications not expressly approved in this manual could void your authority to operate this equipment.

Before you begin

Thank you for purchasing Sony RM-D100K! The RM-D100K is the remote control, tuner, and digital input/output adaptor kit for the digital audio tape-corder TCD-D100.

Before operating the unit, please read this manual thoroughly and retain it for future reference.

This adaptor kit is designed to be used with the digital audio tape-corder TCD-D100. It can also be used with the digital audio tape-corder TCD-D8/D7/D3.

Please attention to the following

Notes

- Be sure to operate the TCD D100 on house current.
- Using batteries may interfere with the input/output signals and may cause a malfunction of the remote commander.
- It is impossible to operate the TCD-D8/D7/D3 during low-power consumption mode.

Features

- With the RM-D100K connected to TCD-D100, you can:
 - Enjoy wireless control of the TCD-D100 (including direct selecting of desired programs, music scanning, and record muting operations).
 - Connect to other audio equipment using digital input/output connectors (both optical and coaxial digital).
 - Make timer-activated recordings and playbacks on the TCD-D100 (when used with an audio timer, not supplied).