

MAIN

219 929 4377

Ref. No.	Part No.	Description	Remark
		MISCELLANEOUS *****	
	LCD501 1-810-282-11	DISPLAY PANEL, LIQUID CRYSTAL	

		ACCESSORIES & PACKING MATERIALS *****	
△	1-467-114-22	ADAPTOR, AC (AC-970) (US/CND)	
△	1-467-302-11	ADAPTOR, AC (AC-970) (AEP)	
△	1-467-522-11	ADAPTOR, AC (UK)	
	1-543-827-31	CLAMP, SLEEVE FERRITE	
	3-757-784-11	MANUAL, INSTRUCTION (ENGLISH, FRENCH, GERMAN)	
*	4-961-76C-01	CUSHION	
*	4-961-764-31	INDIVIDUAL CARTON	

		***** HARDWARE LIST *****	
#1	7-685-245-19	SCREW +KTP 3X6 TYPE2 NON-SLIT	
#2	7-685-134-19	SCREW +P 2.6X8 TYPE2 NON-SLIT	
#3	7-682-547-09	SCREW +BVT 3X6 (S)	
#4	7-685-103-19	+ PTPWH (2X5)	
#5	7-685-546-19	SCREW +BTP 3X8 TYPE2 N-S	

Jeff
HRMPS
no Battery

The components identified by mark △ or dotted line with mark △ are critical for safety. Replace only with part number specified.	Les composants identifiés par une marque △ sont critiques pour la sécurité. Ne les remplacer que par une pièce portant le numéro spécifié.
----------------------------------------------------------------------------------------------------------------------------------	--------------------------------------------------------------------------------------------------------------------------------------------

9-959-192-11

Sony Corporation
Audio Group

English
94A09Y0984-1
Printed in Germany
© 1994.1

Published by Audio Sector Quality Assurance Dept.

SECTION 3 EXPLODED VIEW

NOTE:

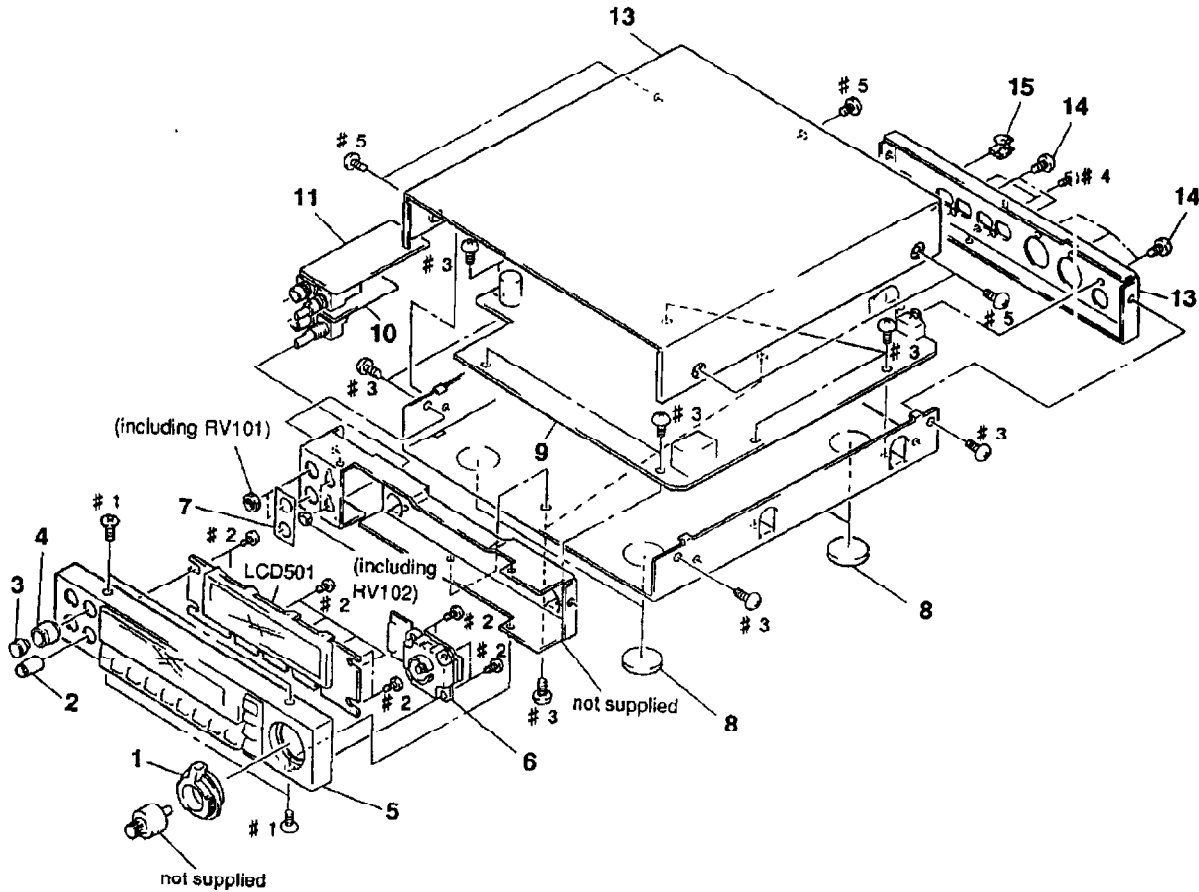
• Items marked " * " are not stocked since they are seldom required for routine service. Some delay should be anticipated when ordering these items.

• Color Indication of Appearance Parts Example:
KNOB, BALANCE (WHITE) ... (RED)

↑ Parts color ↑ Cabinet's color

- -XX, -X mean standardized parts, so they may have some difference from the original one.
- The mechanical parts with no reference number in the exploded views are not supplied.
- Hardware (# mark) list and accessories and packing materials are given in the last of this parts list.

3-1. CABINET ASSEMBLY



ef. No.	Part No.	Description
1	4-961-320-01	KNOB (A)
2	4-961-321-01	KNOB (B)
3	4-961-324-01	KNOB (C)
4	4-961-323-01	KNOB (D)
5	X-4944-036-1	PANEL ASSY, FRONT
6	1-649-451-13	ENCODER BOARD
7	4-962-901-01	SHEET, BLIND
8	4-962-567-01	FOOT
9	A-4369-764-A	MAIN BOARD, COMPLETE

Remark	Ref. No.	Part No.	Description	Remark
	* 10	1-649-452-13	HEADPHONE BOARD	
	* 11	1-649-453-13	INPUT BOARD	
	* 12	4-961-314-01	CASE	
	* 13	4-961-313-01	PANEL, BACK	
	14	3-704-515-21	SCREW (BV/RING)	
	15	4-962-113-01	CLAMP	
	LCD501	1-810-282-11	DISPLAY PANEL, LIQUID CRYSTAL	