

SONY®

FLAT BLACK AND WHITE MONITOR

FDM-402A

OPERATING INSTRUCTIONS

Before operating the system, please read this manual thoroughly, and retain it for future reference.

OWNER'S RECORD

The model and serial numbers are located at the bottom. Record the serial number in the space provided below. Refer to them whenever you call upon your Sony dealer regarding this product.

Model No. FDM-402A

Serial No. _____

CONTENTS

Warning	2
Precautions	4
Features	5
Parts list	5
Location and function of controls	6
Connection	8
Monitor placement	12
Operation	14
Specifications	15

WatchCam

PRECAUTIONS

Safety

- Operate the unit only on 6 V dc.
- **For AC operation, use only the recommended AC power adaptor. Do not use any other AC power adaptor.**
- **For car battery operation, use the car battery cord recommended for this unit. Do not use any other car battery cord.**
- One blade of the plug of the AC power adaptor is wider than the other for the purpose of safety, so the plug will fit into the power outlet one way. If you are unable to insert the plug fully into the outlet, contact your dealer.
- Should any liquid or solid object fall into the cabinet, unplug the AC power adaptor and have the unit checked by the qualified personnel before operating it any further.
- Unplug the AC power adaptor from the wall outlet if it is not going to be used for several days or more. To disconnect the cord, pull it out by the plug. Never pull the cord itself.

Installation

- Do not install the unit in a hot or humid place or in a place subject to excessive dust or mechanical vibration.
- The unit is not designed to be waterproof. Exposed to rain or water (near the pool) may damage the unit.

Cleaning

Clean the unit with a slightly damp soft cloth. Use a mild household detergent. Never use strong solvents such as thinner or benzene as they might damage the finish of the unit.

Repacking

Retain the original carton and packing materials for safe transport of this unit in the future.

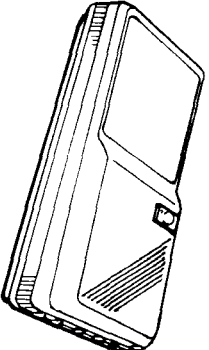
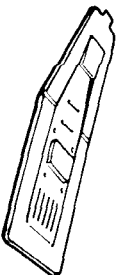

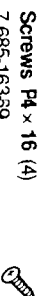
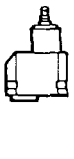
Contact your nearest Sony service facility if you have any questions regarding this system.

FEATURES

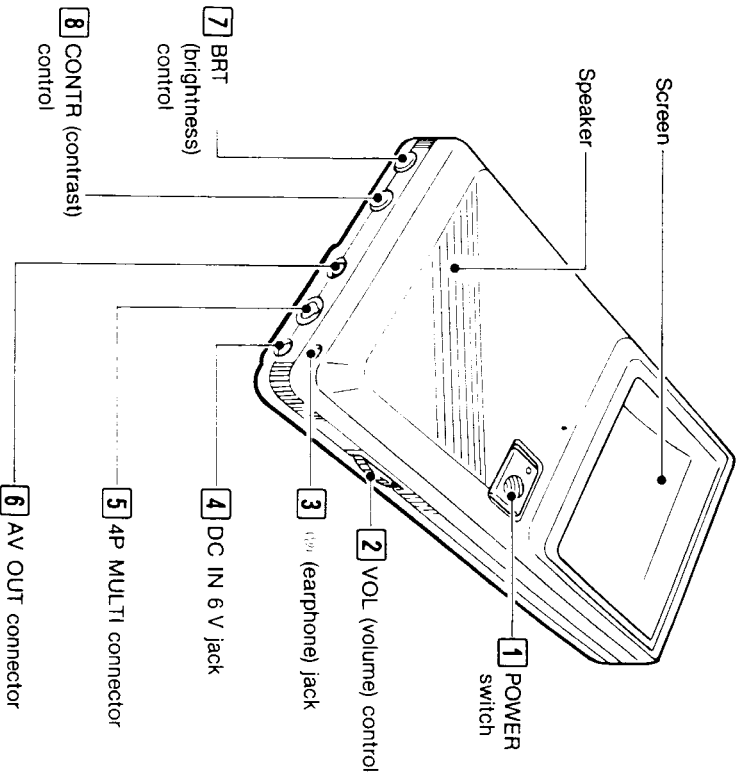
The FDM-402A flat black and white monitor is designed for Sony camera and monitor system "WatchCam".

- Miniature BMW monitor for portable or desktop use
- 4-inch flat black-and-white picture tube
- Recessed tilted screen for comfortable viewing
- Built-in 1.5-inch speaker
- DYNAMIC FOCUS™ increases sharpness over the entire screen
- DC IN 6 V jack for connecting to the AC power adaptor
- Equipped with 4-pin connector for 6 V DC output and video and audio inputs
- AV unconnector for audio and video output to connect another FDM-402A monitor for multimonitor system

PARTS LIST

 <p>FDM-402A flat black and white monitor (1)</p>	 <p>Stand (1) X-4375-806-1</p>
 <p>Wall plate (1) 4-375-808-01</p>	 <p>Screws P4 x 16 (4) 7-685-16339</p>
 <p>VMC-140 plug adaptor (1)</p>	

LOCATION AND FUNCTION OF CONTROLS



- 1 POWER SWITCH**
Depress (ON) to turn on the monitor. Press it again to turn it off.
- When the monitor is connected to the VT-DC2 tuner/camera switcher, it is turned on when the CAMERA 1, CAMERA 2 or TUNER switch on the VT-DC2 is pressed, regardless of this switch setting.

6

- 2 VOL control**
Turn downward to increase the sound volume heard through the monitor speaker or earphone, and upward to decrease it. To turn off the sound, turn this control upward until it clicks.
- 3 jack (mini-jack)**
Connect an optional earphone for private listening. When the earphone is plugged in, the speaker is disconnected.

- 4 DC IN 6 V jack**
Accepts the power (DC 6 V) through the optional AC-40A AC power adaptor (AC 120 V, 60 Hz) or the connected DCC-40A car battery cord (optional).

- 5 4P MULTI connector**
Connect to the MONITOR connector of the VT-DC2 tuner/camera switcher or the AV OUT connector of another FDM-402A monitor.

- 6 AV OUT connector (AV unconnector)**
To view the same picture and listen to the same sound on another monitor, connect to the 4P MULTI connector of the other monitor using the optional VK-120A camera cable and VMG-140 plug adaptor.
To record the picture and sound being monitored onto a VCR, or to view the same picture and listen to the same sound on another video monitor, connect to the video input and audio input of that equipment using the optional VMG-612MS audio/video connecting cable.

- 7 BRT control**
Turn clockwise for more brightness, and counterclockwise for less brightness.

- 8 CONTR control**
Turn clockwise to increase the picture contrast, and counterclockwise to decrease it.

7

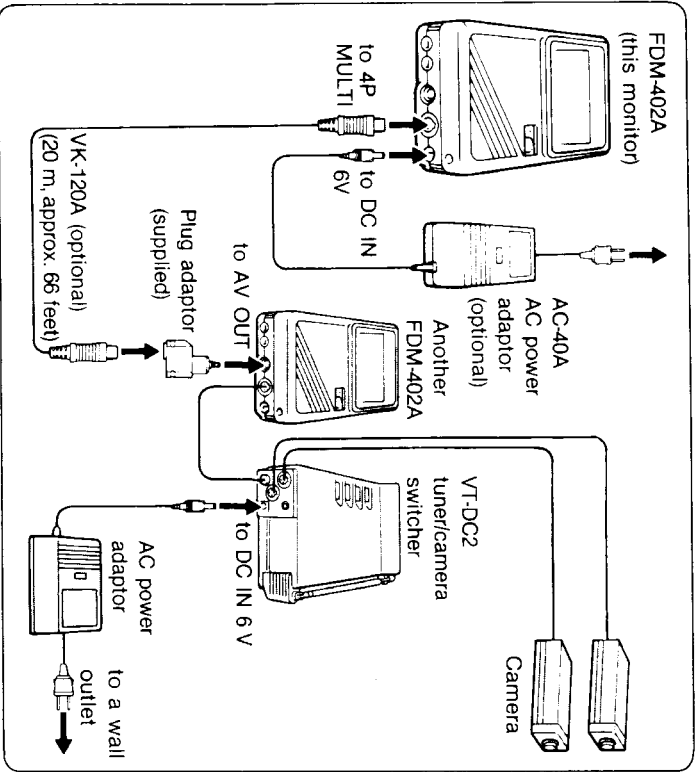
CONNECTION

Notes on connection

- The plugs should be fully inserted into the connectors or jacks. A loose connection may cause the system to malfunction.
- The connection to a wall outlet should be made last.

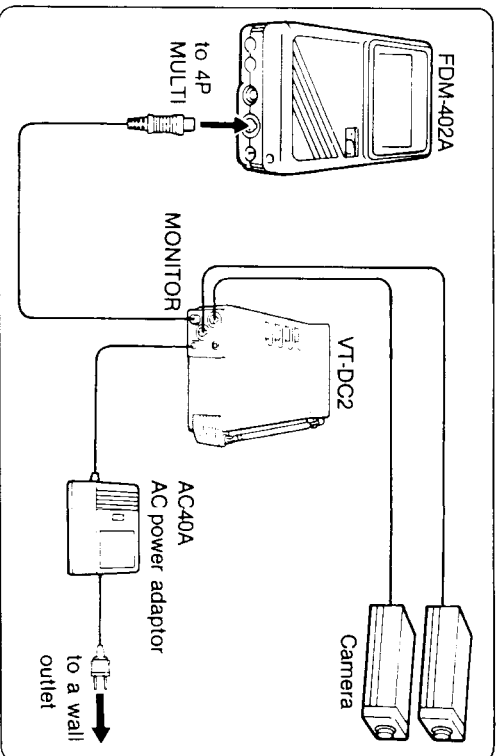
CONNECTING TO ANOTHER FDM-402A

—to use as an additional monitor of the camera and monitor system



- The illustration shows the HNS-22A camera and monitor system.

CONNECTING TO THE VT-DC2 TUNE/CAMERA SWITCHER

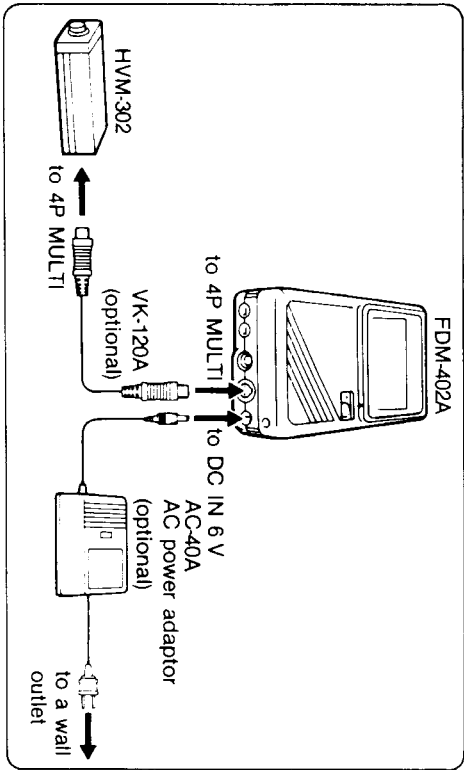


For the entire system connection, refer to the instruction manual provided with the VT-DC2.

Note

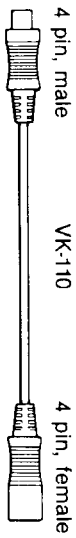
When the monitor is connected to the VT-DC2 tuner/camera switcher, the power should be supplied to the monitor through the VT-DC2. Do not connect the AC power adaptor or car battery cord to the DC IN 6 V jack of the monitor.

CONNECTING TO THE HVM-302 BLACK AND WHITE CAMERA



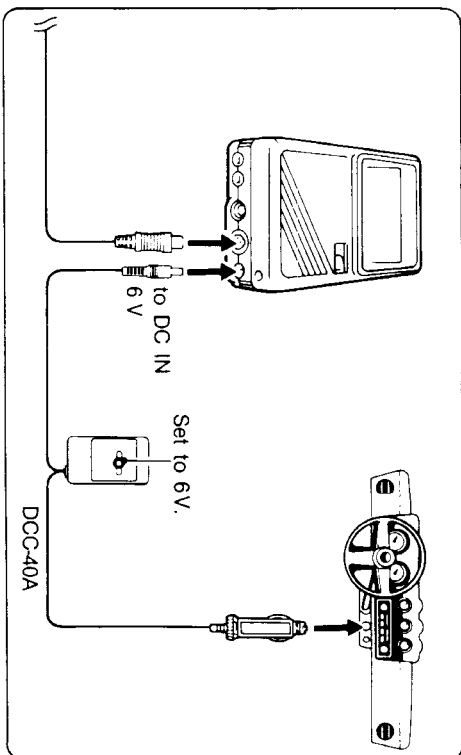
To extend the cable

The distance between the monitor and the VT-DC2 or another FDM-402A can be increased to 60 m (approx. 200 feet) by using four VK-110 camera extension cables (optional).



TO OPERATE THE MONITOR WITH A CAR BATTERY

Use the optional DCC-40A car battery cord.



Note

Use only the recommended AC power adaptor or car battery cord manufactured by Sony. Polarity of the plugs of other manufacturers may be different.

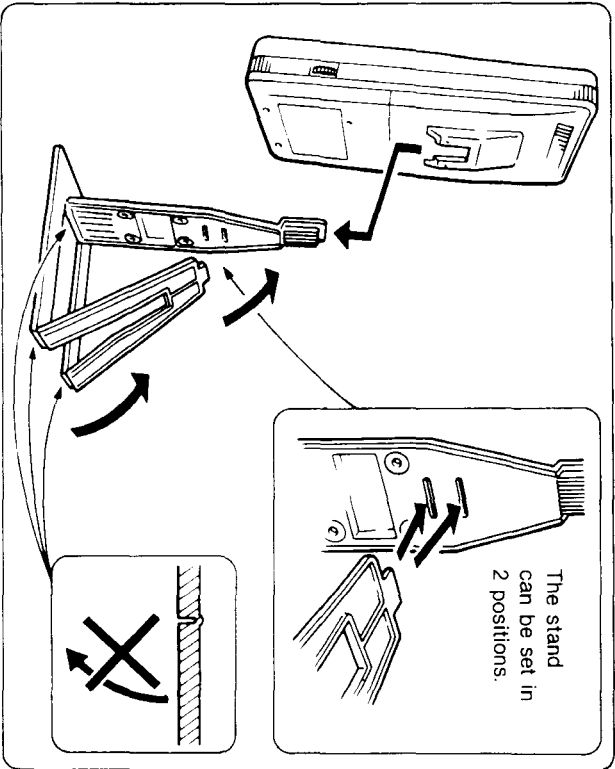


Polarity of Sony plug

MONITOR PLACEMENT

ON THE STAND

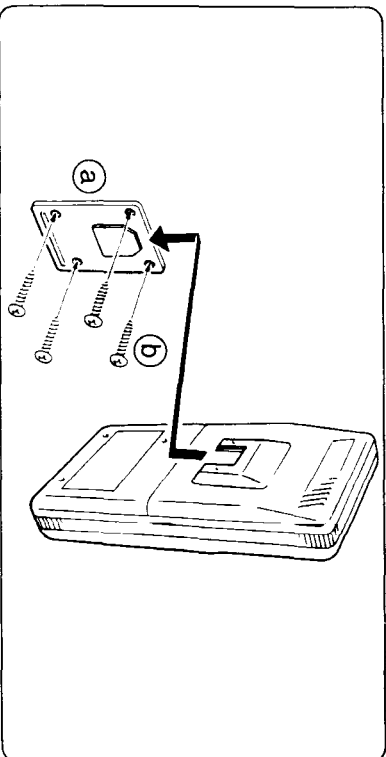
Caution Do not bend the flaps or folded parts forcibly. If you bend them in the wrong direction, the stand may break.



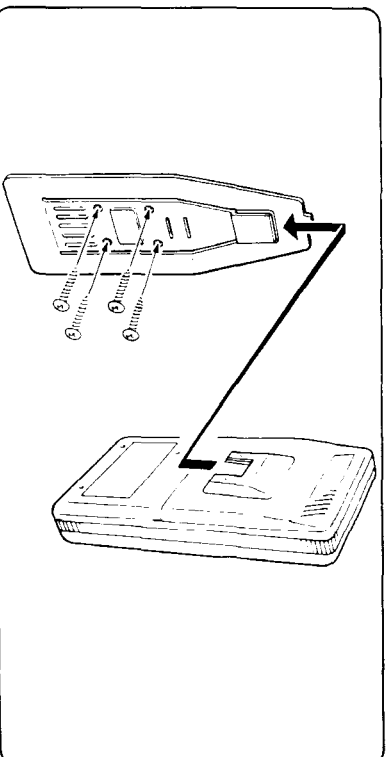
ON THE WALL

Parts and tool required:

- Ⓐ Wall plate
- Ⓑ Screws in the vinyl bag of the wall plate P4 x 16
- Ⓒ Phillips head screwdriver (6 mm dia.)



- If the wall is masonry, use suitable masonry screws.
- The stand can also be attached on the wall using the same screws above.



OPERATION

To turn on/off the monitor

Depress the POWER switch (\square ON). To turn it off, press the POWER switch again (\square OFF).

When this monitor is connected to another monitor and used as an additional monitor of the camera and monitor system, the same picture and sound will be obtained as those on the connected monitor.

When this monitor is connected directly to the VT-DC2

The POWER switch on this monitor does not function. The monitor is turned on automatically when the CAMERA 1, CAMERA 2 or TUNER switch on the VT-DC2 is depressed, and is turned off when the POWER switch on the VT-DC2 is depressed (\square OFF).

Picture and sound adjustment

Adjust the picture contrast, brightness and sound volume with the CONTR, BRT and VOL controls respectively.

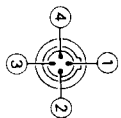
SPECIFICATIONS

TV system
Picture tube

Speaker

Audio output
Input

Outputs



EIA standards
Flat black-and-white

4-inch (10 cm) picture measured diagonally
Approx. 3.6 cm (1.5 inches) dia.
0.05 W (7.2 ohms)

4P MULTI connector:

① 6 V DC (output) ② Video input: 1.0 V p-p,
75 ohms, sync negative ③ Ground ④ Audio input:
-5 dBs (436 mVrms) more than 30 kilohms

AV OUT (AV uniconnector)

Video output: 1.0 V p-p; 75 ohms, sync negative
Audio output: -5 dBs (436 mVrms), less than
10 kilohms

Earphone jack (minijack)

6 V DC:

DC IN 6 V jack accepts: optional AC-40A AC power
adaptor for use on 120 V AC, 60 Hz
or optional DCC-40A car battery cord for use on
12 V

Approx. 3.3 W

Approx. 110 × 210 × 46 mm (w/h/d)
(4 3/8 × 8 3/8 × 1 3/16 inches)

Approx. 720 g (1 lb 9 oz)

Optional accessories

AC power adaptor AC-40A
Camera cable VK-120A
Camera extension cable VK-110
Audio/video connecting cable
Car battery cord DCC-40A
Earphone

Design and specifications are subject to change without notice.