

SONY

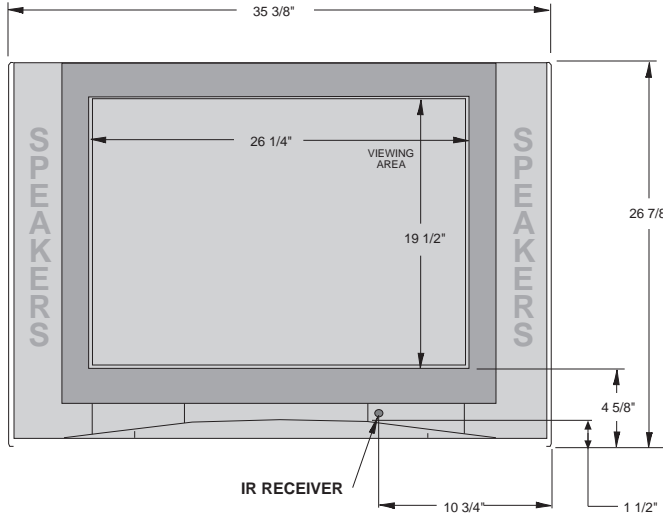
KV-32FS320

RM-Y180 REMOTE CONTROL

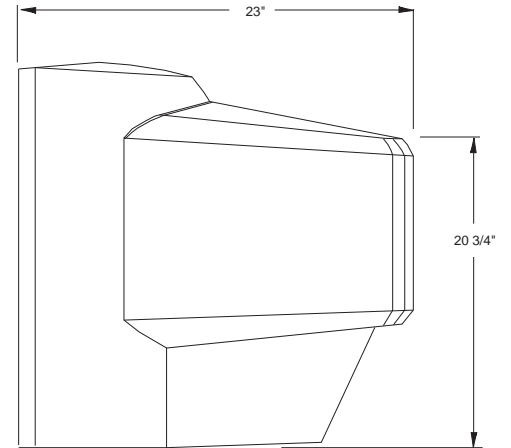
DESCRIPTION: 32" Wega®
DIMENSIONS Monitor/Receiver
(WHD): 35 3/8" x 26 7/8" x 23"
WEIGHT: 167 lbs

POWER REQUIREMENTS: 120VAC
60Hz
POWER CONSUMPTION: 200w
1w(stby)

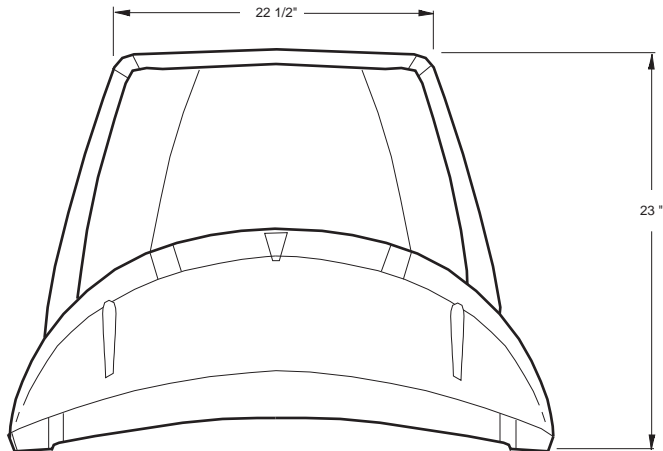
FRONT VIEW



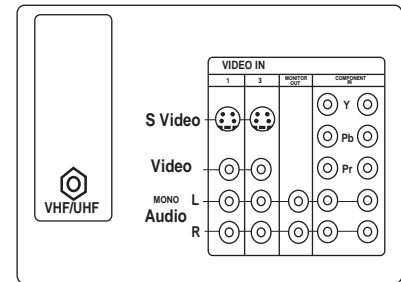
SIDE VIEW



TOP VIEW



JACK PACK



NOTE :

WHERE THERE ARE CLOSE TOLERANCES INVOLVED IN CABINET BUILDING OR APPLICATIONS WHICH REQUIRE A GREAT DEGREE OF PRECISION WE RECOMMEND THAT THE PRODUCT ITSELF BE USED TO MAKE THE ACTUAL MEASUREMENTS. SONY WILL NOT BE RESPONSIBLE FOR INACCURACIES IN THE DESIGN OR MANUFACTURE OF ENCLOSURES .