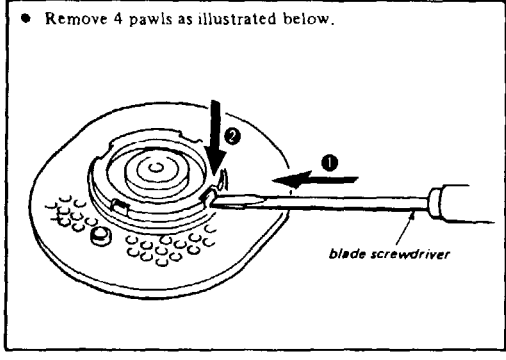


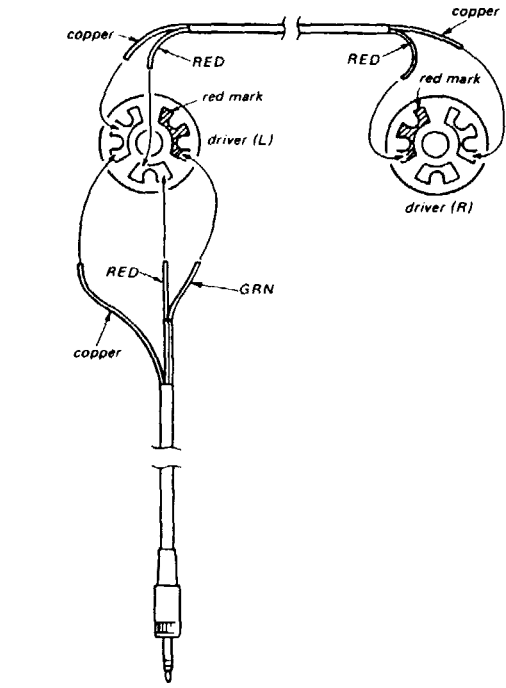
SERVICE MANUAL

1. DISASSEMBLY

Note: Follow the disassembly procedure in the numerical order given.



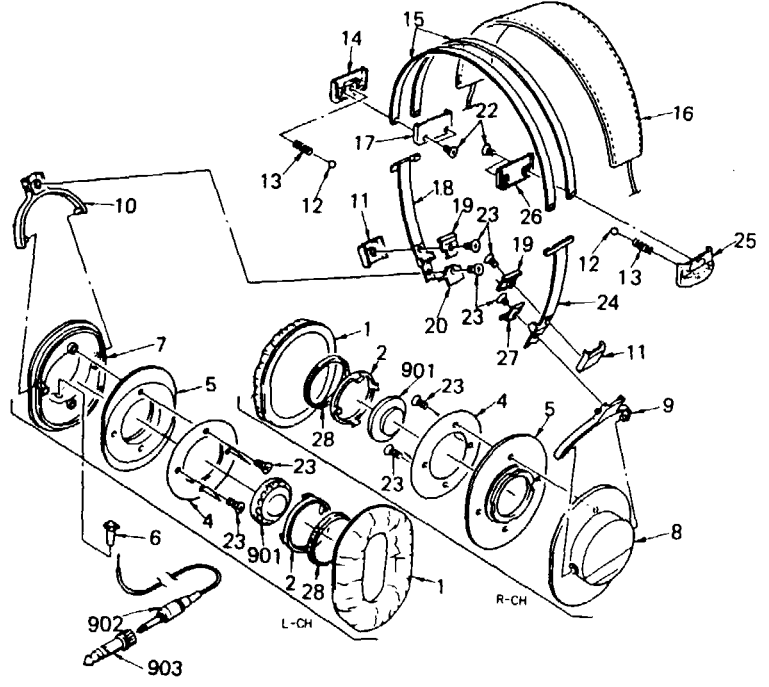
2. MOUNTING DIAGRAM



3. EXPLODED VIEW AND PARTS LIST

NOTE:

- The mechanical parts with no reference number in the exploded views are not supplied.
- The construction parts of an assembled part are indicated with a collation number in the remark column.
- Items marked "*" are not stocked since they are seldom required for routine service. Some delay should be anticipated when ordering these items.
- Due to standardization, parts with part number suffix .XX and .X may be different from the parts specified in the components used on the set.
- Color Indication of Appearance Parts Example: (RED)... KNOB, BALANCE (WHITE) Cabinet's Color Parts' Color



No.	Part No.	Description	Remarks
1	X-2113-103-1	PAD ASSY, EAR	
2	2-113-129-01	STOPPER, DRIVER	
4	2-113-152-02	REGISTER, FRONT	
5	*2-113-140-01	PLATE, FRONT	
6	2-113-137-01	BUSHING	
7	X-4941-333-1	HOUSING (LEFT) ASSY	
8	X-4941-334-1	HOUSING (RIGHT) ASSY	
9	2-113-133-11	HANGER (RIGHT)	
10	2-113-132-11	HANGER (LEFT)	
11	2-113-134-11	CASE, HINGE	
12	7-671-113-01	STEEL, BALL 3	
13	2-113-146-01	SPRING, COMPRESSION	
14	X-2113-116-1	CASE (LEFT) ASSY, CLICK	
15	*2-113-122-01	BAND, HEAD	
16	X-2113-112-1	CUSHION ASSY, HEAD	
17	*2-113-124-11	LID (LEFT), CLICK CASE	
18	*X-2113-101-1	SLIDER (LEFT) ASSY	
19	*2-113-123-11	LID, HINGE CASE	
20	2-113-130-11	LID (LEFT), HANGER	
22	7-685-235-29	SCREW +KTP 2.6X10 TYPE2 SLIT	
23	7-685-232-19	SCREW +KTP 2.6X5 TYPE2NON-SLIT	
24	*X-2113-102-1	SLIDER (RIGHT) ASSY	
25	X-2113-115-1	CASE (RIGHT) ASSY, CLICK	
26	*2-113-125-11	LID (RIGHT), CLICK CASE	
27	2-113-131-11	LID (RIGHT), HANGER	
28	2-113-149-01	RING, URETHANE	

ELECTRICAL PARTS		
No.	Part No.	Description
901	1-505-076-11	DRIVER (040F001)
902	1-580-792-21	CORD
903	1-506-589-11	ADAPTOR, PLUG

ACCESSORIES		
	2-113-147-11	SOFT CASE