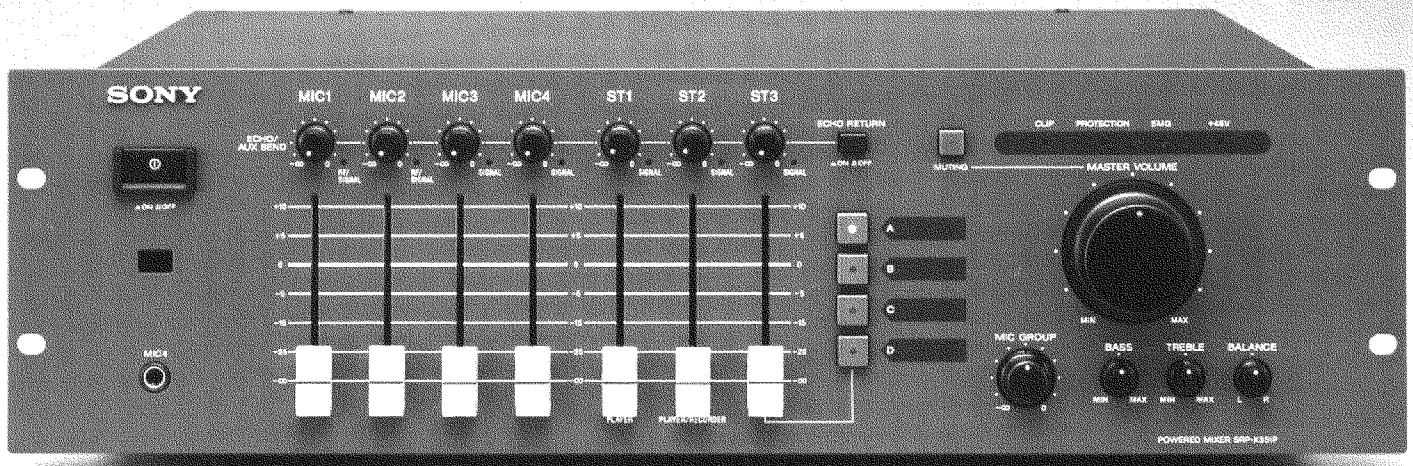


SONY®

POWERED MIXER SRP-X351P

The SRP-X351P Powered Mixer contains all the features for a wide range of applications — simply add the loudspeakers. Easy to operate, it provides cost-effective A/V facilities in conference, training, presentation and similar environments. With highly flexible audio and video connections, 170W per channel (4 Ω), 125W per channel (8 Ω), stereo power amplifier and comprehensive remote control by both RS-232C and infrared control, the SRP-X351P is ideal for new installations or for upgrading existing A/V systems.



Main Features

1. Four Microphone Inputs

Four balanced microphone inputs are provided via rear-panel XLR connectors.

The fourth input is also accessible via a 1/4-inch jack on the front panel. A sharp cut-off LF filter and a Signal Present LED are provided on all four inputs. 48V phantom powering is available on the XLR connectors.

2. Three Stereo Channels

Three stereo channels are included, with line level inputs.

Channel 3 has four input connections, with input selection made by the four-way A/V selector.

3. Audio Outputs

A new feature is the Mic Group bus. A typical use of this feature is to route selected microphones only to the ceiling speakers of a PA system. An insertion point is provided for an optional equalizer, dynamics control unit or feedback reducer.

An Effects Bus and Stereo Record Bus are included. The Stereo Record Bus feeds both the power amplifiers and the Record output via an equalizer and an insertion point for external signal processing. This means that the stereo Record output can feed external power amplifiers with the same signal as the internal power amplifiers.

4. Video I/O Switching

Four sets of video and S-video inputs are included. Any one set of inputs is selected by the four-way A/V selector and routed to two pairs of outputs, one associated with the stereo Master output and one with the stereo Record output.

5. Optional Wireless Microphone Receivers

Mounting slots are built-in to the rear of the SRP-X351P for two optional Sony Freedom Series™ WRU-801A or WRU-806A Wireless Microphone Receivers. Microphone channels 1 and 2 are selectable to the outputs of these receivers.

9 V DC is provided on the two antenna connectors to power optional Sony AN-820A omni-directional active antennas.

6. Comprehensive Remote Control Features

RS-232C and Sony Control-S remote control connections ports are provided on the rear of the SRP-X351P. A/V Input Selection and Master Volume can be controlled via these ports, or by using the supplied SRP-351RM infrared wireless remote commander.

The power amplifier and Record outputs can be muted in the same way.

7. 170W per Channel Power Output

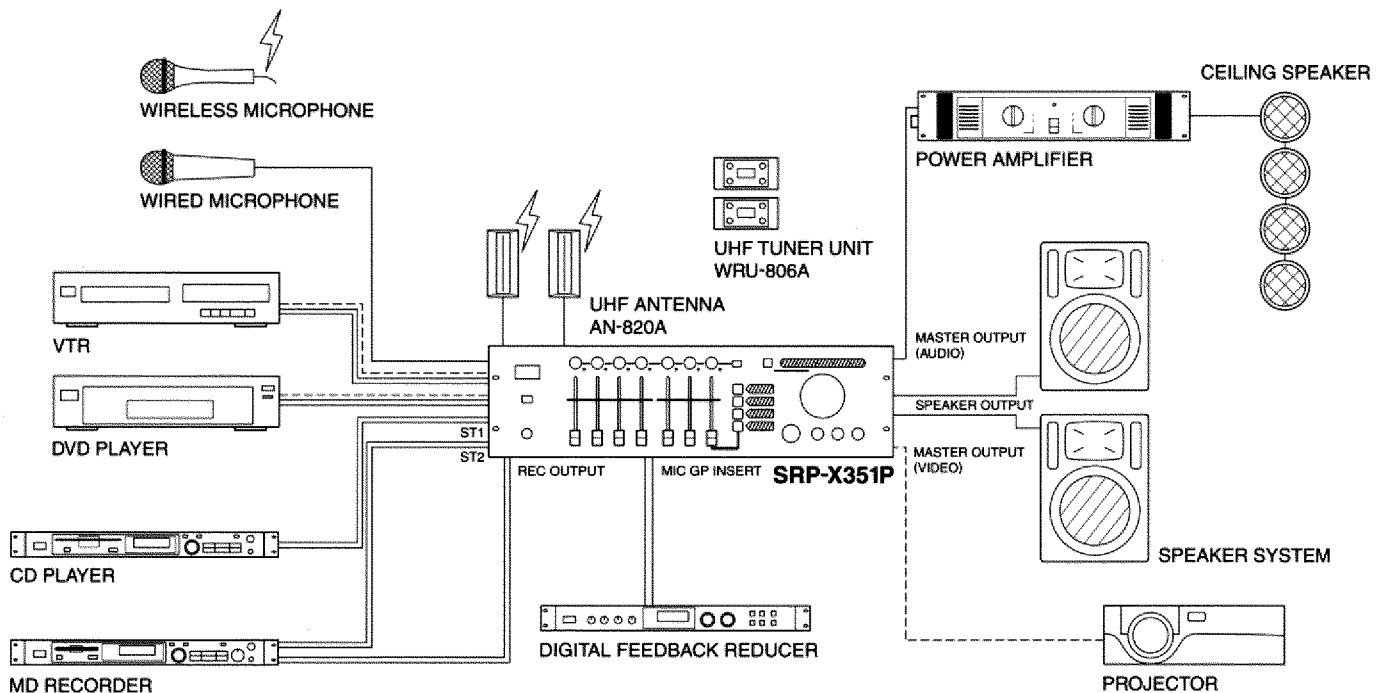
The SRP-X351P includes a low-distortion stereo power amplifier that outputs 170W per channel into 4 ohms.

A loudspeaker protection circuit and Clip indication are provided.

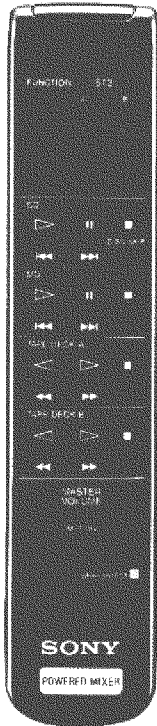
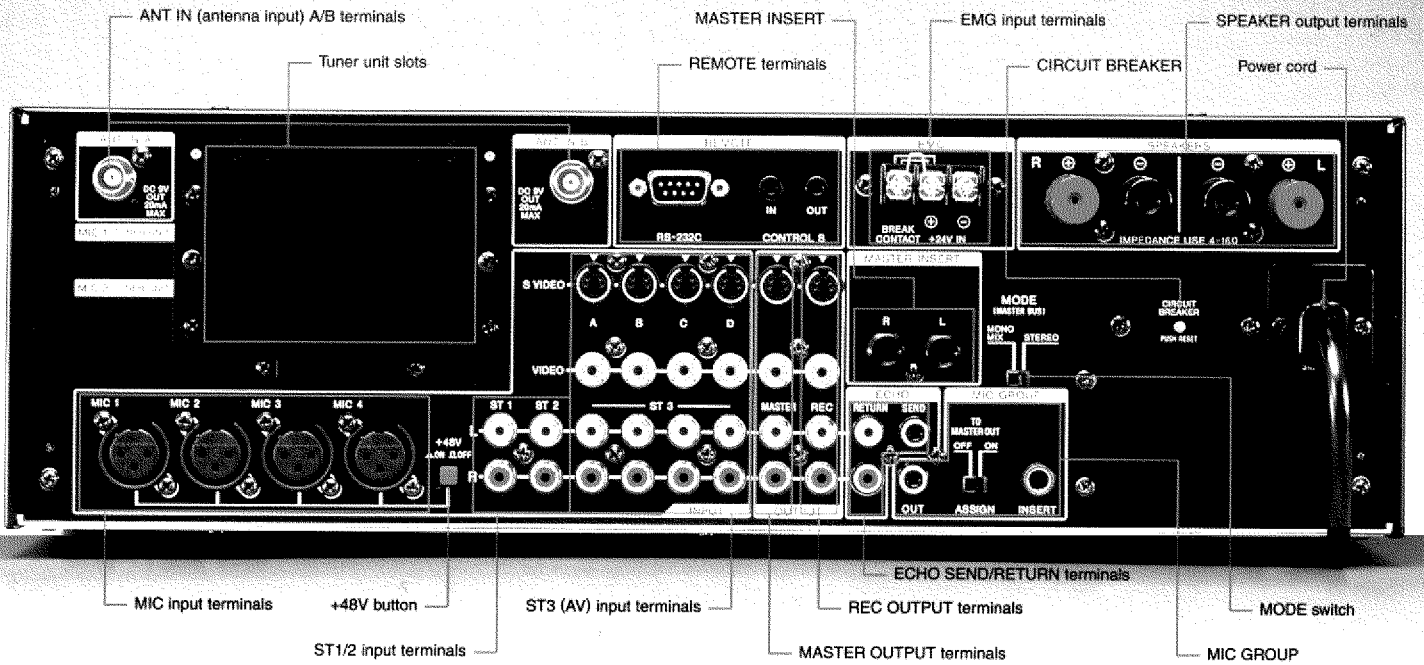
8. Rack Mountable

The SRP-X351P mounts in a 19-inch EIA standard rack and is 3U high.

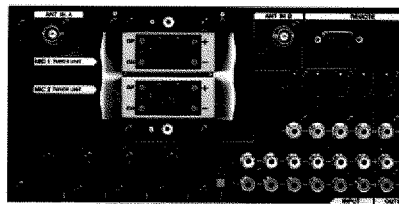
System



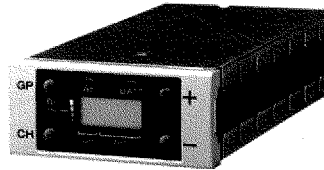
Names and Functions Rear Panel



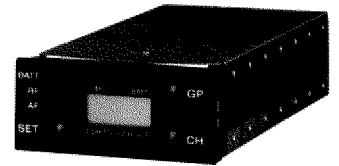
Wireless remote control



Installed tuners

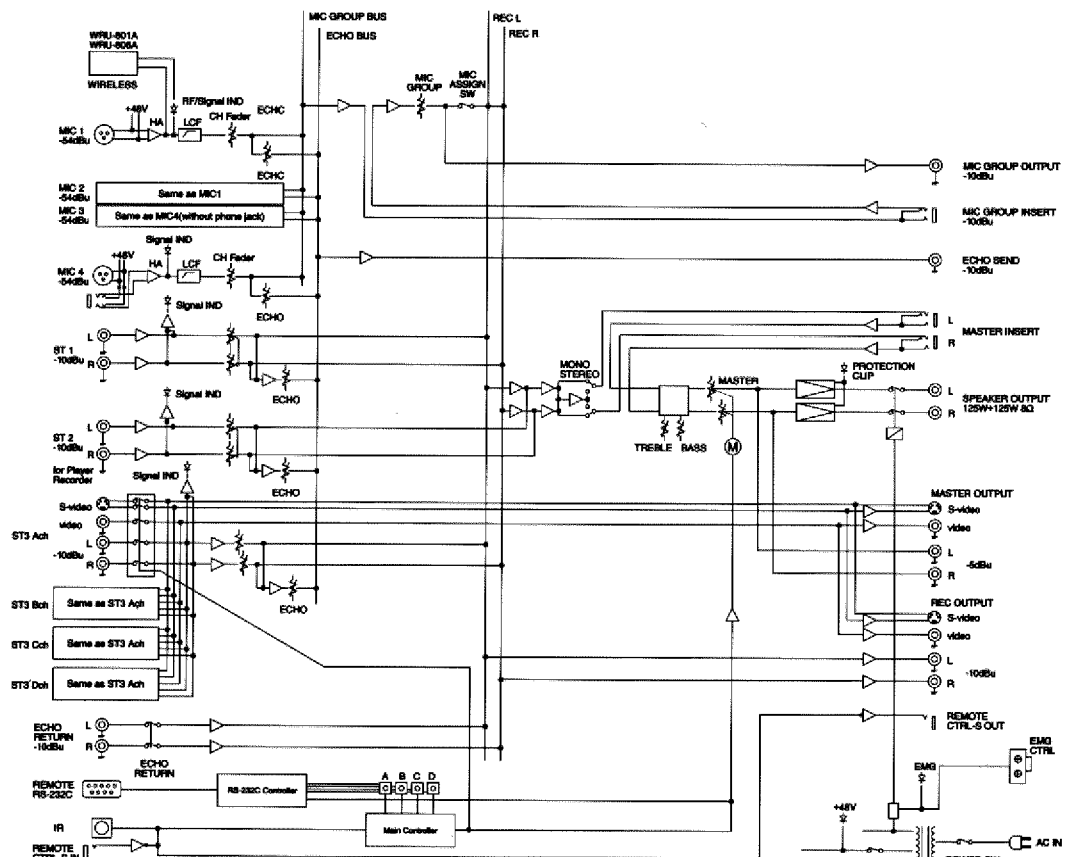


Tuner unit WRU-806A



Tuner unit WRU-801A

Block Diagram





Specifications

AUDIO INPUT/OUTPUT

	Type of connector	Type of circuit	No. of channels	Reference level	Max. level	Impedance (Load impedance)
MIC input 1-4 (Rear)	XLR	Balanced	4	-54dBu	-24dBu	2.2kΩ
MIC input 4 (Front)	1/4-inch jack	Balanced	1	-54dBu	-24dBu	2.2kΩ
ST1 input	Phono	Unbalanced	1(ST)	-10dBu	+10dBu	20kΩ
ST2 input	Phono	Unbalanced	1(ST)	-10dBu	+10dBu	20kΩ
ST3 input (ABCD)	Phono	Unbalanced	4(ST)	-10dBu	+10dBu	20kΩ
Echo return input	Phono	Unbalanced	1(ST)	-10dBu	+10dBu	20kΩ
MIC group output	Phono	Unbalanced	1(ST)	-10dBu	+10dBu	(More than 10kΩ)
Echo send output	Phono	Unbalanced	1(ST)	-10dBu	+10dBu	(More than 10kΩ)
Master output	Phono	Unbalanced	1(ST)	- 5dBu	+15dBu	(More than 10kΩ)
Rec output	Phono	Unbalanced	1(ST)	-10dBu	+10dBu	(More than 10kΩ)
Speakers output	Screw type binding terminal		1(ST)	125W+125W (8Ω 1kHz THD 0.1%) 170W+170W (4Ω 1kHz THD 0.1%)		

INSERT INPUT/OUTPUT

	Type of connector	Type of circuit	No. of channels	Reference level	Impedance (Load Impedance)
Master insert	Phone(Tip:OUT Ring:IN Sleeve:GND)	Unbalanced	2	Input -10dBu Output -10dBu	20kΩ (More than 10kΩ)
MIC insert	Phone(Tip:OUT Ring:IN Sleeve:GND)	Unbalanced	1	Input -10dBu Output -10dBu	20kΩ (More than 10kΩ)

VIDEO INPUT/OUTPUT

	Type of Video	Type of connector	No. of channels
ST3 input (ABCD)	S-VIDEO VIDEO	4-pin mini DIN Phono	4 4
Master output	S-VIDEO	4-pin mini DIN	2
Rec output	VIDEO	Phono	2

S-Video and Video(composite) signal are separated

ELECTRICAL CHARACTERISTICS (AUDIO)

	Conditions	Standards
Frequency response	20-20kHz, 1kHz reference Master out	+0.5, -1dB
THD	EQ FLAT, 20Hz-20kHz input	Less than 0.05%
S/N ratio	ST in, input short, IHF-A	More than 85dB
Residual noise	Master Vol 0, IHF-A, speakers output	Less than 100μV
Crosstalk	1kHz, between L-R channels 1kHz, between input channels	Less than -60dB Less than -80dB
Tone control	Treble 10kHz (Shelving type) Bass 60Hz (peaking type)	+/-12dB +/-12dB

ELECTRICAL CHARACTERISTICS (VIDEO/S-VIDEO)

	Conditions	Standards
Frequency response	60-10MHz, 3.58MHz reference	+0.5, -1dB
S/N ratio	100kHz HPF 5MHz LPF	More than 65dB
Crosstalk	3.58MHz	Less than -50dB

OTHER TERMINALS

Antenna in	BNC, 2-CH, DC 9V out
Phantom power supply	DC 48V, MIC 1-4 XLR connectors

GENERAL

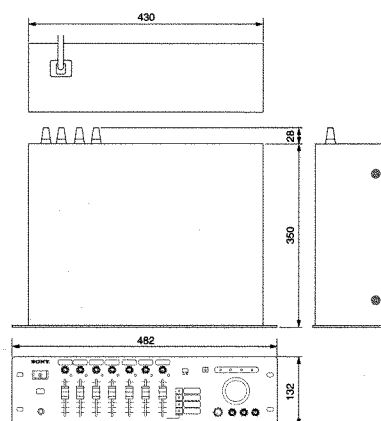
Power consumption	400W
Power requirements	AC 120V, 60Hz
Dimensions	19" x 5.25" x 14 (482(W)x132(H)x350(D)mm)
Weight	Approx. 33 lbs. (15kg)
Supplied accessory	Wireless remote control

OdBu=0.775Vrms

CONTROL TERMINAL

	Type of connector	No. of channels	
RS-232C terminal	D-sub 9pin male	1	
Control-S input	Mini	1	
Control-S output	Mini	1	Through out from input
EMG control	Screw type	1	24V signal control

Dimensions (unit:mm)



Distributed by

Sony Electronics Inc.
One Sony Drive
Park Ridge, NJ 07656
www.sony.com/proaudio

©2001 Sony Electronics Inc. All rights reserved.
Reproduction in whole or in part without written permission is prohibited.
Features and specifications are subject to change without notice.
All non-metric mass and measures are approximate.
Sony is a registered trademark of Sony Corporation.
All other trademarks are property of their respective owners.