



RRUC

Your gear can change, your case shouldn't. This was the thinking behind the design of our RRUC utility case. Designed for all your uniquely shaped units like drum and rhythm machines, groove effects, samplers, effect boxes, compact projectors, CD players, small lasers, headphones and others, the RRUC is built to accommodate all units up to 11 3/4" long, 10" wide, and 4 1/4" high. The RRUC features our exclusive high-density Pick-&-Fit foam which allows you to create the perfect custom storage space for whatever you like. Simply shape the Pick-&-Fit Foam to create your perfect fit. If your needs change, your case doesn't have to; Pick-&-Fit Foam replacements are readily available.

Rugged Road Ready Features

- * Double Anchor Industrial Rivets
- * Industrial Grade Rubber Feet
- * Premium Vinyl Laminated Plywood
- * Tongue and Groove Locking Fit
- * Pick-&-Fit Foam Technology

Shipping Dimensions (inch): 13.4 x 13.4 x 6.3

Shipping Weight (lbs): 10.1 lbs

Product Dimensions (inch): 12.8 x 12.8 x 5.9

Product Weight (lbs): 6.8 lbs

Shipping Dimensions (cm): 34 x 34 x 16

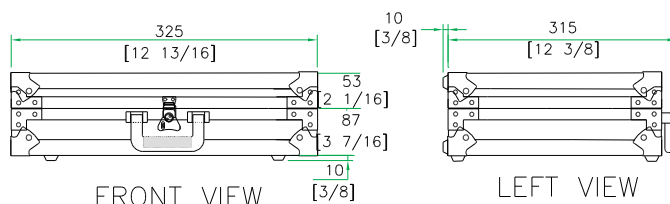
Shipping Weight (kg): 4.6kg

Product Dimensions (cm): 32.5 x 32.5 x 15

Product Weight (kg): 3.1 kg

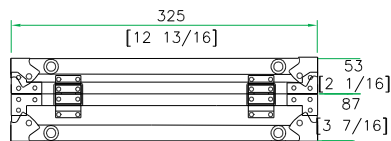
5/05

Small Adjustable Utility Case With Pick- &- Fit Foam

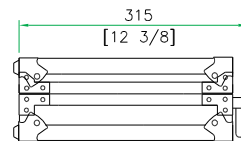


FRONT VIEW

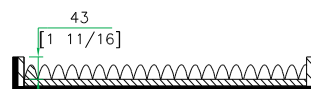
LEFT VIEW



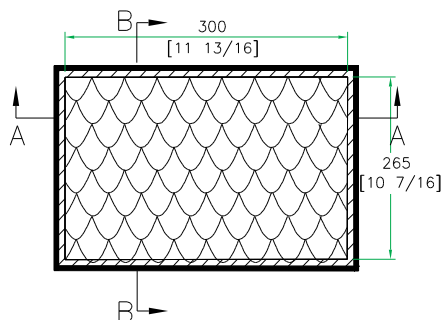
BACK VIEW



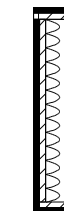
RIGHT VIEW



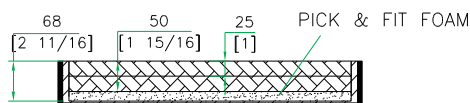
A-A VIEW



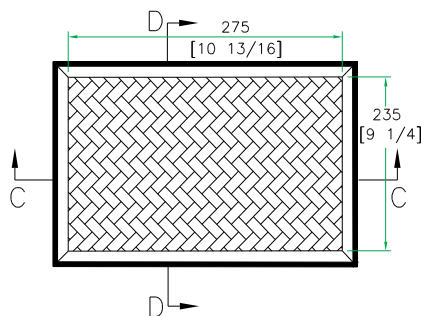
TOP VIEW OF COVER



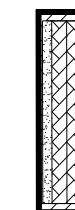
B-B VIEW



C-C VIEW



TOP VIEW OF BASE



D-D VIEW

www.roadreadycases.com

Road Ready Cases 18120 S. Broadway St. Unit B Gardena, Ca. 90248- 3536
 ph: 310 767 1772 fax: 310 767 1798 INSIDEVIEWOFBASE