



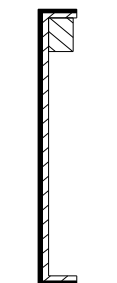
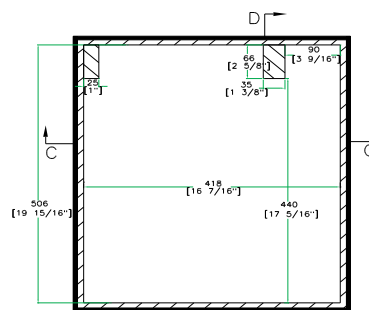
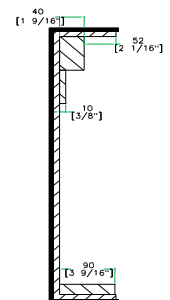
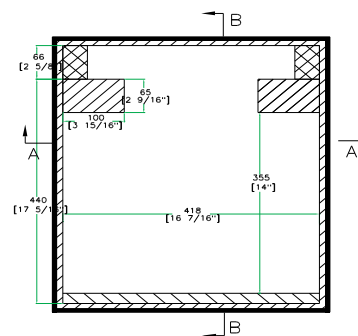
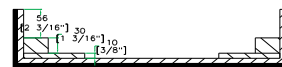
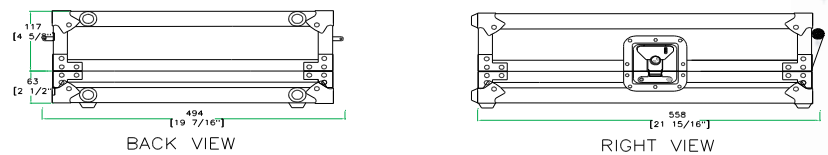
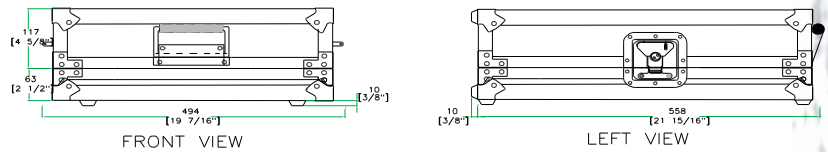
RRUB

Created for the Pro's, the RRUB mixer case is made for the journey and built to hold strong in high stress situations. Designed to fit the Behringer UB1832FX PRO, UB2222FX PRO or UB2442FX PRO mixers, the RRUB features a heavy-duty removable, latchable cover with our No Pressure Design to protect your mixer controls and a unique low profile base design that allows you to access your mixer's rear connection panel without removing your mixer from the case. Tougher than the pavement! That's the idea.

Rugged Road Ready Features

- * Double Anchor Industrial Rivets
- * Recessed, Industrial Grade Latches
- * Spring Loaded Handles
- * Industrial Grade Rubber Feet
- * Premium 3/8" Vinyl Laminated Plywood
- * Tongue and Groove Locking Fit
- * Low Profile Base Design
- * Road Ready Limited Lifetime Warranty

CASE FOR BEHRINGER UB1832FX PRO/UB222FX PRO OR UB2442FX PRO MIXER



www.roadreadycases.com

Road Ready Cases 18120 S. Broadway St. Unit B Gardena, Ca. 90248-3536
 ph: 310 767 1772 fax: 310 767 1798