



RRSTAND

Crafted with an anodized black finish, the RRSTAND is built in true rugged Road Ready style. Designed for hassle free portability and set-up the RRSTAND comes standard with a pole adapter & safety pins. It also includes top mounts for speakers that don't have mounting brackets, so you can use it with virtually any speaker on the market and features smooth operating hardware for hassle free set-up in minutes. Perfect Speaker placement every time!

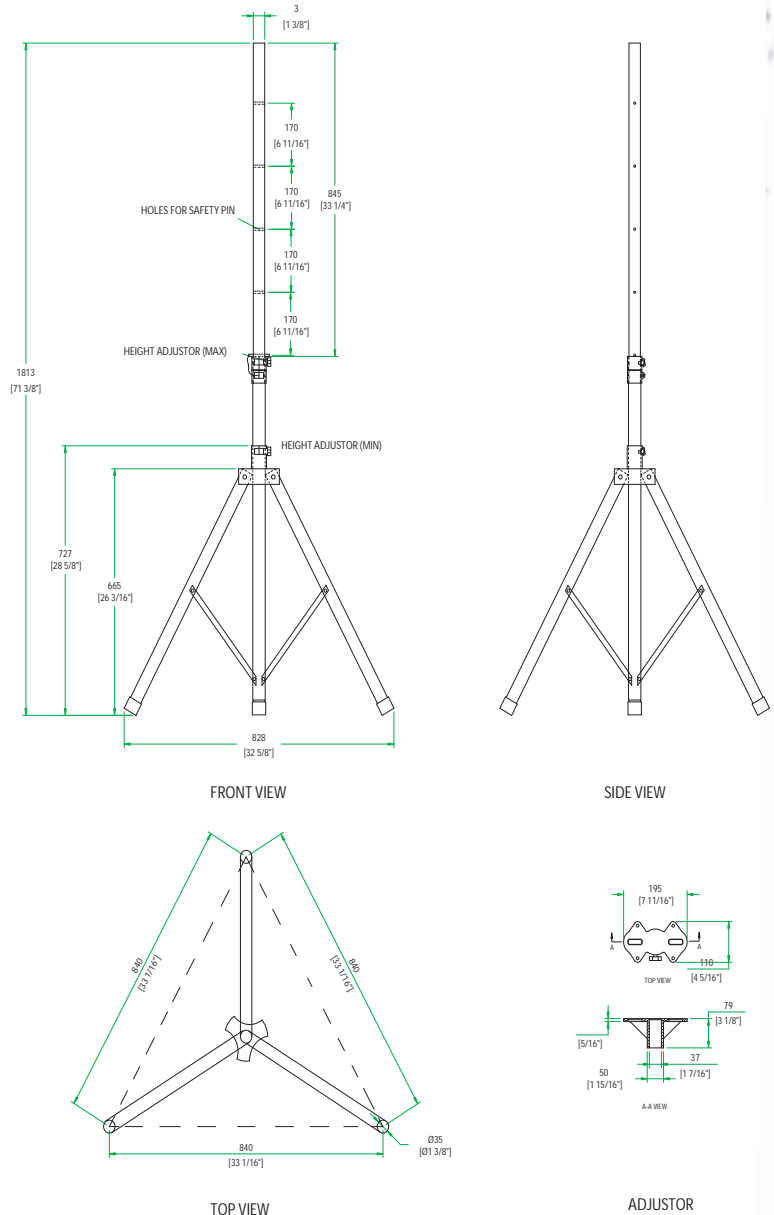
Rugged Road Ready Features

- * Black anodized Finish
- * Easy Set-up and portability

Shipping Dimensions (inch): 46.9 x 14.6 x 10.2
 Shipping Weight (lbs): 8.6
 Product Dimensions (inch): 46.5 x 4.9 x 4.5
 Product Weight (lbs): 7.9
 Shipping Dimensions (cm): 119.5 x 37 x 26
 Shipping Weight (kg): 3.9
 Product Dimensions (cm): 118 x 12.5 x 11.5
 Product Weight (kg): 3.6

5/05

Black Anodized Speaker Stand



www.roadreadycases.com

Road Ready Cases 18120 S. Broadway St. Unit B Gardena, Ca. 90248- 3536
 ph: 310 767 1772 fax: 310 767 1798