



RRMW

Short on Space? No problem we created our patented heavy-duty weight bearing wings to provide all the extra working space you need. Each wing holds up to 40 lbs and gives you additional working space of 20" x 15" per side. Designed to mount easily on the top of your rig when you need them and fold away snugly into any of our slant rack systems (6u and up) when you don't, all rrmw wings come in a 1U metal rack mount storage tray for convenient transport. Your workplace problems solved!

Rugged Road Ready Features

- * Premium 3/8" Vinyl Laminated Plywood Construction
- * Patented Fold-away Design

Shipping Dimensions (inch): 21.1 x 20.1 x 2.9

Shipping Weight (lbs): 17.6

Product Dimensions (inch): 20.7 x 19.5 x 2.3

Product Weight (lbs): 16.5

Shipping Dimensions (cm): 53.5 x 51 x 7.3

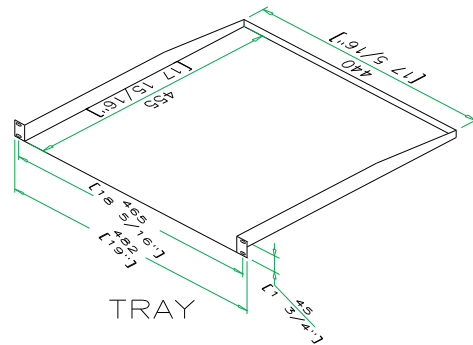
Shipping Weight (kg): 8.0

Product Dimensions (cm): 52.5 x 49.5 x 5.8

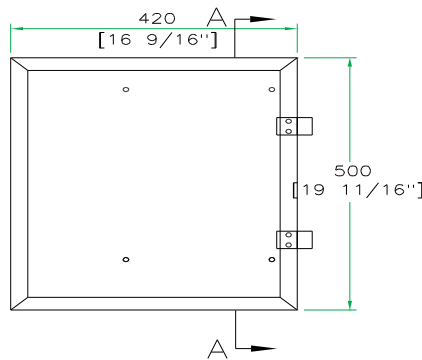
Product Weight (kg): 7.5

3/2005

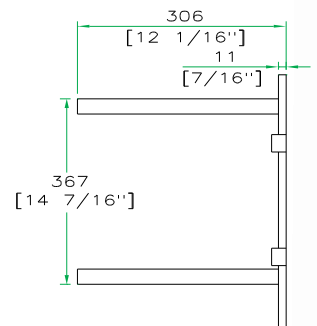
Pair of Side wings w/ 1U Drawer for M- Series Racks (6U and up)



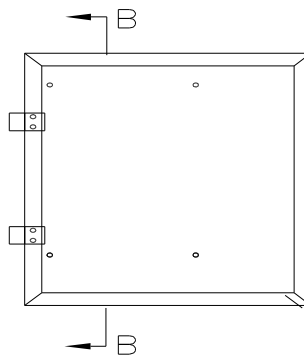
TRAY



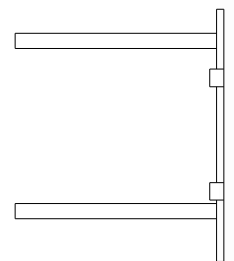
LEFT SIDE TABLE



A-A VIEW



RIGHT SIDE TABLE



B-B VIEW

www.roadreadycases.com

Road Ready Cases 18120 S. Broadway St. Unit B Gardena, Ca. 90248- 3536
 ph: 310 767 1772 fax: 310 767 1798