



RRM8UV

More gear for your green! The RRM8UV features the same smart design as our Deluxe Slant Rack series but is designed for lighter use and a lighter load on your wallet. Designed with a 10U slanted top rack for convenient mixer/CD controller placement and a 8U vertical rack for amp or effect units, this case is built right. The RRM8UV features an 18" rack depth and a heavy-duty Velcro-attached soft cover instead of our traditional hard-top ATA style covers. To make a good thing even better, we even included a unique removable, rear hinged door for easy access to your gear. At last, connections without a hassle. Smart and Simple.

Rugged Road Ready Features

- * Beefy, Stackable Ball Corners
- * Double Anchor Industrial Rivets
- * Recessed, Industrial Grade Latches
- * Recessed, Spring Loaded Handles
- * Industrial Grade Rubber Feet
- * Premium 3/8" Vinyl Laminated Plywood
- * Heavy Duty rack rails
- * Hinged Rear Door
- * Mounting Hardware Included
- * Heavy-Duty Velcro Attached Cover

Shipping Dimensions (inch): 22 x 22.6 x 26.8

Shipping Weight (lbs): 35.2

Product Dimensions (inch): 21.1 x 21.5 x 25.4

Product Weight (lbs): 30.8

Shipping Dimensions (cm): 56 x 57.5 x 68

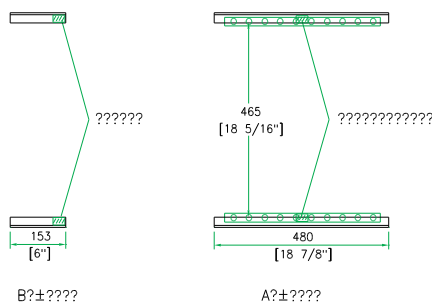
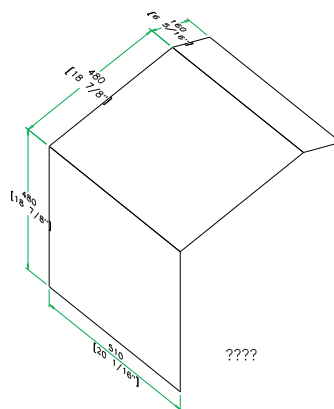
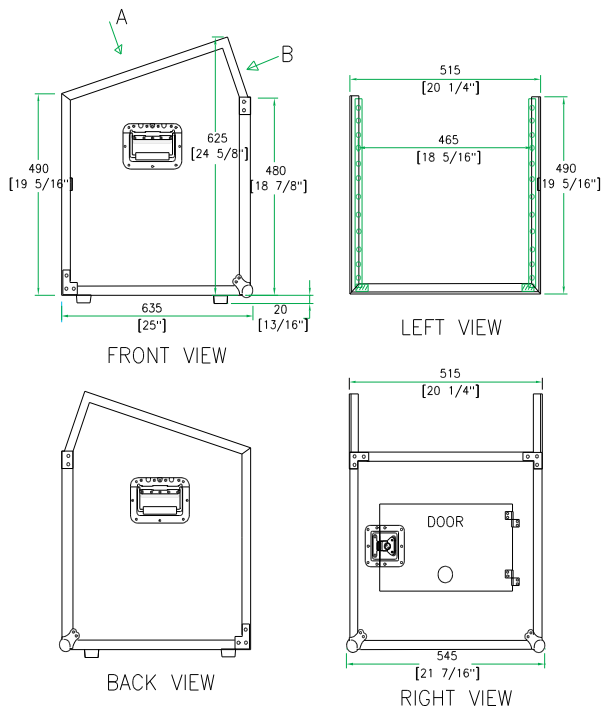
Shipping Weight (kg): 16

Product Dimensions (cm): 53.5 x 54.5 x 64.5

Product Weight (kg): 14

5/05

10U SLANT RACK / 8U VERTICAL RACK CASE WITH SOFT COVER



Need optional Road Ready Accessories to help outfit your Slant Rack? Check out our Road Ready Caster Kit (RRWAD) , Rolling Base with Storage Drawer (RR6WD)

www.roadreadycases.com

Road Ready Cases 18120 S. Broadway St. Unit B Gardena, Ca. 90248- 3536
 ph: 310 767 1772 fax: 310 767 1798