



RRM6UV

More gear for your green! The RRM6UV features the same smart design as our Deluxe Slant Rack series but is designed for lighter use and a lighter load on your wallet. Designed with a 10U slanted top rack for convenient mixer/CD controller placement and a 6U vertical rack for amp or effect units, this case is built right. The RRM6UV features an 18" rack depth and a heavy-duty Velcro-attached soft cover instead of our traditional hard-top ATA style covers. To make a good thing even better, we even included a unique removable, rear hinged door for easy access to your gear. At last, connections without a hassle. Smart and Simple.

Rugged Road Ready Features

- * Beefy, Stackable Ball Corners
- * Double Anchor Industrial Rivets
- * Recessed, Industrial Grade Latches
- * Recessed, Spring Loaded Handles
- * Industrial Grade Rubber Feet
- * Premium 3/8" Vinyl Laminated Plywood
- * Heavy Duty rack rails
- * Hinged Rear Door
- * Mounting Hardware Included
- * Heavy-Duty Velcro Attached Cover

Shipping Dimensions (inch): 22 x 22.6 x 23.2

Shipping Weight (lbs): 32.1

Product Dimensions (inch): 21.1 x 21.5 x 21.9

Product Weight (lbs): 28.2

Shipping Dimensions (cm): 56 x 57.5 x 59

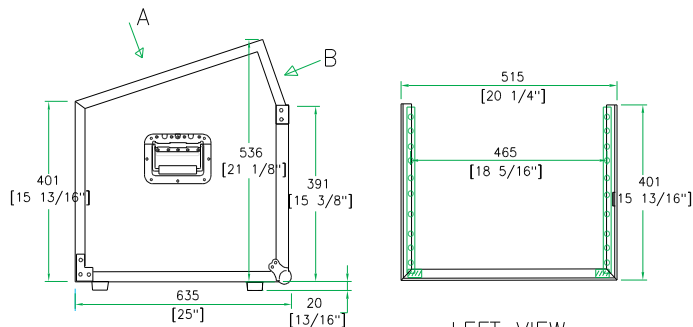
Shipping Weight (kg): 14.6

Product Dimensions (cm): 53.5 x 54.5 x 55.6

Product Weight (kg): 12.8

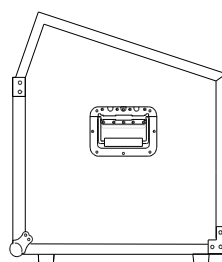
5/05

10U SLANT RACK / 6U VERTICAL RACK CASE WITH SOFT COVER

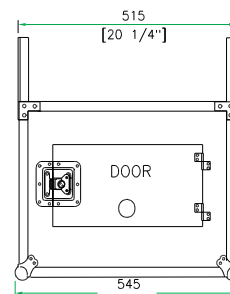


FRONT VIEW

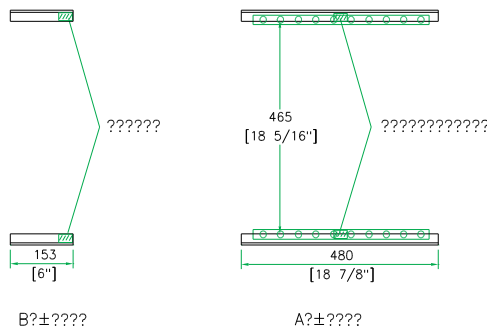
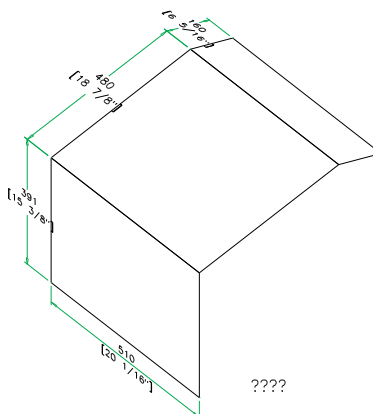
LEFT VIEW



BACK VIEW



RIGHT VIEW



Need optional Road Ready Accessories to help outfit your Slant Rack? Check out our Road Ready Caster Kit (RRWAD) , Rolling Base with Storage Drawer (RR6WD)

www.roadreadycases.com

Road Ready Cases 18120 S. Broadway St. Unit B Gardena, Ca. 90248- 3536
 ph: 310 767 1772 fax: 310 767 1798