



# RRM19

Created for the Pro's, the RRM19 mixer case is made for the journey and built to hold strong in high stress situations. Designed to fit 19" mixers including the Mackie 1604 and 1642, the RRM19 features a heavy-duty removable, latchable cover and adjustable foam lining for the perfect custom fit. We also created the RRM19 with a unique low profile base design that allows you to access the mixer's rear connection panel without removing your mixer from the case. Tougher than the pavement! That's the idea.

## Rugged Road Ready Features

- \* Beefy, Stackable Ball Corners
- \* Double Anchor Industrial Rivets
- \* Recessed, Industrial Grade Latches
- \* Recessed, Spring Loaded Handles
- \* Industrial Grade Rubber Feet
- \* Premium 3/8" Vinyl Laminated Plywood
- \* Tongue and Groove Locking Fit
- \* Low Profile Base Design
- \* ATA 300 Rating
- \* Road Ready Limited Lifetime Warranty

Shipping Dimensions (inch): 24" x 22.1" x 11.4"

Shipping Weight (lbs): 29.5 lbs

Product Dimensions (inch): 23.6" x 21.7" x 10.8"

Product Weight (lbs): 25.7 lbs

Shipping Dimensions (cm): 61 x 56.2 x 29

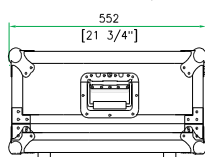
Shipping Weight (kg): 13.4 kg

Product Dimensions (cm): 60 x 55.2 x 27.4

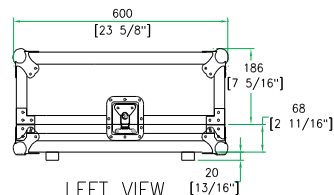
Product Weight (kg): 11.7 kg

5/2005

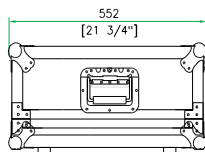
## Universal 19" Mixer Case ( fits most 19" non-rackmountable mixers)



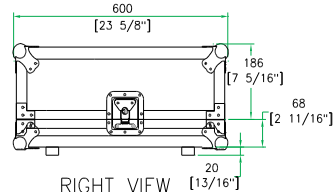
FRONT VIEW



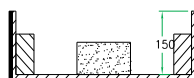
LEFT VIEW



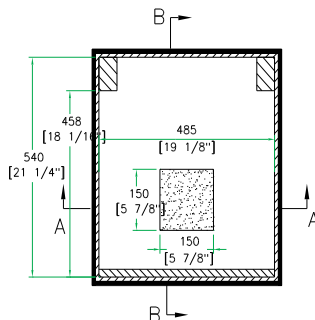
BACK VIEW



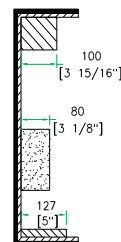
RIGHT VIEW



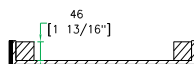
A-A VIEW



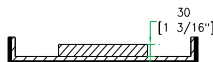
TOP VIEW OF COVER



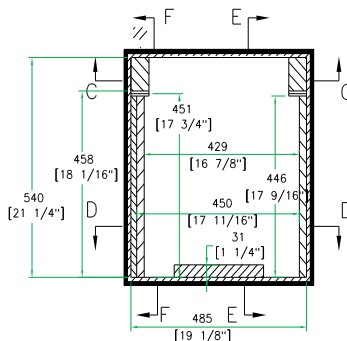
B-B VIEW



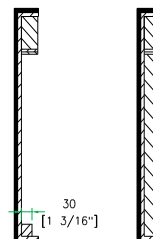
C-C VIEW



D-D VIEW



TOP VIEW OF BASE



E-E VIEW F-F VIEW

[www.roadreadycases.com](http://www.roadreadycases.com)

Road Ready Cases 18120 S. Broadway St. Unit B Gardena, Ca. 90248-3536  
 ph: 310 767 1772 fax: 310 767 1798