



# RRM10U

Good construction doesn't go out of style. That's our MO and that's why we create cases that are done right. Designed with a 10U slanted top rack for convenient mixer/CD controller placement and a 10U vertical rack for amp or effect units, the RRM10U is built right. The RRM10U features an 18" mountable rack depth and 2 heavy-duty removable covers. To make a good thing even better we added a unique removable, rear hinged door for easy access to your gear. At last, connections without a hassle.

## Rugged Road Ready Features

- \* Beefy, Stackable Ball Corners
- \* Double Anchor Industrial Rivets
- \* Recessed, Industrial Grade Latches
- \* Recessed, Spring Loaded Handles
- \* Industrial Grade Rubber Feet
- \* Premium 3/8" Vinyl Laminated Plywood
- \* Tongue and Groove Locking Fit
- \* Heavy Duty Rack Rails
- \* Hinged Rear Door
- \* Mounting Hardware Included
- \* ATA 300 Rating
- \* Road Ready Limited Lifetime Warranty

Shipping Dimensions ( inch): 24.2 x 21.9 x 30.1

Shipping Weight ( lbs): 55

Product Dimensions (inch): 23.9 x 21.5 x 29.3

Product Weight (lbs): 50.2

Shipping Dimensions ( cm): 61.5 x 55.5 x 76.5

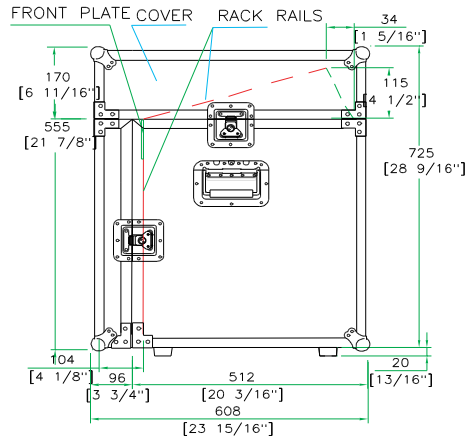
Shipping Weight ( kg): 25

Product Dimensions (cm):60.8 x 54.5 x 74.5

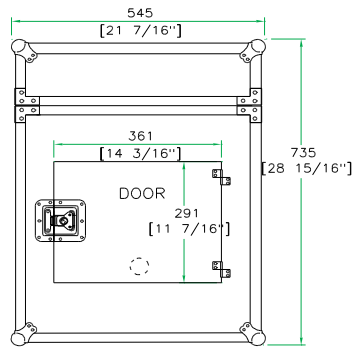
Product Weight (kg): 22.8

5/2005

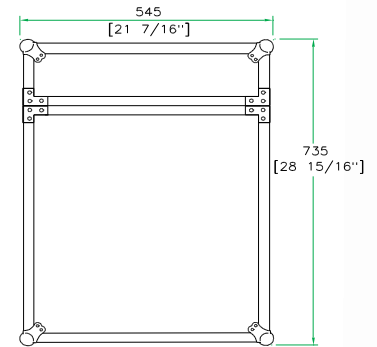
## 10U Slant /10U Vertical Rack Case



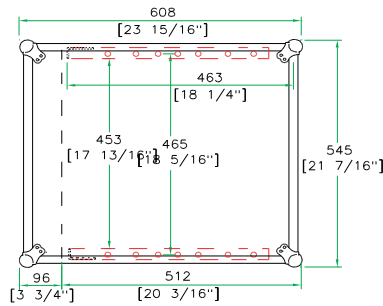
SIDE VIEW



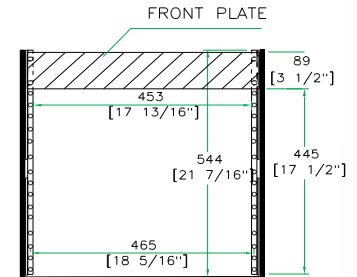
BACK VIEW



FRONT VIEW



TOP VIEW



INSIDE VIEW

Need optional Road Ready Accessories to help outfit your Slant Rack? Check out our Road Ready Caster Kit (RRWAD) , Rolling Base with Storage Drawer (RR6WD) and Road Ready Side Wings (RRMW)

[www.roadreadycases.com](http://www.roadreadycases.com)

Road Ready Cases 18120 S. Broadway St. Unit B Gardena, Ca. 90248- 3536  
 ph: 310 767 1772 fax: 310 767 1798