



RRLUC

Your gear can change, your case shouldn't. This was the thinking behind the design of our RRLUC utility case. Designed for all your uniquely shaped units like digital studio work stations, groove boxes, CD recorders, mixers, wireless mic systems, samplers, CD players, multimedia projectors and others, the RRLUC is built to accommodate all units up to 21 3/4" long, 13" wide, and 5" high. The RRLUC features our exclusive high-density Pick-&-Fit foam which allows you to create the perfect custom storage space for what-ever you like. Simply shape the Pick-&-Fit foam to create your perfect fit. If your needs change, your case doesn't have to; Pick-&-Fit foam replacements are readily available.

Rugged Road Ready Features

- * Double Anchor Industrial Rivets
- * Recessed, Industrial Grade Latches
- * Spring Loaded Handle
- * Industrial Grade Rubber Feet
- * Premium Vinyl Laminated Plywood
- * Tongue and Groove Locking Fit
- * Pick-&-Fit Foam

Shipping Dimensions (inch): 23.6 x 15.7 x 7.1

Shipping Weight (lbs): 15.2 lbs

Product Dimensions (inch): 23 x 15.4 x 6.5

Product Weight (lbs): 11.2 lbs

Shipping Dimensions (cm): 60 x 40 x 18

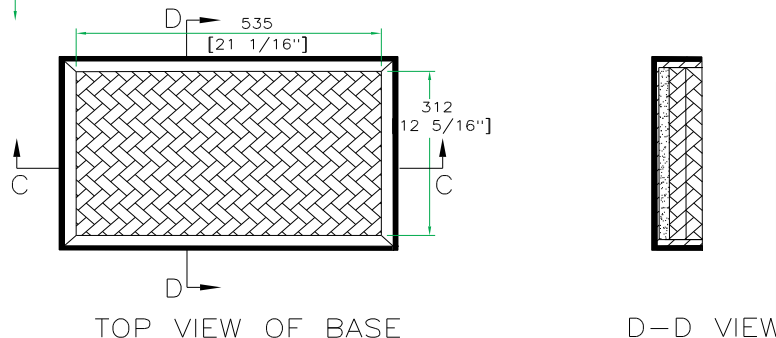
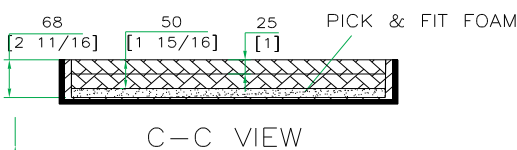
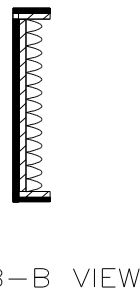
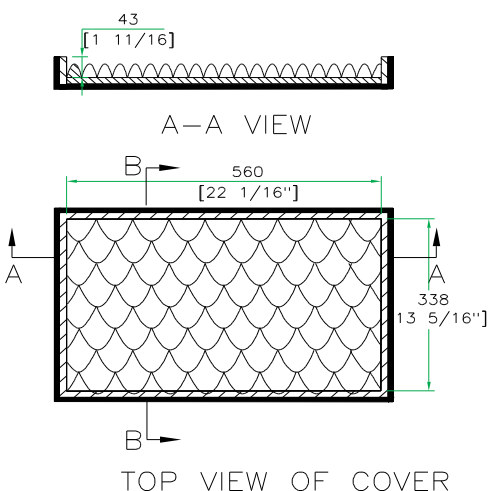
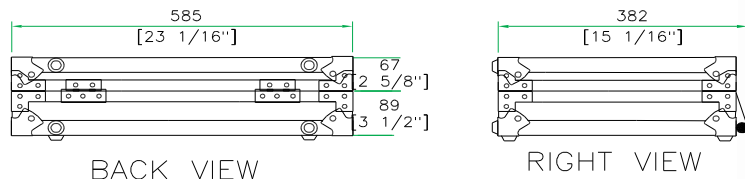
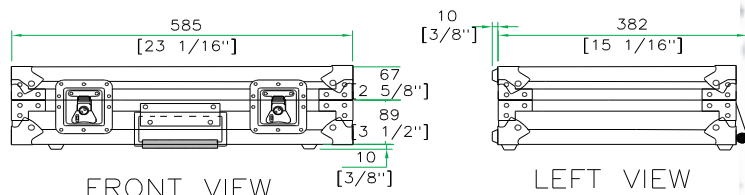
Shipping Weight (kg): 6.9 kg

Product Dimensions (cm): 58.5 x 39.2 x 16.6

Product Weight (kg): 5.1 kg

5/05

Large Adjustable Utility Case With Pick- &- Fit Foam



www.roadreadycases.com

Road Ready Cases 18120 S. Broadway St. Unit B Gardena, Ca. 90248- 3536
 ph: 310 767 1772 fax: 310 767 1798 INSIDEVIEWOFBASE